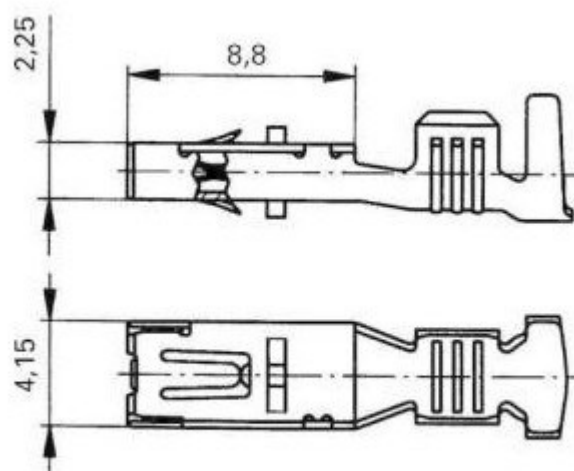


# M 0352520



Base body material:	CuSn / Sn (copper-tin / tin)
Fin material (plug connector):	CuSn / Sn (copper-tin / tin)
Active contact zones:	8
Socket Height [mm]:	0,8
Surface:	Tin-plated
Cross Section [mm <sup>2</sup> ] from:	0,5
Cross Section [mm <sup>2</sup> ] to:	0,75
Socket Width [mm]:	2,8

