

M 1-1564542-1



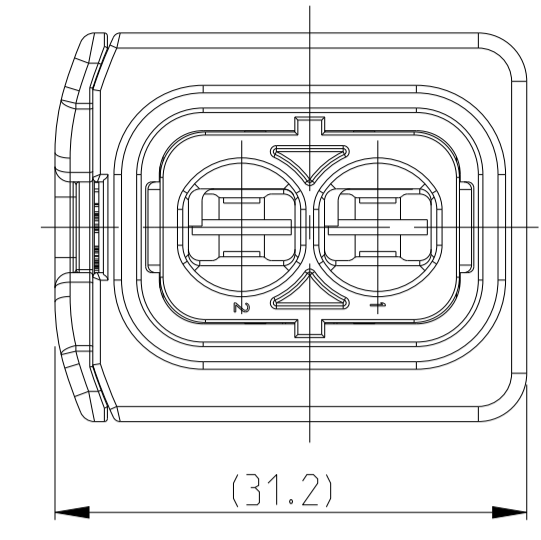
Proseguire nella pagina successiva per visualizzare la scheda tecnica dei componenti

Revisione	Prodotto
REV.00 14/04/2026	OEM

1-1564542-1 AS SHOWN
1-1564542-1 wie gezeigt

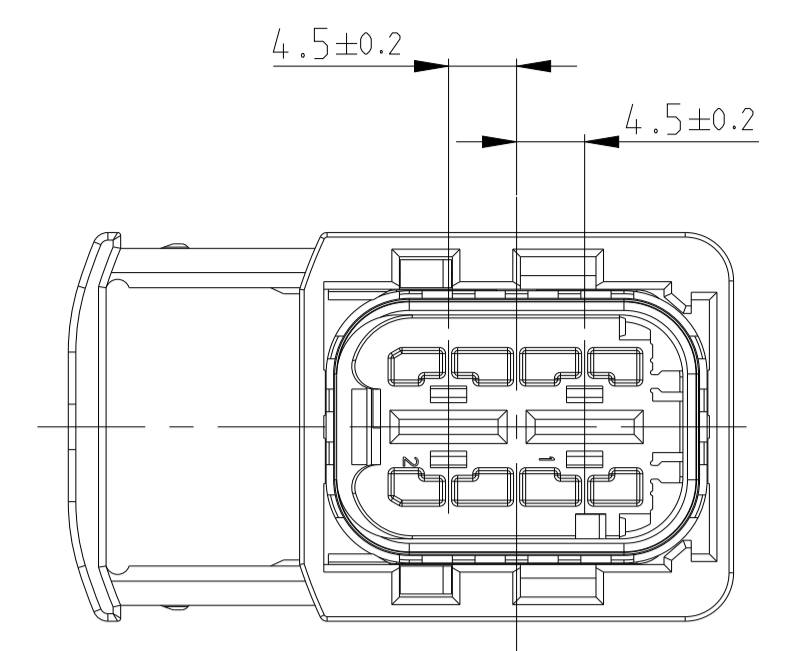
REV. NO.	DATE	BY	CHKD.	DESCRIPTION
J1	15MAY2015	SK	Krauss	ECR-15-007756
J2	24AUG2021	DRK	AW	ECR-21-111166
J3	02MAR2022	NS	AW	PCN-22-132727
J4	17JUL2023	DM	AW	REVISED PER PCN-23-181149

SLIDE IN LOCKED POSITION
Schieber in Verriegelungsposition



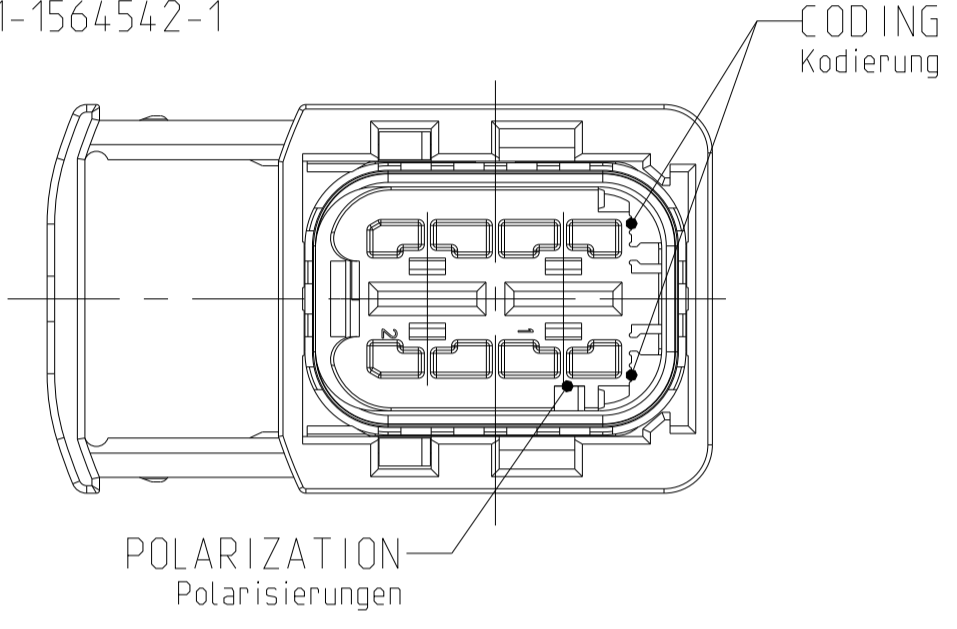
DELIVERY CONDITION:
Lieferzustand:

SECONDARY LOCKING AND SLIDE
IN PRE-LOCKED POSITION
2. Kontaktsicherung und Schieber
in Vorraststellung



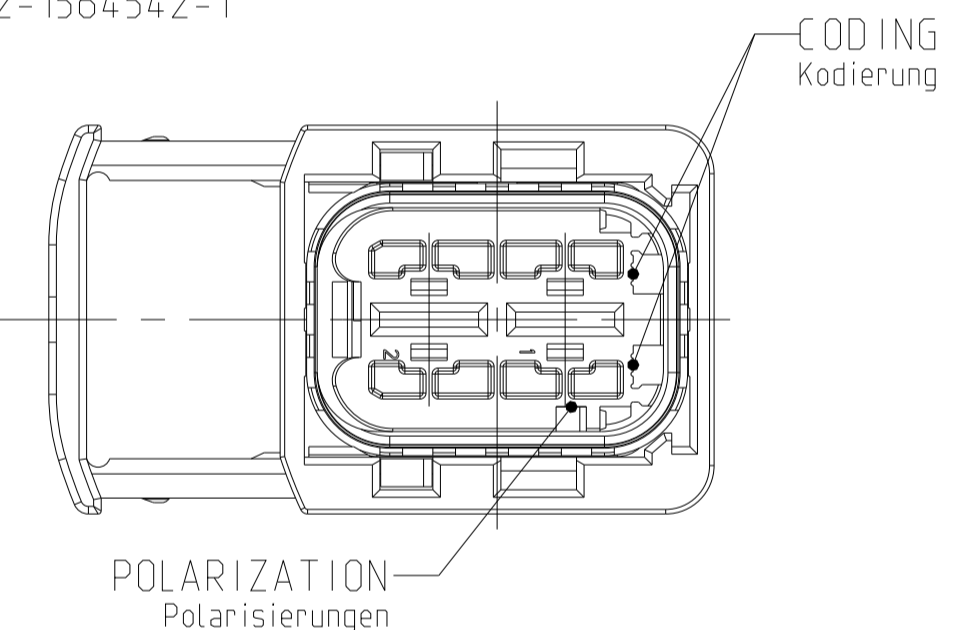
CODING A
Kodierung

PN 1-1564542-1



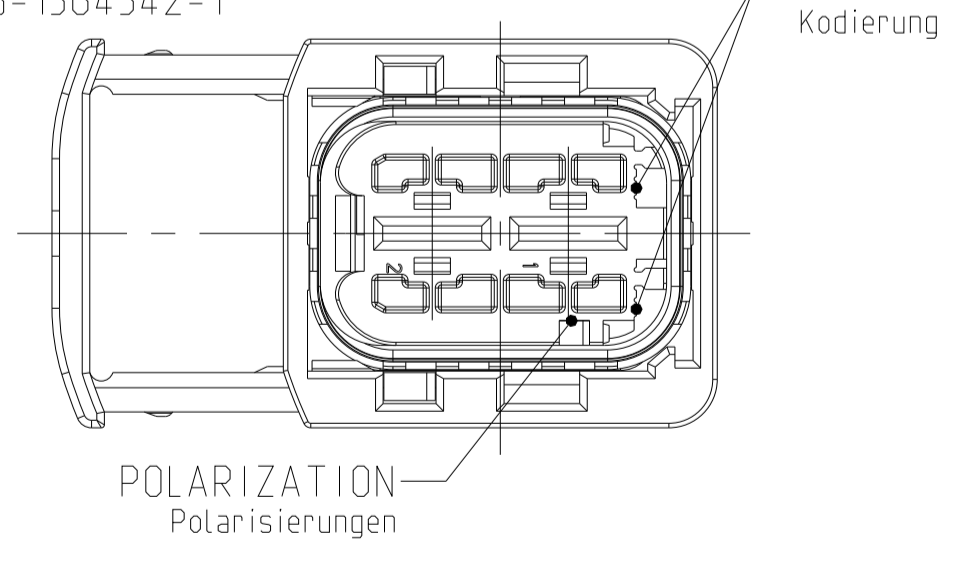
CODING B
Kodierung

PN 2-1564542-1



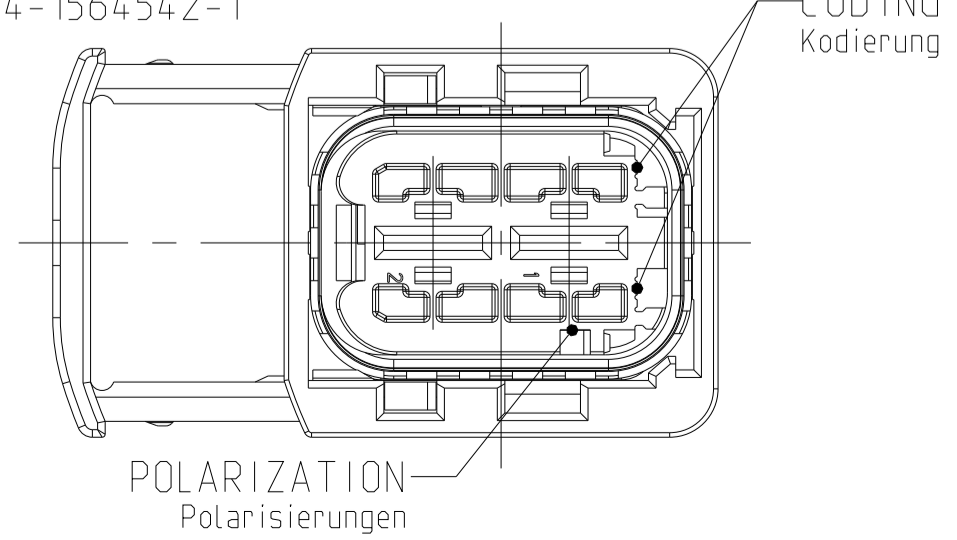
CODING C
Kodierung

PN 3-1564542-1

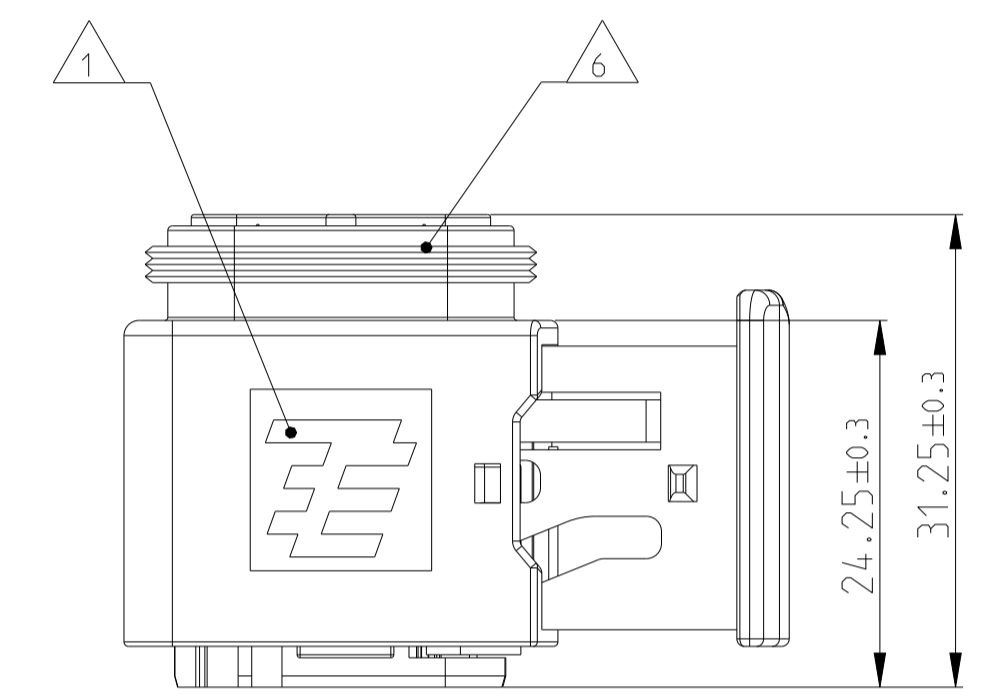
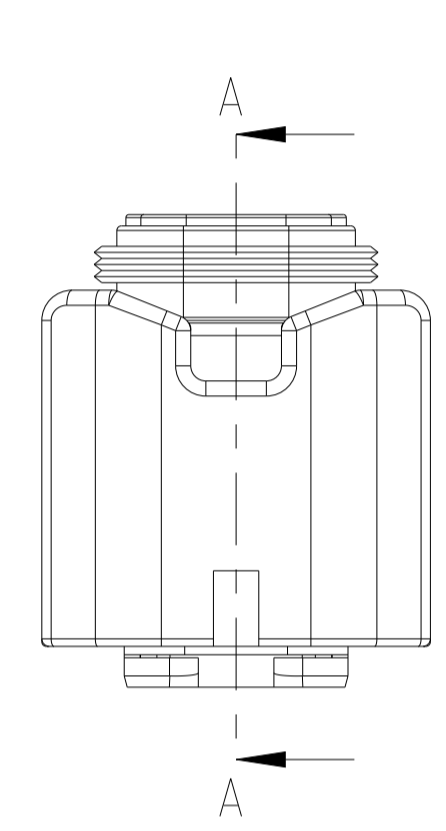
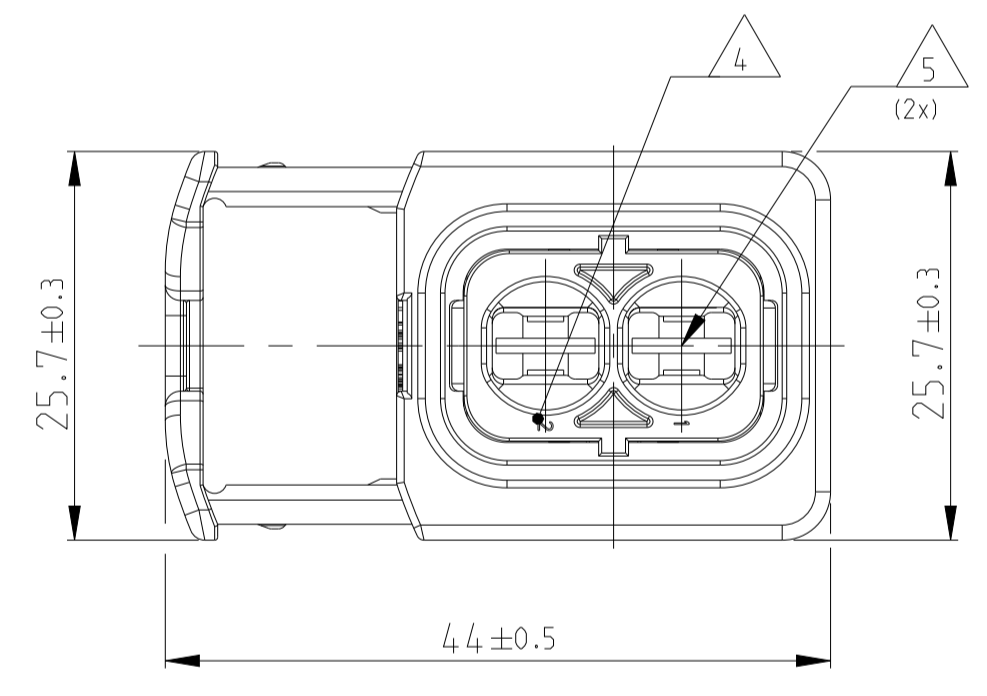
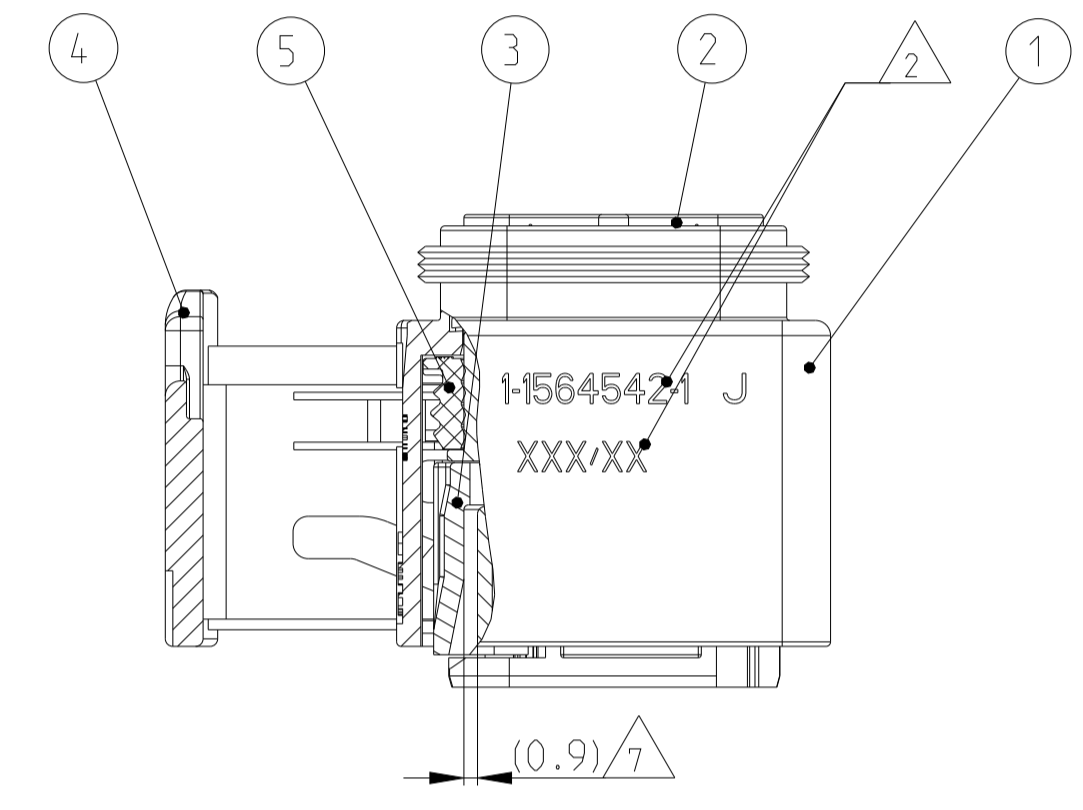


CODING D
Kodierung

PN 4-1564542-1

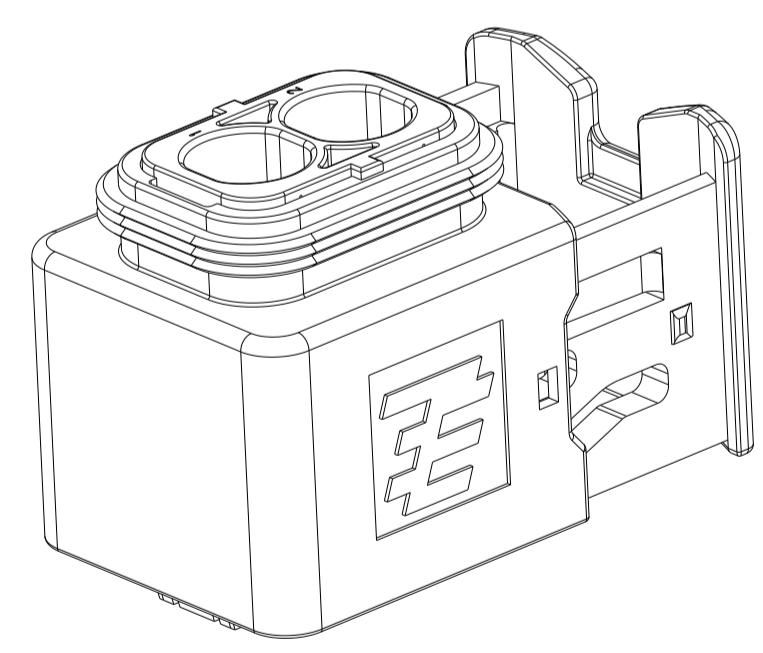


SECTION A-A
Schnitt

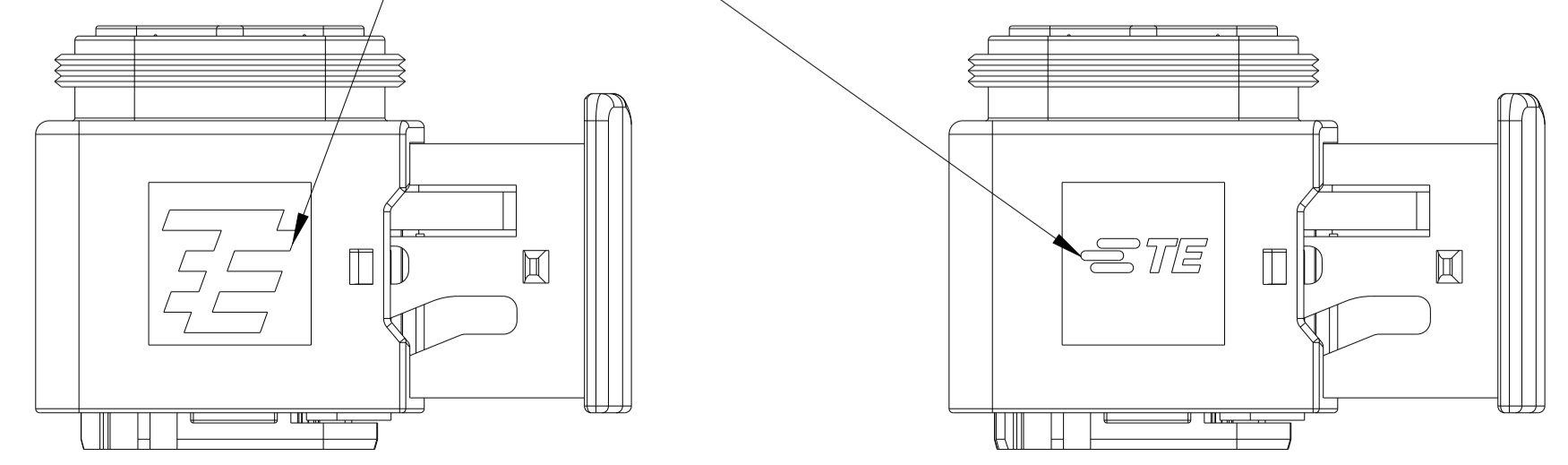


NOTES
Bemerkungen

- TE LOGO
TE Logo
- ASSY PN, PRODUCTION DATE (CALENDAR DAY/YEAR):
MARKING OPTIONAL AS LASER ENGRAVING OR
LASER WITH COLOR CHANGE
Assy PN, Produktionsdatum (Kalendertag/Jahr):
Beschriftung wahlweise als Lasergravur oder Laser mit Farbumschlag
- BULK PACKAGING IN CORRUGATED BOX
Schuttgut im Versandkarton
- CAVITY NUMBERING
Kammer Bezeichnung
- CAVITIES MATED WITH AMP MCP 6.3/4.8K
SEE PRODUCT GROUP DRAWING
TE NO: 1241438
MAX. WIRE SIZE: 6.0mm² FLR
Kontaktkammern passend fuer AMP MCP 6.3/4.8K
siehe Produktgruppenzeichnung
TE Nr.: 1241438
max. Drahtgrößenbereich: 6.0mm² FLR
- SUITABLE COVERS PN 1670057, 1670364
Passende Kappen PN 1670057, 1670364
- SLIDING DISTANCE OF SECONDARY LOCKING
Verschiebeweg der 2. Kontaktsicherung
- FITS TO TYCO INTERFACE DRAWING 114-18740-1
Passend zur Ausfuehrungsvorschrift 114-18740-1
- SUITABLE COUNTERPART TE-NO. 1564544, 1564546
passendes Gegenstueck TE-Nr. 1564544, 1564546
- MALFUNCTION CAUSED BY LACQUER IS NOT
COVERED BY TYCO ELECTRONICS WARRANTY.
Funktionsbeeinträchtigung durch Lackieren liegt nicht im
Einfluss und Gewährleistungsumfang von Tyco Electronics.



TE LOGO RELATED TO MOLDING TOOL
TE LOGO abhaengig vom Spritzgusswerkzeug



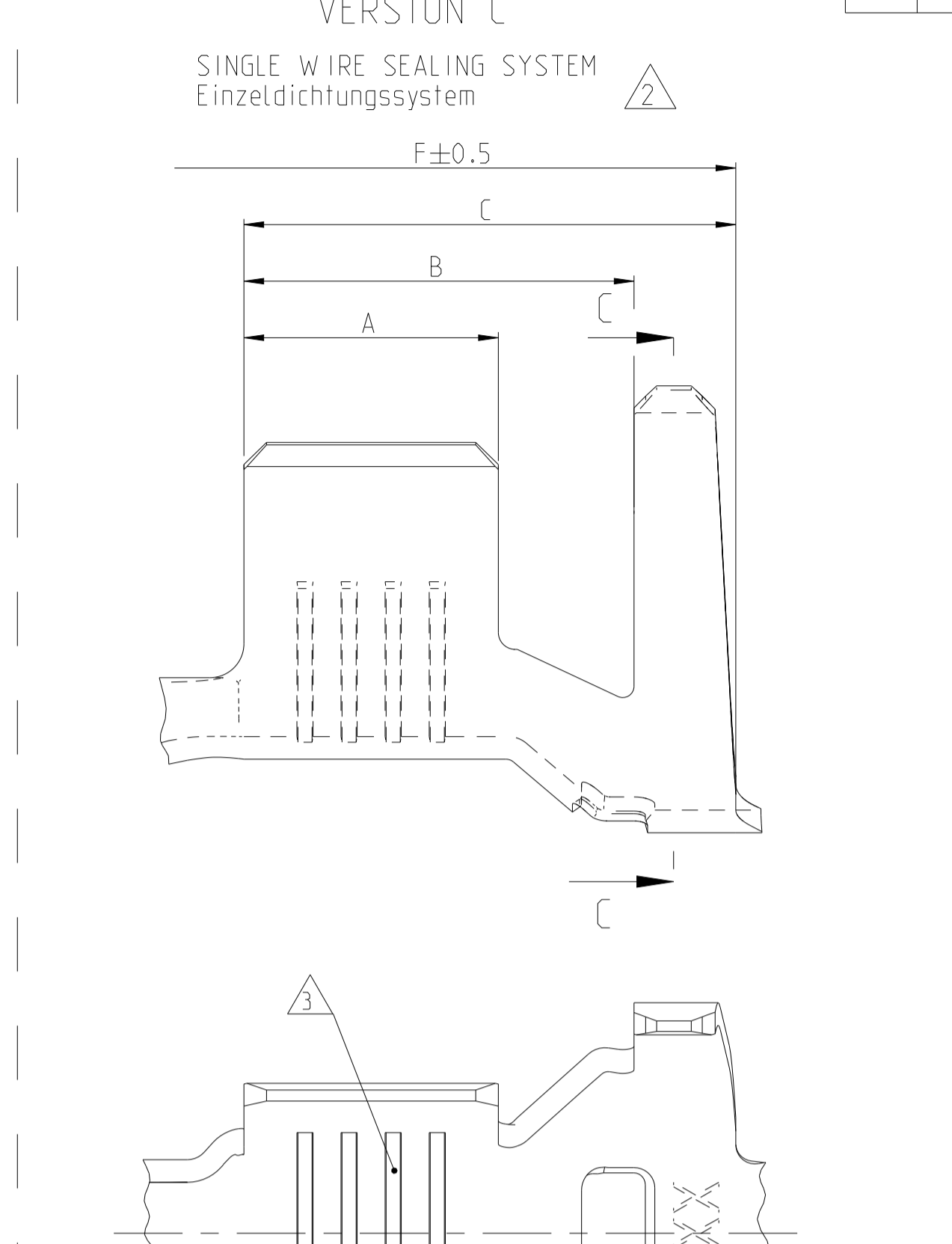
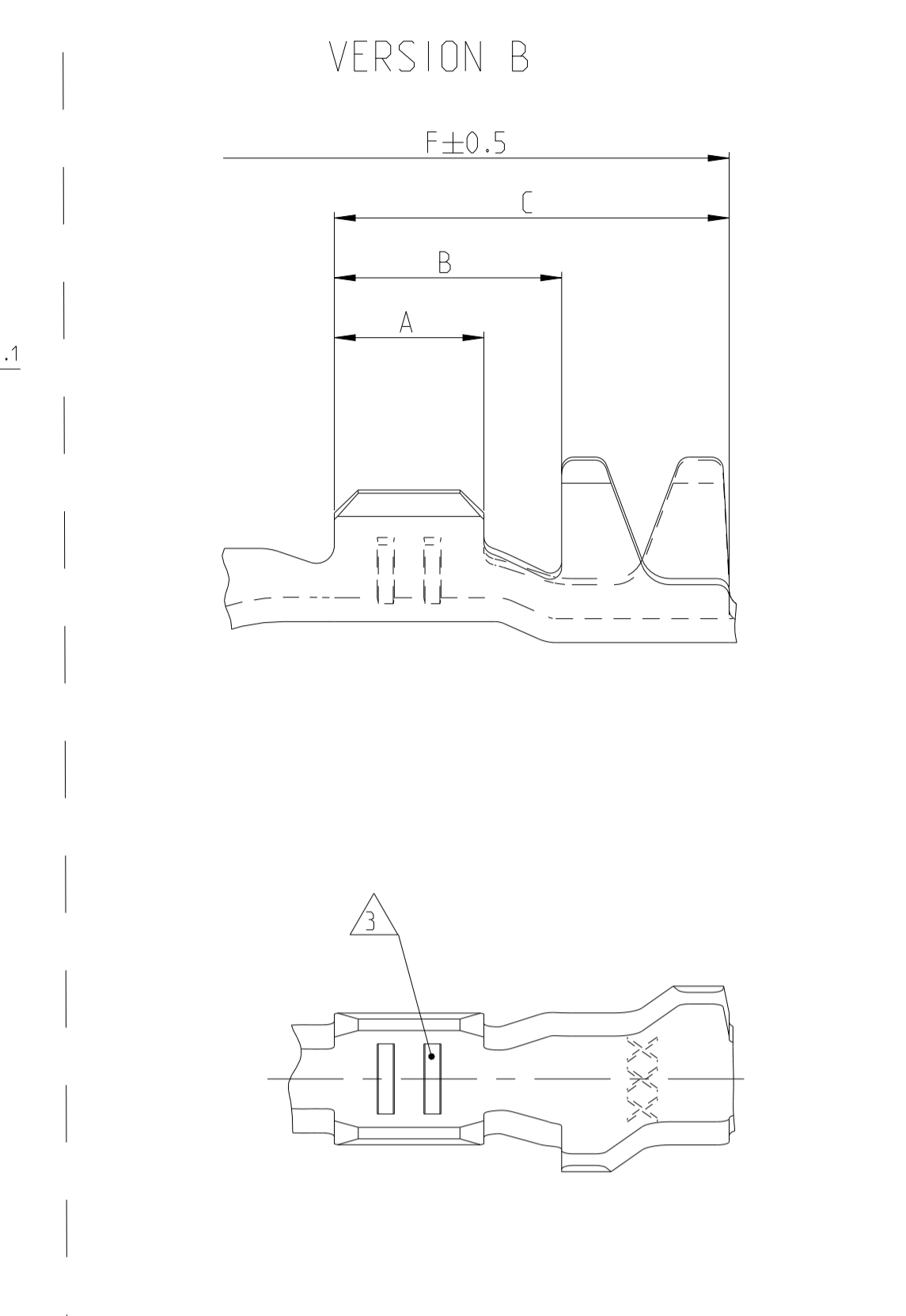
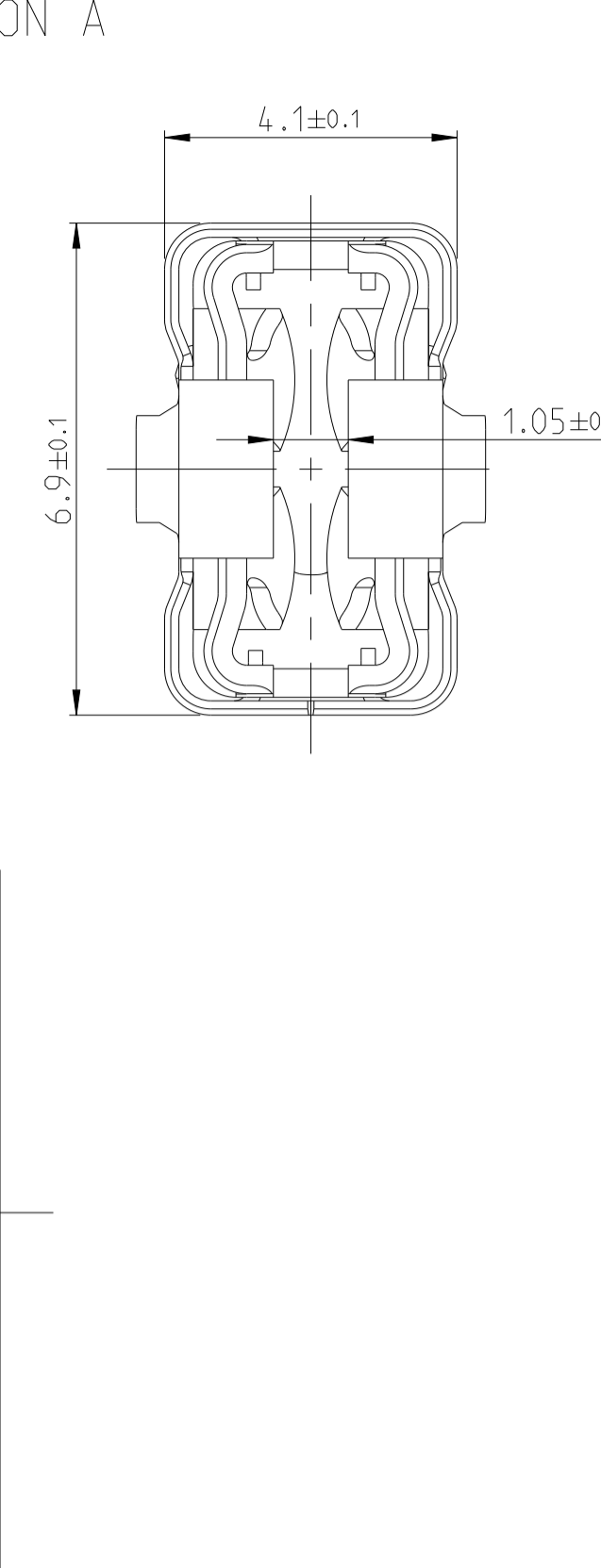
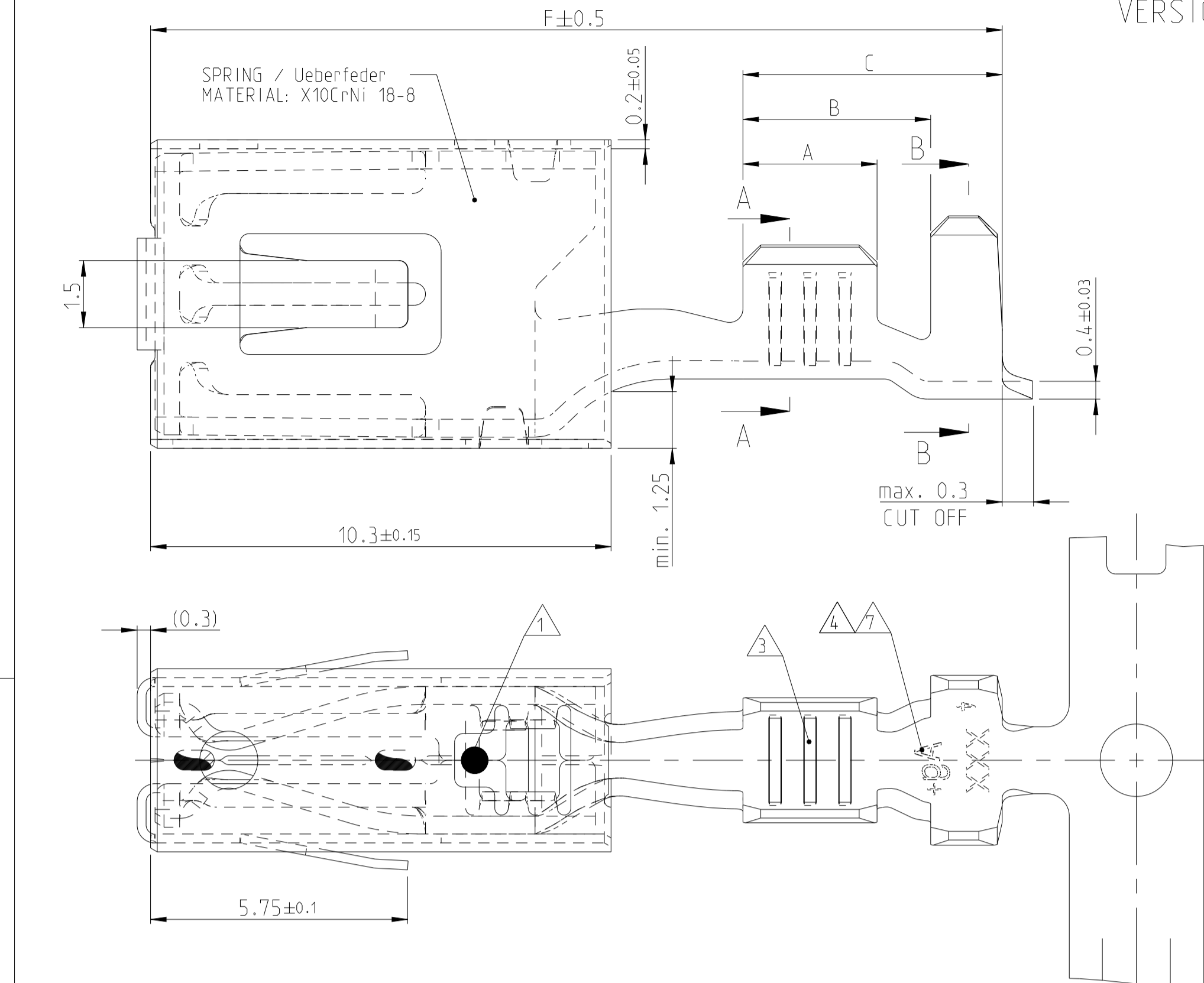
ITEM NO	DESCRIPTION	RECEPTACLE HOUSING	BLACK	GREEN	BLUE	YELLOW	WHITE	SEAL	ITEM NO
1	RECEPTACLE HOUSING	BUCHSENGEHAUSE	schwarz	gruen	blau	gelb	weiss	Dichtung	
2	2POS. CAVITY BLOCK, CODE, "A"	2POS. KAVITAETBLOCK, Kodierung, "A"							
2	2POS. CAVITY BLOCK, CODE, "B"	2POS. KAVITAETBLOCK, Kodierung, "B"							
2	2POS. CAVITY BLOCK, CODE, "C"	2POS. KAVITAETBLOCK, Kodierung, "C"							
2	2POS. CAVITY BLOCK, CODE, "D"	2POS. KAVITAETBLOCK, Kodierung, "D"							
3	2POS. CAVITY BLOCK, CODE, "D"	2POS. KAVITAETBLOCK, Kodierung, "D"							
4	U-SLIDE	U-Schieber							
5	SEAL	Dichtung							

REV.	NO. OF POS.	CODE	QUANTITY	ITEM NO	MATERIAL	DESCRIPTION
J	2	D	1	4	PBT-GF30 / V-0	RECEPTACLE HOUSING
J	2	C	1	3	PBT-GF30 / V-0	2POS. CAVITY BLOCK, CODE, "A"
J	2	B	1	2	PBT-GF30 / V-0	2POS. CAVITY BLOCK, CODE, "B"
J	2	A	1	1	PBT-GF30 / V-0	2POS. CAVITY BLOCK, CODE, "C"
J	2	A	1	1	PBT-GF30 / V-0	2POS. CAVITY BLOCK, CODE, "D"

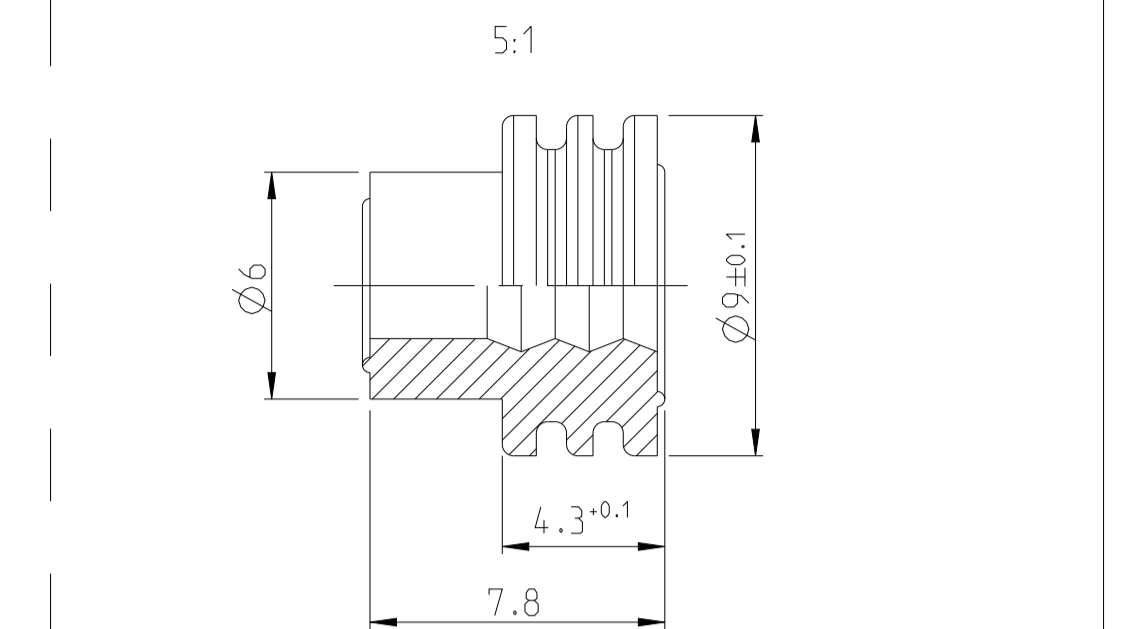
TE ORDER-NO. TE Bestell-Nr.	REV.	NO. OF POS. Polzahl	CODE Kodierung	QUANTITY Stueck	ITEM NO ASSY	MATERIAL siehe Tabelle	DESCRIPTION siehe Tabelle
4-1564542-1	J	2	D	1	4	PBT-GF30 / V-0	RECEPTACLE HOUSING
3-1564542-1	J	2	C	1	3	PBT-GF30 / V-0	2POS. CAVITY BLOCK, CODE, "A"
2-1564542-1	J	2	B	1	2	PBT-GF30 / V-0	2POS. CAVITY BLOCK, CODE, "B"
1-1564542-1	J	2	A	1	1	PBT-GF30 / V-0	2POS. CAVITY BLOCK, CODE, "C"

THIS DRAWING IS A CONTROLLED DOCUMENT. DIESER ZEICHNUNGSDRUCK IST NUR DURCH AMP HIERBEI BEZUGNEHTE VERFUEHRER ZU ERHALTEN. ANSONSTENIGE VERBREITUNG ODER VERWENDUNG IST NUR MIT DER ZUGELASSENEN ANWISUNG DER AMP ZU VERFAHREN.	OWNER Gajanan	DRAWING NO. 10FEB2009	DATE 10FEB2009
OTHERWISE SPECIFIED: DIMENSIONS: TOLERANCES UNLESS OTHERWISE SPECIFIED: SCALE TO DIN 15001-140	APPROVED E. Eberwein	PRODUCT SPEC 108-94.020	NAME 2POS. AMP MCP6.3/4.8K, REC HSG, ASSY
FINISH SURFACE COLOR FINISCHBEREICH-FARBE	WEIGHT GEWICHT	SIZE MASS	RESTRICTED TO NUR FUEHR
SEE TABLE	19.72 g (±)	A1 00779	©=1564542

CUSTOMER DRAWING	/KUNDENZEICHNUNG	SCALE MASSSTAB	2:1	SHEET BLATT	1	OF VON	1	REV REV	J4
------------------	------------------	-------------------	-----	----------------	---	-----------	---	------------	----

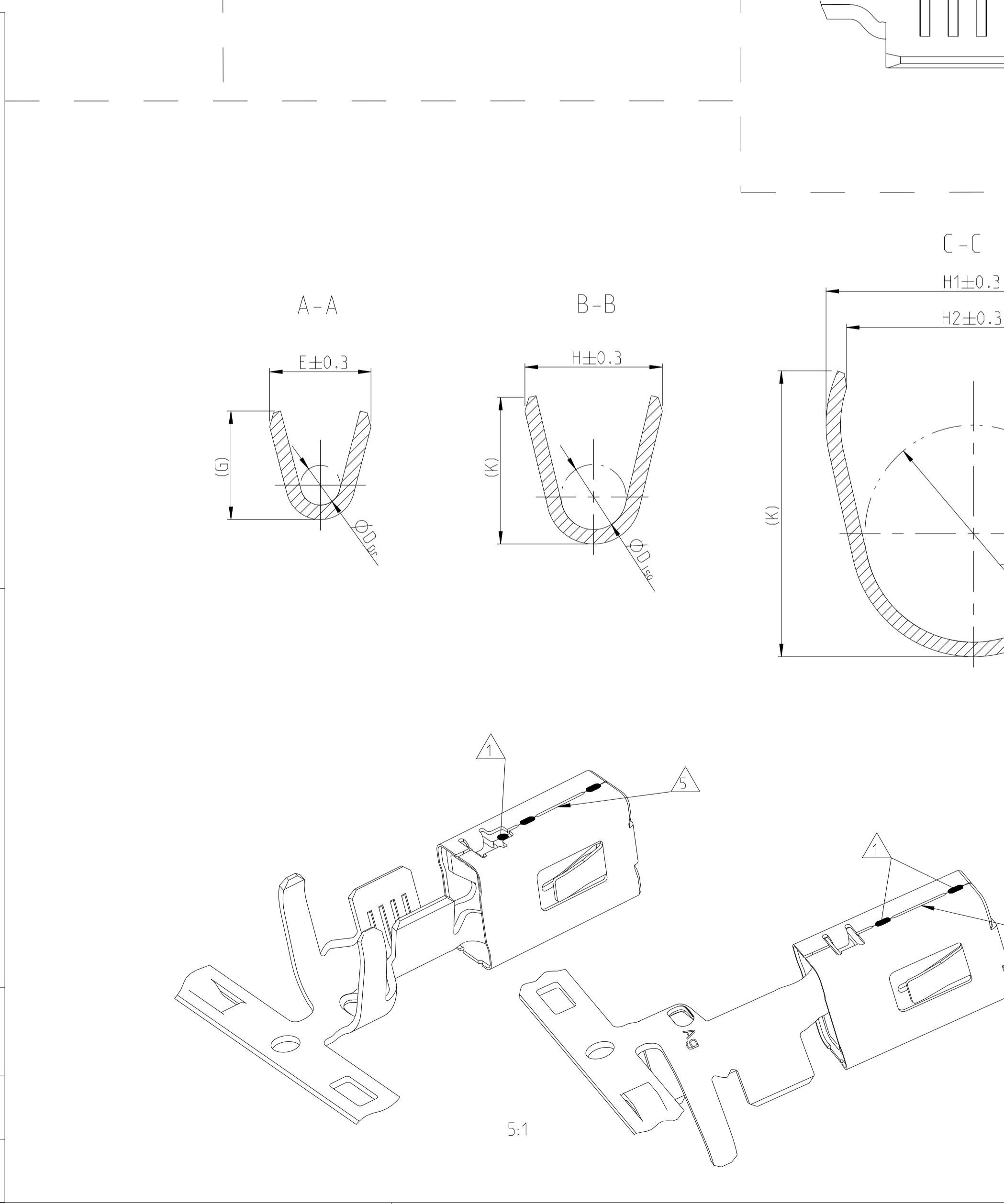


LOC	DIST	REVISIONS			
A1	-	REV	DATE	BY	CHK
A15		NEW VARIANT 5-1241400-1; 5-1241410-1 and 5-1241410-3	09APR2018	FRAN	BECK
A16		NEW PN 1-2333550-3; 1-2333551-3; 1-2333552-3 AT SHEET 2	03DEC2020	FRAN	BECK
A17		PCN-22-158848	22NOV2022	FRAN	KIEF
B		PCN-24-229575	11DEC2024	FRAN	KIEF



ORDER NO. Bestell-Nr.	INSULATION-Ø Isolations-Ø	COLOUR Farbe
2177018-1	1.2-2.0	YELLOW gelb
1394511-1	2.0-2.7	WHITE weiss
1823111-1	2.7-3.0	REDBROWN rotbraun
1394512-1	3.4-3.7	BLUE blau
1719043-1	4.0-4.5	GREEN gruen

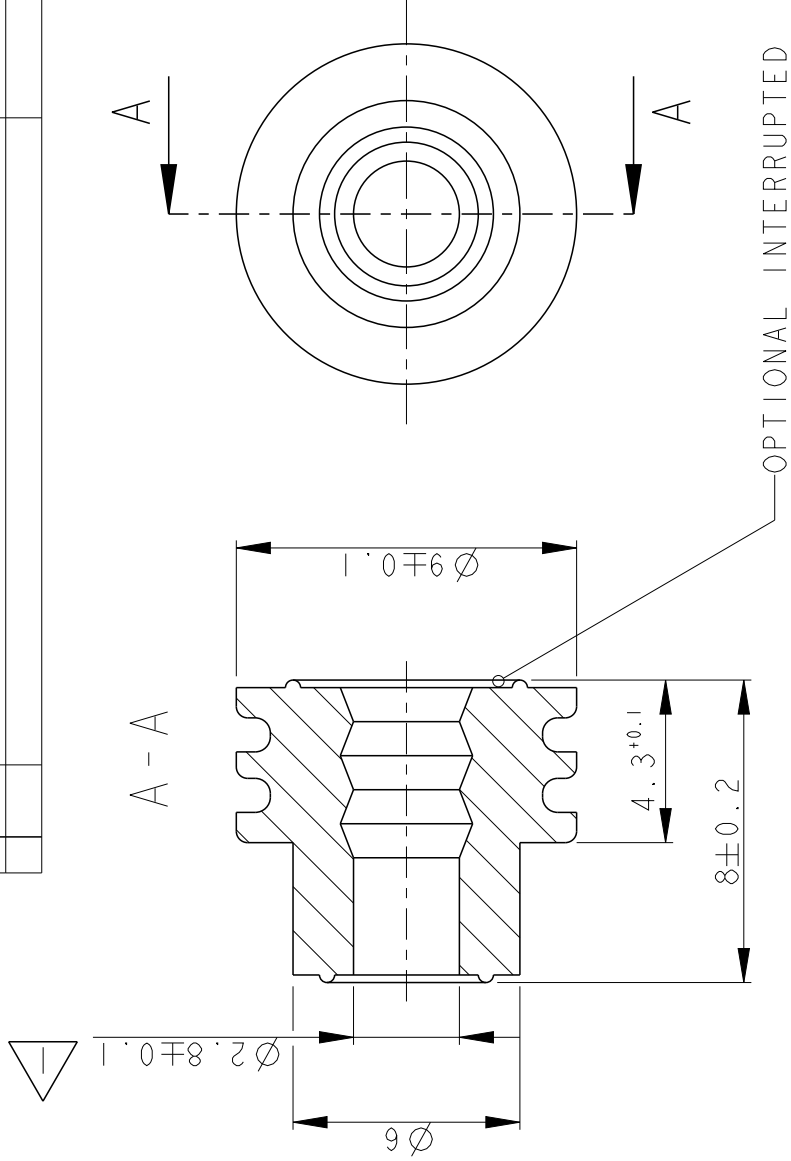
ORDER NO. STRIP Bestell-Nr. Bandware	Rev.	WIRE RANGE Drahtgroessen Bereich (mm 2)	INSULATION-Ø Isolations-Ø (mm)	MATERIAL Werkstoff	SURFACE IN CONTACT AREA Oberflaeche im Kontaktbereich	A	B	C	F	WIRE CRIMP Drahtcrimp	INSULATION CRIMP Isolations Crimp
1241418-4	A			CuNiSi	TIN PLATED / SnAg verzinkt / SnAg					E = 5.3 G = 5.6 D _{Dr} = 2.9	H1= 8.15 H2= 7.0 K = 7.9 D _{Iso} = 6.0
2-1241418-3	A	4.0-6.0	3.4-4.3	CuNiSi	SILVER PLATED versilbert	4.5	6.9	8.7	20.95		
1-1241418-3	A			CuNiSi	SILVER PLATED versilbert						
1241416-3	A			CuNiSi	SILVER PLATED versilbert					E = 4.6 G = 4.8 D _{Dr} = 2.4	H1= 8.15 H2= 7.0 K = 7.9 D _{Iso} = 6.0
1241416-1	A	>2.5-4.0	3.4-4.5	CuNiSi	TIN PLATED verzinkt	4.0	5.9	7.7	19.95		
1241414-3	A			CuNiSi	SILVER PLATED versilbert					E = 3.8 G = 4.0 D _{Dr} = 1.7	H1= 8.15 H2= 7.0 K = 7.9 D _{Iso} = 5.7
1241414-1	A	>1.0-2.5	2.2-3.7	CuNiSi	TIN PLATED verzinkt	3.5	5.9	7.7	19.95		
1241412-3	A			CuNiSi	SILVER PLATED versilbert					E = 2.8 G = 3.0 D _{Dr} = 1.1	H1= 7.8 H2= 6.7 K = 7.5 D _{Iso} = 5.5
1241412-1	A	0.5-1.0	1.4-2.7	CuNiSi	TIN PLATED verzinkt	3.0	5.4	7.2	19.95		
5-1241410-3	A			CuNiSi	SILVER PLATED versilbert					E = 2.2 G = 2.2 D _{Dr} = 0.8	H1= 7.7 H2= 6.6 K = 7.5 D _{Iso} = 5.5
1241410-3	A	0.35-0.5	1.2-2.3	CuNiSi	SILVER PLATED versilbert	2.5	4.9	6.7	19.95		
5-1241410-1	A			CuNiSi	TIN PLATED verzinkt						
1241410-1	A			CuNiSi	TIN PLATED verzinkt						
2-1241408-3	A	4.0-6.0	3.4-4.3	CuNiSi	SILVER PLATED versilbert	4.5	6.0	7.8	19.95	E = 5.3 G = 5.6 D _{Dr} = 2.9	H = 6.7 K = 7.0 D _{Iso} = 3.9
1-1241408-3	A			CuNiSi	SILVER PLATED versilbert						
1241408-1	A			CuNiSi	TIN PLATED verzinkt						
1241406-3	A			CuNiSi	SILVER PLATED versilbert					E = 4.6 G = 4.8 D _{Dr} = 2.4	H = 6.4 K = 6.7 D _{Iso} = 4.0
1241406-1	A	>2.5-4.0	3.4-4.5	CuNiSi	TIN PLATED verzinkt	4.0	5.2	6.8	19.05		
1241404-3	A			CuNiSi	SILVER PLATED versilbert					E = 3.8 G = 4.0 D _{Dr} = 1.7	H = 4.7 K = 4.9 D _{Iso} = 2.6
1241404-1	A	>1.0-2.5	2.2-3.0	CuNiSi	TIN PLATED verzinkt	3.5	4.7	6.3	19.05		
1241402-3	A			CuNiSi	SILVER PLATED versilbert					E = 2.8 G = 3.0 D _{Dr} = 1.1	H = 3.8 K = 4.1 D _{Iso} = 1.8
1241402-1	A	0.5-1.0	1.4-2.1	CuNiSi	TIN PLATED verzinkt	3.0	4.2	5.8	19.05		
5-1241400-1	A			CuNiSi	TIN PLATED verzinkt					E = 2.2 G = 2.2 D _{Dr} = 0.8	H = 3.1 K = 3.1 D _{Iso} = 1.4
1241400-1	A	0.2-0.5	1.1-1.6	CuNiSi	TIN PLATED verzinkt	2.5	3.8	6.6	19.05		



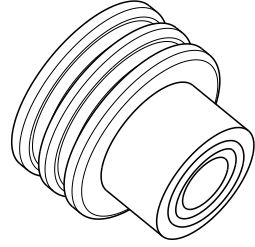
- NOTES
Bemerkungen
- LASER WELDED
Lasergeschweisht
 - SINGLE WIRE SEAL TO BE SELECTED ACCORDING TO INSULATION-Ø
Auswahl der Einzeldichtung entsprechend dem Isolations-Ø
 - DIFFERENT FORM AND NUMBER OF THE SERRATIONS POSSIBLE
Unterschiedliche Ausfuehrung und Anzahl der Ritzen moeglich
 - SILVER PLATED VERSIONS ARE MARKED WITH "Ag"
Versilberte Versionen sind mit "Ag" gekennzeichnet
 - DIFFERENT ASSEMBLY CAUSED BY PRODUCTION OF THE SPRING ON THE BODY.
SPOTWELDS CAN BE ABOVE OR DOWN.
Fertigungsbedingte unterschiedliche Montage der Ueberfeder auf dem Body moeglich.
Der Stoss kann sich oben oder unten befinden.
 - USED WITH TAB 0.8±0.03mm x 4.8 ... 6.3 ±0.1mm
Verwendet mit Flachstecker 0.8±0.03mm x 4.8 ... 6.3 ±0.1mm
 - "Ag" MARKING ON SILVER PLATED VERSIONS FOR INCREASED LIMIT TEMPERATURE
"Ag" Markierung auf versilberten Versionen fuer erhoehte Grenztemperatur
 - 1241400-1 nicht fuer Neuanwendungen, wird ersetzt durch 5-1241400-1
1241410-1 nicht fuer Neuanwendungen, wird ersetzt durch 5-1241410-1
1241410-3 nicht fuer Neuanwendungen, wird ersetzt durch 5-1241410-3
1241400-1 SUPERSEDED BY PN 5-1241400-1
1241410-1 SUPERSEDED BY PN 5-1241410-1
1241410-3 SUPERSEDED BY PN 5-1241410-3

THIS DRAWING IS A CONTROLLED DOCUMENT.		OWN R. Meier	03DEC2001	NAME AMP MCP6.3/4.8K FLATCONTACT AMP MCP6.3/4.8K Flachkontakt PRODUCT GROUP DRAWING
DIMENSIONS: mm		CHK R. Schaefer	03DEC2001	
TOLERANCES UNLESS OTHERWISE SPECIFIED:		APVD M. Bleicher	28OCT2011	SIZE 116-18388
MATERIAL		FINISH	WEIGHT	RESTRICTED TO
Customer Drawing		SCALE 5:1	SHEET 1 of 2	REV B

P		LTR		REVISIONS		DATE	DWN	APVD
A3		REVISED (ECR-15-003702)				09MAR2015	M.G.	M.G.



 DEDICATED FOR INSULATION DIA:
 3.4-3.7mm (FLR CABLE - WIRE SIZE 4.0mm²)
 3.4-3.74mm (ALUMINIUM WIRE ONLY - WIRE SIZE 4mm²)
 SEALING FOR STANDARD-POWER-TIMER, AMP MCP6.3/4.8K
 AND 5.8mm TAB



BLUE	SILICONE 50° SHORE A INHERENTLY LUBRICATED	1394512-1
COLOR	MATERIAL	PART Nr.

DWN R. Schaefer		MATERIAL	SEE TABLE	FINISH	SEE TABLE
CHK U. Muenk		190CT2000			
APVD -		-			
PRODUCT SPEC		-			
APPLICATION SPEC		-			
WEIGHT		0.25 gr		-	
Customer Drawing		SCALE		5:1	
		SHEET		1 OF 1	
		REV		A3	



NAME SINGLE WIRE SEAL

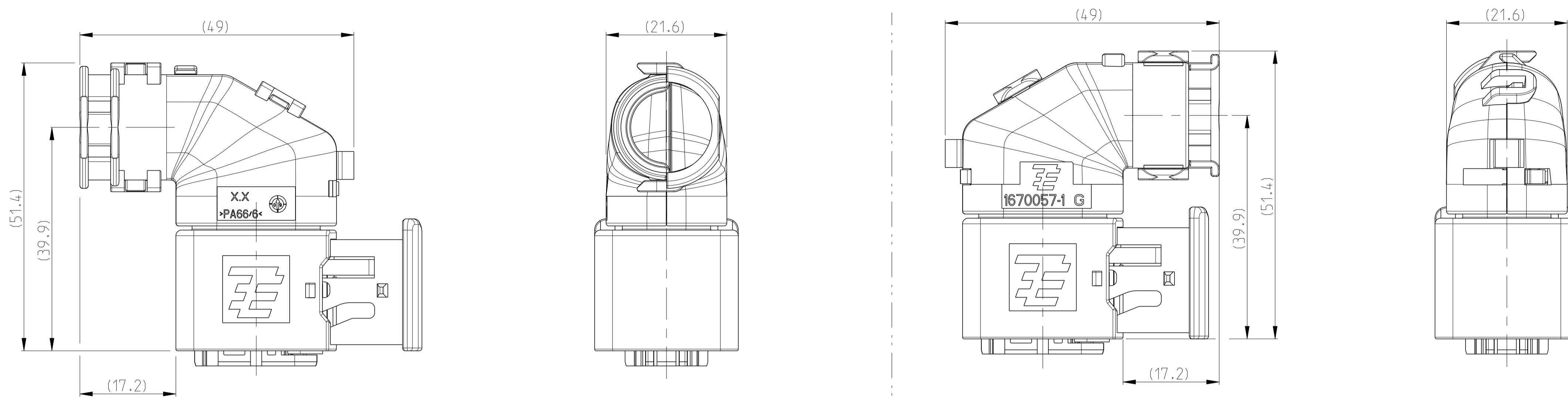
TE Connectivity

0 PLC	±0.2
1 PLC	±0.2
2 PLC	±-
3 PLC	±-
4 PLC	±-
ANGLES	±1°



RESTRICTED TO	-
---------------	---

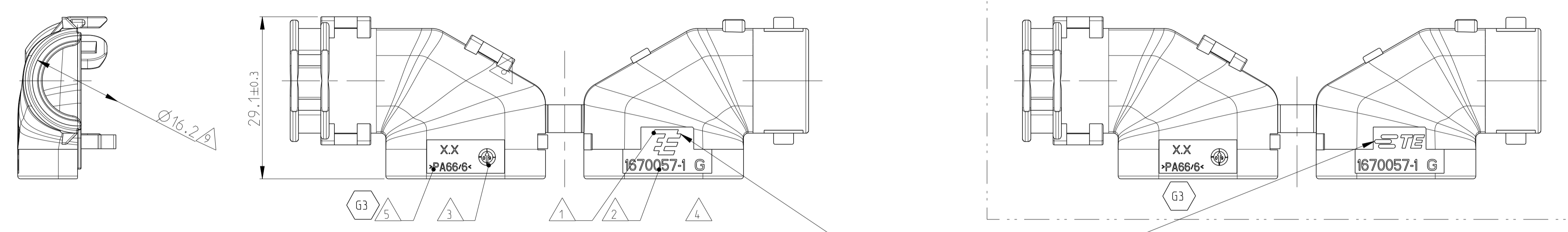
11 MOUNTED COVER OPTIONS
 Befestigungsmoeglichkeiten der Kappe



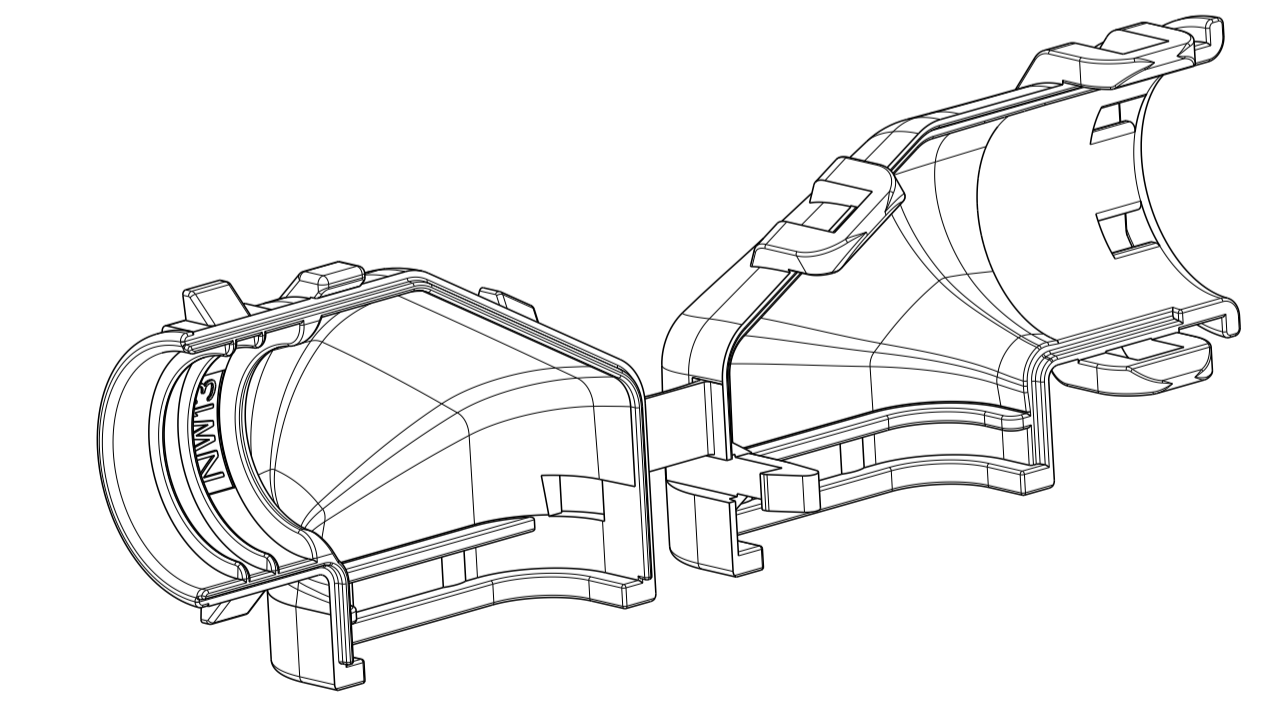
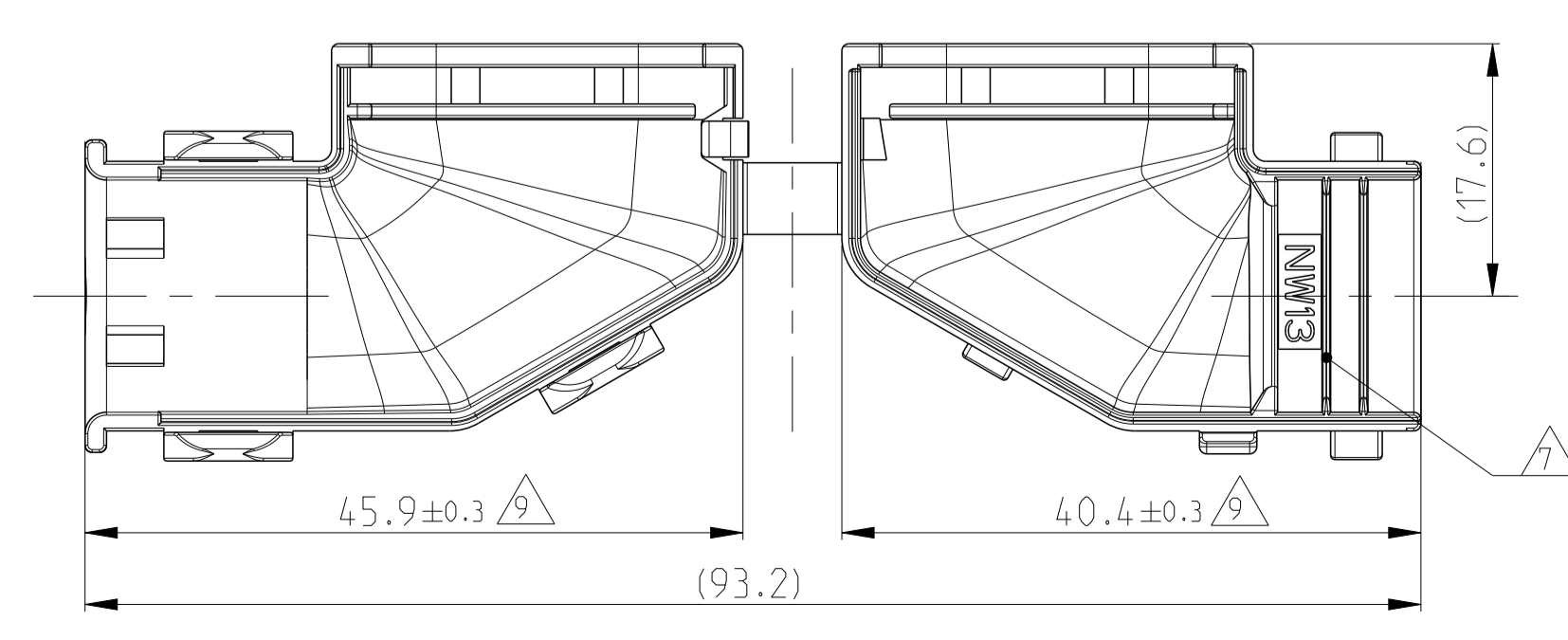
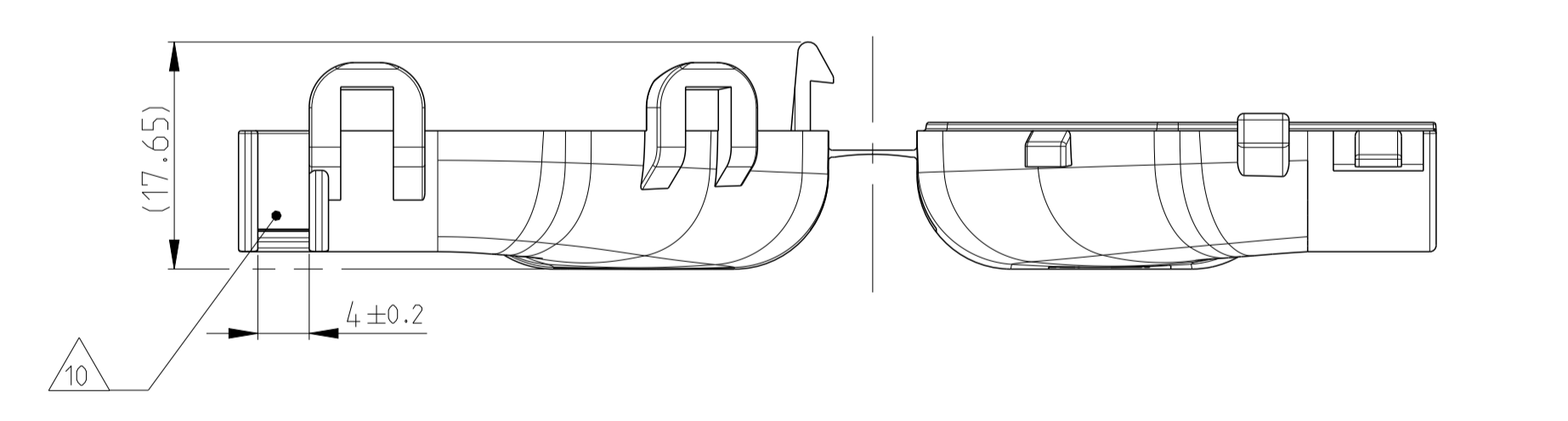
REVISIONS					
P	LTN	DESCRIPTION	DATE	DMN	APVD
G		ECR-09-012157 (PCN E-09-005080 PART CHANG.)	04MAR2009	SJ	CE
G1		DETAILS SEE PCN E-10-002668	04FEB2010	SJ	JG
G2		New view added with TE Logo depending on mold	28NOV2017	MAH.	GILC
G3		DETAILS SEE PCN E-18-018520	27NOV2018	MAH.	GILC

NOTES
 Bemerkungen

- 1 TE LOGO
TE Logo
- 2 TE ORDER-NO.
TE Bestell-Nr.
- 3 PRODUCTION DATE
Produktionsdatum
- 4 LETTER-INSERT FOR THE REVISION STATUS OF THE MOLD
Schriftsatz fuer Aenderungszustand des Werkzeuges
ACTUAL STATUS: SEE TABLE
Aktueller Stand: siehe Tabelle
- 5 MATERIAL MARKING ACCORDING TO VDA 260
Werkstoffkennzeichnung nach VDA 260
- 6 BULK PACKAGING IN CORRUGATED BOX
Schuetztgut im Versandkarton
- 7 CABLE EXIT DESIGNED FOR CORRUGATED TUBE NW 13
Kabelabgang ausgelegt fuer Wellrohr NW 13
- 8 MALFUNCTION CAUSED BY LAQUER IS NOT COVERED
BY TE WARRANTY
Funktionsbeeintraechtigung durch Lackieren liegt nicht
im Einfluss und Gewährleistungsumfang von TE
- 9 WARPAGE UP TO -1.0mm FROM NOM. DIMENSION PERMITTED
Verzug zulaessig bis -1.0mm vom Nennmass
- 10 MAX. CABLE TIE WIDTH: 3.8mm
max. Kabelbinderbreite: 3.8mm
- 11 SUITABLE FOR TAB AND RECEPTACLE HOUSING GROUP C
SEE PRODUCT GROUP DRAWING 1563709
Passend fuer Flachstecker- und Buchsengehaeuse der Gruppe C
siehe Produktgruppenzeichnung 1563709



TE LOGO RELATED TO MOLDING TOOL
 TE Logo abhaengig von Spritzgusswerkzeug



0-1670057-1	G	COVER 90° Kappe 90°	1
TE ORDER-NO. TE Bestell-Nr.	REV.	DESCRIPTION Beschreibung	ITEM

THIS DRAWING IS A CONTROLLED DOCUMENT.

DIMENSIONS: mm	TOLERANCES UNLESS OTHERWISE SPECIFIED:	DMN D.Bischoff 26OCT2006	CHG J.Grandzow 31OCT2006	APVD F.Überwein 02NOV2006	NAME STE TE Connectivity
0 PLC ±0.1	ISO 80/5	1 PLC ±0.1	ISO 80/5	2 PLC ±0.1	PRODUCT SPEC
3 PLC ±0.1	DIN 15001-100	4 PLC ±0.1	DIN 15001-100	ANGLES ±0.2°	108-94.020
FINISH BLACK schwarz		WEIGHT 5.2g		APPLICATION SPEC	
MATERIAL PA66/6 (V-0)		SIZE A1		CUSTOMER DRAWING	
SCALE 5:1		SHEET 1 OF 1		REV. G3	