

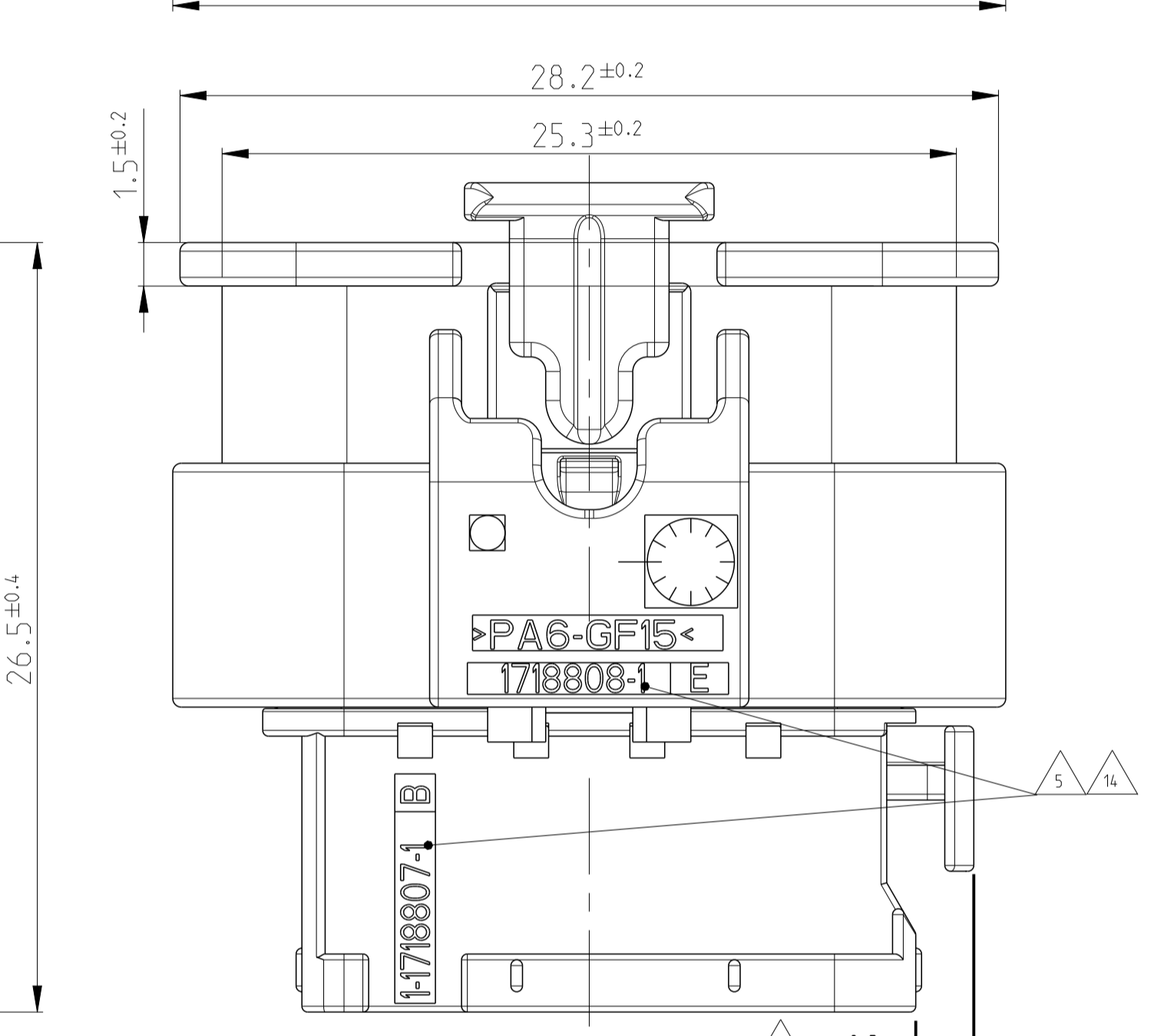
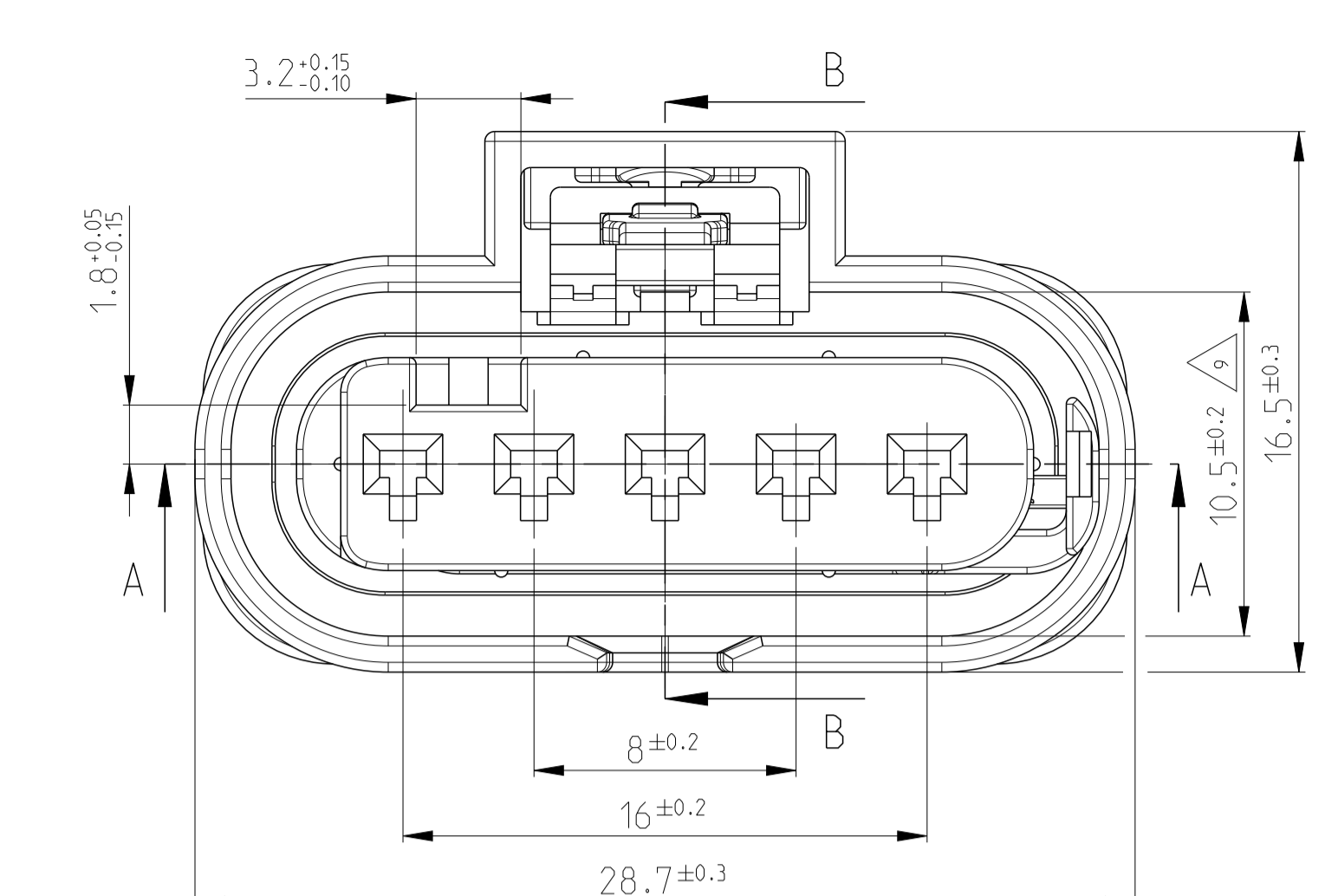
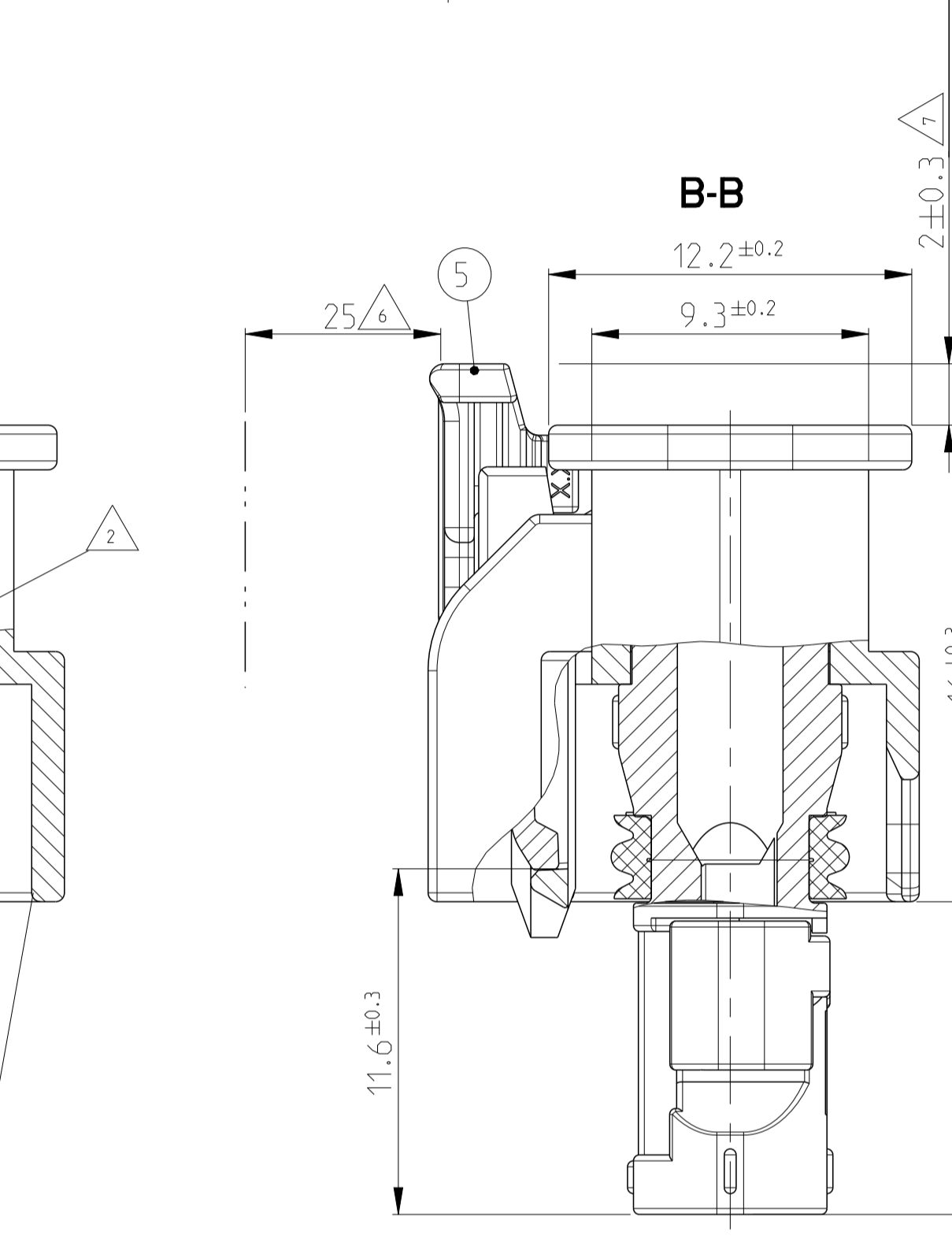
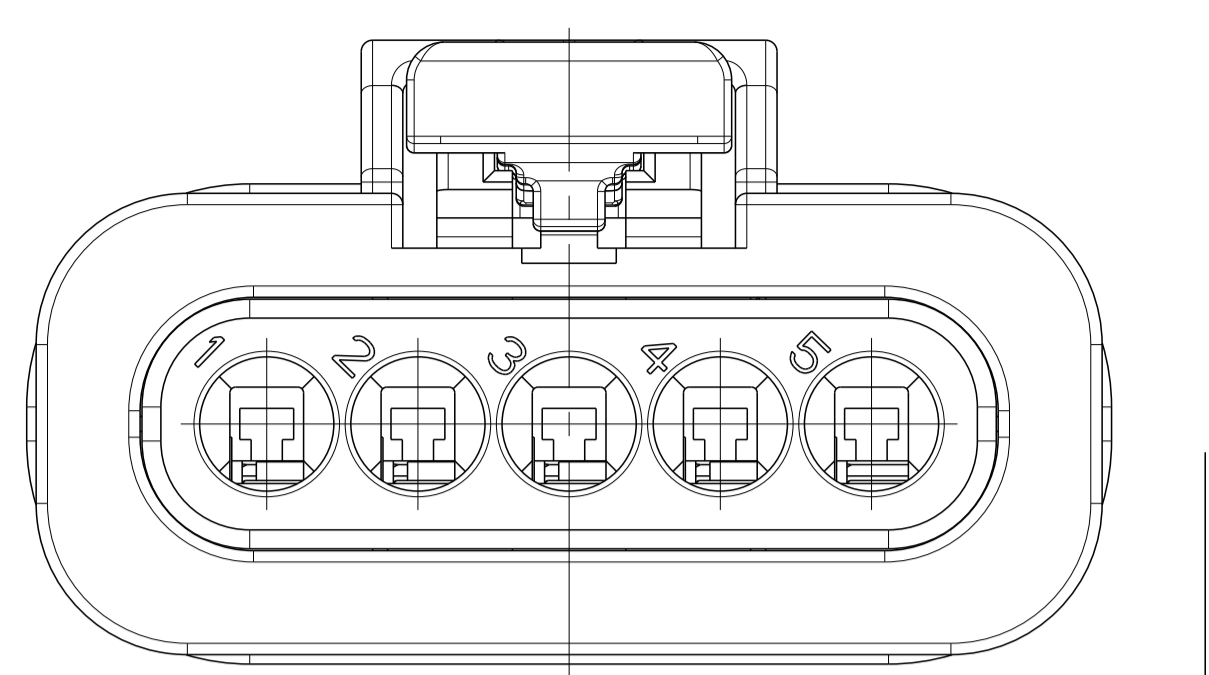
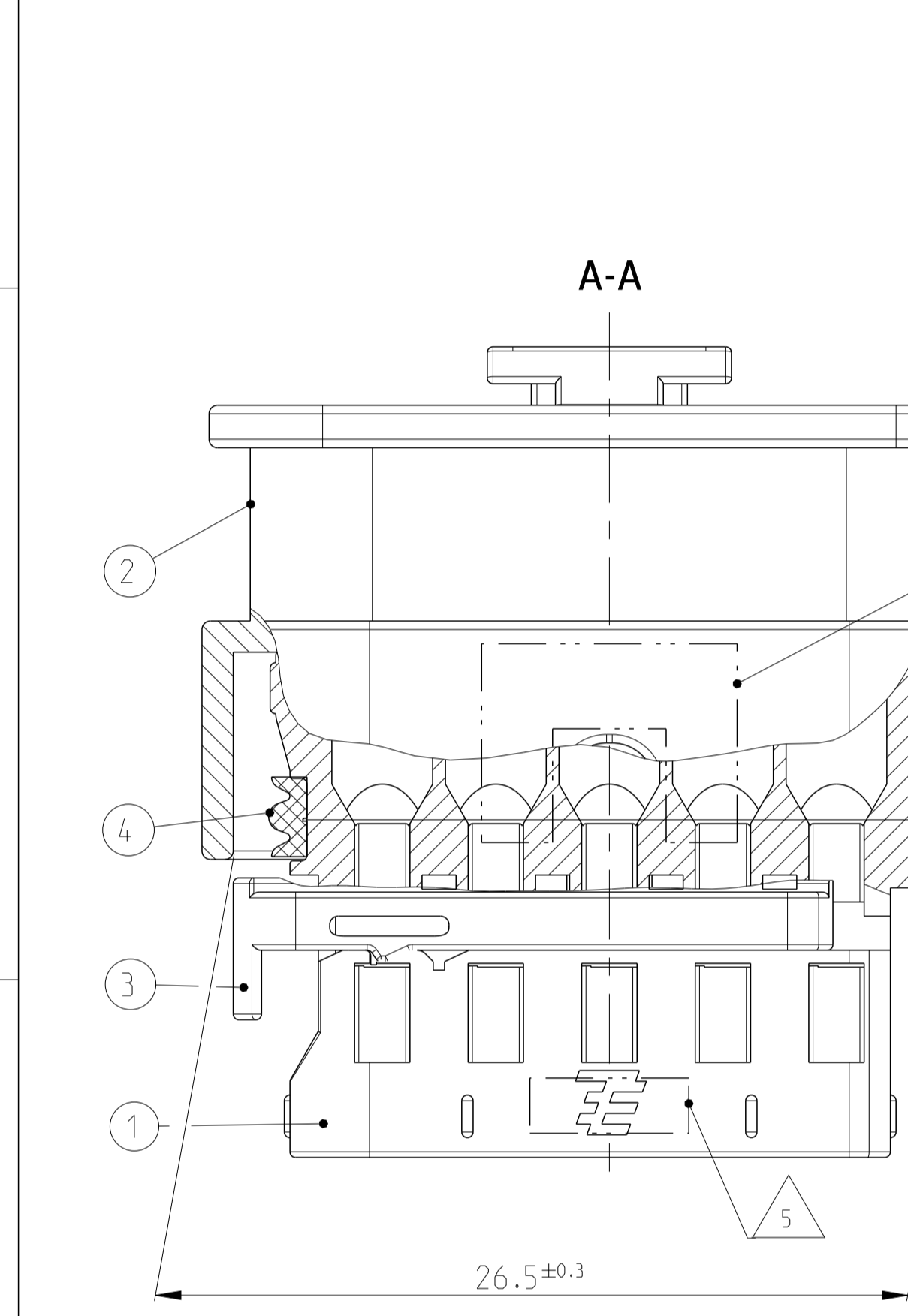
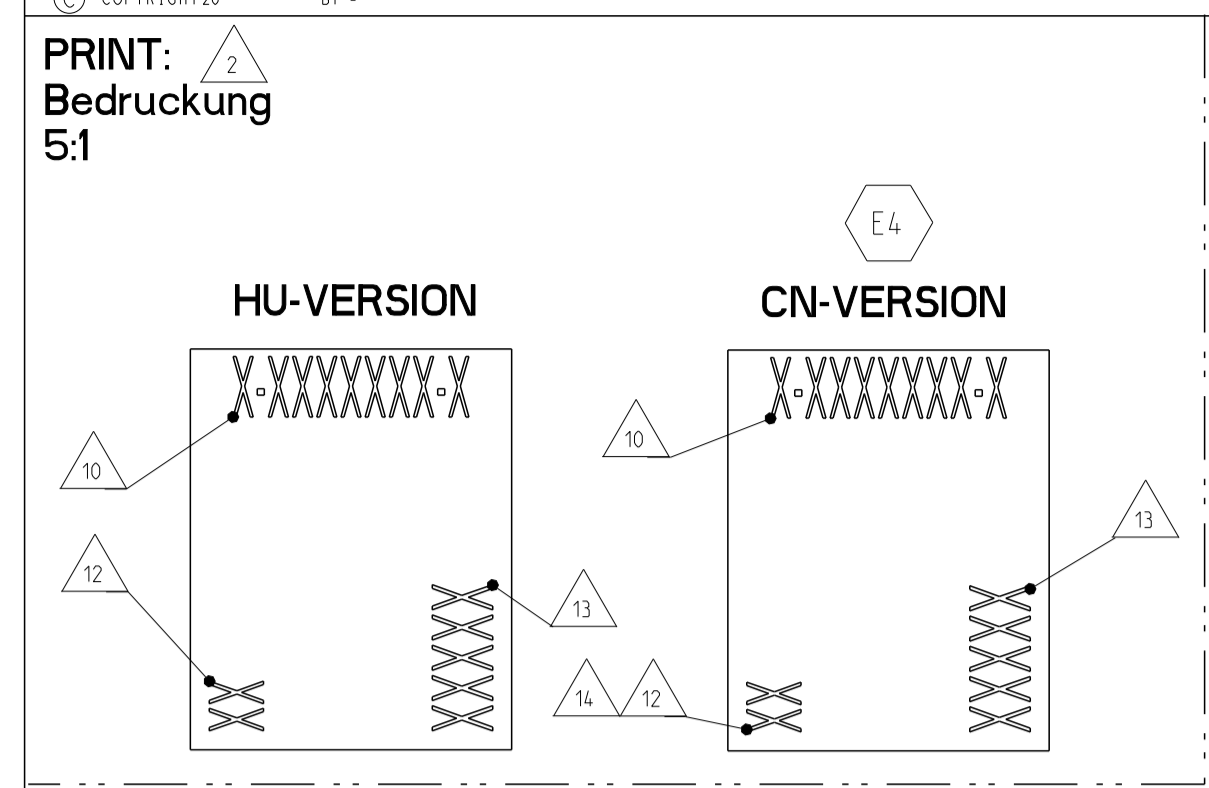
M 1-1718806-1K



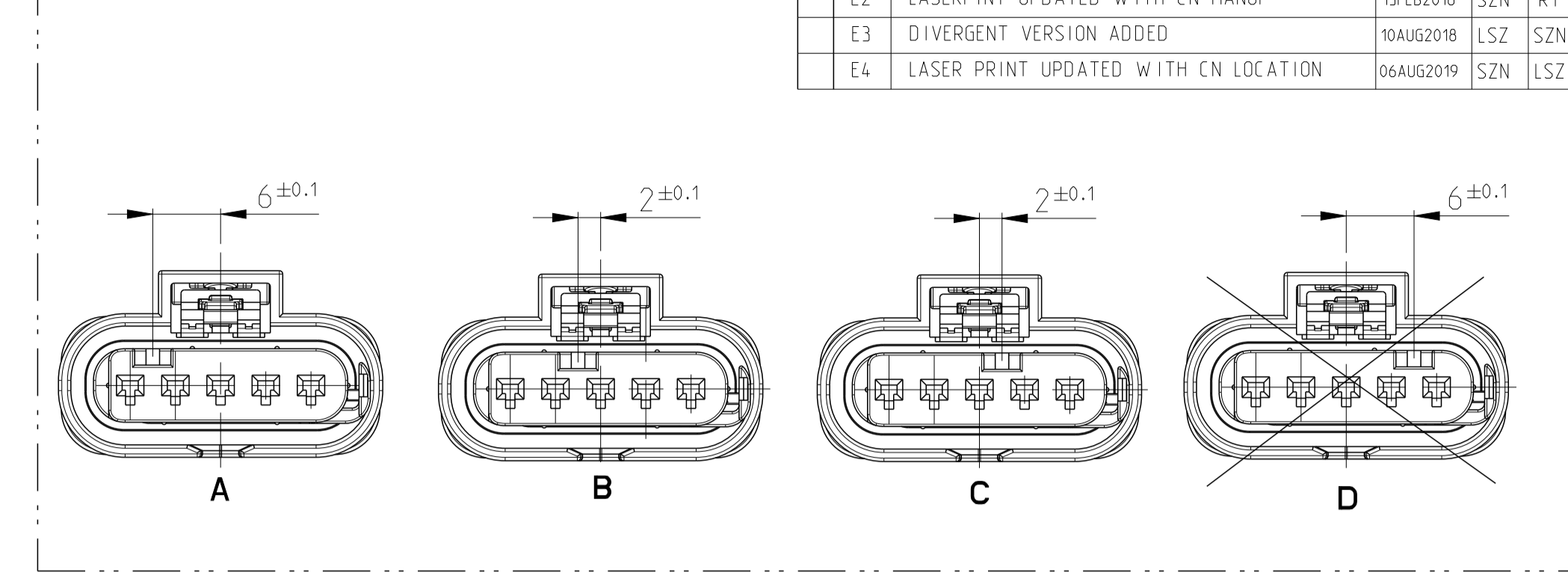
MINIKIT

Proseguire nella pagina successiva per visualizzare la scheda tecnica dei componenti

Revisione	Prodotto
REV.00 13/04/2026	AfterMarket



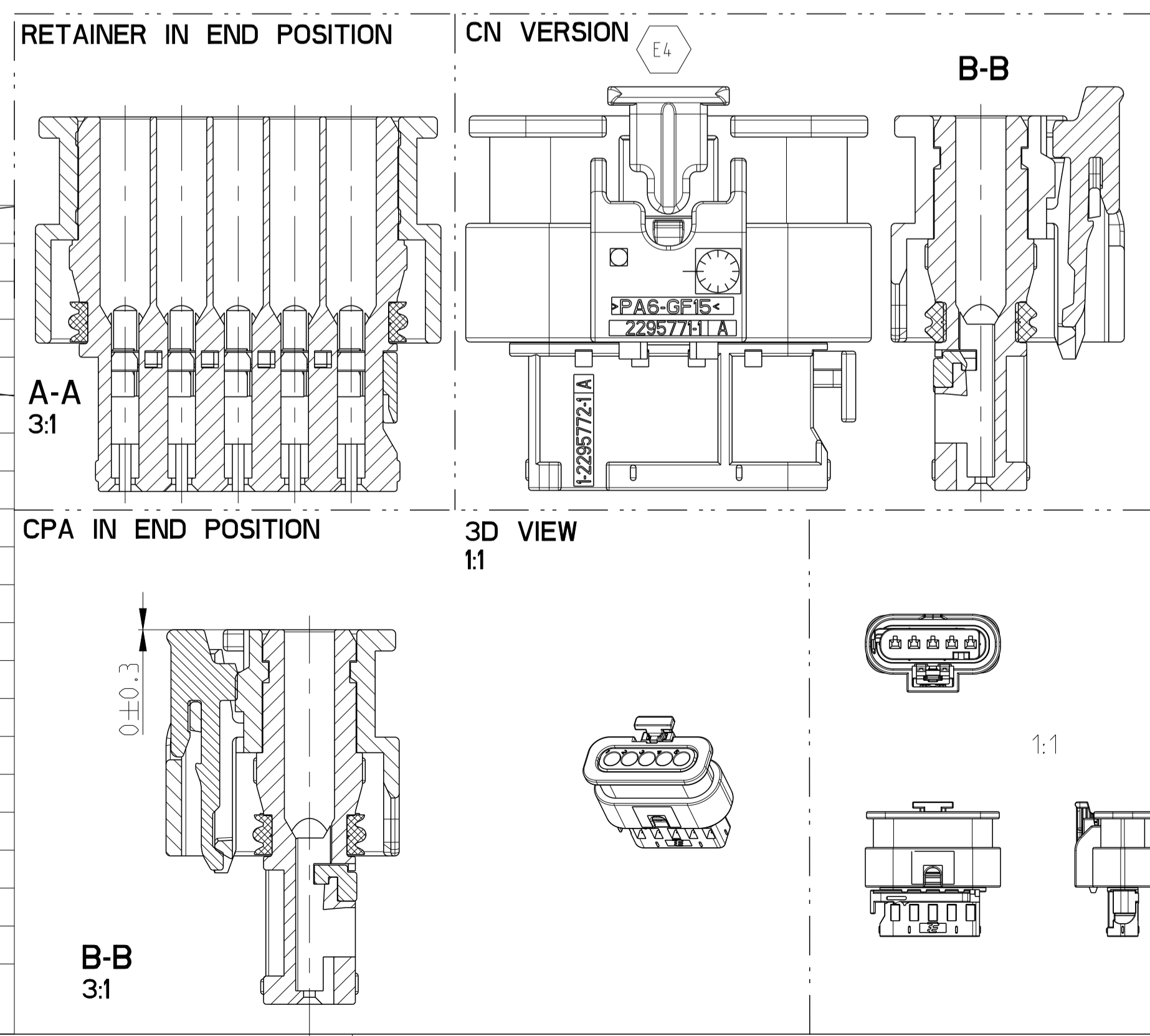
**CODINGS
Kodierungen
M 2:1**



REVISIONS				
P	LTN	DESCRIPTION	DATE	OWN APVD
E1	3-1718806-1	ADDED TO BOM	22JUN2017	SZN RT
E2		LASERPRINT UPDATED WITH CN MANUF	13FEB2018	SZN RT
E3		DIVERGENT VERSION ADDED	10AUG2018	LSZ SZN
E4		LASER PRINT UPDATED WITH CN LOCATION	06AUG2019	SZN LSZ

- NOTES:**
Bemerkungen:
- ONLY THE GERMAN LANGUAGE VERSION IS AUTHORITATIVE
Massgebend ist nur der deutsche Text
 - AREA FOR PRINT
Bereich für Bedruckung.
 - USABLE CONTACTS MCON 1.2
SEE TE Connectivity -NO. 1452674, VERSION SINGLE WIRE SEAL
Verwendbare Kontakte MCON 1.2
siehe TE Connectivity -Zeichnung 1452674, Ausfuehrung Einzeldichtung
 - MAX. WIRE SIZE RANGE 1.0 mm² FLR PERMITTED
FOR CAVITY-Ø 3.55MM
QUANTITY SEE WIRE HARNESS DRAWING
FOR PERMISSIBLE CURRENT CARRYING CAPACITY OF THE SINGLE CONTACT
SEE PRODUCT SPECIFICATION NO.108-18782
max. zulaessiger Leitungsquerschnitt 1,0 mm² FLR,
für Kammer-Ø 3,55mm
die Stueckzahl ist im Leitungssatz festgelegt
die zulaessige Strombelastbarkeit für die einzelnen Kontakte ist
der Spezifikation 108-18782 zu entnehmen
 - SUPPLIER-MARK
Lieferantenkennzeichnung
 - SPACE OF ACTIVITY
Betaetigungsfreiraum
 - SUPPLY CONDITION: CPA IN PRELOCKED POSITION
Auslieferungszustand: Gehauesesicherung in Vorraststellung
 - SUPPLY CONDITION: RETAINER IN PRELOCKED POSITION
Auslieferungszustand: Zweite Kontaktsicherung in Vorraststellung
 - WARPAGE PERMITTED TO MAX. -0.5mm
Verzug zulaessig bis max. -0.5mm
 - TE Connectivity ORDER-NO.
TE Connectivity Bestell-Nr.
 - ACCORDING TO INTERFACE DRAWING
SEE TE-NO. 114-18679-3
Passend zur Schnittstellen-Zeichnung
siehe TE-Nr. 114-18679-3
 - ASSEMBLY LINE SEGMENT IDENTIFICATION
Markierung für Segment der Assembly Anlage
 - DATE CODE (DDYY)
Datum Kodierung (TTJJ)
 - OPTIONAL-DIVERGENT MARKING FOR PARTS FROM CHINESE AND U.S. PRODUCTION
Abweichende Beschriftung zulaessig fuer Teile aus China und U.S.
Produktion.

TE-ORDER-NO.	COD	TITLE	REV	QTY	TITLE	MATERIAL	SURFACE/COLOUR	ITEM
4-1718806-1	D	5pos. MCON 1.2 - LL Connector, Sealed	D	1	MCON 1.2 - CPA	PA46-GF15	GRAY SIML. TO RAL 7037	5
				1	5pos. MCON 1.2 - Seal	MVQ-30	NATURE	4
				1	5pos. MCON 1.2 - Retainer	PA66-GF15	VIOLETT SIML. TO RAL 4006	3
				1	5pos. MCON 1.2 - Protec. Cover	PA6-GF45	VIOLETT SIML. TO RAL 9011	2
				1	5pos. MCON 1.2 - Recept. Hsg	PA66-GF30	GRAY SIML. TO RAL 4004	1
3-1718806-1	C	5pos. MCON 1.2 - LL Connector, Sealed	E	1	MCON 1.2 - CPA	PA46-GF15	GRAY SIML. TO RAL 7037	5
				1	5pos. MCON 1.2 - Seal	MVQ-30	NATURE	4
				1	5pos. MCON 1.2 - Retainer	PA66-GF15	VIOLETT SIML. TO RAL 4006	3
				1	5pos. MCON 1.2 - Protec. Cover	PA6-GF15	VIOLETT SIML. TO RAL 9011	2
				1	5pos. MCON 1.2 - Recept. Hsg	PA66-GF30	BLUE SIML. TO RAL 5012	1
2-1718806-1	B	5pos. MCON 1.2 - LL Connector, Sealed	E	1	MCON 1.2 - CPA	PA46-GF15	GRAY SIML. TO RAL 7037	5
				1	5pos. MCON 1.2 - Seal	MVQ-30	NATURE	4
				1	5pos. MCON 1.2 - Retainer	PA66-GF15	VIOLETT SIML. TO RAL 4006	3
				1	5pos. MCON 1.2 - Protec. Cover	PA6-GF15	BLACK SIML. TO RAL 9011	2
				1	5pos. MCON 1.2 - Recept. Hsg	PA66-GF30	NATURE	1
1-1718806-1	A	5pos. MCON 1.2 - LL Connector, Sealed	E	1	MCON 1.2 - CPA	PA46-GF15	GRAY SIML. TO RAL 7037	5
				1	5pos. MCON 1.2 - Seal	MVQ-30	NATURE	4
				1	5pos. MCON 1.2 - Retainer	PA66-GF15	VIOLETT SIML. TO RAL 4006	3
				1	5pos. MCON 1.2 - Protec. Cover	PA6-GF15	BLACK SIML. TO RAL 9011	2
				1	5pos. MCON 1.2 - Recept. Hsg	PA66-GF30	BLACK SIML. TO RAL 9011	1



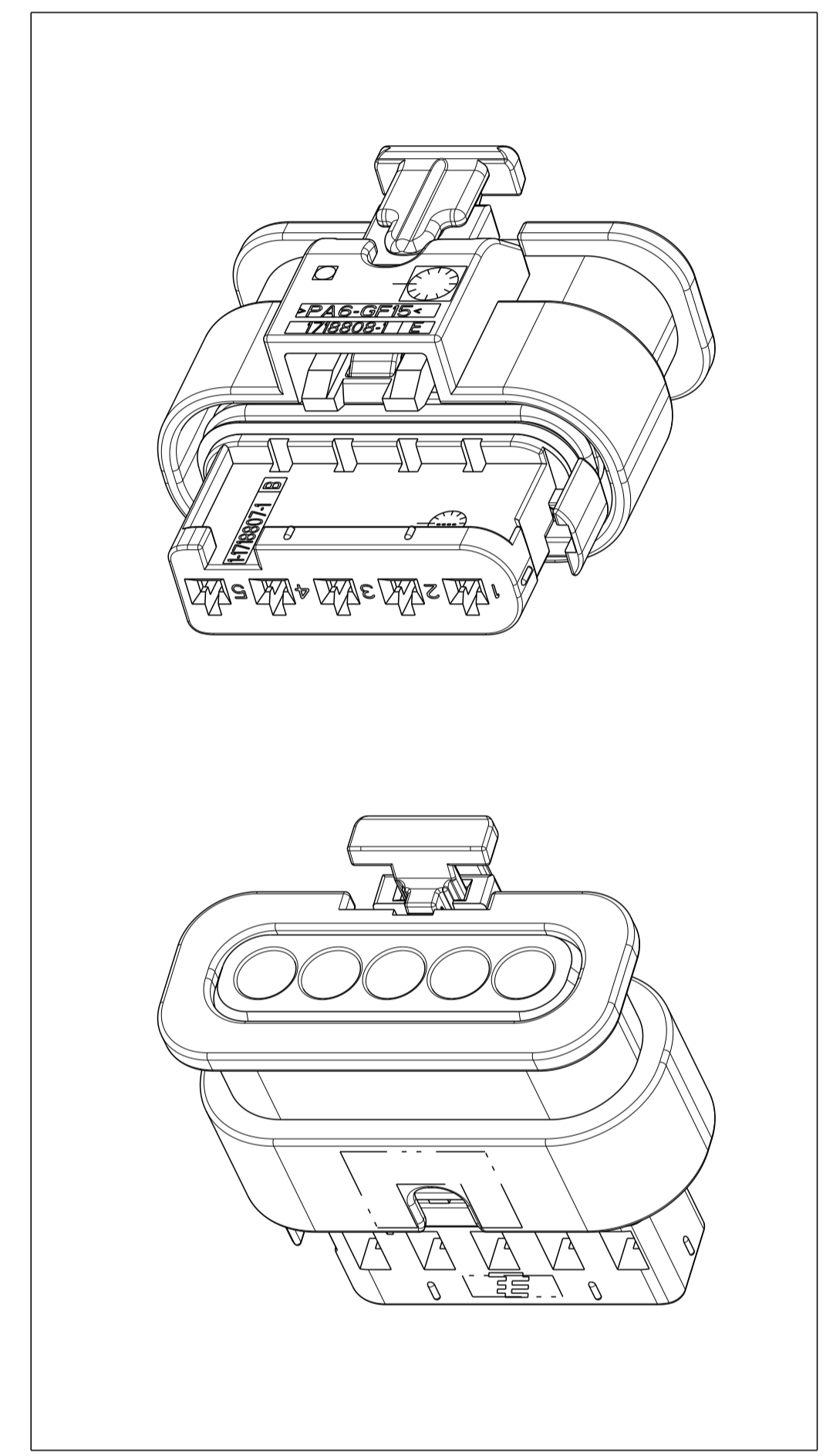
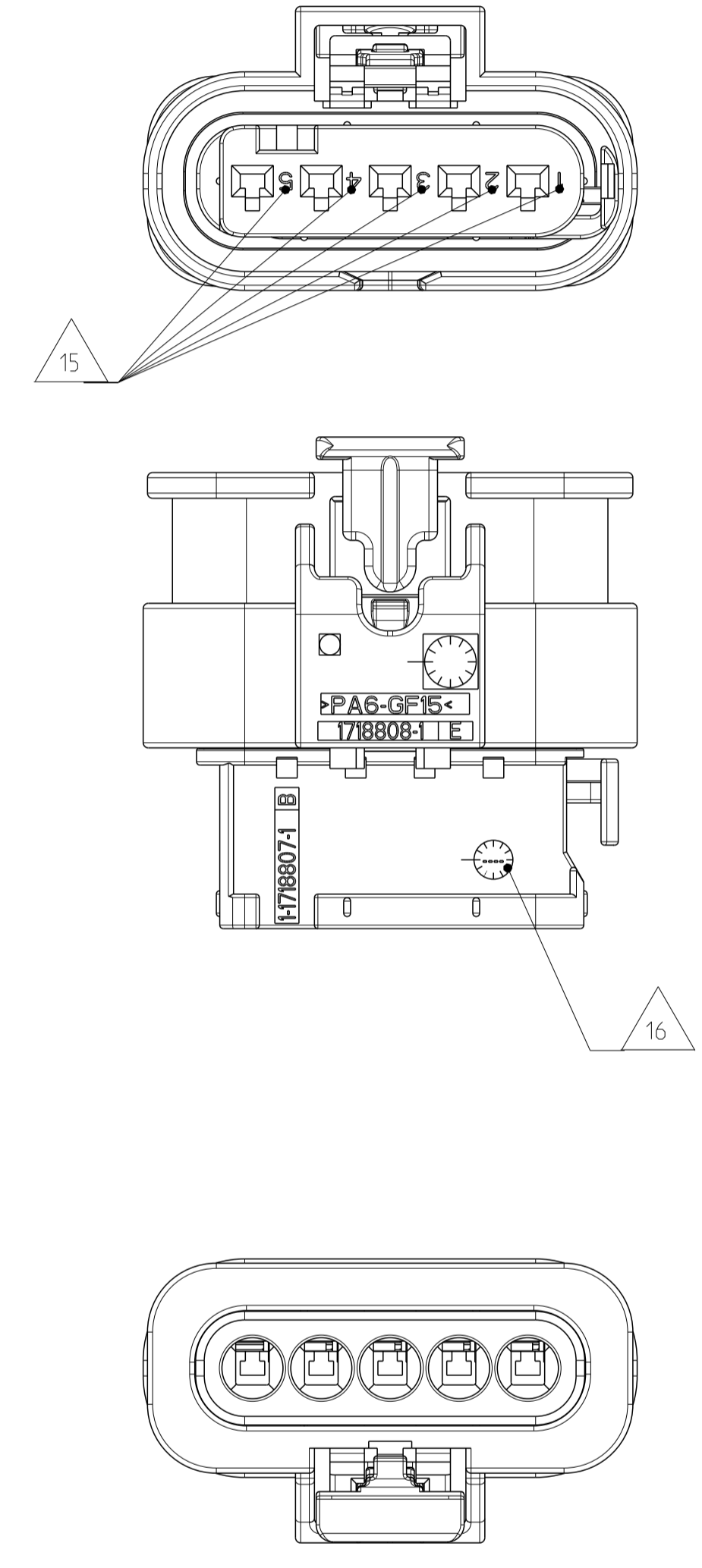
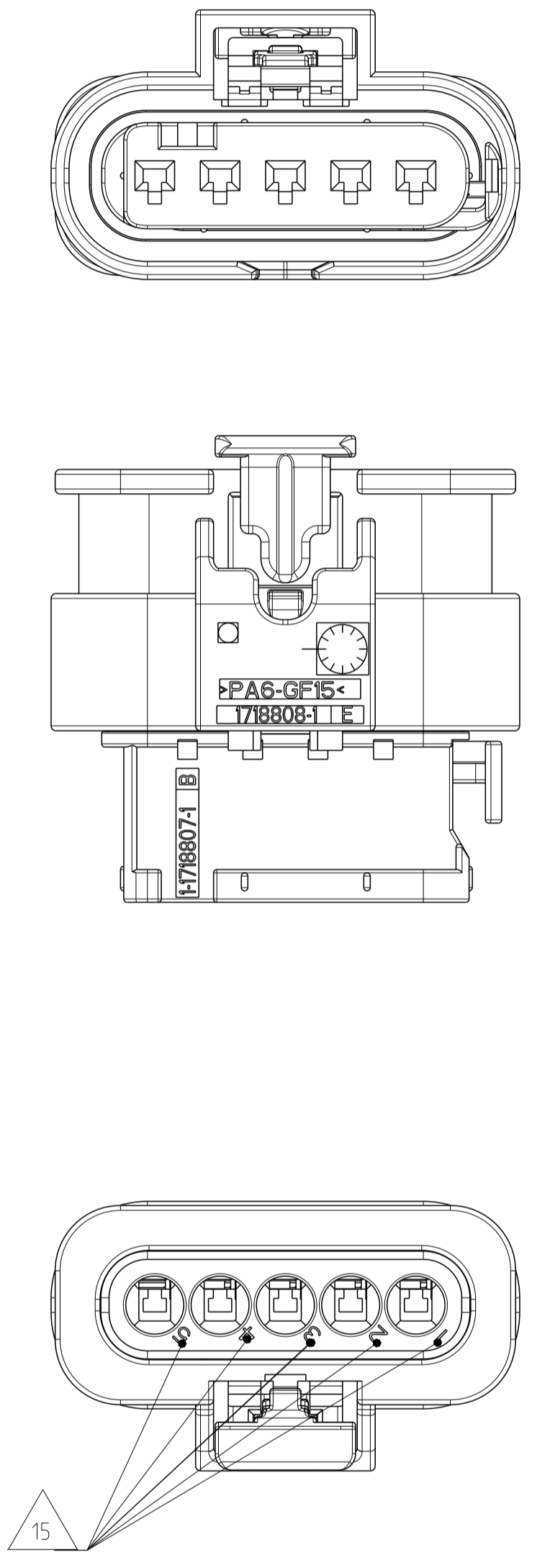
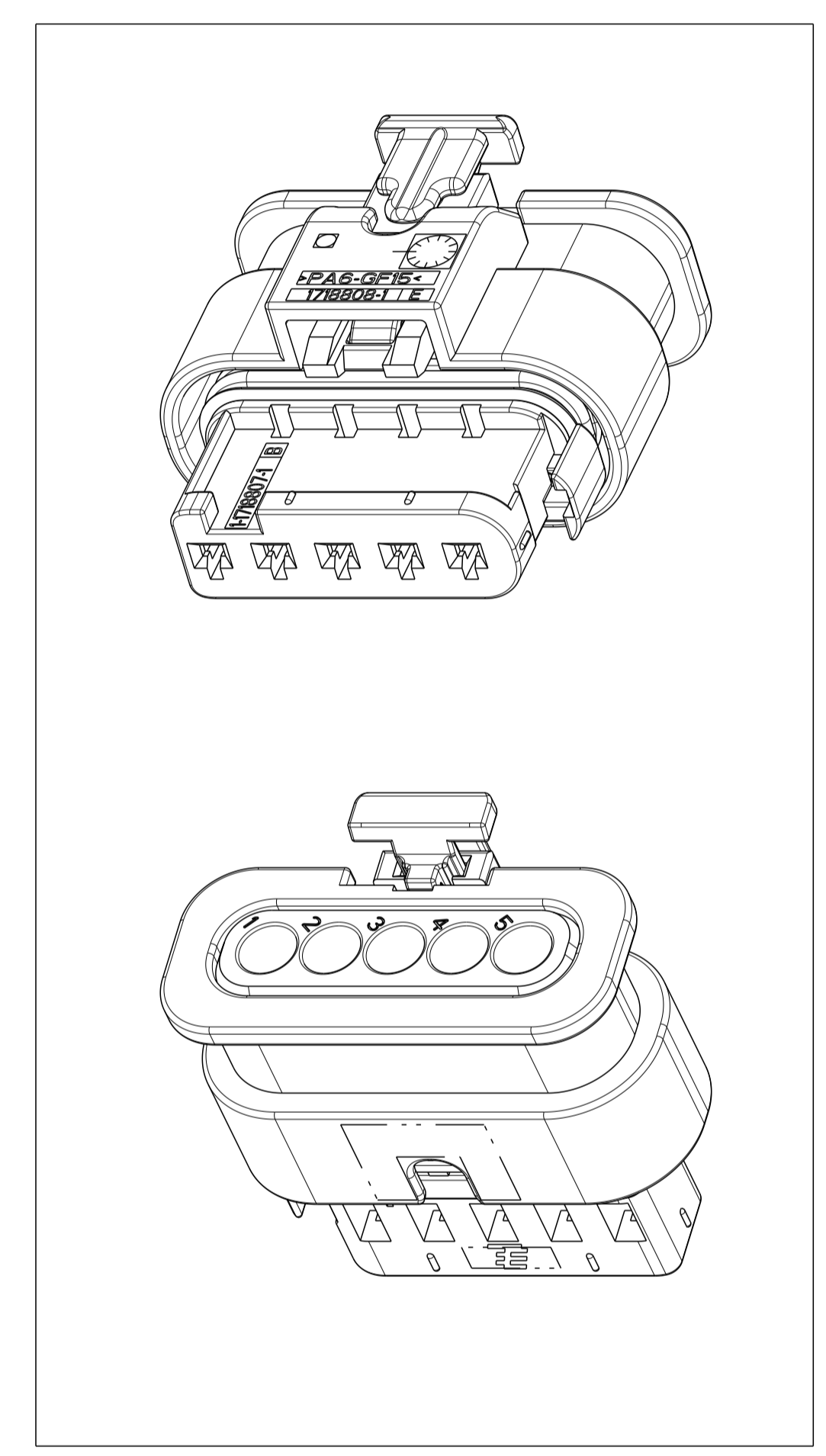
TOLERANCES UNLESS OTHERWISE SPECIFIED ACC. TO DIN 16901-140. CENTRIC TO NOMINAL DIMENSION. EDITION 1982-11 SHALL APPLY. Freimessstoleranzen nach DIN 16901-140. Es gilt die Ausgabe 1982-11.		DWN LG. Roth 09AUG2018		TE Connectivity
THIS DRAWING IS A CONTROLLED DOCUMENT.		CHK A. Schraebel 17FEB2005		
DIMENSIONS: mm	TOLERANCES UNLESS OTHERWISE SPECIFIED	PRODUCT SPEC	NAME	5pos. MCON 1.2 LL Connector, Sealed
0 PLC ±0.15	1 PLC ±0.1	108-18969	SIZE	A1
2 PLC ±0.13	3 PLC ±0.1	APPLICATION SPEC	CAGE CODE	00779
4 PLC ±0.075	5 PLC ±0.05	114-18861	DRAWING NO	1718806
6 PLC ±0.03	7 PLC ±0.02	WEIGHT	SHEET	1 OF 2
8 PLC ±0.015	9 PLC ±0.01	CUSTOMER DRAWING	SCALE	4:1
ANGLES			REV	E4

REVISIONS				
P.	LTN	DESCRIPTION	DATE	APVD
		SEE SHEET 1		

E3 Divergent marking for parts from various tools 3:1

Version 1

E3 Version 2



- E3** 15 Contact cavity marking
- 16 Date clock for inner housing

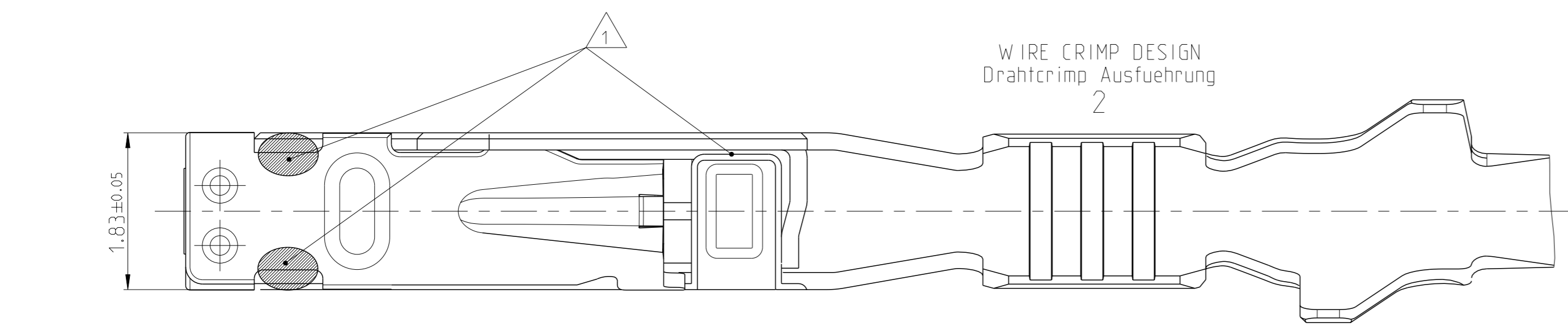
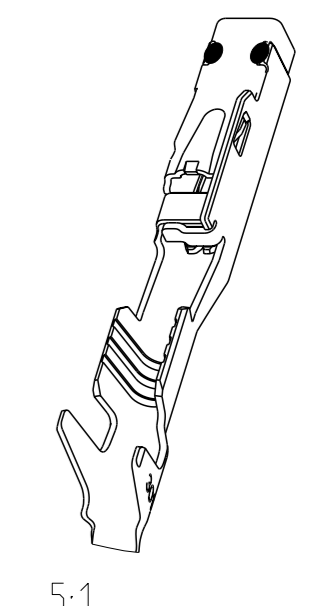
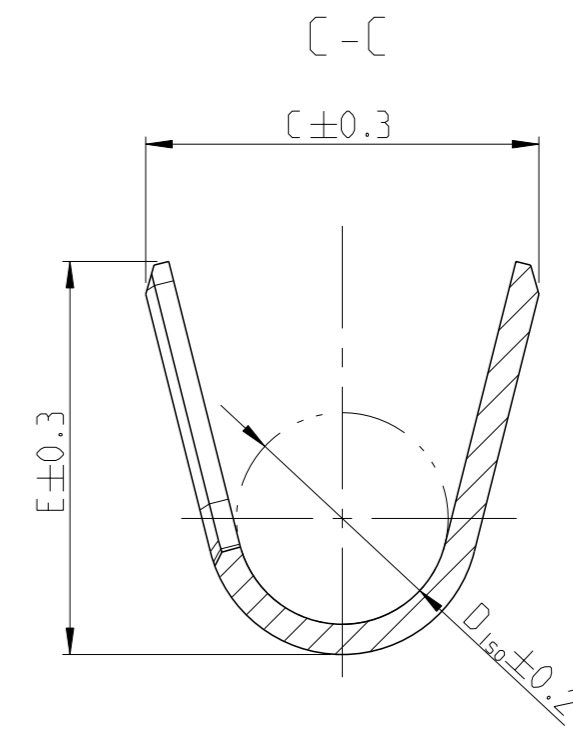
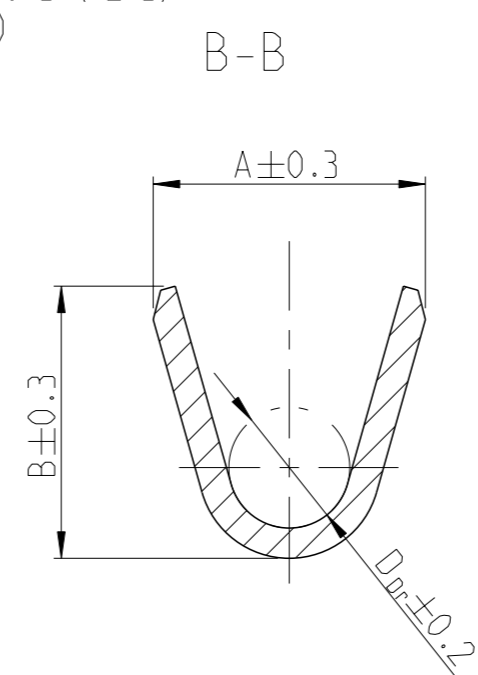
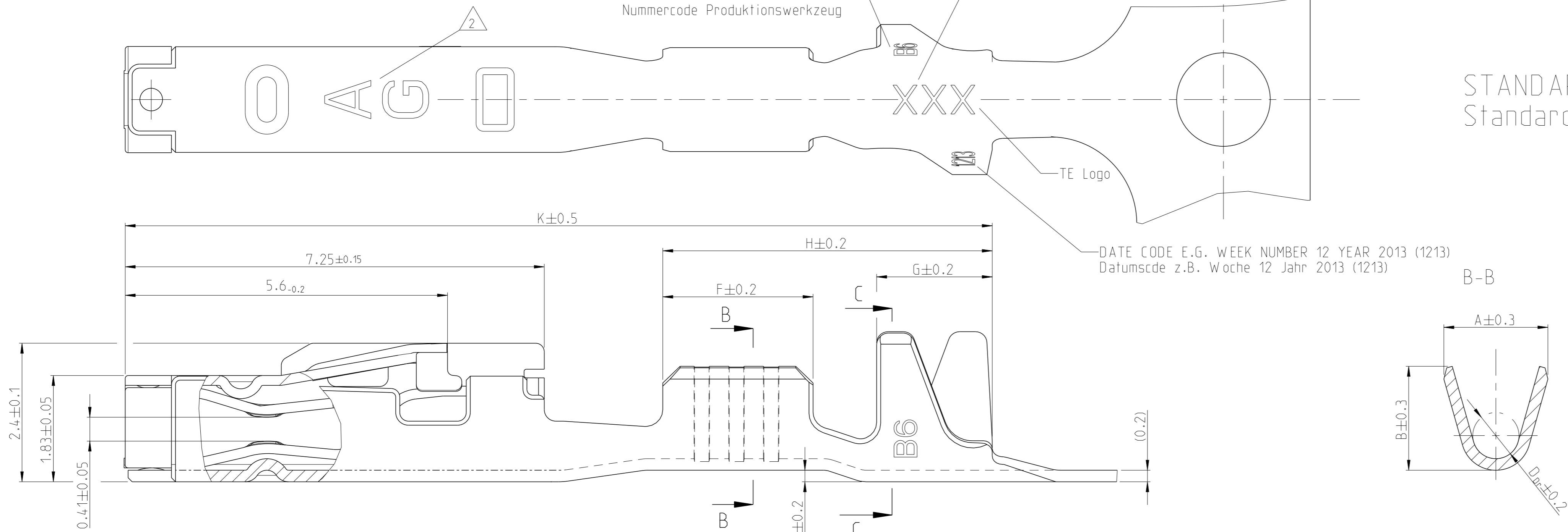
DIMENSIONS: mm		TOLERANCES UNLESS OTHERWISE SPECIFIED: 0 PLC ±0.5 1 PLC ±0.13 2 PLC ±0.075 3 PLC ±0.03 4 PLC ±0.0001		DWG: G. Roth 17FEB2005 CHK: A. Schraebel 17FEB2005 APVD: -		TE TE Connectivity	
MATERIAL: TBD		FINISH: -		WEIGHT: -		NAME: 5pos. MCON 1.2 LL Connector, Sealed	
CUSTOMER DRAWING		SCALE: 4:1		SHEET: 2 OF 2		RESTRICTED TO:	
THIS DRAWING IS A CONTROLLED DOCUMENT.		TOLERANCES UNLESS OTHERWISE SPECIFIED ACC. TO DIN 16901-140 @ CENTRIC TO NOMINAL DIMENSION, EDITION 1982-11 SHALL APPLY.		FREIHALBTOLERANZEN NACH DIN 16901-140 @. Es gilt die Ausgabe 1982-11.		SIZE: A1 CAGE CODE: 00779 DRAWING NO: C=1718806	

Project No. PRJ-11-000001417	LOC A1	DIST -	REVISIONS			
#	DATE	DESCRIPTION	DATE	OWN	APVD	
C4	06FEB2014	PN 2141861 and 2141970 active ECR-14-001724	06FEB2014	Abr	Raab	
C5	12JUN2014	ECR-14-008680 CANCELED	12JUN2014	Abr	Raab	
C6	25AUG2014	Name Changed to MCON 1.2 LL ECR-14-012725	25AUG2014	Abr	Raab	
C7	21DEC2017	See PCN E-17-018644	21DEC2017	FRAN	KURF	

REVISION Aenderungsstand /
NUMBER CODE PRODUCTION TOOL
Nummercode Produktionswerkzeug

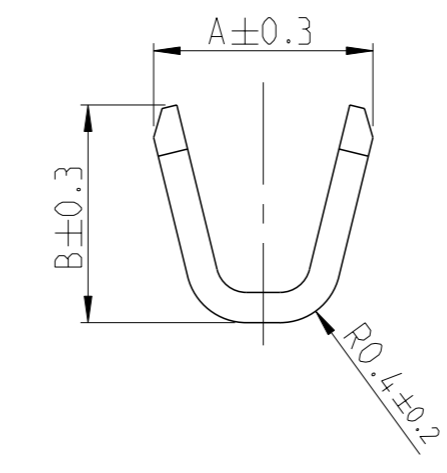
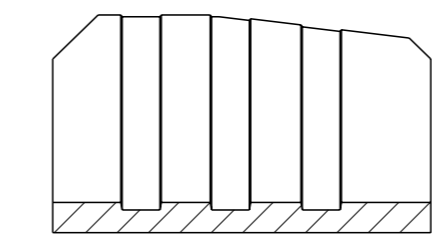
MANUFACTURING LOCATION CODE
Kennzahl Produktionsstandort

STANDARD APPLICATION
Standard Anwendung

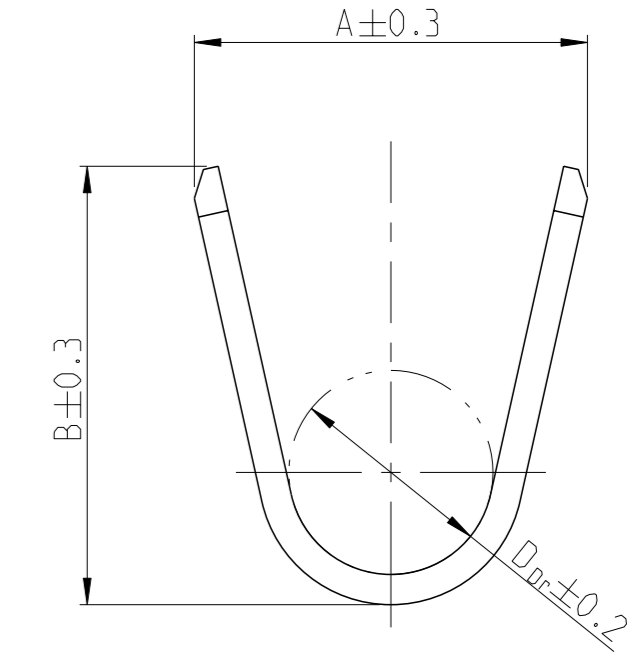
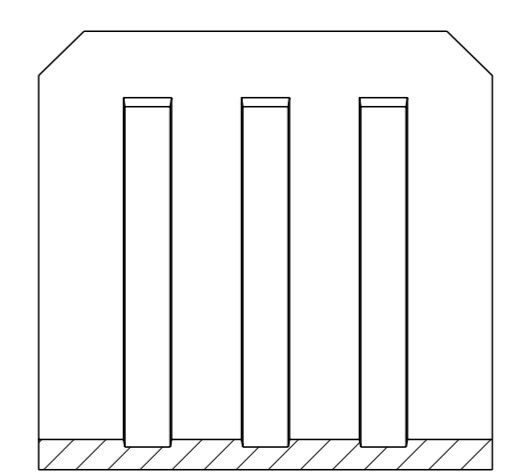


WIRE CRIMP DESIGN
Drahtcrimp Ausfuehrung
2

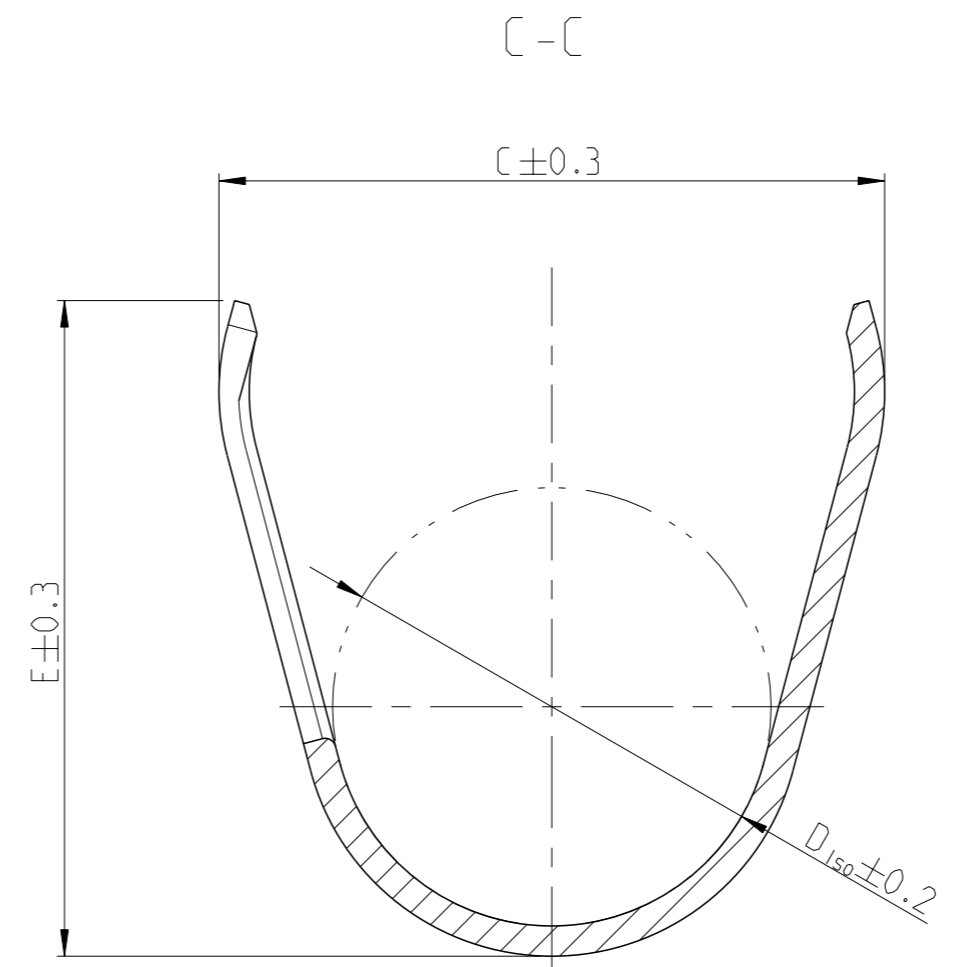
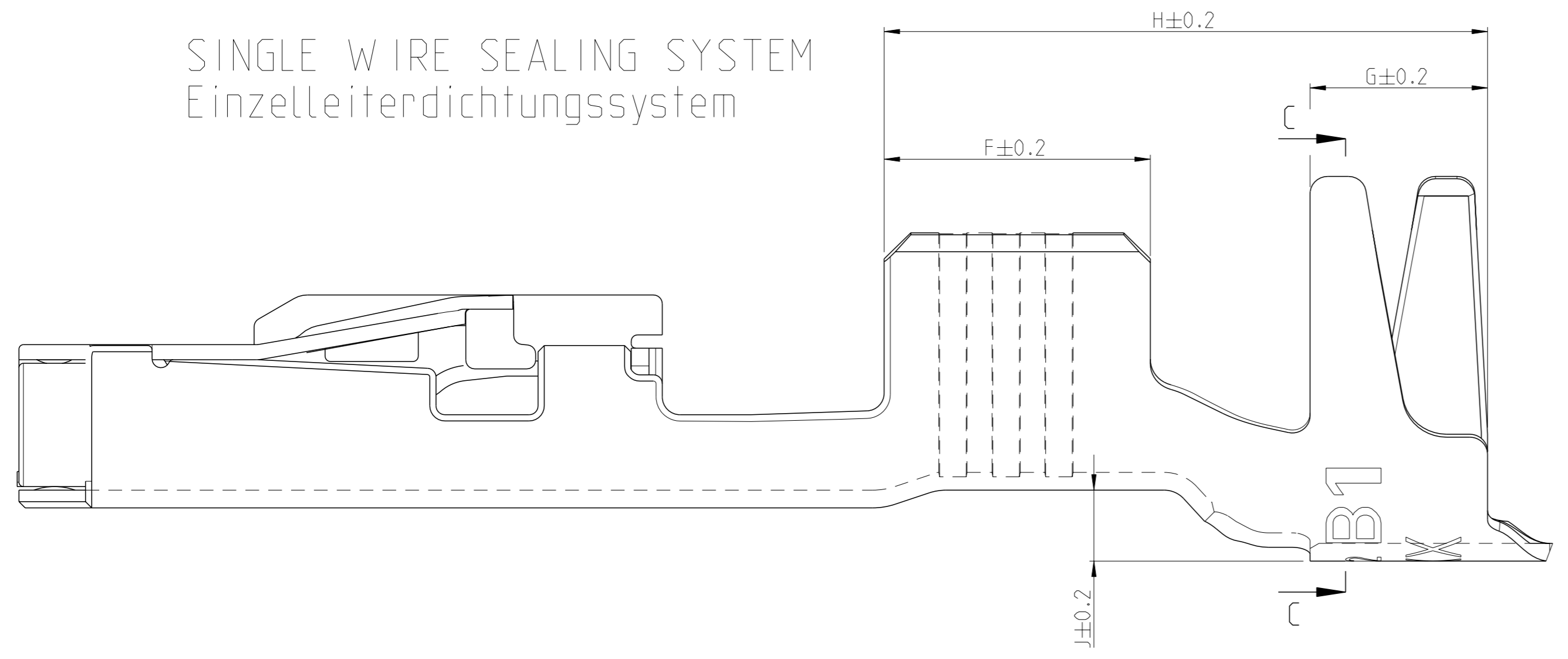
WIRE CRIMP DESIGN
Drahtcrimp Ausfuehrung
1



WIRE CRIMP DESIGN
Drahtcrimp Ausfuehrung
3



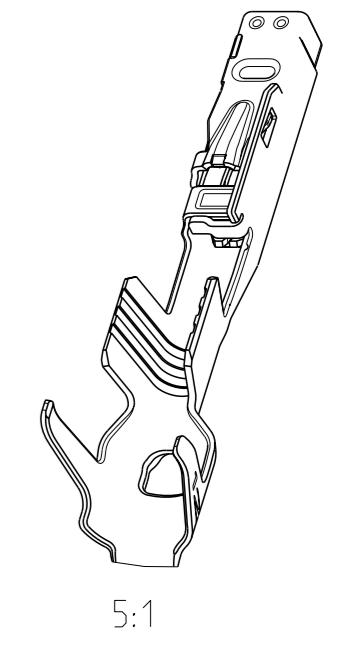
SINGLE WIRE SEALING SYSTEM
Einzelleiterdichtungssystem



NOTES
Bemerkungen

- 1 LASER WELDED
Lasergeschweisst
- 2 STAMPED INDICATOR FOR PLATING:
- AU GOLD PLATING
- AG SILVER PLATING
- TIN PLATING WITHOUT INDICATOR
Markierung fuer galvanische Ausfuehrung:
- AU vergoldet
- AG versilbert
- verzinkt: ohne Markierung

3 TO BE USED ON TAB
1.2±0.1 x 0.6±0.03 MM
geeignet fuer Flachstecker
1.2±0.1 x 0.6±0.03 mm



THIS DRAWING IS A CONTROLLED DOCUMENT.		OWN E. Horn	11NOV2011	STE TE Connectivity
DIMENSIONS: mm		CHK R. Meier	11NOV2011	
TOLERANCES UNLESS OTHERWISE SPECIFIED: ±0.2		APVD V. Seigel	11NOV2011	NAME MCON 1.2 LL (LOCKING-LANCE)
MATERIAL		PRODUCT SPEC 108-18782		SIZE 114-18464
FINISH		APPLICATION SPEC		RESTRICTED TO
ANGLES		WEIGHT 0.18 g		Customer Drawing
SCALE 20:1		SHEET 1 of 2		REV 7

LOC	DIST	REVISIONS			
		REV	DATE	OWN	APVD
A1	-	1	SEE SHEET 1	-	-

VERSION / Ausführung	REV.	RANGE Bereich	INSULATION-Ø Isolations-Ø (mm)	AWG	mm ²	BODY Kontakt-körper	SPRING Kontakt-feder	BODY Kontakt-körper	SPRING Kontakt-feder	DESIGN WIRE-CRIMP Ausführung Draht-Crimp	SINGLE WIRE SEAL FOR CAVITY DIAMETER											BLINDPLUG ORDER NO. Blindstopfen Bestell-Nr.	APPLICATION TOOLS Verarbeitungswerkzeuge	
											A	B	D _{Dr}	C	E	D _{ISO}	F	G	H	J	K			
STANDARD APPLICATION Standardanwendung	2141970-3	A	0.13-	0.95-	-	0.13	CuSn4	CuNiSi	8	7	1	1.5	1.4	-	4.0	3.9	2.6	2.5	1.9	6.2	0.6	16	SEE APPLICATION SPEC. 114-18464 siehe Verarbeitungsspez. 114-18464	
	2141970-2	A	0.22	0.95-	-	0.17				6														
	2141970-1	A	9	1.2	-	0.22				5														
	7-1452665-3	A	0.25-	1.1-	24	-				7														
	7-1452665-2	A	0.35	1.75	22	-				6														
	7-1452665-1	A	0.35	1.75	22	-				5														
	7-1452668-3	A	0.5-	1.4-	20	0.5				7														
	7-1452668-2	A	0.75	1.9	-	0.75				6														
	7-1452668-1	A	0.75	1.9	-	0.75				5														
	7-1452671-3	A	1-	1.9-	18	-				7														
	7-1452671-2	A	1.5	2.4	16	-				6														
	7-1452671-1	A	1.5	2.4	16	-				5														
STANDARD APPLICATION Standardanwendung	2141861-3	A	0.13-	0.95-	-	0.13	CuSn4	CuNiSi	8	7	1	1.5	1.4	-	2.0	1.9	1.1	2.5	1.7	5.4	0	15	SEE APPLICATION SPEC. 114-18464 siehe Verarbeitungsspez. 114-18464	
	2141861-2	A	0.22	0.95-	-	0.17				6														
	2141861-1	A	9	1.2	-	0.22				5														
	7-1452653-3	A	0.25-	1.1-	24	-				7														
	7-1452653-2	A	0.35	1.75	22	-				6														
	7-1452653-1	A	0.35	1.75	22	-				5														
	7-1452656-3	A	0.5-	1.4-	20	0.5				7														
	7-1452656-2	A	0.75	1.9	-	0.75				6														
	7-1452656-1	A	0.75	1.9	-	0.75				5														
	7-1452659-3	A	1-	1.9-	18	-				7														
	7-1452659-2	A	1.5	2.4	16	-				6														
	7-1452659-1	A	1.5	2.4	16	-				5														

7- VARIANTS FOR NEW APPLICATIONS

- NOTES
Bemerkungen
- 4 ONLY FOR FLR-WIRE SEE DIN 72551, PART 6 AND AWG WIRE ACCORDING DC-SPEC: MS-8288 ; MS-7889 ; MS-9532
Nur fuer FLR-Leitung nach DIN 72551, Teil 6 und AWG Leitung nach DC-SPEC: MS-8288 ; MS-7889 ; MS-9532
 - 5 PRE TIN SnAg 1.0 TO 3.0µm
Vorverzinnt SnAg 1.0 bis 3.0µm
 - 6 SPRING GOLD PLATED MIN. 0.8µm (only contact area)
Kontaktfeder galv. vergoldet min.0.8µm (nur Kontaktzone)
 - 7 SPRING SILVER PLATED 2.0 TO 5.0µm (only contact area)
Kontaktfeder galv. versilbert 2.0 bis 5.0µm (nur Kontaktzone)
 - 8 BODY PRE TIN Sn 1.0 TO 3.0µm
Kontaktkoerper vorverzinnt Sn 1.0 bis 3.0µm
 - 9 REINFORCED WIRE ACCORDING TO LV 112-4
Zugverstaerkte Leitung nach LV 112-4

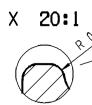
VERSION / Ausführung	REV.	RANGE Bereich	INSULATION-Ø Isolations-Ø (mm)	AWG	mm ²	BODY Kontakt-körper	SPRING Kontakt-feder	BODY Kontakt-körper	SPRING Kontakt-feder	DESIGN WIRE-CRIMP Ausführung Draht-Crimp	SINGLE WIRE SEAL FOR CAVITY DIAMETER											BLINDPLUG ORDER NO. Blindstopfen Bestell-Nr.	APPLICATION TOOLS Verarbeitungswerkzeuge	
											A	B	D _{Dr}	C	E	D _{ISO}	F	G	H	J	K			
STANDARD APPLICATION Standardanwendung	0-1452665-3	B	0.25-	1.1-	24	-	CuSn0.15/0.2	CuNiSi	5	7	2	1.8	1.8	0.8	4.2	4.3	2.6	2.6	2.0	6.4	0.8	16	SEE APPLICATION SPEC. 114-18464 siehe Verarbeitungsspez. 114-18464	
	0-1452665-2	B	0.35	1.75	22	-				6														
	0-1452665-1	B	0.35	1.75	22	-				5														
	0-1452668-3	C	0.5-	1.4-	20	0.5				7														
	0-1452668-2	C	0.75	1.9	-	0.75				6														
	0-1452668-1	C	0.75	1.9	-	0.75				5														
	0-1452671-3	B	1-	1.9-	18	-				7														
	0-1452671-2	B	1.5	2.4	16	-				6														
	0-1452671-1	B	1.5	2.4	16	-				5														
	0-1452653-3	B	0.25-	1.1-	24	-				7														
	0-1452653-2	B	0.35	1.75	22	-				6														
	0-1452653-1	B	0.35	1.75	22	-				5														
0-1452656-3	C	0.5-	1.4-	20	0.5	7																		
0-1452656-2	C	0.75	1.9	-	0.75	6																		
0-1452656-1	C	0.75	1.9	-	0.75	5																		
0-1452659-3	B	1-	1.9-	18	-	7																		
0-1452659-2	B	1.5	2.4	16	-	6																		
0-1452659-1	B	1.5	2.4	16	-	5																		

0- VARIANTS SUPERSEDED BY 7- VARIANTS (SEE TABLE ON TOP)

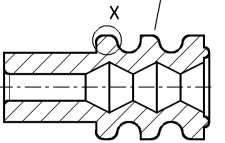
THIS DRAWING IS A CONTROLLED DOCUMENT.

OWN: E. Horn	11NOV2011		NAME: MCON 1.2 LL (LOCKING-LANCE)
CHK: R. Meier	11NOV2011		SIZE: A1
APVD: V. Seigel	11NOV2011		CAGE CODE: 00779
PRODUCT SPEC: 108-18782	APPLICATION SPEC: 114-18464		DRAWING NO: 1452674
MATERIAL: -	FINISH: -	WEIGHT: -	RESTRICTED TO: -
Customer Drawing		SCALE: -	SHEET: 2 OF 2

alternatively only for / wahlweise nur fuer:
 ID-Nr.: 401 257 / Part-No.: 1532791B
 ID-Nr.: 406 131 / Part-No.: 1532791B
 ID-Nr.: 406 129 / Part-No.: 15339412



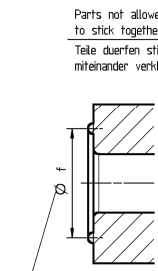
middle sealing lip alternatively bent only for:
 mittlere Dichtlippe wahlweise gedreht nur fuer:
 ID-Nr.: 401 257 / Part-No.: 1532791B
 ID-Nr.: 406 131 / Part-No.: 1532791B
 ID-Nr.: 406 129 / Part-No.: 15339412



Parts not allowed on front face to stick together (afd.-Nr.: 4-6)
 Teile duerfen stimsseitig nicht miteinander verkleben (afd.-Nr.: 4-6)

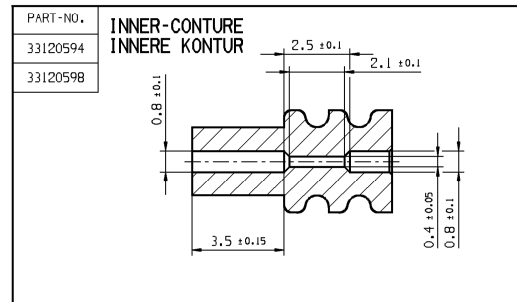
revolve round optionally interrupt injection point possible
 umlaufend wahlweise unterbrochen Anspritzung moeglich

parting line / injection point possible
 Werkzeugtrennung / Anspritzung moeglich



flange only for Pos.: 7-11,19,20
 Ausfuehrung nur fuer Pos.: 7-11,19,20

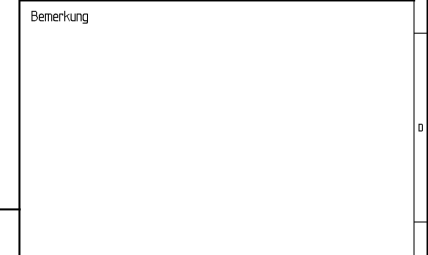
Loose / Lose				Put on the belt / geguert				Pos.	Cbl.φ Ltg.φ	Cable cross-section mm ² altern. Leitungsquerschnitt mm ² wahlw.		Color Farbe	SIM RAL	Dimension φ Mass φ					
ID-Nr.:	Part-No.:	Part REV	Date Datum	ID-Nr.:	Part-No.:	Part-REV	Date Datum			FLY	FLRY			ax,0.1	bx,0.2	cx,0.2	dx,0.1	e ^{+0.1} _{-0.2}	fs,0.2
Seal for female-terminal 1,5 mm and tab-terminal 1,5 mm Dichtung fuer Flachsteckhuelse 1,5 mm und Flachstecker 1,5 mm																			
---	33120594	01	310C13	---	---	---	---	0,8-12	0,08-0,13	black schwarz	9011	---	---	2,6	3,9	2,6	---		
406 131	1532791B	42	13JN00	---	---	---	2	12-16	0,35-0,5	wine red weinrot	3027	0,8	1,4	2,6	3,9	2,6	---		
401 257	1532791B	42	13JN00	401 258	15344666	42	13JN00	1	12-2,0	gray gelb	7000	1,0	1,9	2,6	3,9	2,6	---		
---	15344778	37	05MY99	---	---	---	12	1,4-2,0	0,5-1,0	green gruenn	6010	1,0	1,9	2,6	3,9	2,6	---		
406 129	15339412	42	13JN00	---	---	---	3	1,9-2,1	0,75-1,5	maize maisgelb	1007	1,5	1,9	2,6	3,9	2,6	---		
---	13735535	01	150C08	---	---	01	150C08	21	12-2,0	yellow gelb	1016	1,0	1,9	2,6	3,9	2,6	---		
---	13735527	01	150C08	---	---	01	150C08	22	12-2,0	green gruenn	6010	1,0	1,9	2,6	3,9	2,6	---		
Seal for female-terminal 2,8 mm and tab-terminal 2,8 mm Dichtung fuer Flachsteckhuelse 2,8 mm und Flachstecker 2,8 mm																			
---	33120598	01	310C13	---	---	---	---	0,8-12	0,08-0,13	wine red weinrot	3027	---	---	3,4	5,65	4,5	---		
401 199	15327860	42	13JN00	401 198	10718144	42	13JN00	4	12-2,0	blue blau	5010	0,8	1,6	3,4	5,65	4,5	---		
---	15498732	01	250C04	---	---	---	15	12-2,0	0,35	gray grau	7000	0,8	1,6	3,4	5,65	4,5	---		
404 924	10720901	01	11MY04	---	---	---	14	12-2,0	0,35	orange orange	2004	0,8	1,6	3,4	5,65	4,5	---		
401 187	15327863	42	13JN00	401 188	15344643	42	13JN00	5	2,0-2,7	red / brown rot / braun	3011	1,6	2,2	3,4	5,65	4,5	---		
401 259	15327859	42	13JN00	401 260	10720641	42	13JN00	6	2,7-3	maize maisgelb	1007	2,2	3,0	3,4	5,65	4,5	---		
Seal for female-terminal 4,8 mm and tab-terminal 4,8 mm Dichtung fuer Flachsteckhuelse 4,8 mm und Flachstecker 4,8 mm																			
401 201	15363779	42	13JN00	401 200	15344644	42	13JN00	7	12-2,0	yellow gelb	1016	0,8	1,6	6,0	9,0	7,2	3,4		
401 203	15363604	42	13JN00	401 202	15344645	42	13JN00	8	2,0-2,7	white weiss	9010	1,6	2,2	6,0	9,0	7,2	3,7		
401 205	15327864	42	13JN00	401 204	15337204	42	13JN00	9	2,7-3,8	red / brown rot / braun	3011	2,2	3,0	6,0	9,0	7,2	4,1		
401 208	15363605	42	13JN00	401 207	15344646	42	13JN00	10	4,0-4,5	green gruenn	6010	3,2	3,9	6,0	9,0	7,2	4,6		
401 210	15344647	42	13JN00	401 209	15344404	42	13JN00	11	4,7-5,3	gray grau	7000	3,8	4,8	6,5	9,0	7,2	5,15		
---	13735454	01	150C08	---	---	01	150C08	19	2,7-3,8	blue blau	5010	2,2	3,0	6,0	9,0	7,2	4,1		
---	13735480	01	150C08	---	---	01	150C08	20	2,7-3,8	green gruenn	6010	2,2	3,0	6,0	9,0	7,2	4,1		



Remarks :
 - Material: Silicone, self-lubricated,
 Tensile strength: Rm min. 6,2 Nm/mm²
 Gap argumentation > 375% DIN 53 504-52
 ozoneresistant, heatresistant -40 to +180°C
 gauged on testboard

Bemerkungen :
 - Werkstoff: Silikon, selbstschmierend,
 Zugfestigkeit: Rm min. 6,2 Nm/mm²
 Reissdehnung > 375% DIN 53 504-52
 ozonbestaendig, temperaturbestaendig -40 bis +180°C
 gemessen an Pruefplatten

Zone	DWG Status REV IN P/DWG	Revision history	Date	Name	Check	St. GH
01	01	Initial release Fragebogen	16JUN00	U.Tor.	J.Moch	R.Wis.
D12	01	AA ID-Nr.: 403 960 und Part-No.: 07207A deleted ID-Nr.: 607 960 und Part-No.: 07207A corrected	05DEC02	Frimm	Cvasa	R.Wis.
C12	01	AB ID-Nr.: 608 447 und Part-No.: 076347 deleted ID-Nr.: 608 447 und Part-No.: 076347 corrected	05DEC02	Frimm	Cvasa	R.Wis.
B12	01	AC Cable φ 2,8-3,8 was 2,8-2,9 Cable φ 2,8-3,8 was 2,8-2,9	05DEC02	Frimm	Cvasa	R.Wis.
C9	01	AD Cable φ 17-21 was 17-21 Cable φ 17-21 was 17-21	17DEC03	Frimm	Cvasa	R.Wis.
C11	02	AE Part-No.: 072090 added Part-No.: 072090 Minus	11MY04	Frimm	Cvasa	R.Wis.
C11	03	AF Part-No.: 050872 added Part-No.: 050872 Minus	25OC04	Frimm	Cvasa	R.Wis.
C9	03	AA Part-REV / Date corrected Part-REV / Datum korrigiert	24MY05	Frimm	Cvasa	R.Wis.
C/D11	03	AC Part-No.: 052708 Rev. 02, 01000 was 30, 02187 Part-No.: 052708 Rev. 02, 01000 was 30, 02187	23AUG05	Frimm	Cvasa	R.Wis.
D6-12	04	AG Part-No.: 054461, 054462 added Part-No.: 054461, 054462 Minus	---	---	---	---
B4	AA	Remark No. 1 added Part-No.: 059644 added Part-No.: 059644 Minus	30SEP05	Frimm	Cvasa	R.Wis.
D6-12	05	Part-No.: 059644 added Part-No.: 059644 Minus	16MY06	Frimm	Cvasa	R.Wis.
C7	06	Green was added Part-No.: 059644 Green was deleted Part-No.: 059644	27JUL06	Frimm	Cvasa	R.Wis.
A9	06	AA Cable 2,8-3,8 was 2,8-2,9 Part-No.: 053766A Cable 2,8-3,8 was 2,8-2,9 Part-No.: 053766A	06OC06	Frimm	Cvasa	R.Wis.
A9	06	AB Cable 2,8-3,8 was 2,8-2,9 Part-No.: 053766A Cable 2,8-3,8 was 2,8-2,9 Part-No.: 053766A	08NO06	Frimm	Cvasa	R.Wis.
A-D9	06	AC Pos-Numbering changed according to D-drawing Pos-Nummerierung an D-Zeichnung angepasst	26JAO7	Frimm	Cvasa	P.Les.
C-A6	07	Part 075244, 075240, 075235, 075237 added Teile 075244, 075240, 075235, 075237 Minus	15OC08	W.Szo	Frimm	K.PH
D12	08	Part-No.: 054461, 054462, 059644 deleted Teile: 054461, 054462, 059644 entfernt	09DEC09	V.Kas	J.Saf	SYS
C8	08	AA Cable cross section for Part-No. 0539412 changed Kabelquerschnitt fuer Teil-Nr. 0539412 geaendert	01OC13	K.Wir.	T.Plin	SYS
E12	09	Part 310094 and 310098 added Teile 310094 und 310098 Minus	31OC13	A.HHG	A.URB	SYS
FB	09	AA DIM 1,6 FORMED MASS 1,6 ENTFORMT	30JUN14	A.HHG	A.URB	SYS
09	AB	DRKS corrected in BOM DRKS korrigiert in Stückliste	30AP15	V.KAS	K.STO	SYS
09	AC	RAL 107 WAS RAL 106 INFERRING ERROR RAL 107 WAR RAL 106 SCHWENKUNTER	28JUN16	V.KAS	K.STO	SYS
E7	09	AD SH RAL ADDENDUM	13JUL16	R.MDL	V.KAS	SYS
F11	09	AE POSITIONS R AND TO ADDED / POSITIONEN R UND ZU ERGAEUNGT	10AUG16	P.SCH	E.OSW	SYS
C8	09	AF CABLE DIAMETER CHANGED - WHITE ERROR KABELDIAMETER GEAEANDERT - SCHWEIFELER	09JAN17	P.SCH	V.KAS	SYS
A-B6	09	AG CABLE DIAM FROM MAX. 2,9 TO 2,7 CORRECTED KABELDIAM. VON MAX. 2,9 ZU 2,7 KORRIGIERT	20JUL17	V.KAS	T.BOL	SYS
B9	09	AH CABLE DIAM FROM MAX. 2,9 TO 3 CORRECTED KABELDIAM. VON MAX. 2,9 ZU 3 KORRIGIERT	05OC18	T.MAZ	V.KAS	SYS



Scale/Massstab	Scale/Massstab
1:1	5:1

Results of this document and given B to others and the use or consideration of the contents thereof, are forbidden without express authority. Offenses are liable to the payment of damages. All rights are reserved in the event of the grant of a patent or the registration of a utility model or design. Verboten ohne vorherige schriftliche Genehmigung, die Verbreitung des Inhalts dieses Dokuments an Dritte zu leisten. Zuwiderhandlungen verpflichten zu Schadenersatz. Alle Rechte sind vorbehalten. In the event of the grant of a patent or the registration of a utility model or design.

DELPHI
 D - 42119 WUPPERTAL

Part No. / Teil-Nr.: see chart / siehe Tabelle
 Date / Datum: 16JUN00 / U.Tor.
 Drawn by / Gezeichnet von: 06JUL00 / J.Moch
 Checked by / Geprüft von: 11JUL00 / R.Wis.

Dimensions without tolerance / Maesse ohne Toleranzangabe: ± 0,2
 Dimensions with tolerance / Maesse mit Toleranzangabe: ± 0,2

Projection/Projection: 1st angle / 1. Winkel
 Drawing scale / Zeichnungsmaassstab: 1:1
 Sheet / Blatt: 1 of 1
 Status: D

Eintragung der Originalzeichnung / Original design: Drawing - No.: 15446589
 Format: A1

DELPHI

DELPHI

CONTROL DOCUMENTS ARE ONLY AVAILABLE ON THE SERVER