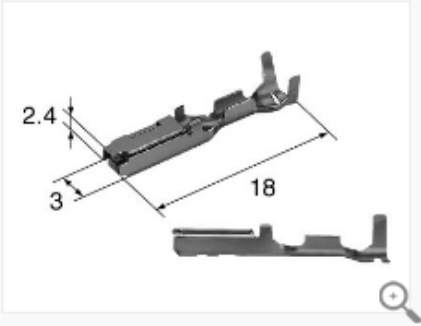


M 101429

SCHEMA TECNICA

Product information



(Unit : mm)

[Contact us for products](#)

8100-1429

[DL sealed series](#) [TL sealed series](#) [SL sealed series](#)

Terminal For AV Wire

2.3mm(090)

Sealed/Unsealed	sealed
Male/Female	F
Tab Size	2.3mm(090)
Size	M
Mating parts	8230-4562 (DL sealed series/HX sealed series/TL sealed series/SL sealed series)

Applicable wire size	0.75-0.85mm ²
Materials	Heat-resistant copper alloy
Surface treatment	Tin-plated
Contact resistance	Initial 3mΩ Max. after durability tests 10mΩ Max.
Leak current	100μA Max.
Insulation resistance	100MΩ Min.

Note This part is applicable to use for both new type and old type.
For terminal selection, please contact our sales staff.




mes connettori
componenti per il cablaggio