

M 106462-K



MINIKIT

Proseguire nella pagina successiva per visualizzare la scheda tecnica dei componenti

Revisione	Prodotto
REV.00 15/04/2026	AfterMarket

4

3

2

1

THIS DRAWING IS UNPUBLISHED. RELEASED FOR PUBLICATION
 © COPYRIGHT - By - ALL RIGHTS RESERVED.

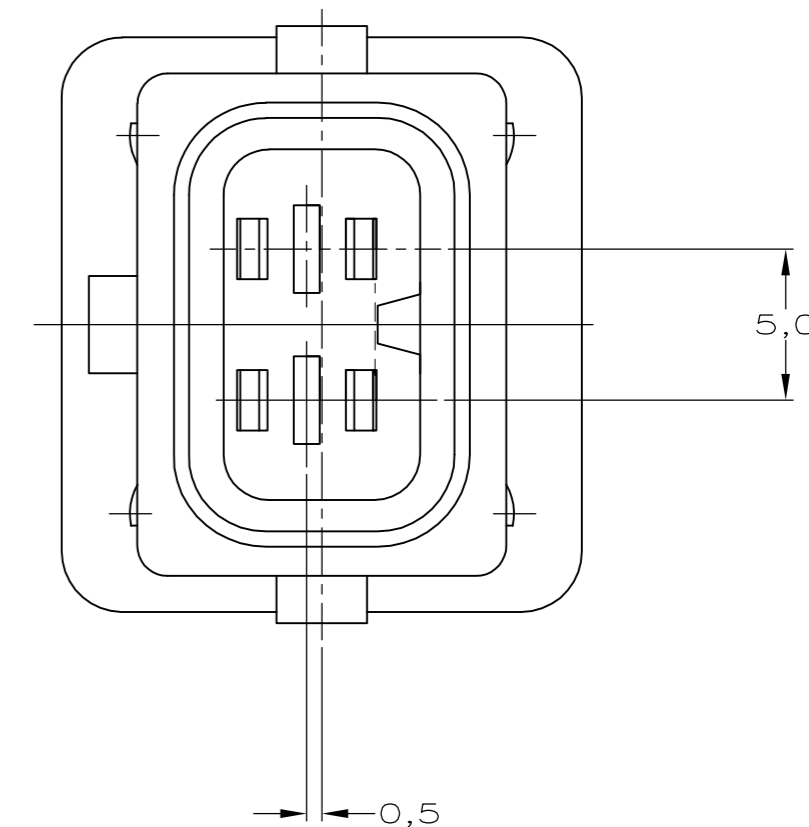
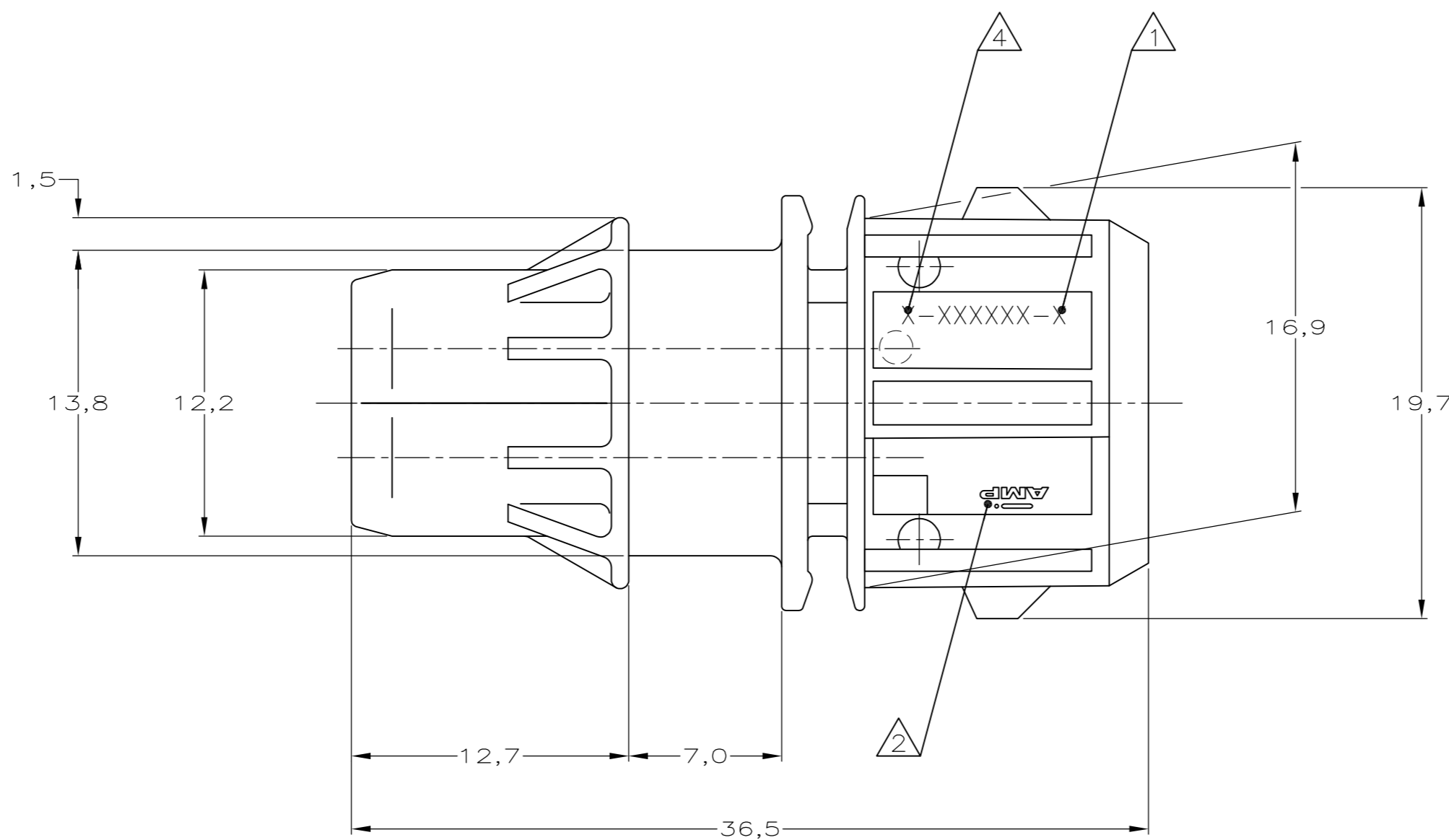
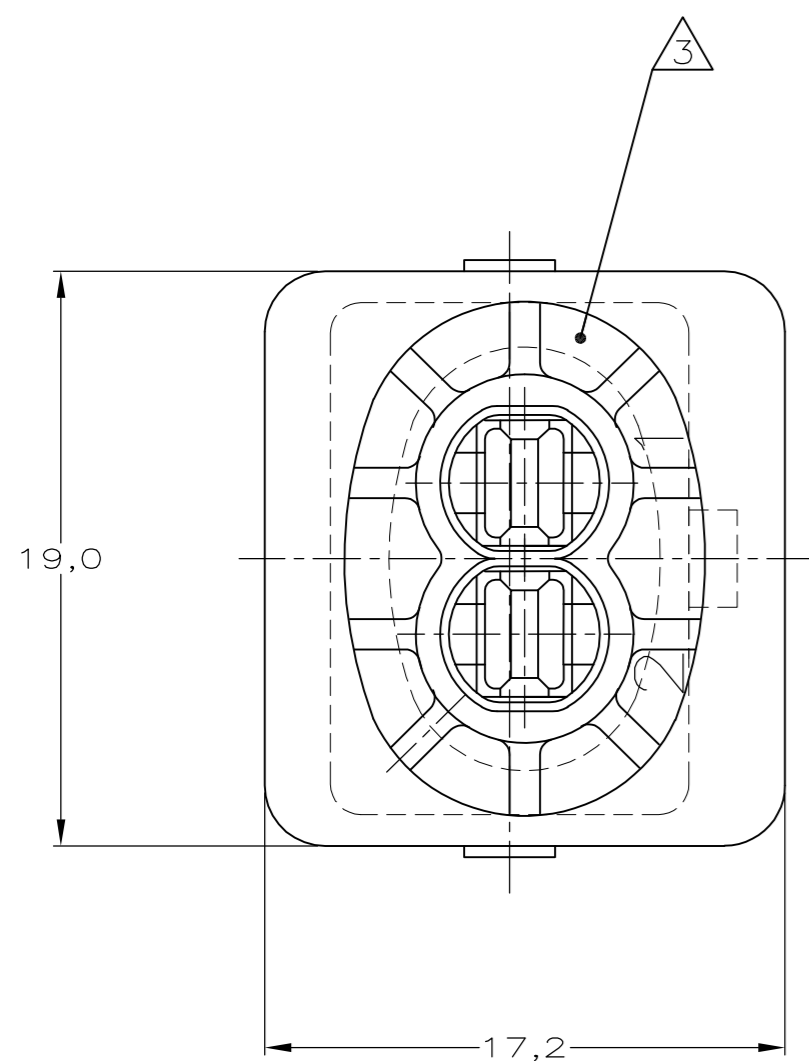
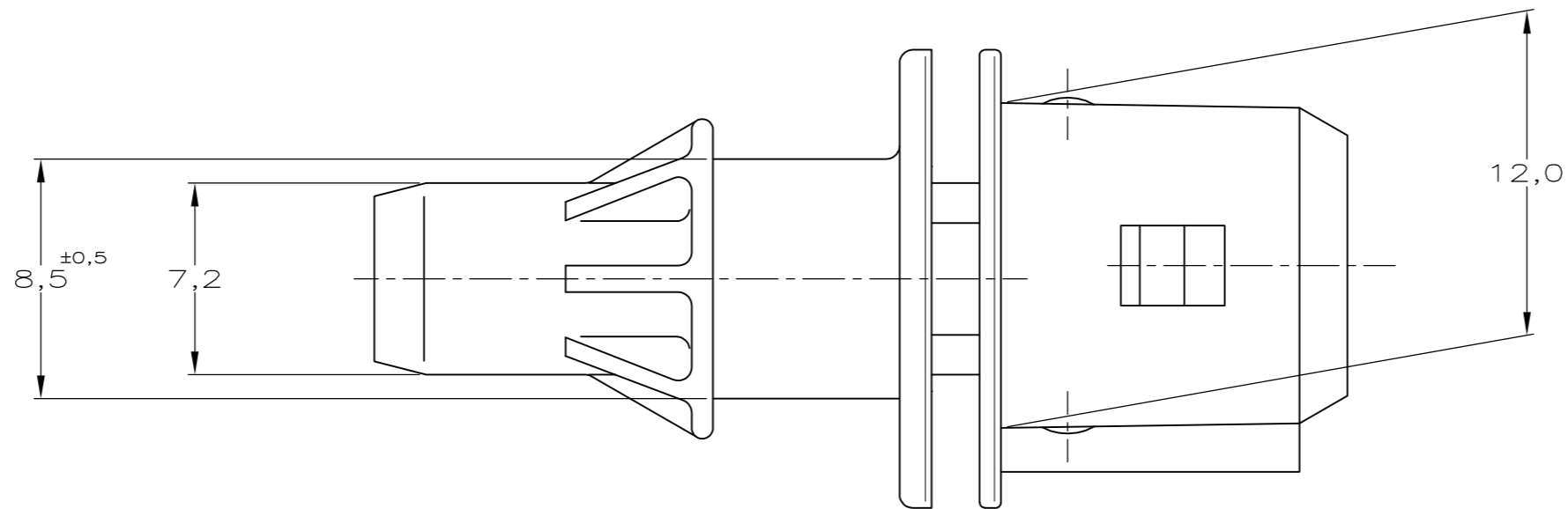
METRIC

LOC	DIST
-	-

REVISIONS				DATE	DWN	APVD
P	LTR	DESCRIPTION				
E1		REVISED PER ECO-11-005150	19MAR11	RK	HMR	
E2		ECR-13-018496	02DEC2013	VK	BB	

NOTES:

- ▲ PARTNUMBER IDENTIFICATION.
- ▲ AMP TRADE MARK.
- ▲ CAVITY IDENTIFICATION.
- ▲ POCKET IDENTIFICATION.
- 5 FITS TO HOUSING JR TIMER 282189-1 AND 827551-1.



THIS DRAWING IS A CONTROLLED DOCUMENT.

DIMENSIONS:	TOLERANCES UNLESS OTHERWISE SPECIFIED:
mm	± 0.5 mm
0 PLC	± -
1 PLC	± -
2 PLC	± -
3 PLC	± -
4 PLC	± -
ANGLES	± -
MATERIAL	FINISH
-	-

DWN	-	BLACK	PBT	106462-1
CHK	D.KESSLER	FINISH	MATERIAL	PARTNUMBER
5 SEP 00				
APVD	M. v DRIEL			
5 SEP 00		NAME		
PRODUCT SPEC		2 POS. 2.8mm TAB HOUSING		
APPLICATION SPEC		SIZE	CAGE CODE	DRAWING NO
		A2	00779	C=106462
WEIGHT	-	SCALE	SHEET	REV
CUSTOMER DRAWING	-	-	1 of 1	E2

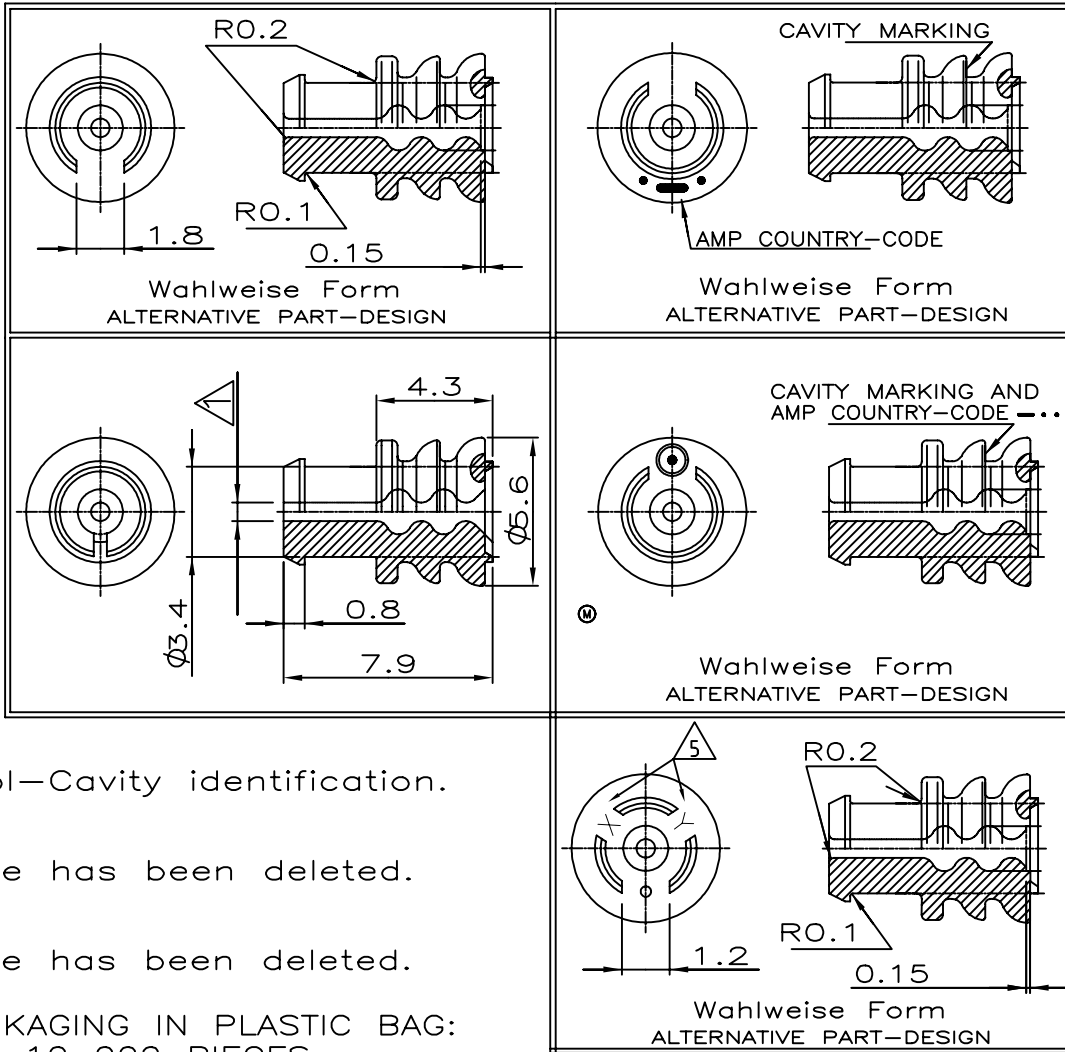
106462

NUMMER	828904
VERWENDET FÜR	
WAR NR.	87-9398-50

ÄNDERUNGEN, DIE DEM
TECHNISCHEN FORT-
SCHRITT DIENEN, BE-
HALTEN WIR UNS VOR

REVISIONS				
P	LTR	DESCRIPTION	DATE	APVD
	M5	Alternate CAV.ID format added.	11NOV2025	BV GB

M 1:1



- 5 Tool-Cavity identification.
- 4 Note has been deleted.
- 3 Note has been deleted.
- 2 PACKAGING IN PLASTIC BAG:
QTY 10 000 PIECES
- 1 Für Isolationsø 1.2-2.1 mm

TE Connectivity. All Rights Reserved.

828904-3	4	M	SILICON SHORE A 50 ⁺ lubriziert	hellblau
828904-2	3	M		
828904-1	2	M		

CAD-ORIGINAL
ZEICHNUNG NICHT ÄNDERN

Ⓢ	BESTELL-NR.	REV	WERKSTOFF	OBERFLÄCHE FARBE	ZEICHNUNG GÜLTIG AB			
DIMENSIONS: mm			DWN H.Bouda	16 MAY 88	MATERIAL	FINISH		
TOLERANCES UNLESS OTHERWISE SPECIFIED:			CHK W. PFEFFER	17 MAY 88	TE Connectivity			
			APVD -	-				
0 PLC ± - 1 PLC ± 0.3 2 PLC ± - 3 PLC ± - 4 PLC ± - ANGLES ± -			PRODUCT SPEC	NAME Einzeldichtung (DIA 5.6)				
			APPLICATION SPEC	SIZE			CAGE CODE	DRAWING NO
			WEIGHT	0,000000	A4	00779	Ⓒ-828904	-
			CUSTOMER DRAWING			SCALE	5:1	SHEET