

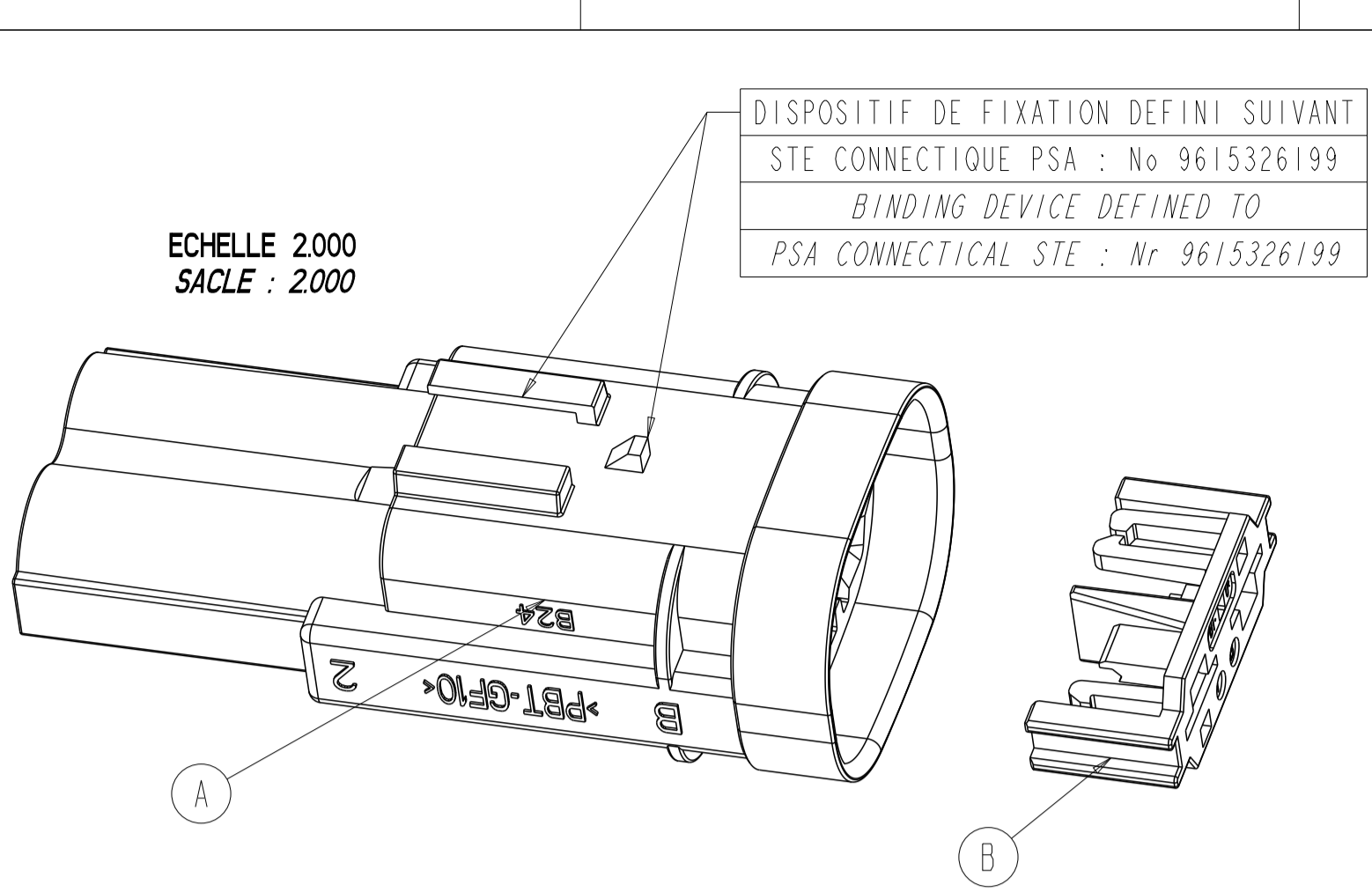
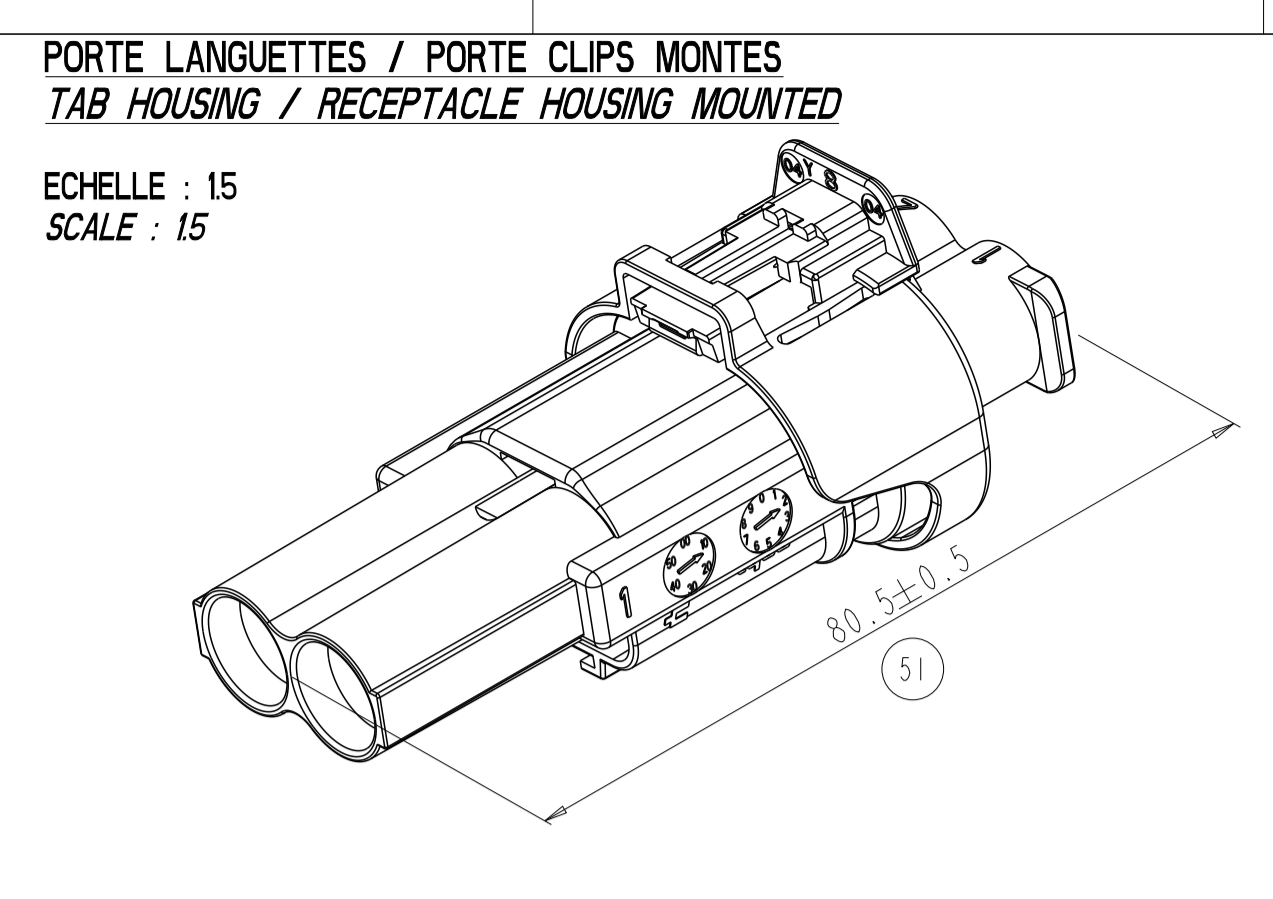
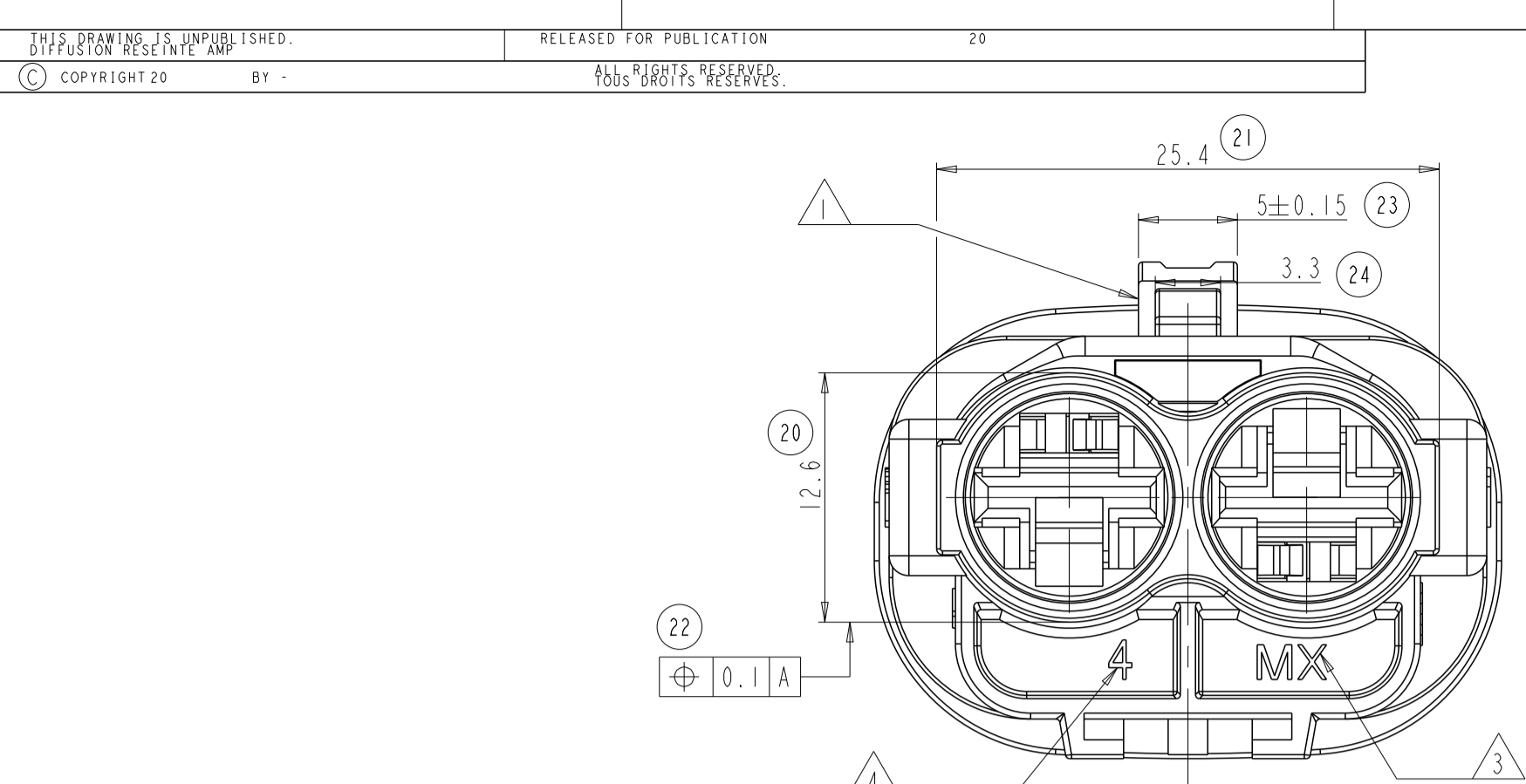
M 1544334-2K



MINIKIT

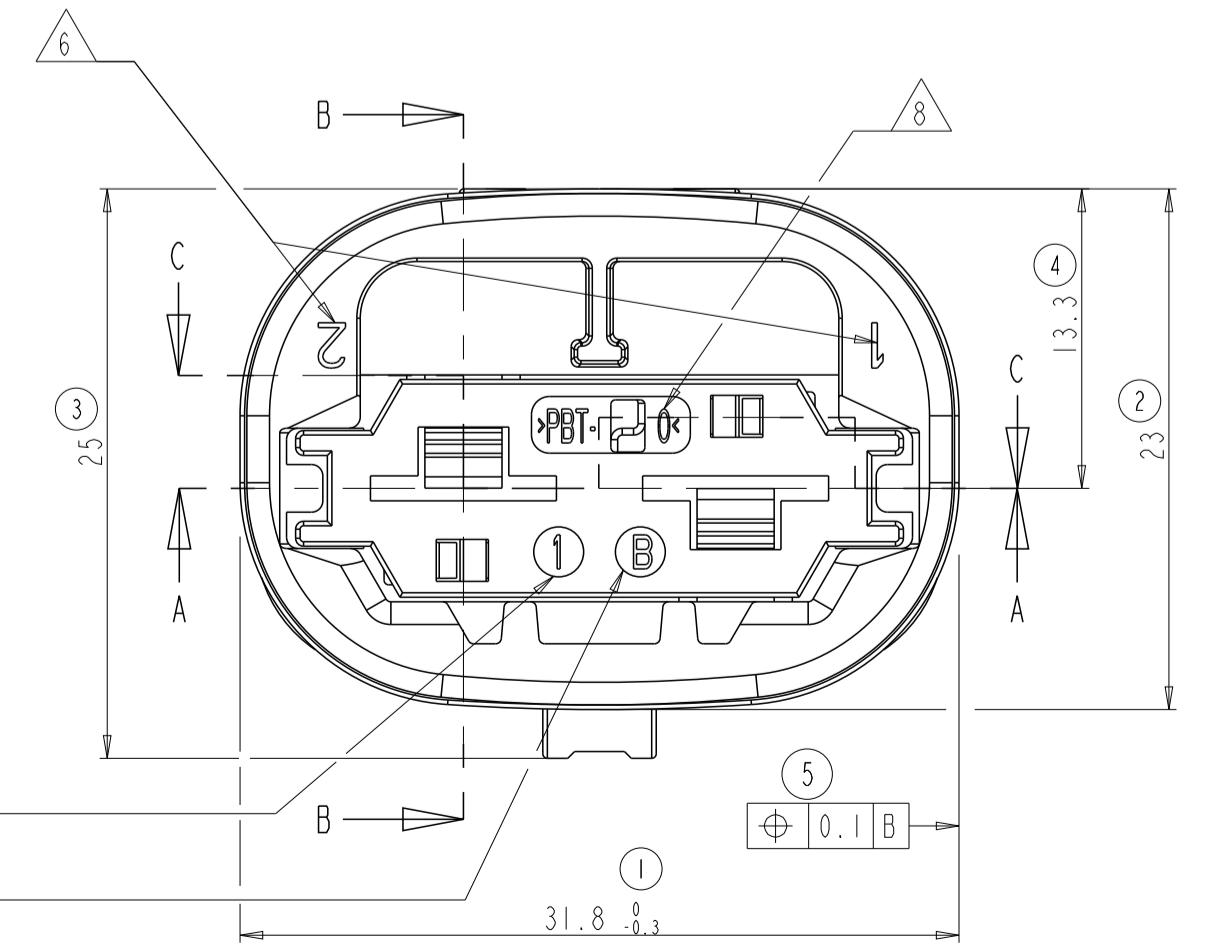
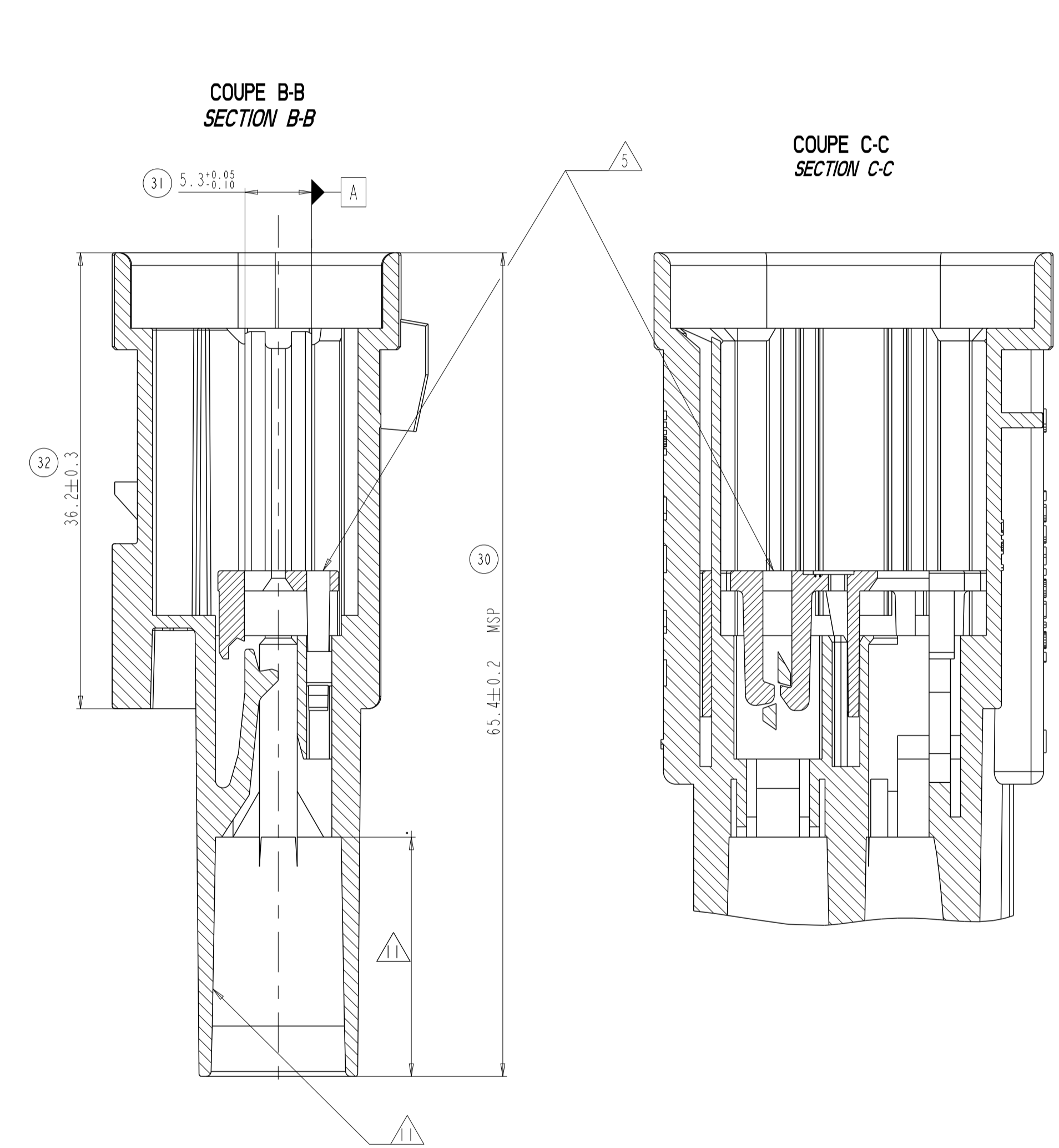
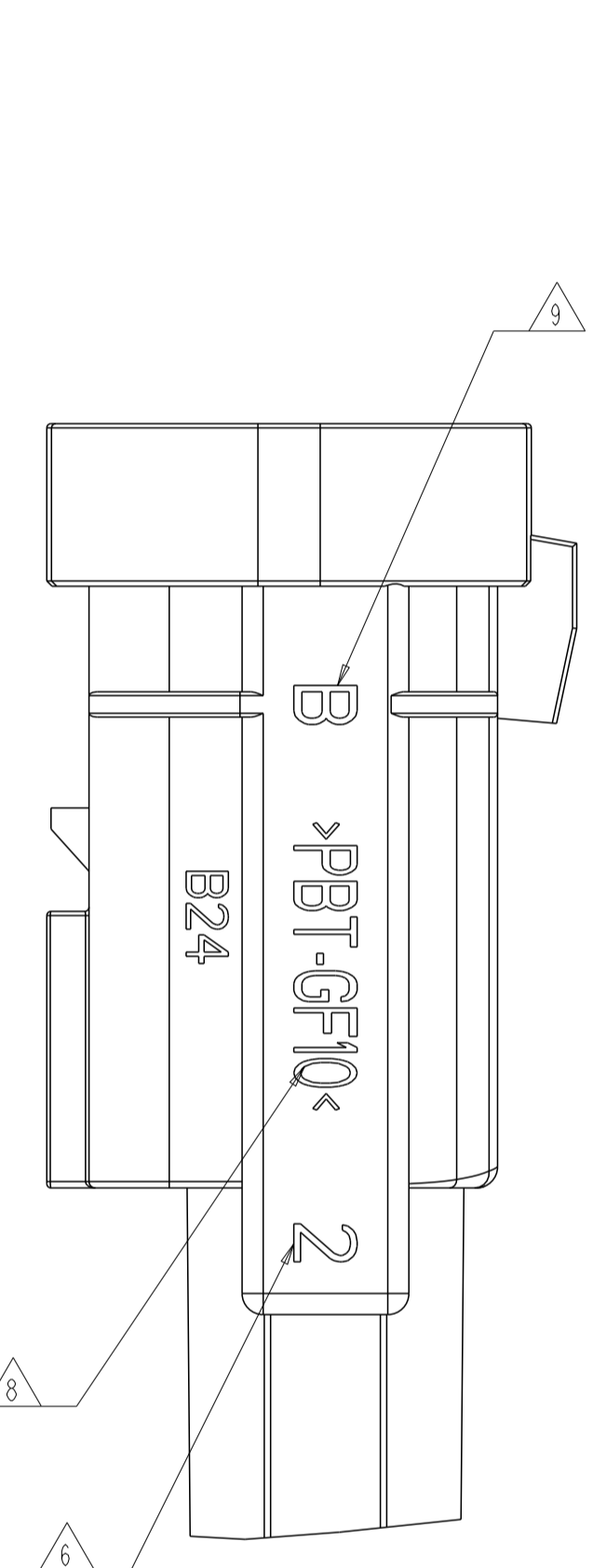
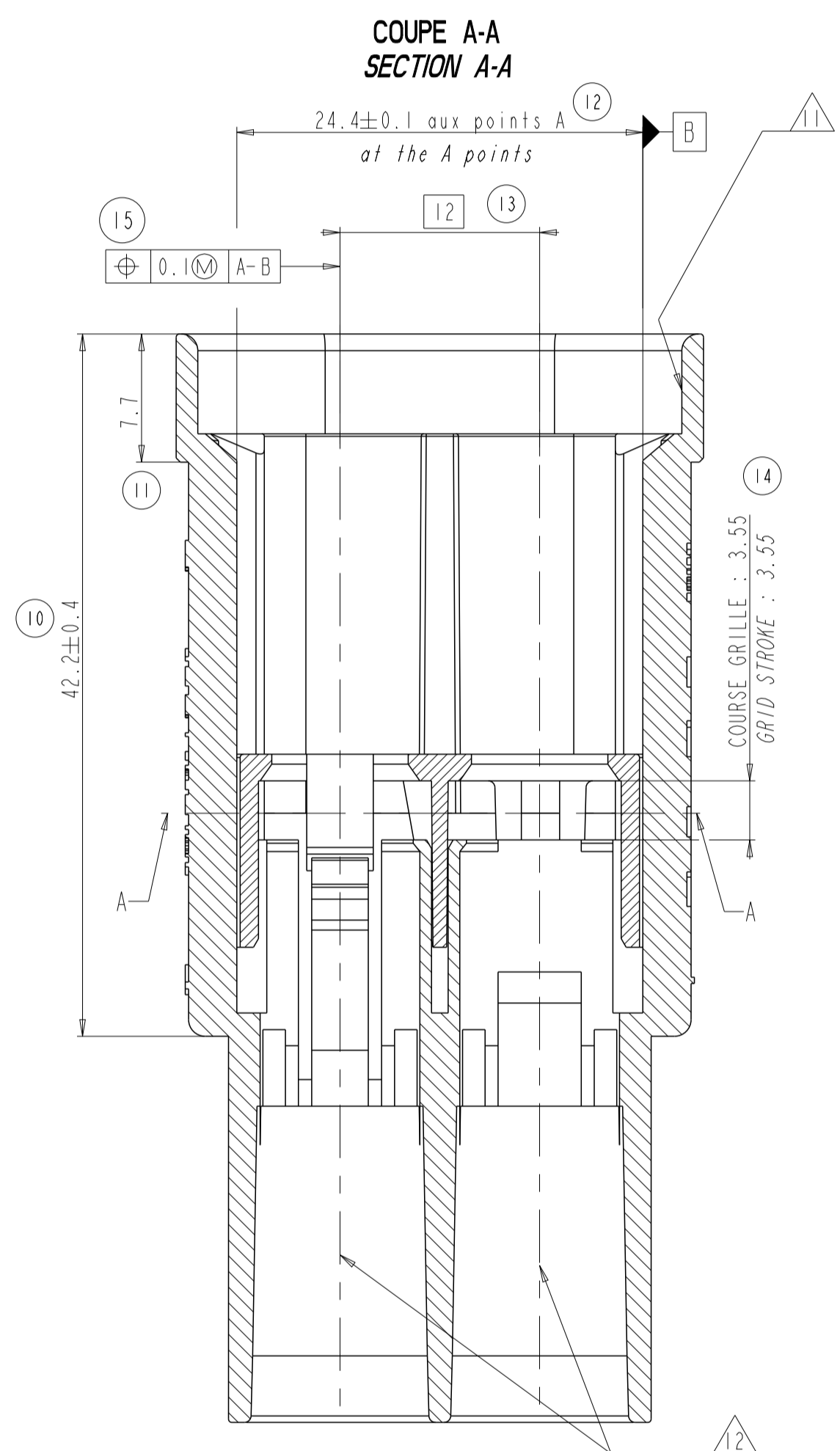
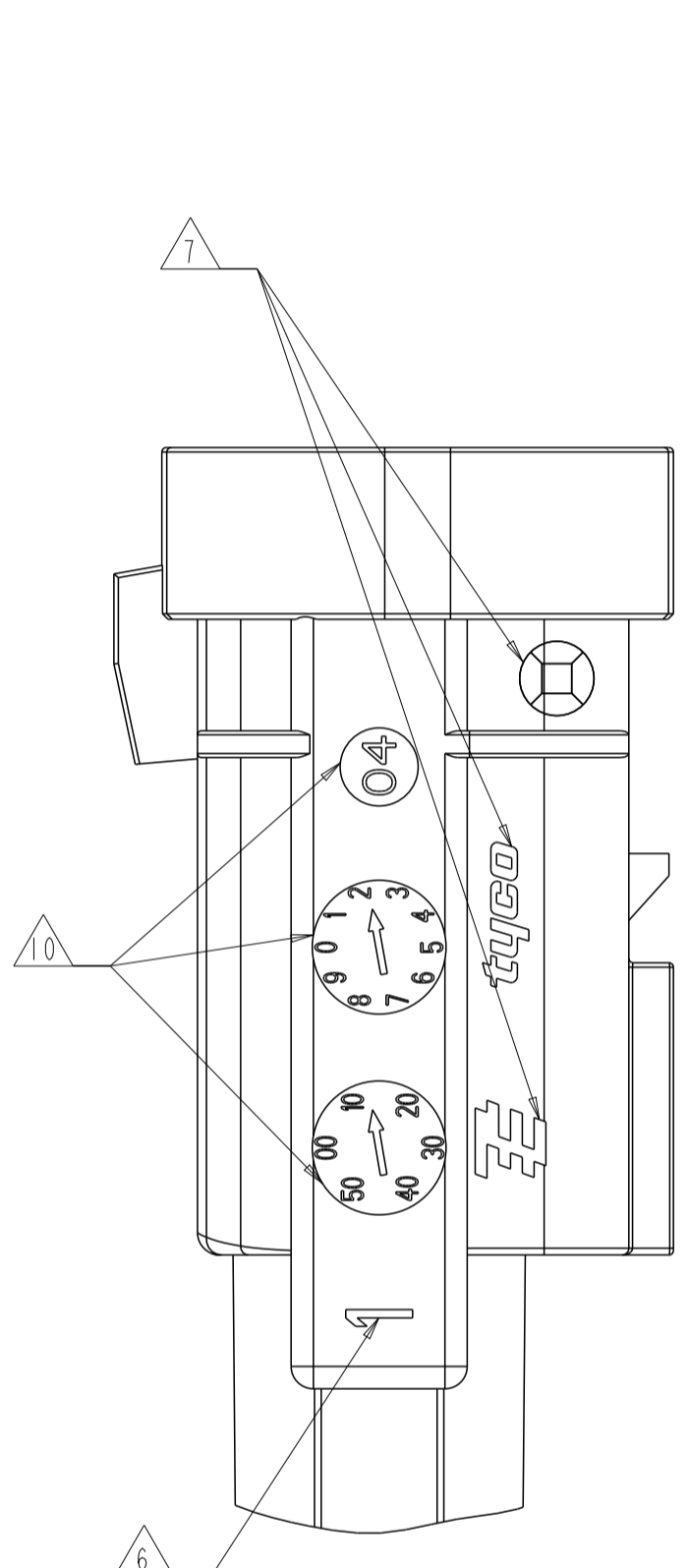
Proseguire nella pagina successiva per visualizzare la scheda tecnica dei componenti

Revisione	Prodotto
REV.00 15/04/2026	OEM



REVISIONS					
P	LTN	DESCRIPTION MODIFICATIONS	DATE	OWN	APPR.
C		FIRST ISSUE - TE DRW BOARD	29JUN2005	PCS	JDr
D		INTER BOX LOCKING DEVICE MODIFICATION	21DEC2006	PCS	JDr
E		REFERENCE PRONER DELETED	29NOV2010	PCS	JDr
F		TOLERANCE UPDATED FR DIM REF 10 AND 32	29MAY2018	DB	XR

ECHELLE 1000
 SCALE : 1000



Rep	Qté	DESIGNATION Description	MATIERE Material	COULEUR Color
B	1	GRILLE DE DETECTION (DV) Detection Grid (DV)	PBT GF-10	JAUNE Yellow
A	1	PORTE-LANGUETTE Tab Housing	PBT GF-10	VOIR TABLEAU See table

REFERENCES TE ET CODAGES COULEURS ASSOCIES
TE PART NUMBERS AND ASSOCIATED CODING COLOR

1544334-1	1544334-2	1544334-3
7±0.1 (40)	3.5±0.05 (41)	3.5±0.05 (42)
NOIR / BLACK	BLEU / BLUE	GRIS / GREY

NOTE / NOTA

N° / Nr	DESIGNATION	DESCRIPTION
1	DISPOSITIF D'ACCROCHAGE	INTER-BOX LOCKING DEVICE
2	DEPOUILLES GENERALES COMPRISES DANS LES TOLERANCES	GENERALE SLOPS IN TOLERANCES
3	REPÈRE No MOULE 3 ET +	MOLD No 3 AND +, MARKING
4	REPÈRE No EMPREINTE MOULE	MOLD CAVITY No MARKING
5	GRILLE DE DETECTION LIVREE PRE-MONTEE	DETECTION GRID PRE-MOUNTED DELIVERED
6	REPÈRES ALVEOLES	CAVITIES MARKING
7	LOGO FOURNISSEUR EN RELIEF DE 0.2mm - PRONER SUR MOULE No 1 - TE SUR MOULE No 2 - TE SUR MOULE No 3 ET + SUIVANT I.A. SPEC I-15995-1	SUPPLIER LOGO RAISED, HEIGHT 0.2mm - PRONER ON MOLD No 1 - TE ON MOLD No 2 - TE ON MOLD No 3 AND + ACCORDING SPEC I-15995-1
8	MARQUAGE MATIERE	MATERIAL DESIGNATION MARKING
9	INDICE MAJEUR DE MODIFICATION EN RELIEF DE 0.2mm	MAJOR MODIFICATION CODE RAISED, HEIGHT 0.2mm
10	3 DATEURS : SEMAINES/ANNEES EN RELIEF DE 0.2mm	3 DATE CODE : WEEK/YEAR, RAISED, HEIGHT 0.2mm
11	ZONE D'ETANCHEITE POLIE : SANS BAVURE, MARQUE OU MANQUE MATIERE	POLISHED SEAL LOCATION WITHOUT FLASH OR PLASTIC DEFORMATION
12	ALVEOLES PLAN TE N° : 1544995 PLAN PSA STE N° : 9641756399	TE CAVITIES DRAWING N° : 1544995 PSA CAVITIES STE N° : 9641756399
13	CDC CONNECTIQUE PSA : No 9629966099	PSA SPECIFICATION : No 9629966099
14	PLAN D'INTERFACE TE No 1544681 PSA STE No 9638276999	INTERFACE DRAWING TE No 1544681 PSA STE No 9638276999
15	CAHIER DE PRECONISATIONS : TE No 411-15697 PSA STE No 9641781799	INSTRUCTION SHEET : TE No 411-15697 PSA STE No 9641781799

CARACTERISTIQUES MECANQUES PRINCIPALES
MAINES MECHANICAL SPECIFICATIONS

VALEURS RESULTS	
EFFORT D'INSERTION LANGUETTE / ALVEOLE (AVEC JOINT) : F < 35N TAB / CAVITY MATING FORCE (WITH SEAL) : F < 35N	27 N MAXI 27 N MAXI
EFFORT DE FERMETURE DU DV : 20N<F<40N SECONDARY-LOCK CLOSING FORCE : 20N<F<40N	39 N MAXI 39 N MAXI
EFFORT D'ACCROUPEMENT PC/PL : F < 80N REC HOUSING / TAB HOUSING CONNECTION FORCE : F < 80N	73 N MAXI 73 N MAXI

REFERENCES TE POUR CABLEURS
TE PART NUMBERS FOR WIRING MANUFACTURER

COMPOSANTS COMPONENTS	REFERENCES PART NUMBERS	MATIERE MATERIAL	COULEUR COLOR
Langulette / Tab 8mm NGI Section 3 à 6 mm ² Wire section 3 to 6 mm ²	1544332-1	Laiton pré-étamé Pre-finned brass	/
Langulette / Tab 8mm NGI Section 7 à 10 mm ² Wire section 7 to 10 mm ²	1544333-1	Laiton pré-étamé Pre-finned brass	/
Joint unifié à sertir Single wire seal Section 3 à 6 mm ² Wire section 3 to 6 mm ²	1544316-1	Silicone 50sh A autolubrifié Silicone 50sh A self-lubricated	VERT Green
Joint unifié à sertir Single wire seal Section 7 à 10 mm ² Wire section 7 to 10 mm ²	1544316-2	Silicone 50sh A autolubrifié Silicone 50sh A self-lubricated	ORANGE Orange
Bouchon Bundle	1544316-3	Silicone 50sh A non-lubrifié Silicone 50sh A no-lubricated	BLANC White

THIS DRAWING IS A CONTROLLED DOCUMENT.
 CE PLAN EST UN DOCUMENT CONTROLÉ PAR AND INCORPORATED.
 ALL EDITIONS OF THIS DRAWING, INCLUDING REVISIONS, REMAIN THE PROPERTY OF AND AND MUST BE KEPT IN A SECURE PLACE TO PREVENT UNAUTHORIZED REPRODUCTION.

DIMENSIONS: mm

TOLERANCES UNLESS OTHERWISE SPECIFIED (SUIVI NB DE DECIMALES):
 0 P/LC/DEC: ±0.2
 1 P/LC/DEC: ±0.2
 2 P/LC/DEC: ±0.2
 3 P/LC/DEC: ±0.2
 4 P/LC/DEC: ±0.2

FINISH: -

MATERIAL: SEE TABLE

DMN/BESSINE 29JUN2005
 P. CHABLES 29JUN2005
 L. CORONELLI 29JUN2005

APPR/PROUVE DATED 29JUN2005

OTHERWISE SPECIFIED

PRODUCT SPEC: PRODUCT 108-15346
 SPEC: APPLICATION 411-15697

WEIGHT: 411-15697
 MASSE APPROX. 14 gr

TE Connectivity

ORTE-LANGUETTES 2V 8mm NGI ETANCHE
 2 WAY SEALED 8mm NGI TAB HOUSING

SIZE: A1
 CAGE CODE: 00779
 DRAWING NO: 1544334

RESTRICTED TO

CUSTOMER DRAWING / PLAN CLIENT FOUR REFERENCE / SCHEMATA CLIENTE

SCALE: 3.00

SHEET 1 OF 1

REV F

THIS DRAWING IS UNPUBLISHED.
 DIFFUSION RESTREINTE AMP
 © COPYRIGHT 2008 BY TYCO ELECTRONICS CORPORATION. ALL RIGHTS RESERVED.
 TOUS DROITS RESERVES

RELEASED FOR PUBLICATION
 LIBRE A LA DIFFUSION
 2008

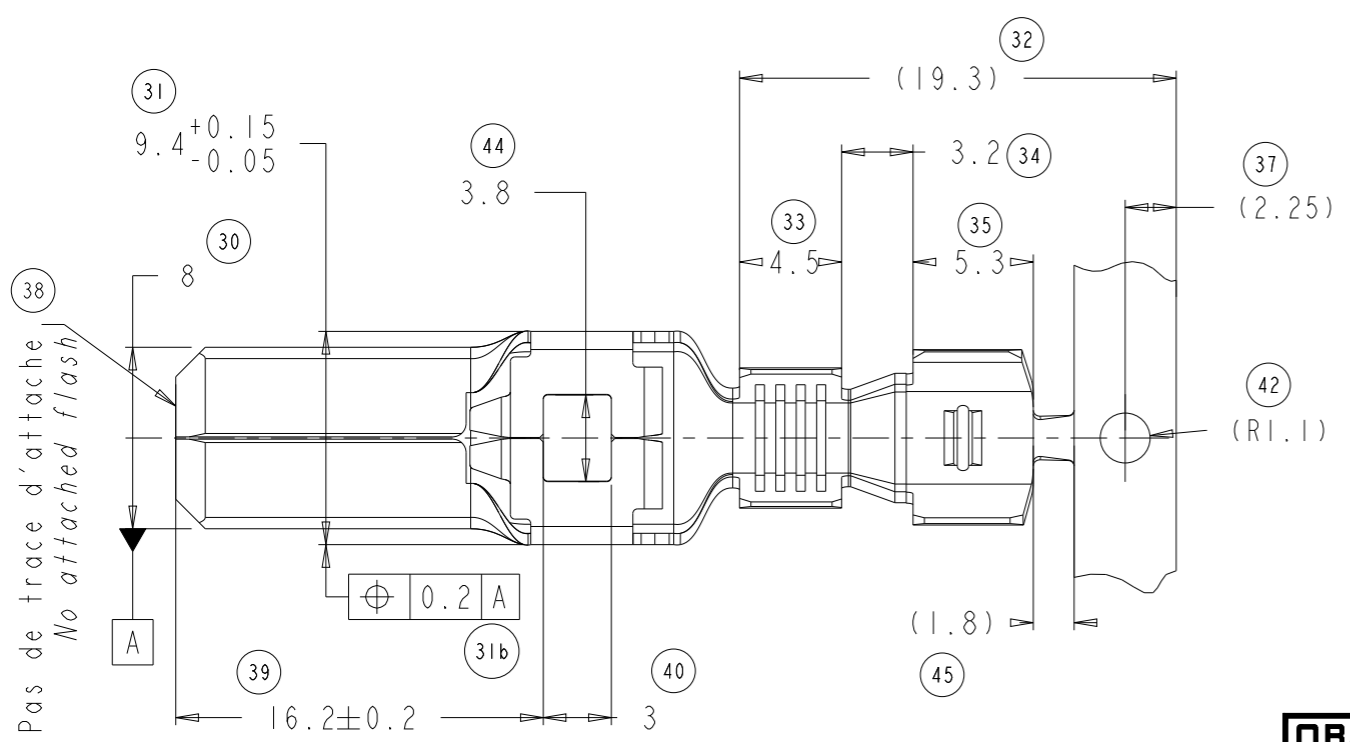
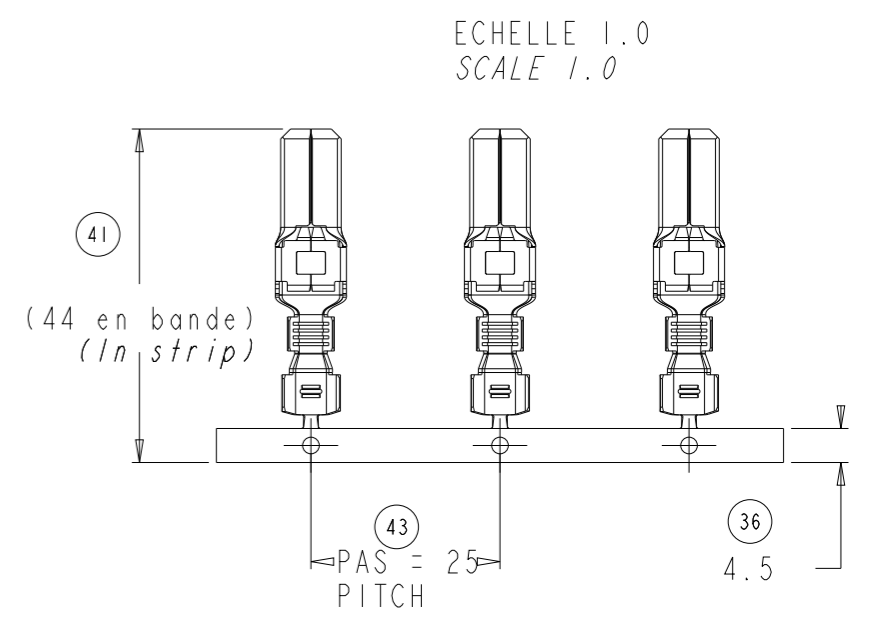
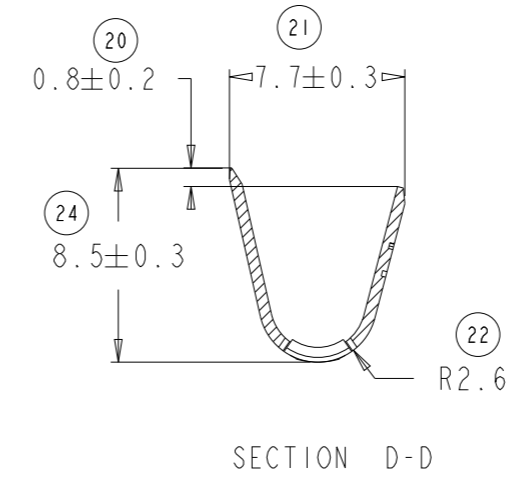
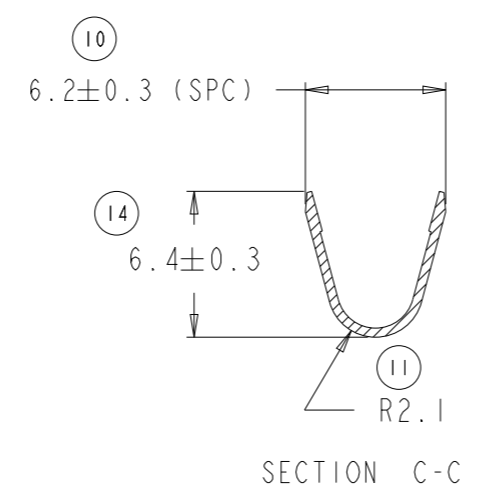
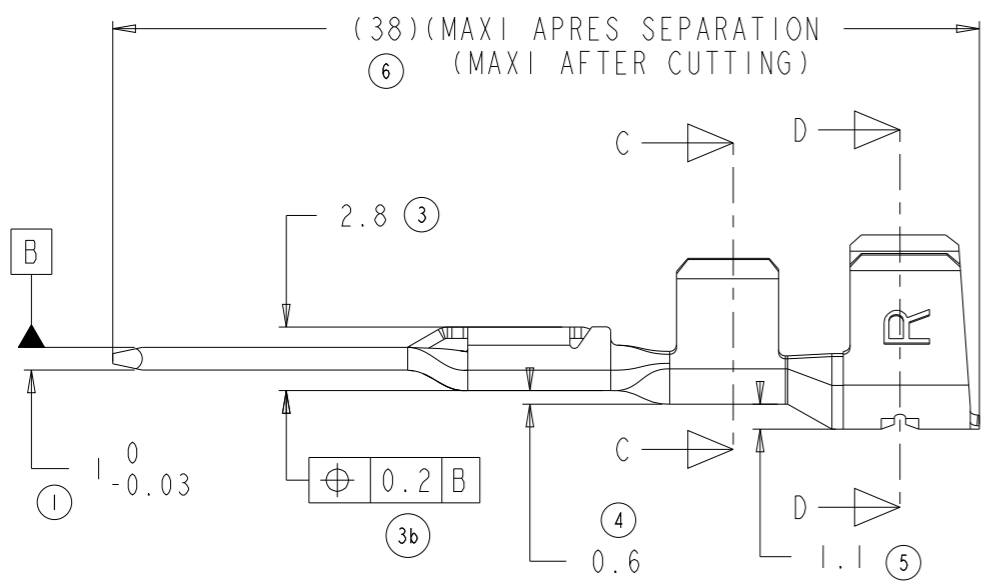
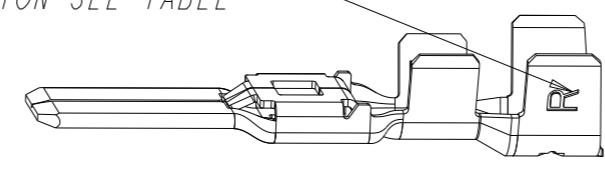
LOC F
 DIST 00

REVISIONS

P	LTR REV	DESCRIPTION MODIFICATIONS	DATE	DWN DESS.	APVD APP.
C		PACKAGING MODIFICATION, SET UP TRANSITION	31MAR2008	PF s	JDr
-		BETWEEN TAB AND CAGE, TYCO TITLE BLOCK,			
-		ADD NEW PN, CRIMPING SPEC REPLACED BY No			
D		DRAWING UPDATE	02JAN2026	SB	SK

R = IDENTIFICATION MATIERE VOIR TABLEAU
 MATERIAL IDENTIFICATION SEE TABLE

ECHELLE 2.0
 SCALE 2.0



() = COTE DONNEE A TITRE INDICATIF
 () = DIMENSION ONLY FOR INFORMATION

JOINT UNIFILAIRE ASSOCIE - ASSOCIATE WIRE SEAL		
DESIGNATION DEFINITION	PN TE TE PN	PN CLIENT CUSTOMER PN
JOINT UNIFILAIRE A SERTIR 3 A 6 mm ² DIAMETRE FIL 3.5 A 4.5 mm SINGLE SEAL 3 TO 6 mm ² WIRE DIAMETER FROM 3.5 TO 4.5mm	1544316-1	

PN CLIENT CUSTOMER PN	PN TE TE PN	R : MATIERE R : MATERIAL	MATIERE MATERIAL	PROTECTION FINISH
	1544332-1	SANS WITHOUT	LAITON / BRASS SPEC SM 125	Sn : 0.8 A 1.2µ SPEC 112-16-4
	1544332-2	R	BRONZE / BRONZE SPEC 100-221	Sn : 1 A 2µ SPEC 112-20-4

OBSOLETE

CONDITIONNEMENT - PACKAGING

- CONDITIONNEMENT SELON SPECIFICATIONS: 107-15603
- NOMBRE DE PIECES PAR GALETTE = 1100.
- NOMBRE DE GALLETES PAR CARTON = 2
- PACKAGING ACCORDING TO SPECIFICATIONS No: 107-15603
- NUMBER PARTS BY WHEEL = 1100.
- NUMBER OF WHEELS BY BOX = 2

THIS DRAWING IS A CONTROLLED DOCUMENT FOR TYCO ELECTRONICS CORPORATION IT IS SUBJECT TO CHANGE AND THE CONTROLLING ENGINEERING ORGANIZATION SHOULD BE CONTACTED FOR THE LATEST REVISION. CE PLAN EST UN DOCUMENT CONTROLE PAR AMP INCORPORATED. IL EST SUSCEPTIBLE D'ETRE REVISE. CONTACTER LE SERVICE TECHNIQUE D'AMP DE FRANCE POUR OBTENIR LA DERNIERE REVISION.		DWN /DESSINE P. FLORES 31MAR08
DIMENSIONS: mm		CHK /VERIFIE L. CORONELLI 31MAR08
TOLERANCES UNLESS OTHERWISE SPECIFIED: TOLERANCES NON SPECIFIEES (SUIV NB DE DECIMALES): 1 PLC /DEC: ± 2 PLC /DEC: ±0.1 3 PLC /DEC: ± 4 PLC /DEC: ± ANGLES ±2°		APVD /APPROVE J. DAHER 31MAR08
MATERIAL MATIERE SEE TABLE		PRODUCT SPEC SPEC. PRODUIT 108-15346
FINISH FINITION SEE TABLE		APPLICATION SPEC SPEC. APPLICATION 114-15112
		WEIGHT MASSE APPROX. 0.003kg

Tyco Electronics Tyco Electronics France SAS RN 90, 38530 Chapareillan		NAME TITRE LANGUETTE 8NG1 - GAMME 3 A 6 mm ² 8NG1 TAB - RANGE 3 TO 6mm ²
SIZE FORMAT A3	CAGE CODE 00779	DRAWING NO No PLAN 1544332
CUSTOMER DRAWING /PLAN CLIENT		RESTRICTED TO RESERVE A
UNIQUEMENT POUR REFERENCE		SCALE ECHELLE 3
SHEET FEUILLE 1		OF DE 1
REV D		

4

3

2

1

THIS DRAWING IS UNPUBLISHED. RELEASED FOR PUBLICATION
 © COPYRIGHT copyright.dBTe- ALL RIGHTS RESERVED.

REVISIONS					
P	LTR	DESCRIPTION	DATE	DWN	APVD
D		rep 15 0.8±0.15 WAS 0.8-+0.1	25OCT2018	PB	XR
E		TITLE BLOCK CORRECTED	04MAR2021	FB	XR
F		Drawing update	30JAN2023	NE	XR

LES LEVRES DOIVENT ETRE EXEMPTES DE BAVURE, COUPE OU DEFAUT D ASPECT...
 NO BURR, CRACKS OR DEFAULT PERMITTED ON LIPS...

JOINT UNIFILAIRE / SINGLE WIRE SEAL
 COUPE A-A / SECTION A-A

LES SURFACES INTERIEURES DOIVENT ETRE EXEMPTES DE DEFAUT, BAVURE, COUPURE OU DEFORMATION...
 INSIDE AREAS MUSN'T PRESENT BURR, CRACK, DEFORMATION...

Notes:

-Bavure du point d'injection située dans une zone non fonctionnelle doit être inférieure à 0.4mm de hauteur et 0.3mm d'épaisseur.
 -An injection point burr located in a no fonctional area must be less than 0.4mm high and 0.3mm thick
 -Cotes fonctionnelle A-B-C/Functional dimensions A-B-C

CONDITIONEMENT / PACKAGING

-Sachets hermetiques dans carton suivant norme GALIA
 -Sealed bags in box according to GALIA standard

BOUCHON / CAVITY PLUG
 COUPE A-A / SECTION A-A

Echelle 3.000
 Scale 3.000

DESIGNATION DESCRIPTION	COULEUR COLOR	REF PRONER PN PRONER	A	B	C	REF PSA PN PSA	REF RENAULT PN RENAULT	REF TE PN TE	MASSE WEIGHT
JOINT UNIFILAIRE A SERTIR SINGLE WIRE SEAL SECTION : 3 A (TO) 6 mm ²	VERT/GREEN SIMILAR TO RAL6001	P8010489526	11.8	3	5.3	9637215880	8200 072 611	1544316-1	0.443 g
JOINT UNIFILAIRE A SERTIR SINGLE WIRE SEAL SECTION : 7 A (TO) 10 mm ²	ORANGE/ORANGE SIMILAR TO RAL2003	P8010589526	11.8	4.5	6.8	9637215980	8200 072 613	1544316-2	0.447 g
BOUCHON D'ETANCHEITE SEALING PLUG	BLANC/WHITE SIMILAR TO RAL9010	P8010689526	11.8	1.5	6.8	9637216080	8200 402 054	1544316-3	0.622 g

THIS DRAWING IS A CONTROLLED DOCUMENT.		DWN L. CORONELLI CHK P. CHARLES APVD J. DAHER	07NOV2007	TE Connectivity																															
DIMENSIONS: mm		TOLERANCES UNLESS OTHERWISE SPECIFIED:				NAME																													
		<table border="1"> <tr><td>Ø PLG</td><td>±</td></tr> <tr><td>1 PLG</td><td>±</td></tr> <tr><td>2 PLG</td><td>±0.15</td></tr> <tr><td>3 PLG</td><td>±</td></tr> <tr><td>4 PLG</td><td>±</td></tr> <tr><td>ANGLES</td><td>±2°</td></tr> <tr><td>FINISH</td><td>-</td></tr> </table>		Ø PLG	±	1 PLG	±	2 PLG	±0.15	3 PLG	±	4 PLG	±	ANGLES	±2°	FINISH	-	<table border="1"> <tr><td>PRODUCT SPEC</td><td>108-15346</td></tr> <tr><td>APPLICATION SPEC</td><td>411-15697</td></tr> <tr><td>WEIGHT</td><td>VOIR TABLE</td></tr> </table>		PRODUCT SPEC	108-15346	APPLICATION SPEC	411-15697	WEIGHT	VOIR TABLE	<table border="1"> <tr><td>SIZE</td><td>A2</td></tr> <tr><td>CAGE CODE</td><td>00779</td></tr> <tr><td>DRAWING NO</td><td>C-1544316</td></tr> <tr><td>RESTRICTED TO</td><td>F</td></tr> </table>		SIZE	A2	CAGE CODE	00779	DRAWING NO	C-1544316	RESTRICTED TO	F
Ø PLG	±																																		
1 PLG	±																																		
2 PLG	±0.15																																		
3 PLG	±																																		
4 PLG	±																																		
ANGLES	±2°																																		
FINISH	-																																		
PRODUCT SPEC	108-15346																																		
APPLICATION SPEC	411-15697																																		
WEIGHT	VOIR TABLE																																		
SIZE	A2																																		
CAGE CODE	00779																																		
DRAWING NO	C-1544316																																		
RESTRICTED TO	F																																		
MATERIAL SILICONE		CUSTOMER DRAWING		SCALE 8.000	SHEET 1 OF 1																														

1471-9 (3/13)