

M 1801175-1K



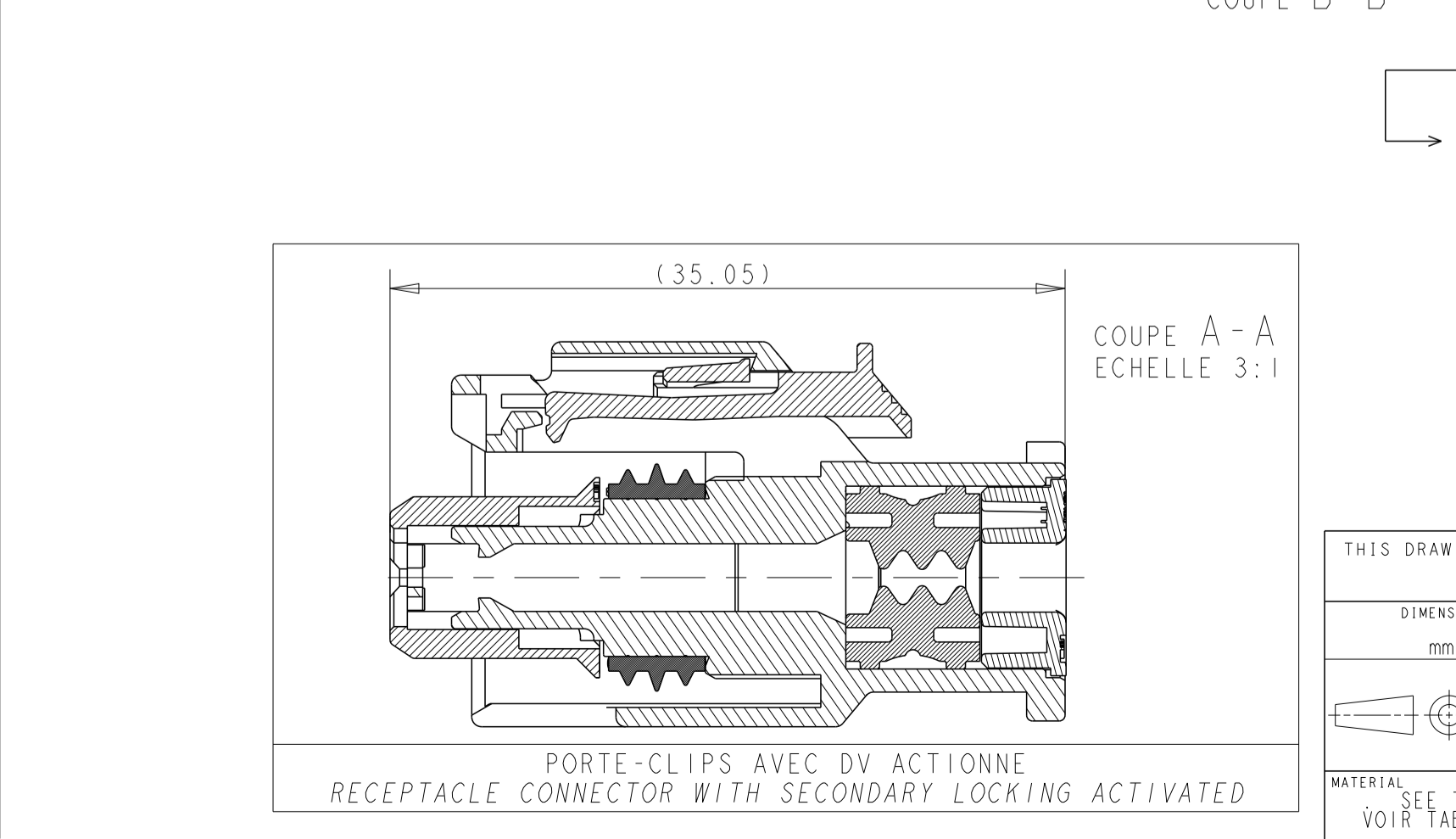
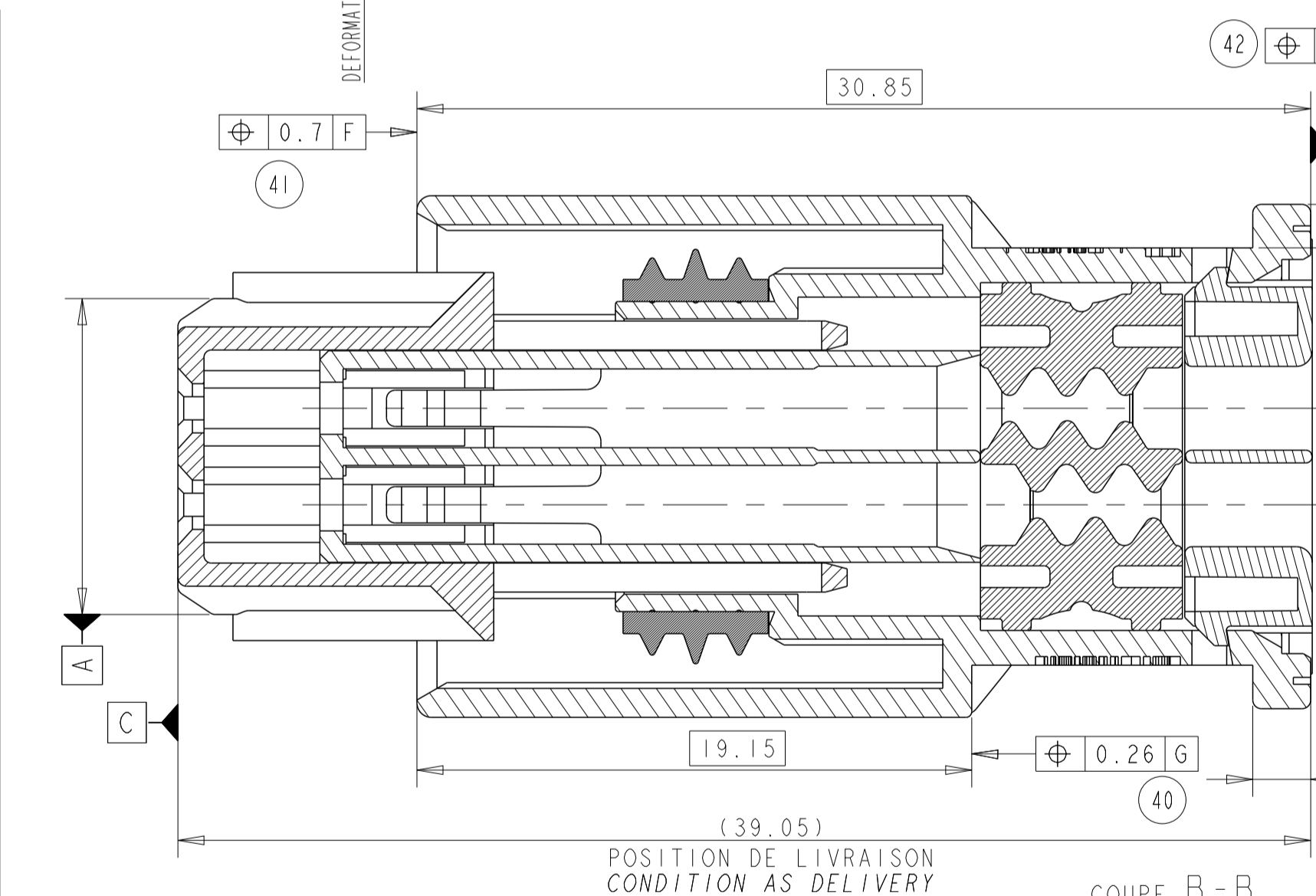
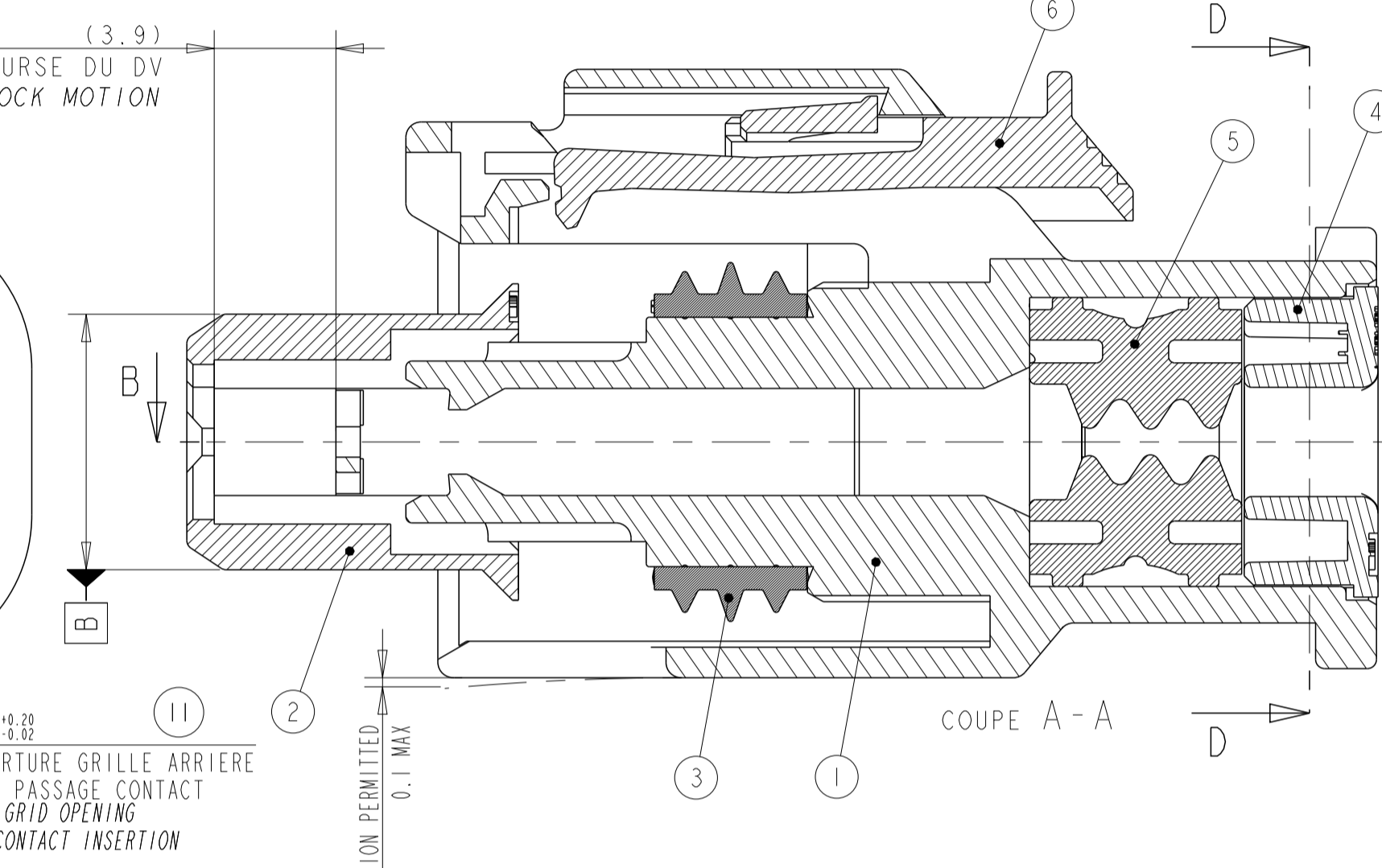
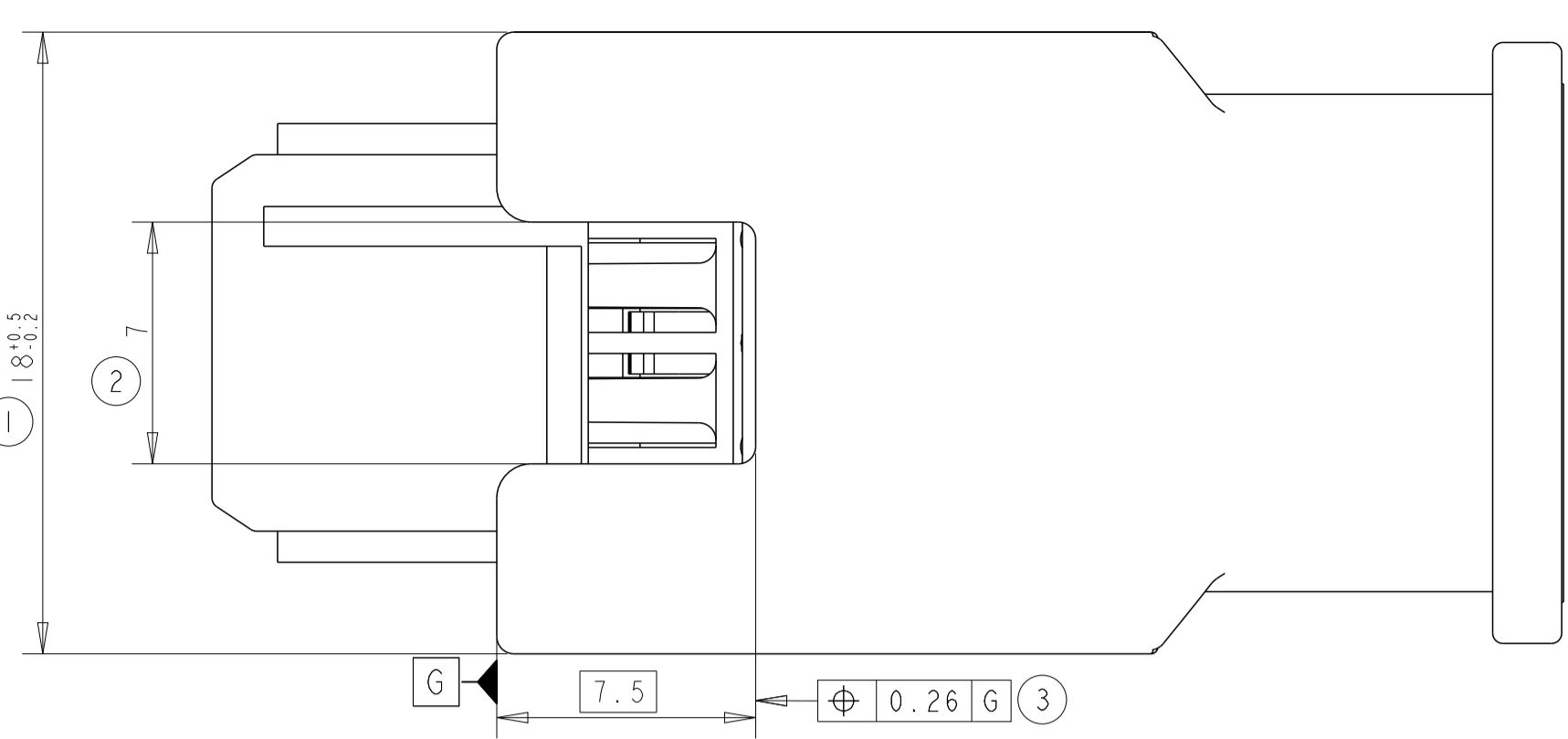
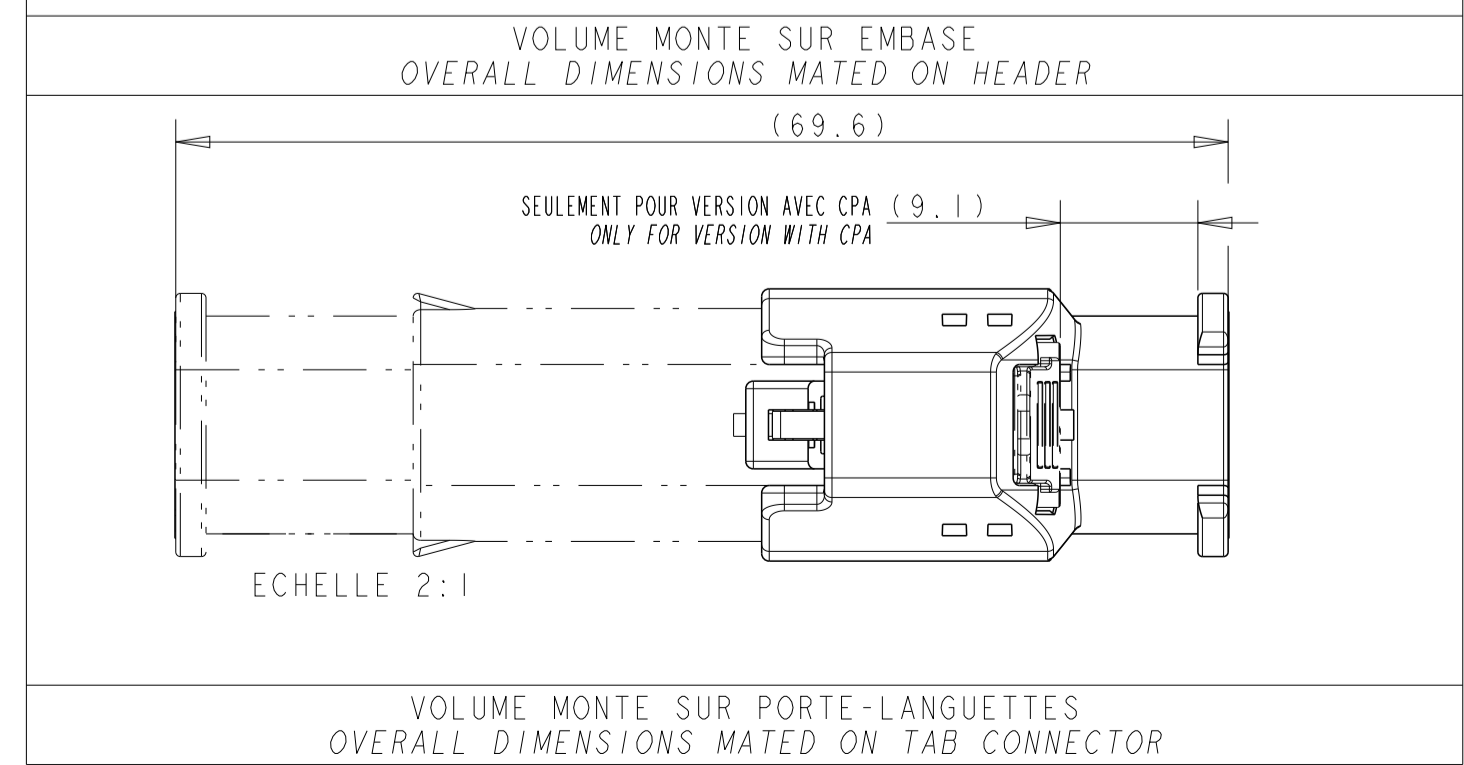
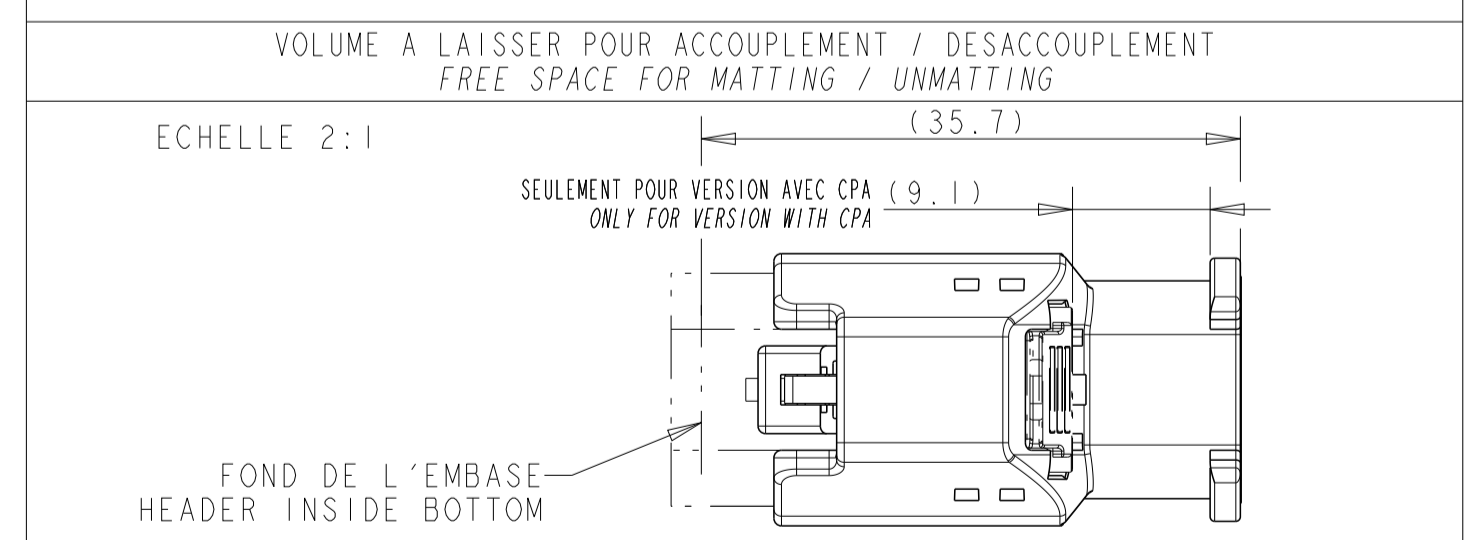
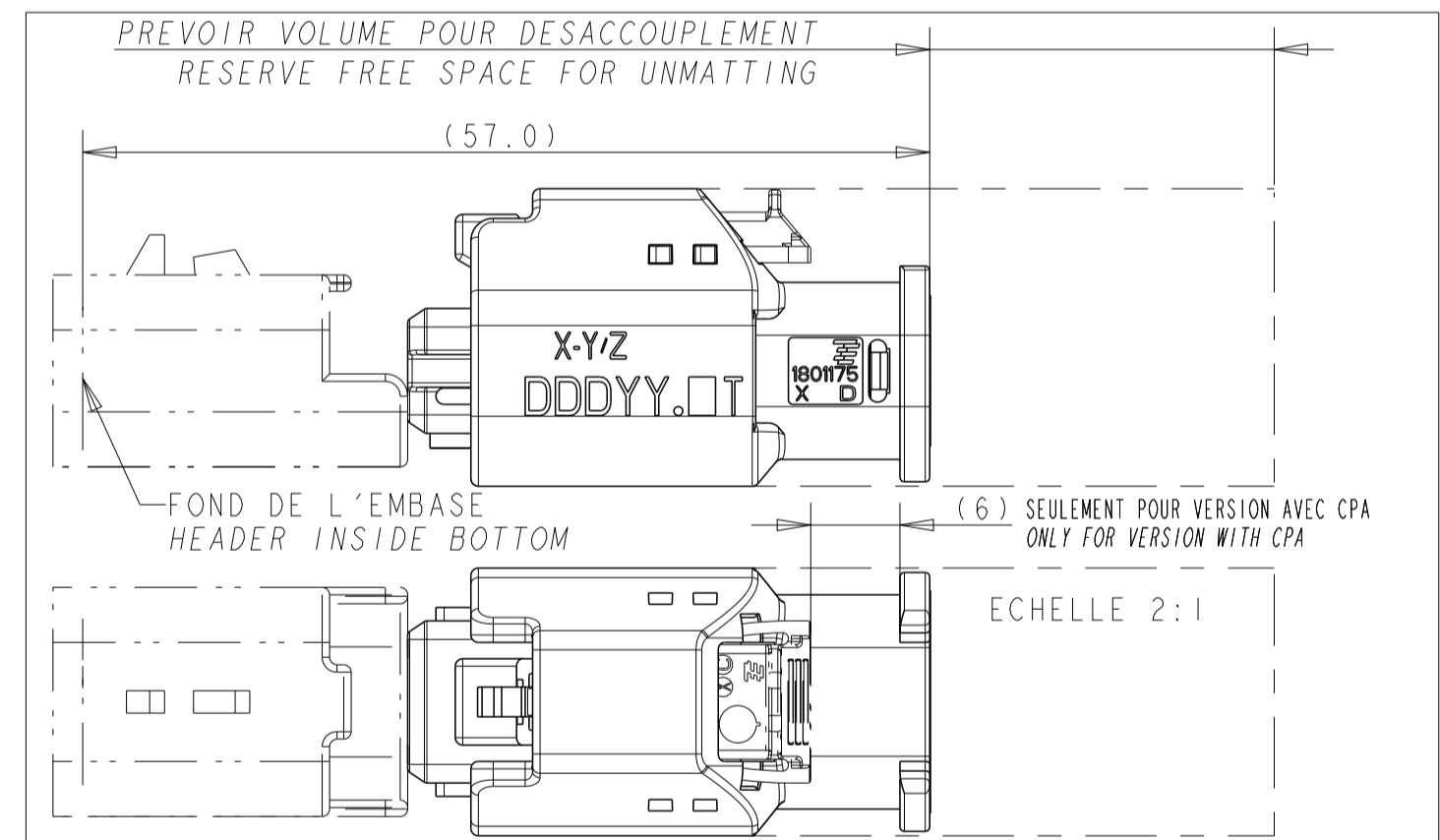
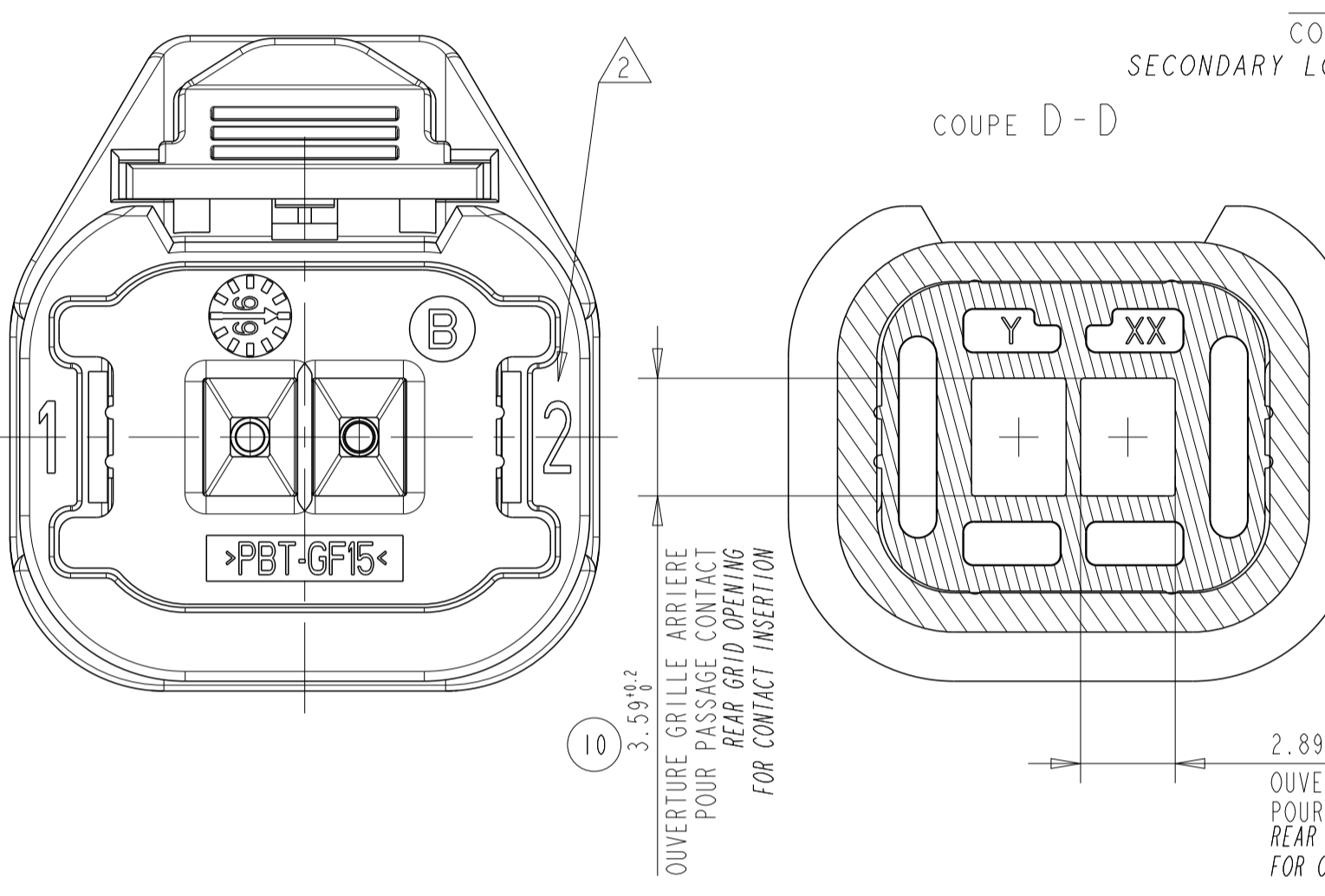
MINIKIT

Proseguire nella pagina successiva per visualizzare la scheda tecnica dei componenti

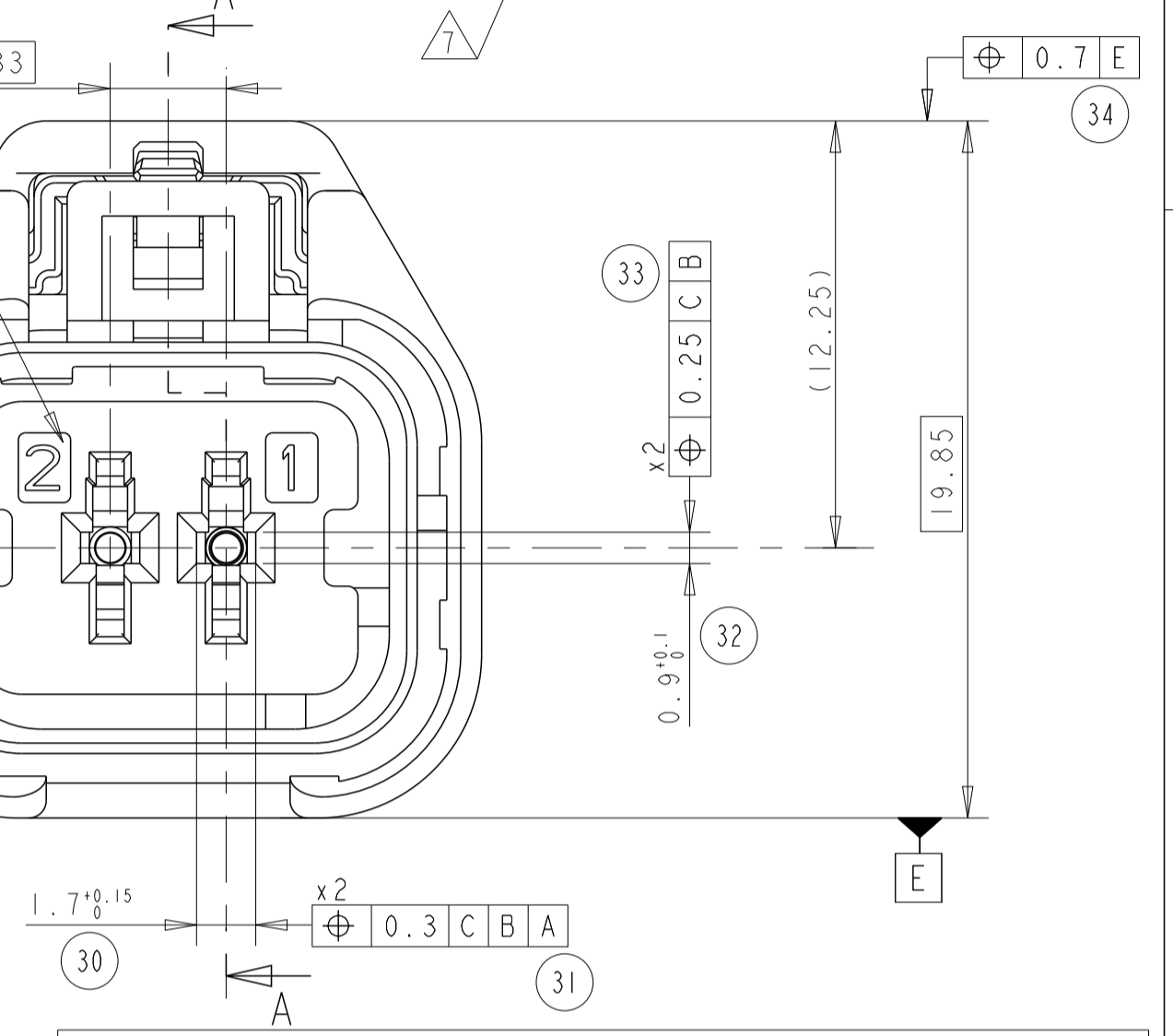
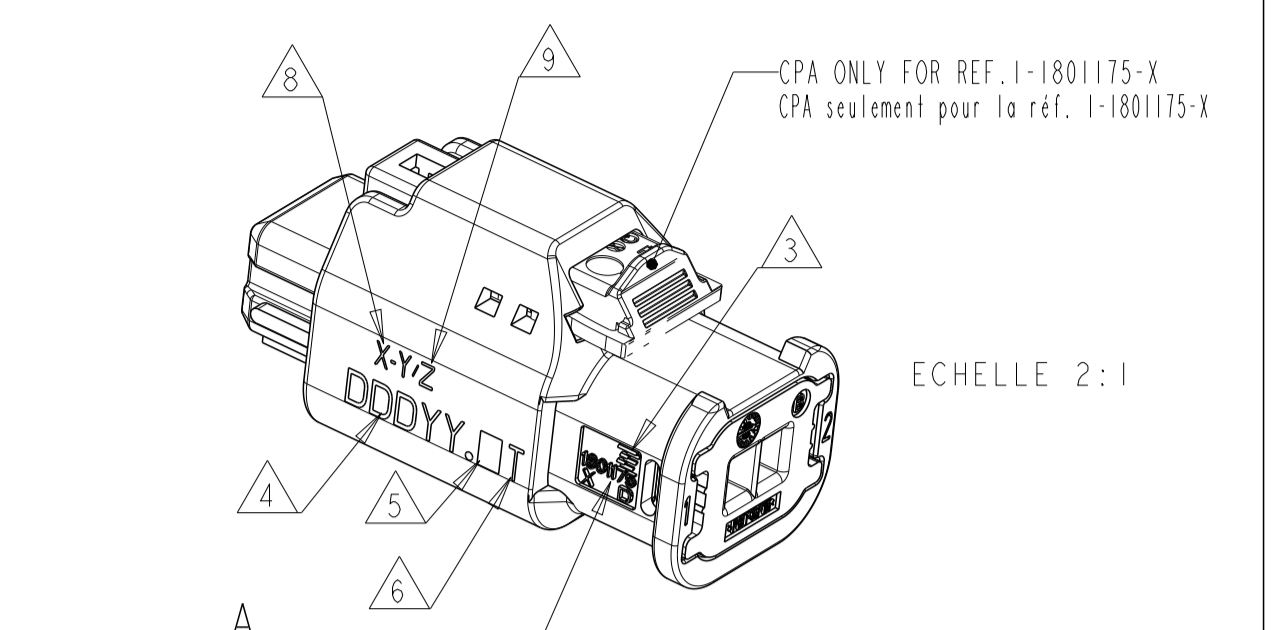
Revisione	Prodotto
REV.00 15/04/2026	OEM

SANS CPA WITHOUT CPA		AVEC CPA WITH CPA		COULEUR COLOR	TOLERANCE POUR DETROMPAGE: ±0.05 KEYING TOLERANCE
REF TE NO.	INDICE DE REVISION PRODUCT REVISION NUMBER	REF TE NO.	INDICE DE REVISION PRODUCT REVISION NUMBER		
1801175-1	E	1-1801175-1	F	NOIR BLACK	
1801175-2	E	1-1801175-2	F	BLEU BLUE	
1801175-3	E	1-1801175-3	F	GRIS GREY	
1801175-4	E	1-1801175-4	F	JAUNE YELLOW	
1801175-5	E	1-1801175-5	F	VERT GREEN	
1801175-6	E	1-1801175-6	F	MARRON BROWN	
1801175-7	E	1-1801175-7	F	BLANC WHITE	
1801175-8	E	1-1801175-8	F	ROUGE RED	
1801175-9	E	1-1801175-9	F	ORANGE ORANGE	

- NOTES/NOTES:
- 1- 1-1801175-1 REPRESENTE (COD. NOIR) / AS SHOWN (COD. BLACK)
 - 2 REPERE ALVEOLES / CAVITY MARKING
 - 3 LOGO TE / TE LOGO
 - 4 DATE D'ASSEMBLAGE / ASSEMBLY DATE
 - 5 CODE DU LIEU D'ASSEMBLAGE / ASSEMBLY LOCATION DATE
 - E = EUROPE / EUROPE
 - C = CHINE / CHINA
 - M = MERCOSUR / MERCOSUR
 - J A = AFRIQUE / AFRICA
 - 6 NUMERO DE LA MACHINE D'ASSEMBLAGE / NUMBER ASSEMBLY LINE
 - 7 REF TE DE L'ASSEMBLAGE (RACINE) / TE ASSEMBLY NO (RACINE)
 - 8 REF TE DE L'ASSEMBLAGE (SUFFIXE) / TE ASSEMBLY NO (SUFFIX)
 - 9 INDICE DE REVISION PRODUIT / PRODUCT REVISION NUMBER
 - 10- PIECES A UTILISER AVEC VOIR TABLEAU "COMPOSANTS ASSOCIES" / MATED WITH : SEE TABLE "ASSOCIATED PARTS"



LOC	DIST	REVISIONS			
F	00	REV	DATE	BY	APPV
H		DRAWING REVISION	07NOV2013	FJ	XR
J		UPDATED NOTE 5 WITH NEW PLANT CODE	25OCT2018	ASB	GKT



SECTION CABLE ADMISSIBLE PAR CONTACT
 ACCEPTABLE CABLE SECTIONS PER CONTACT

La section des câbles utilisés doit être comprise entre 0,35 et 2mm² avec un diamètre d'isolant compris entre 1,40mm mini et 2,80mm Maxi
 The cross-section of the cables used must be between 0,35 and 2mm² (with insulator diameter included between 1,40mm mini and 2,80mm Maxi)

DESCRIPTION TITLE	TE NO REF TE
CAPOT FIXE 2 VOIES - SORTIE GAUCHE/DROITE FIXED COVER 2 WAYS - LEFT/RIGHT EXIT	1801466-1
CAPOT FIXE 2 VOIES - SORTIE HAUT/BAS FIXED COVER 2 WAYS - UP/DOWN EXIT	1801466-2
CAPOT FIXE 2 VOIES - SORTIE AXIALE FIXED COVER 2 WAYS - EXIT IN LINE	1801155-5
CAPOT ROTATIF 90 DEG. 2 VOIES ROTATIVE COVER 90 DEG. 2 WAYS	1801356-1
CLIP 1.5 SENSOR 11 DORE Section 1.4 à 2mm ² RECEPTACLE 1.5 SENSOR 11 GOLD PLATED Section 1.4 to 2mm ²	1670328-1
CLIP 1.5 SENSOR 11 DORE Section 0.75 à 1mm ² RECEPTACLE 1.5 SENSOR 11 GOLD PLATED Section 0.75 to 1mm ²	1670326-1
CLIP 1.5 SENSOR 11 DORE Section 0.35 à 0.5mm ² RECEPTACLE 1.5 SENSOR 11 GOLD PLATED Section 0.35 to 0.5mm ²	1564724-1
OBTURATEUR "MINI-ETANCHE" "MINI-ETANCHE" PLUGGING PIN	
PORTE-LANGUETTES 2 VOIES HP 2 WAYS TAB CONNECTOR HP	1801174-X

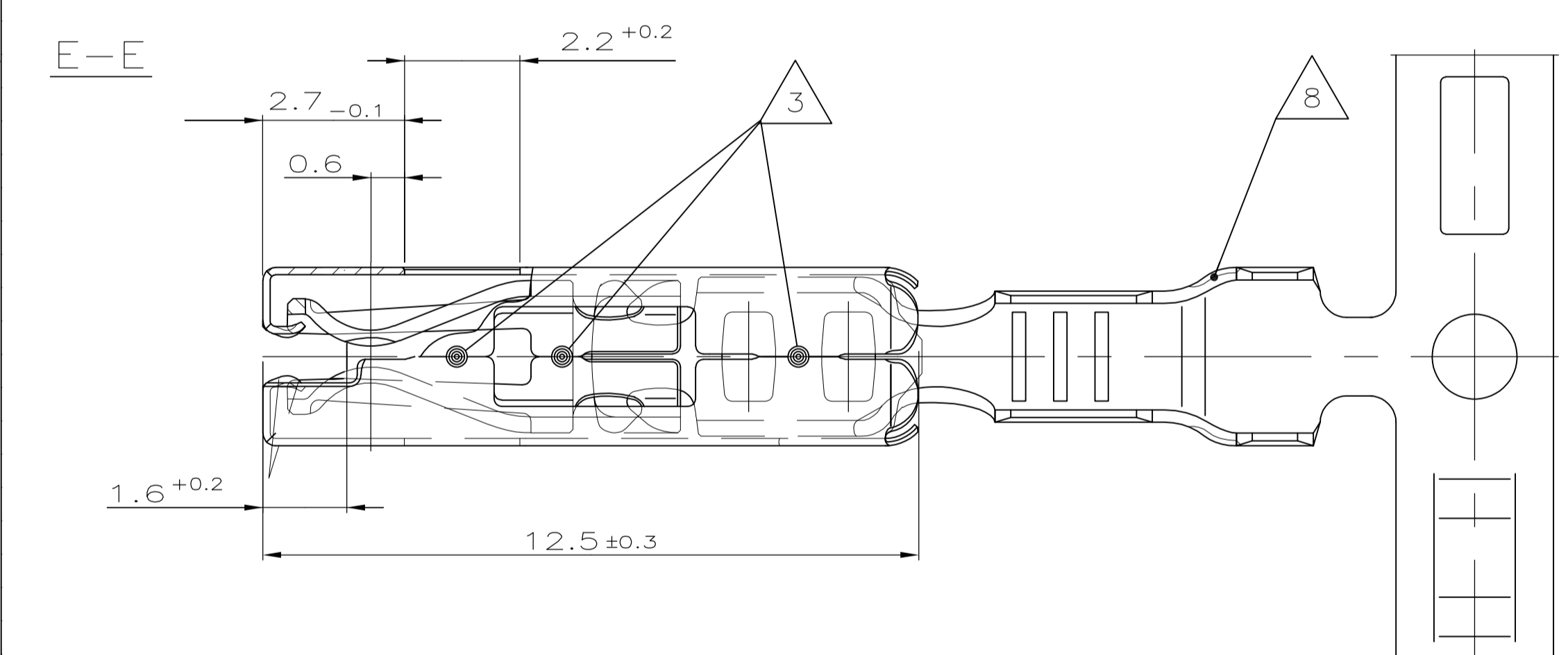
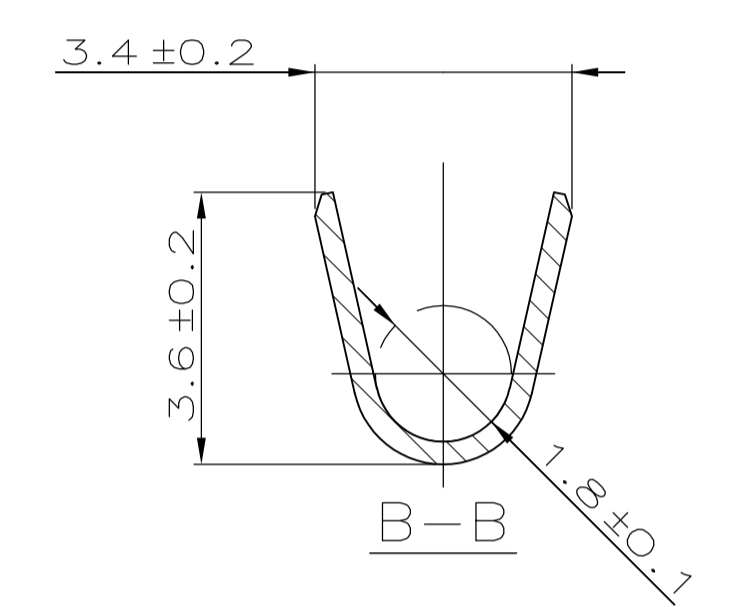
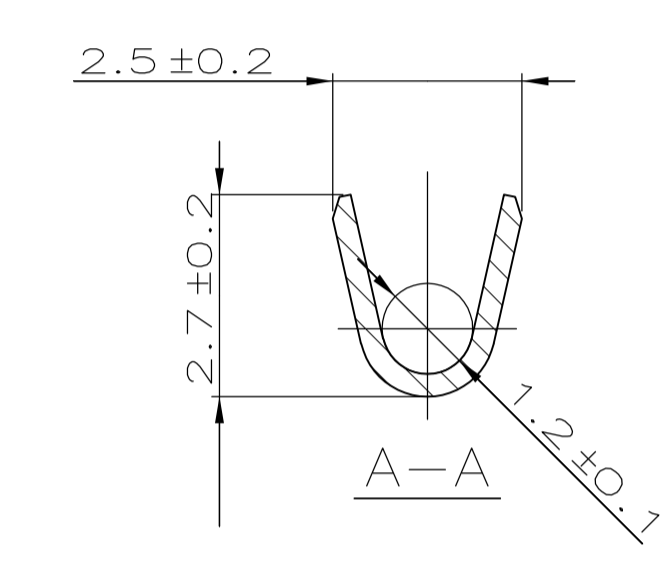
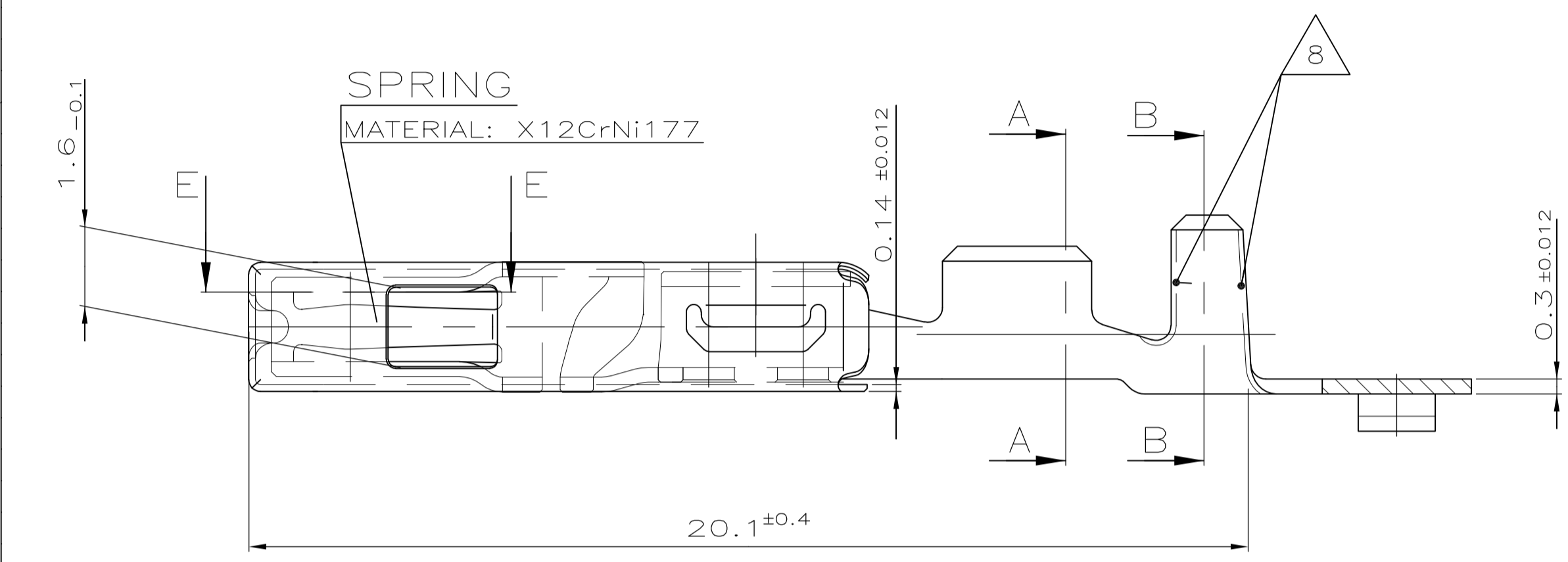
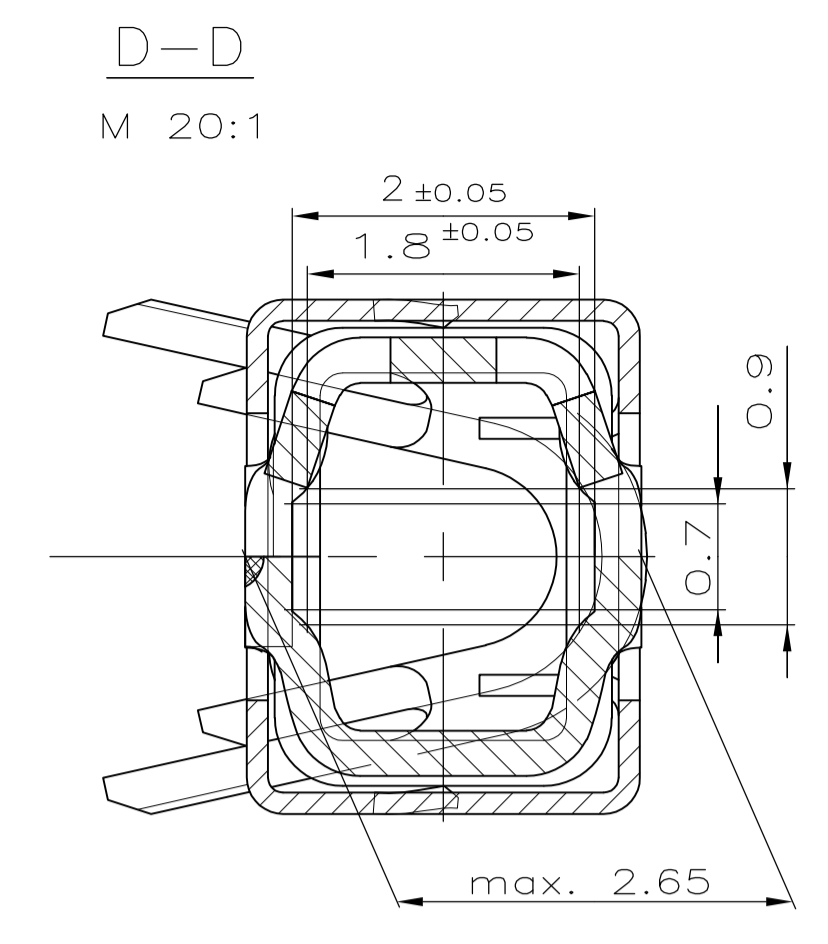
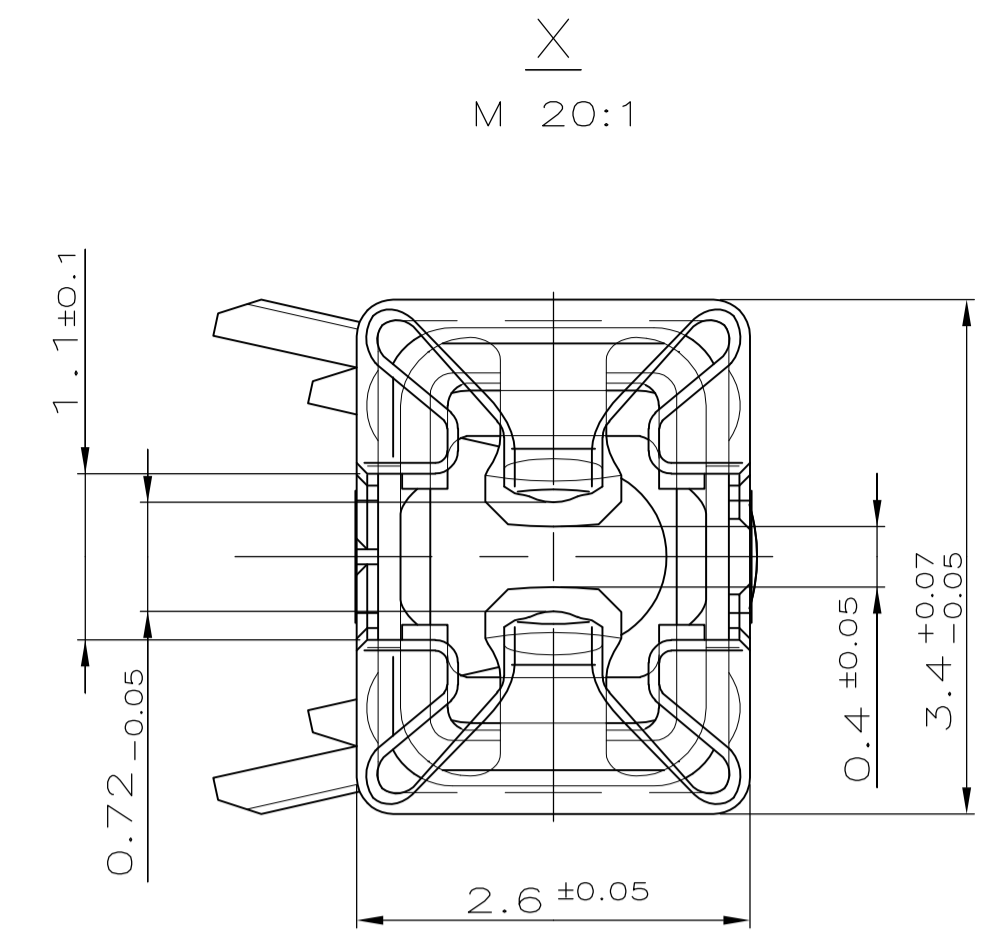
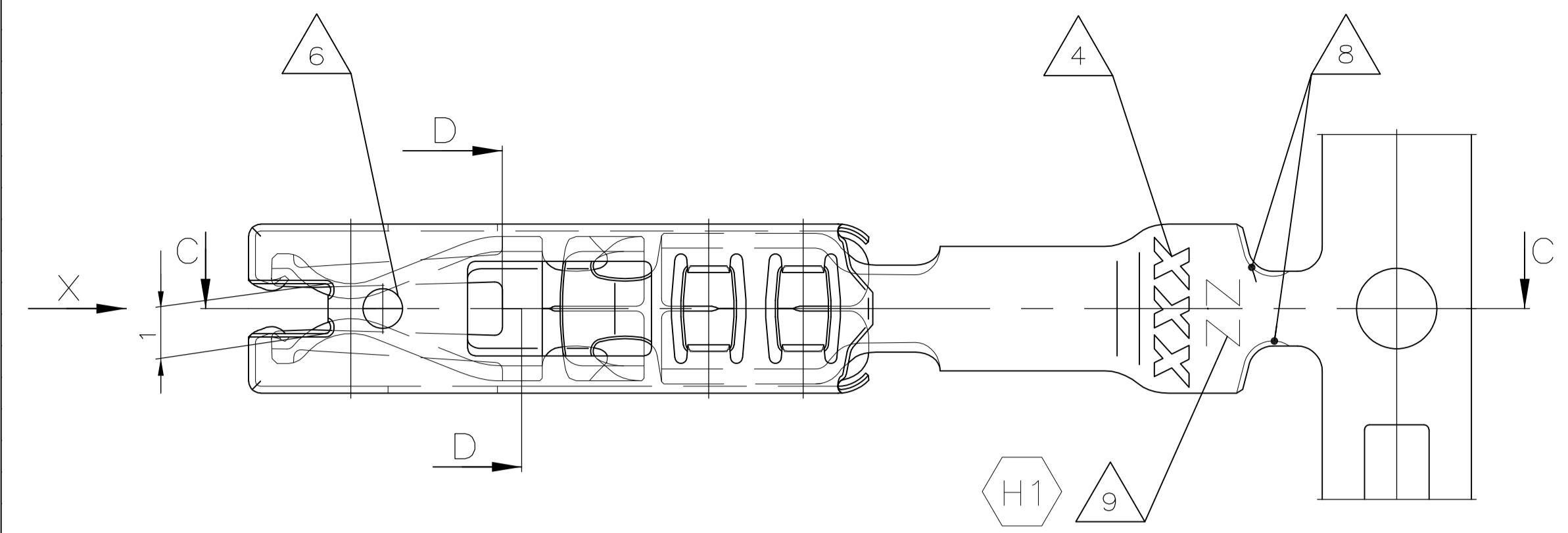
COULEUR COLOR	MATIERE MATERIAL	DESCRIPTION TITLE	REP. ITEM
ORANGE	PBT-GF15 (MATIERE: HB) (HB MATERIAL)	CPA CPA	6
VERT GREEN	SILICONE LUBRIFIE A 5% ; DURETE 30 SHORE A LUBRIFICATED SILICON TO 5% ; HARNESS 30 SH. A	JOINT GROMMET GROMMET SEAL	5
NOIR BLACK	PBT-GF15 (MATIERE: HB) (HB MATERIAL)	GRILLE ARRIERE REAR GRID	4
VERT GREEN	SILICONE LUBRIFIE A 4% ; DURETE 50 SHORE A LUBRIFICATED SILICON TO 4% ; HARNESS 50 SH. A	JOINT INTERFACIAL INTERFACE SEAL	3
VOIR TABLEAU DES REF. SEE TABLE OF PART NO	PBT-GF15 (MATIERE: HB) (HB MATERIAL)	DOUBLE VERROUILLAGE COUAGE (VOIR TABLEAU DES REFS) SECONDARY LOCKING CODING (SEE TABLE OF PART NO)	2
NOIR BLACK	PBT-GF15 (MATIERE: HB) (HB MATERIAL)	BOTTIER PORTE-CLIPS RECEPTACLE HOUSING	1

THIS DRAWING IS A CONTROLLED DOCUMENT. DWN F. JODON 20JUN2007
 CHK X. ROULLIARD 27JUN2007
 APVD X. ROULLIARD 27JUN2007
 PRODUCT SPEC 108-15378
 APPLICATION SPEC 411-15712
 WEIGHT 5,2g / 0,183 oz
 Customer Drawing

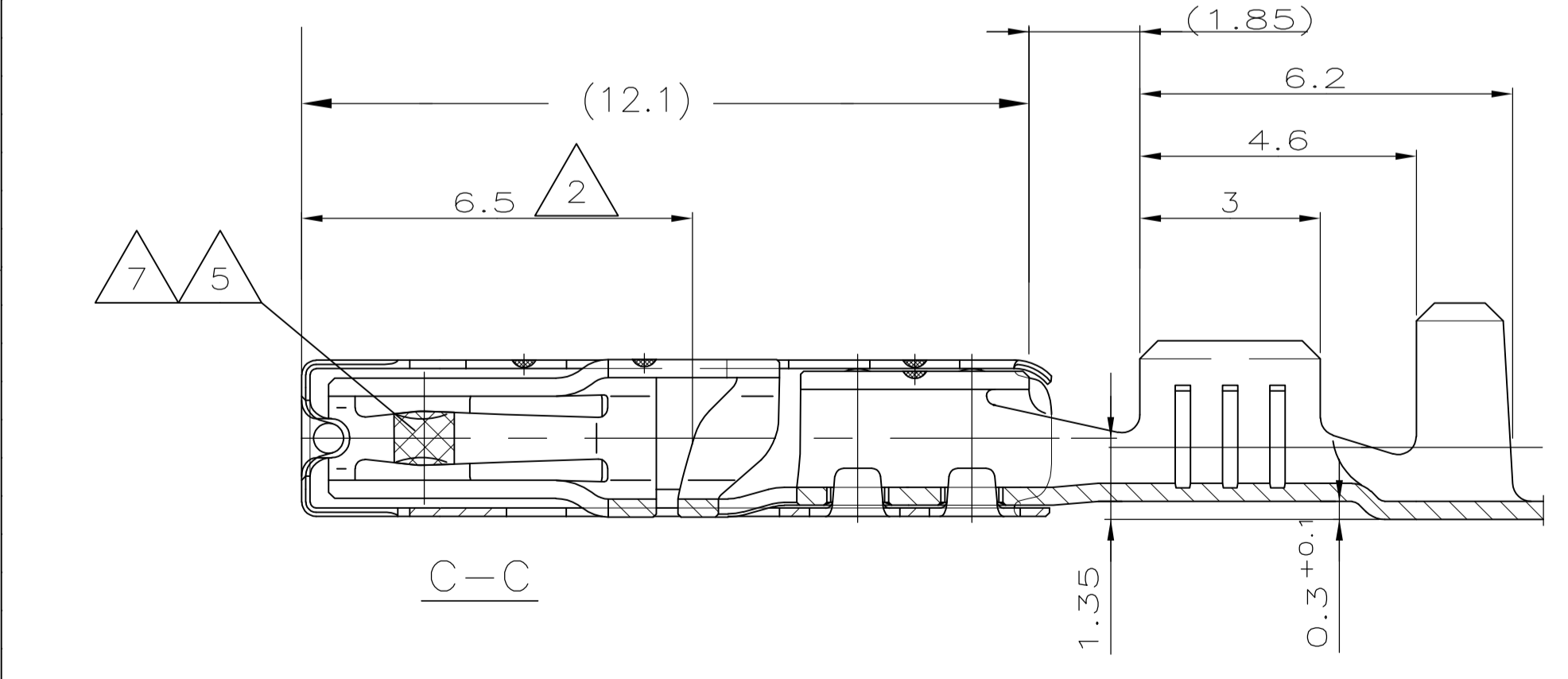
TE Connectivity
 2 WAYS RECEPTACLE CONNECTOR HP
 PORTE-CLIPS 2 Voies HP

SIZE CAGE CODE DRAWING NO RESTRICTED TO
 A100779 ©=1801175
 SCALE 5:1 SHEET 1 OF 1 REV J

PROJECT NR. : A96-52009		REVISIONS			
REV	DATE	DESCRIPTION	DATE	BY	CHK
G3	27AUG02	DRAWING OVERWORKED	27AUG02	MP	MB
G4	29.03.06	NEW SILVER VARIANT ADDED	29.03.06	KF	MP
H	26OCT2016	ECR-16-009856	26OCT2016	VH	JP
H1	15SEP2017	NOTE 9 IS ADDED, SPEC NUMBERS ARE UPDATED	15SEP2017	GH	RM



- | | |
|--|--|
| 1. TO BE USED ON TAB 1.5±0.1x0.8+0.04/-0.03 | 1. Geeignet fuer Flachstecker 1.5±0.1x0.8+0.04/-0.03 |
| 2 MAXIMUM INSERTION DEPTH | 2 Groesste Einstecktiefe |
| 3 LASERWELDED (4x) | 3 Lasergeschweisst (4x) |
| 4 BRANDNAME AND REVISION STATUS | 4 Hertseller-Logo und Revisionsstand |
| 5 1µm TO 1,4µm GOLDPLATE OVER NICKEL IN LOCALIZED AREA; TINPLATED REMAINDER. | 5 1µm bis 1,4µm Goldueberzug ueber Nickel im gekennzeichneten Bereich; Rest galvanisch verzinkt. |
| 6 INDEX AT SPRING FOR GOLDPLATING ONLY | 6 Kennzeichnung an der Ueberfeder fuer Vergoldung |
| 7 3-5µm SILVERPLATING IN LOCALIZED AREA TINPLATED REMAINDER | 7 3-5µm Silberueberzug im gekennzeichneten Bereich Rest galvanisch verzinkt |
| 8 BREAK EDGE IN THIS AREA | 8 Kante in diesem Bereich entschaeft |
| H1 9 INDEX 'Au' FOR GOLD PLATING, 'Ag' FOR SILVERPLATING | 9 Kennezeichnung 'Au' nur fuer Goldueberzug, 'Ag' fuer Silberueberzug |



IDENTIFICATION	TYPE OF PRODUCT	DWG.- NO.
3	SERIE	929027
-	-	-
-	-	-

REV.	CUSTOMER PART NO.	AMP PART NO.	REV.	PCS.	MATERIAL	SURFACE COLOR	DESCRIPTION
-	-	-	-	-	-	-	-
A	-	929027-3	A	-	CuNiSi	SILVER/TINPLATED	WIRE SIZE 0,5 TO 1mm ²
C	-	929027-2	C	-	CuNiSi	PRETINNED	WIRE SIZE 0,5 TO 1mm ²
G	-	929027-1	G	6	CuNiSi	GOLD-/TINPLATED	WIRE SIZE 0,5 TO 1mm ²

THIS DRAWING IS A CONTROLLED DOCUMENT.

STE TE Connectivity

1,5mm SENSOR FLATTYPE RECEPTACLE
1,5mm Sensor Flachkontakt

108-18617

114-18254-1

00779 929027

SCALE 10:1 SHEET 1 of 1 REV H1