

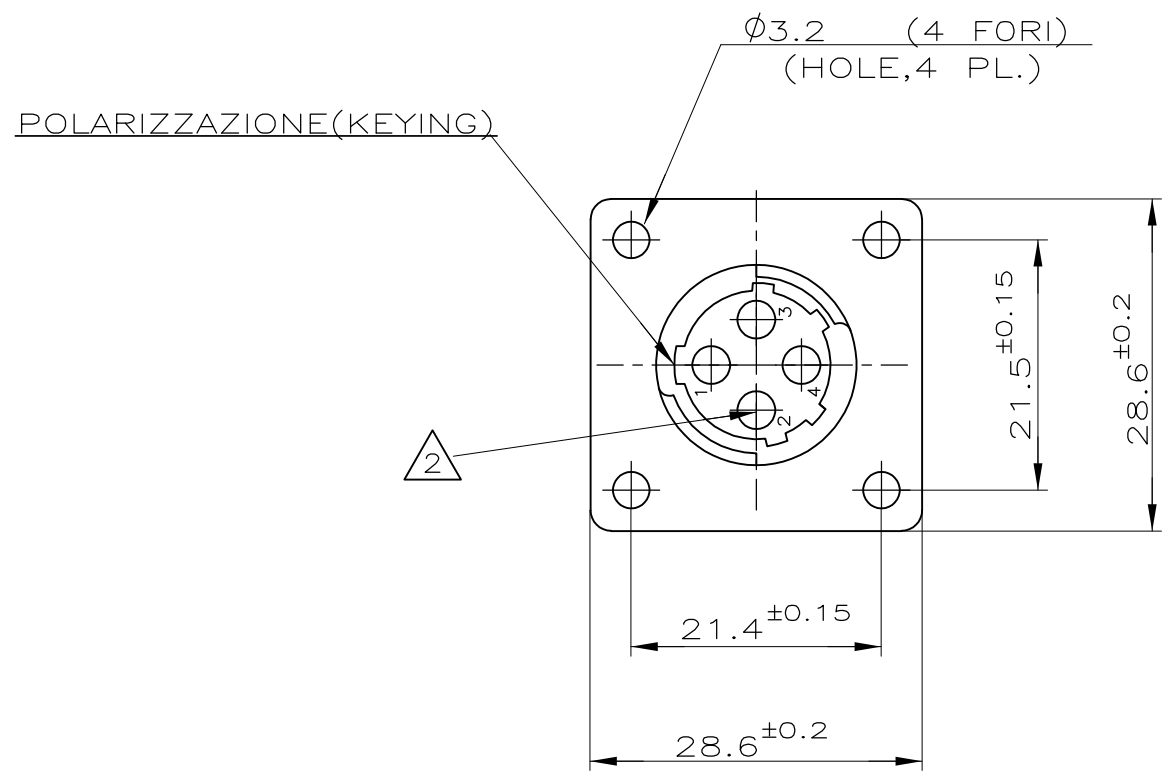
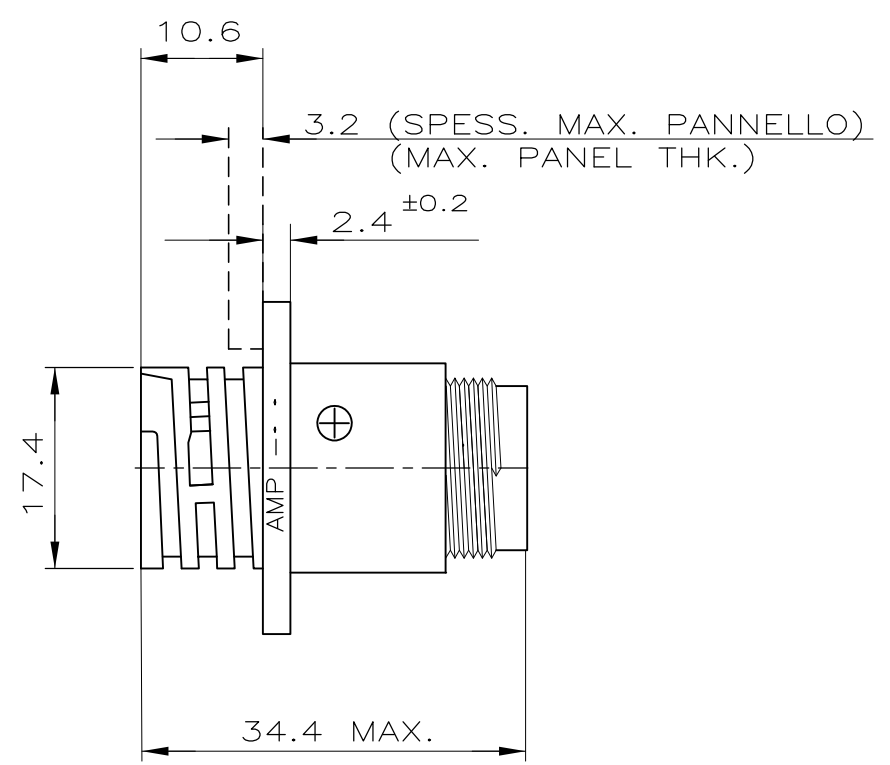
M 182917-K



MINIKIT

Proseguire nella pagina successiva per visualizzare la scheda tecnica dei componenti

Revisione	Prodotto
REV.00 24/04/2026	OEM



IL DISEGNO INDICA IL P.N. 182917-1
 (P.N. 182917-1 AS SHOWN)

NOTE(NOTES)

- MATERIALE(MATL.): TERMOPLASTICO COLORE NERO(THERMOPLASTIC, BLACK COLOR).
- OGNI CAVITA' E' IDENTIFICATA DAL NUMERO POSTO SIA SUL FRONTE CHE SUL RETRO DEL CONNETTORE. (CONTACT CAVITIES IDENTIFIED BY CHARACTERS) (ON FRONT AND REAR FACES OF CONNECTOR.)
- QUESTO CONNETTORE E' APPROVATO CON FILE N.E28476 E CERTIFICATO CON FILE N.LR7189A-259 (THIS CONNECTOR IS RECOGNIZED BY FILE N.E28476 AND CERTIFIED BY FILE N.LR7189A-259)

DISTRIBUZIONE (PRINT, DIST.)

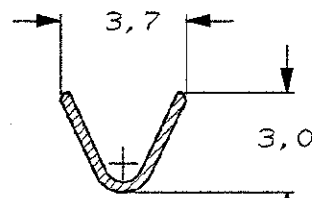
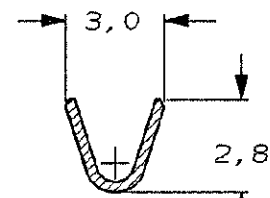
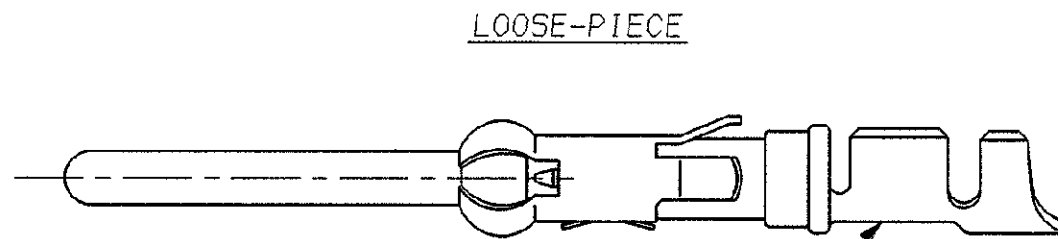
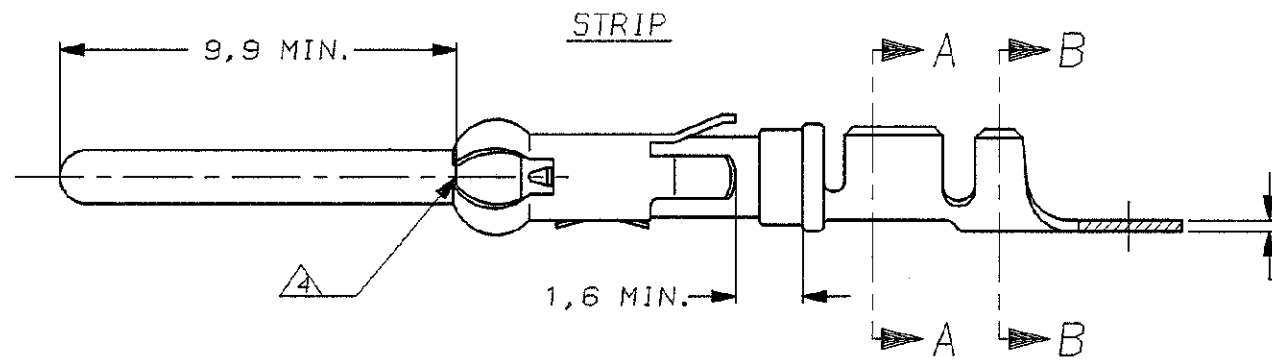
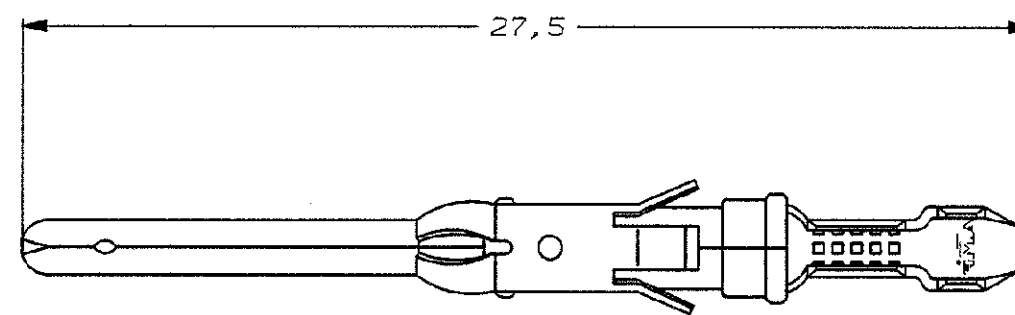
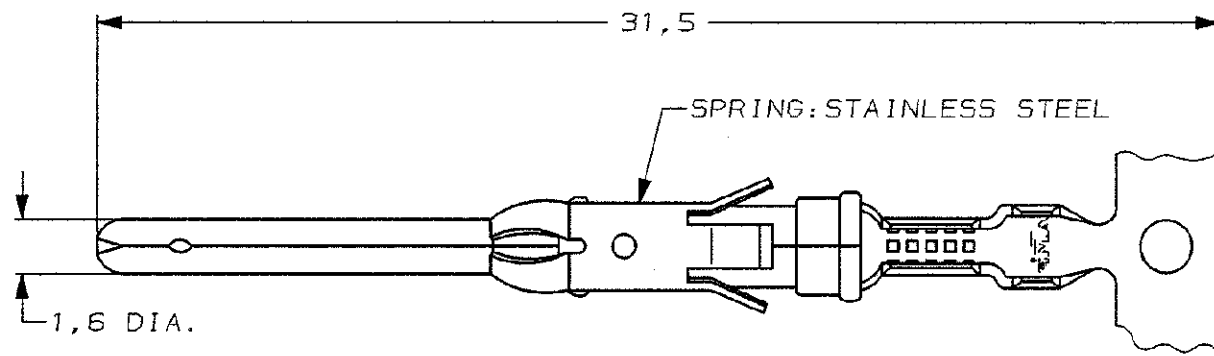
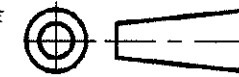
FINITURA / COLORE (FINISH / COLOUR)		MATERIALE (MATERIAL)		NUMERO (PART NUMBER)	
CUSTOMER DWG. FOR REFERENCE ONLY		DISEGNO PER CLIENTE SOLO PER RIFERIMENTO			
THIS DRAWING IS UNPUBLISHED		RELEASE FOR PUBLICATION		19	
© COPYRIGHT		BY		ALL INTERNATIONAL RIGHT RESERVED.	
TOLLERANZE: SE NON DIVERSAMENTE SPECIFICATO (TOLERANCES: UNLESS OTHERWISE SPECIFIED)		DIAM. ISOLANTE (INS. DIA. RANGE)		RANGO FILO (WIRE RANGE)	
± 0.3		-		-	
ANGOLI (ANGLES)		± 2°		TE Connectivity	
DIS. - C.CORDOLA (DR.) - 29 JUNE 91		DESCRIZIONE (DESCRIPTION)		C.P.C. SQUARE FLANGE RECEPTACLE FOR PIN CTC.S. SIZE 11-4, STD. SEX	
CONT. - (CHK) -		LOC. SIZE		NUMERO (DWG NO)	
C3		REVISED PER ECO-11-005140		R3	
REV. (REV.LTR.)		REVISIONI (REVISION RECORD)		DIS. DATA (DR) (DATE)	
		APP. - (APP.)		07APR 2011	
		LOC. SIZE		NUMERO (DWG NO)	
		A3		C-182917	
		REV.		FOLGIO (SHEET)	
		C3		1 (OF) 1	

DO NOT SCALE

DIMENSIONS IN mm

METRIC

THIRD ANGLE PROJECTION



SECTION A-A

SECTION B-B

WIRE RANGE : 0,75-1,50 mm² (18-16 AWG)
INSUL. RANGE : 2,0-2,5 mm (.080-.100)

OBSELETE	5-163081-3	A	C		BRASS	ECON. GOLD	21
	5-163081-2	A	C		BRASS	SEL. GOLD	22
	5-163081-1	A	C		BRASS	EL. TIN	20
OBSELETE	1-163081-8	A		1-163082-8	BRASS	TIN/LEAD	30
	1-163081-7	A			BRASS	SILVER	28
OBSELETE	1-163081-6	B		1-163082-6	BRASS	SILVER	28
	1-163081-5	A			PH. BRONZE	PRE-TIN	
	1-163081-4	B			PH. BRONZE	PRE-TIN	
	1-163081-3	A			BRASS	PRE-TIN	
	1-163081-2	B			BRASS	PRE-TIN	
	1-163081-1	A		1-163082-0	BRASS	ECON. GOLD	21
	1-163081-0	B			BRASS	ECON. GOLD	21
	1-163081-9	A		1-163082-1	BRASS	EL. TIN	31 20
	1-163081-8	A			BRASS	EL. TIN	20
	1-163081-7	A			BRASS	SEL. GOLD	22
	1-163081-2	A		1-163082-2	BRASS	SEL. GOLD	22
	1-163081-1	B		1-163082-1	BRASS	EL. TIN	20

DIRECTION OFF TOP OF REEL	
AMPOMATOR + MINI-APPL. 107-3-FIG.1	A
107-3-FIG.2	B
107-3-FIG.4	C

NOTES	MATERIAL	THICKNESS	AREA
21	TIN	2,0 μm	ALL OVER
22	NICKEL GOLD	0,8 μm	ALL OVER CONTACT AREA
23	NICKEL GOLD	0,8 μm	ALL OVER CONTACT AREA BARREL
24	NICKEL GOLD	1,2 μm	ALL OVER CONTACT AREA
25	NICKEL SILVER	2,5 μm	ALL OVER CONTACT AREA BARREL
26	SILVER NICKEL	1,5-2,5 μm 0,76 μm	ALL OVER ALL OVER
29	SILVER	2,5 μm	ALL OVER
30	NICKEL TIN/LEAD	1,27 μm	ALL OVER ALL OVER
31	LUBRICATED		

AW2	ECR-10-022205	KK	HMR	02FEB11			
AW1	REVISED PER ECO-10-000444	KK	AEG	11JAN10			
AW	EBD0-0335-04	JMS	FWK	02-08-04			
W	EH-1347-96	JvL	RV	21-11-96			
V	EH-0302-94	JvL	MvD	03-05-94			
U	ECN H-9813	JvdH	RD	18-05-92			
T	ECN H-9192	MvD	RD	09-10-91			
LTR.	REVISION RECORD	DR.	CHK.	DATE			
DR.:	-	CHK.:	-	APP.:	-	DWG. No.	163081
DATE:	-	DATE:	-	DATE:	-	REV. LTR.	AW2
						SHEET	1 OF 1

CUSTOMER DRAWING FOR REFERENCE ONLY WILL NOT BE UPDATED

© COPYRIGHT 19- BY AMP HOLLAND B.V.
ALL INTERNATIONAL RIGHTS RESERVED. AMP PRODUCTS MAY BE COVERED BY U.S. AND FOREIGN AND/OR PATENTS PENDING.
THIS DRAWING IS UNPUBLISHED
RELEASED FOR PUBLICATION

Tyco Electronics Tyco Electronics Corporation
's-Hertogenbosch, Nederland

PIN TYPE III CONTACT
SIZE 16

- NOTES :**
- 1 U.L. RECONIZED UNDER FILE E28476 VOL. VI SEC. I .
 - 2 FOR CRIMPDETAILS SEE TE -SPEC. 114-19.000 .
 - 3 MEETS PRODUCTSPECIFICATION 108-10042.
 - 4 0,40 MAX. GAP BETWEEN SPRING-NOSE AND CONTACT BODY.
 - 5 SPECIAL REEL WITH 200 PCS FOR REEL-FED HANDTOOL.
 - 6 OBSELETE PARTS: OBSELETE CIS STREAMLINING PER D.RENAUD/D.SINISI
 - 7 OBSELETE
 - 8 SUPERSEDED BY 1-66098-8