

# M 182921-K



MINIKIT

*Proseguire nella pagina successiva per visualizzare la scheda tecnica dei componenti*

Revisione	Prodotto
REV.00 16/04/2026	OEM

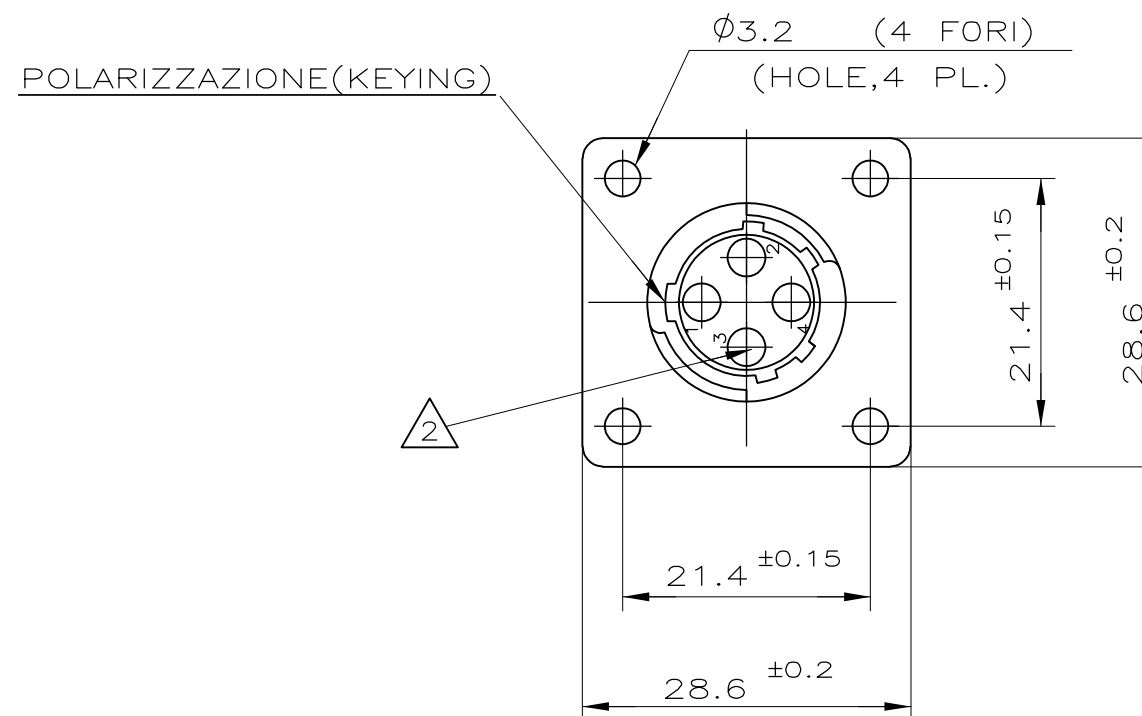
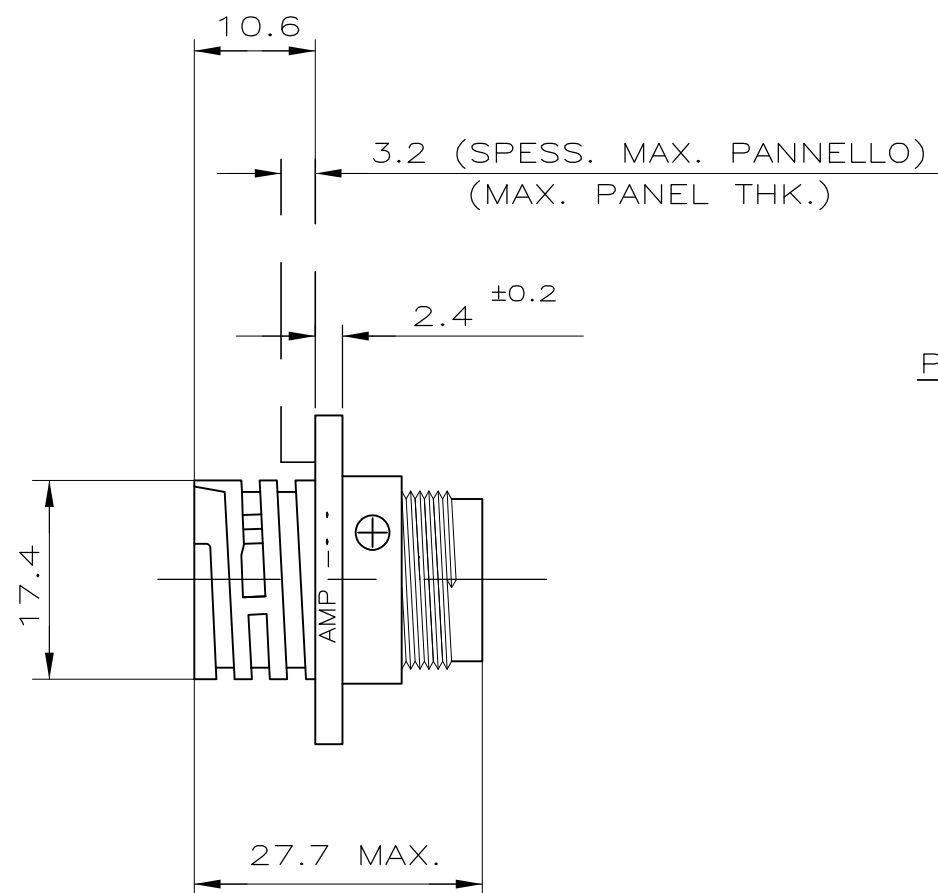
THIS DRAWING IS UNPUBLISHED.

RELEASED FOR PUBLICATION

ALL RIGHTS RESERVED.

© COPYRIGHT - By -





LOC	DIST	REVISIONS					
		P	LTR	DESCRIPTION	DATE	DWN	APVD
-	-		M4	REVISED PER ECO-11-005301	02MAR11	RK	HMR




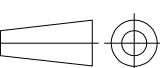
## NOTE(NOTES)

1. MATERIALE(MATL.): TERMOPLASTICO COLORE NERO(THERMOPLASTIC, BLACK COLOR).

2. OGNI CAVITA' E' IDENTIFICATA DAL NUMERO POSTO SIA SUL FRONTE CHE SUL RETRO DEL CONNETTORE. (CONTACT CAVITIES IDENTIFIED BY CHARACTERS) (ON FRONT AND REAR FACES OF CONNECTOR.)

3. QUESTO CONNETTORE E' APPROVATO  CON FILE N.E28476 E CERTIFICATO  CON FILE N.LR7189A-259 (THIS CONNECTOR IS  RECOGNIZED BY FILE N.E28476 AND  CERTIFIED BY FILE N.LR7189A-259)

IL DISEGNO INDICA IL P.N. 182921-1 (P.N. 182921-1 AS SHOWN)

THIS DRAWING IS A CONTROLLED DOCUMENT.		DWN C.CORDOLA	22JUN1991	 TE Connectivity					
DIMENSIONS: mm		CHK C.CORDOLA	22JUN1991						
TOLERANCES UNLESS OTHERWISE SPECIFIED: ±0.3		APVD -		NAME C.P.C. SQUARE FLANGE RECEPTACLE FOR SOCKET CONTACTS, SIZE 11-4, REV. SEX					
		PRODUCT SPEC -		APPLICATION SPEC -					
MATERIAL -		FINISH -		WEIGHT -		SIZE A3	CAGE CODE 00779	DRAWING NO C-182921	RESTRICTED TO -
CUSTOMER DRAWING				SCALE -	SHEET 1 OF 1	REV M4			

