

M 185010-1



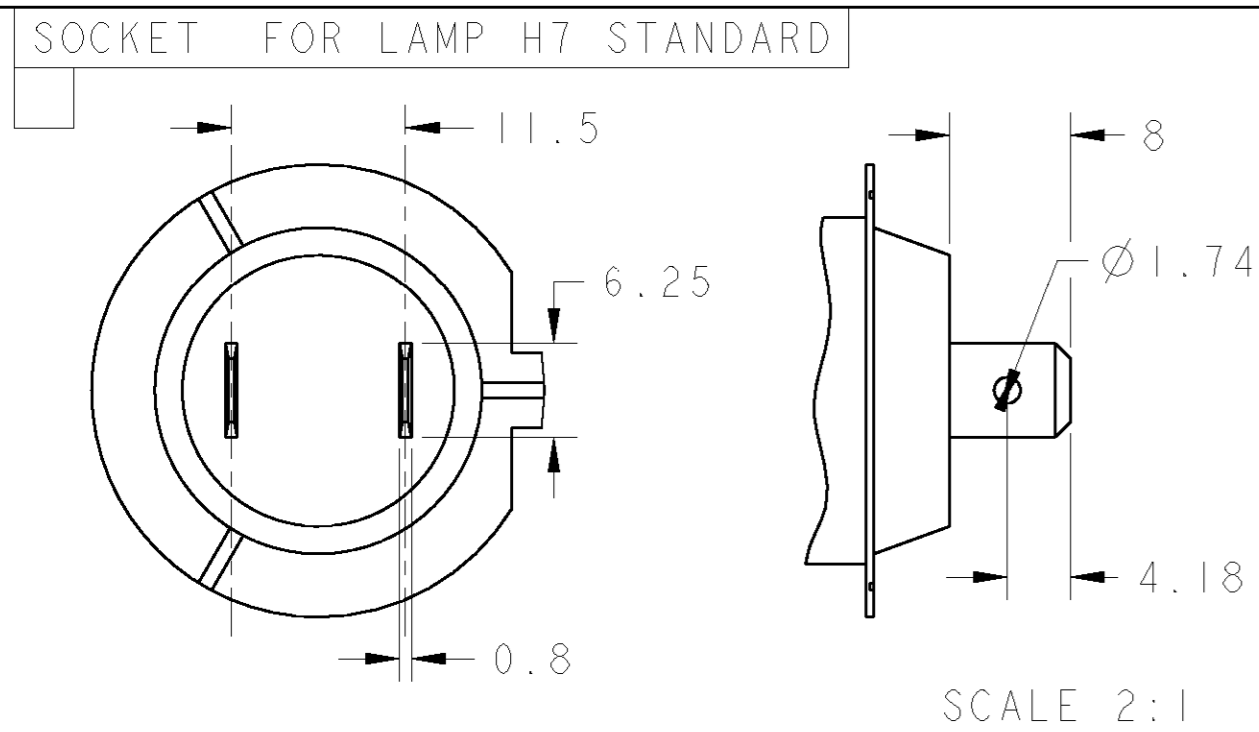
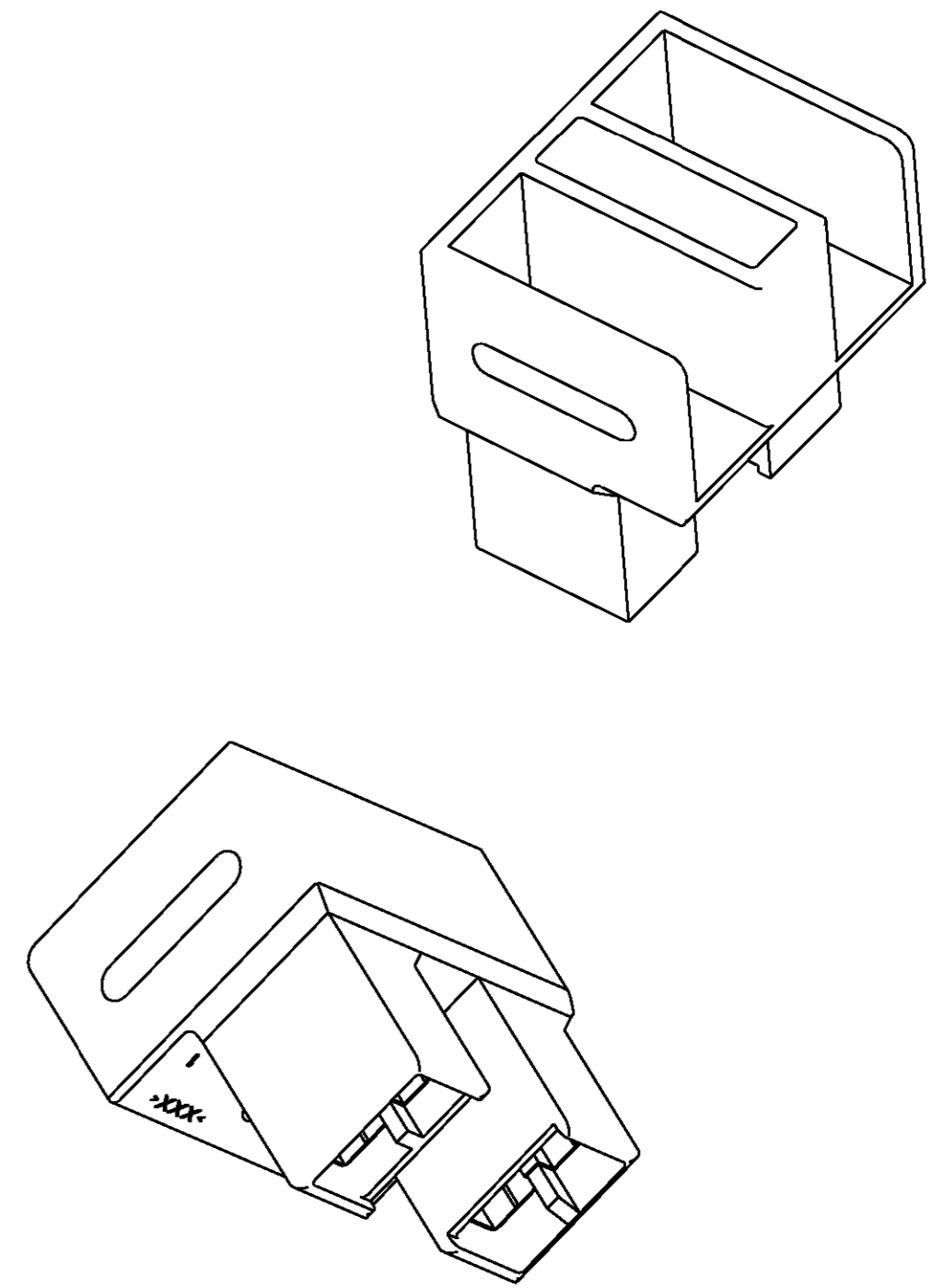
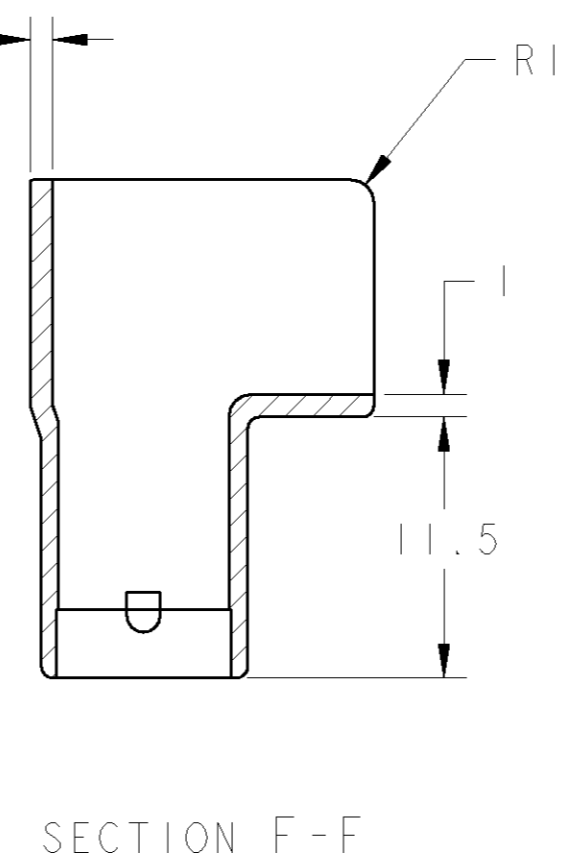
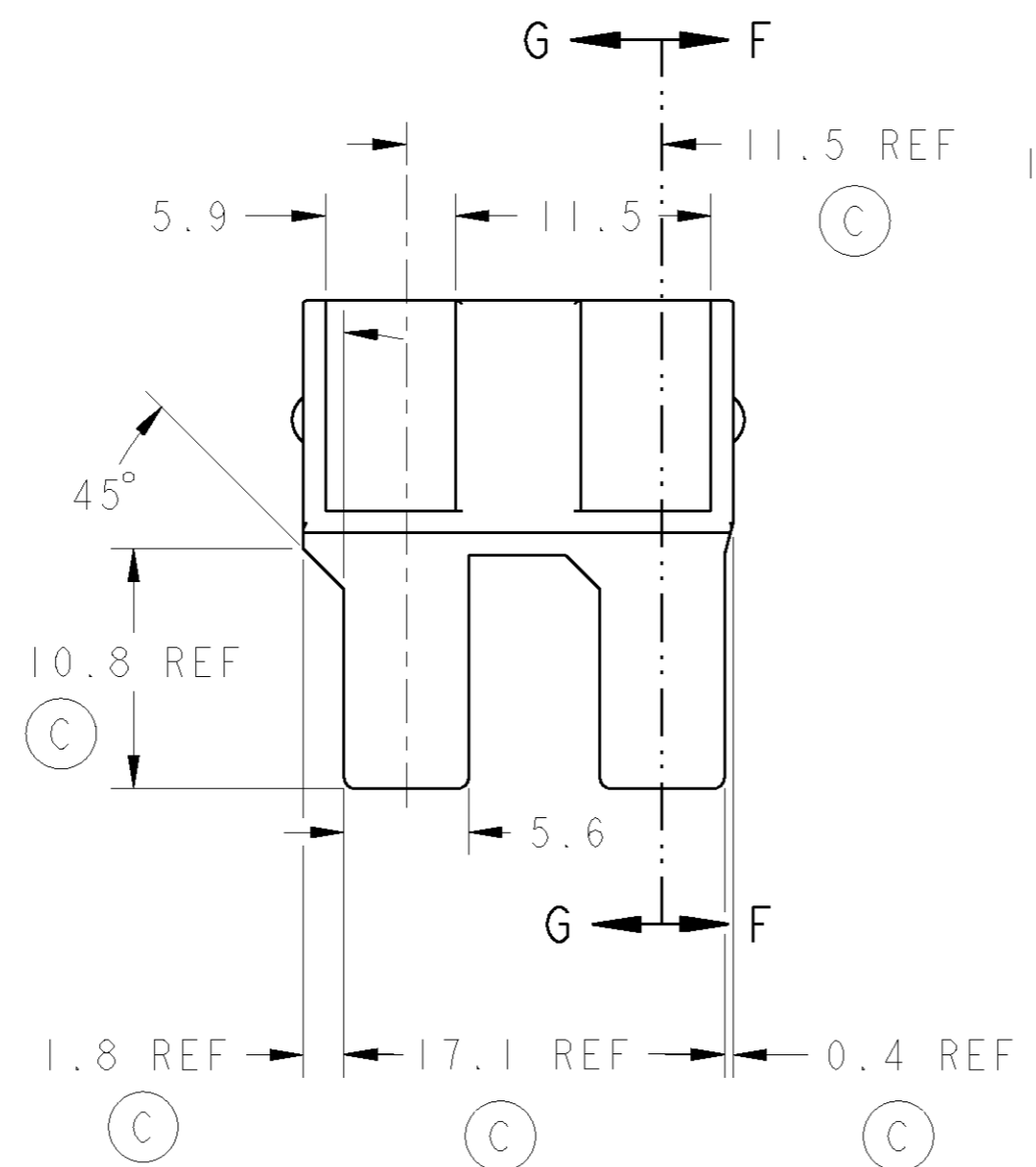
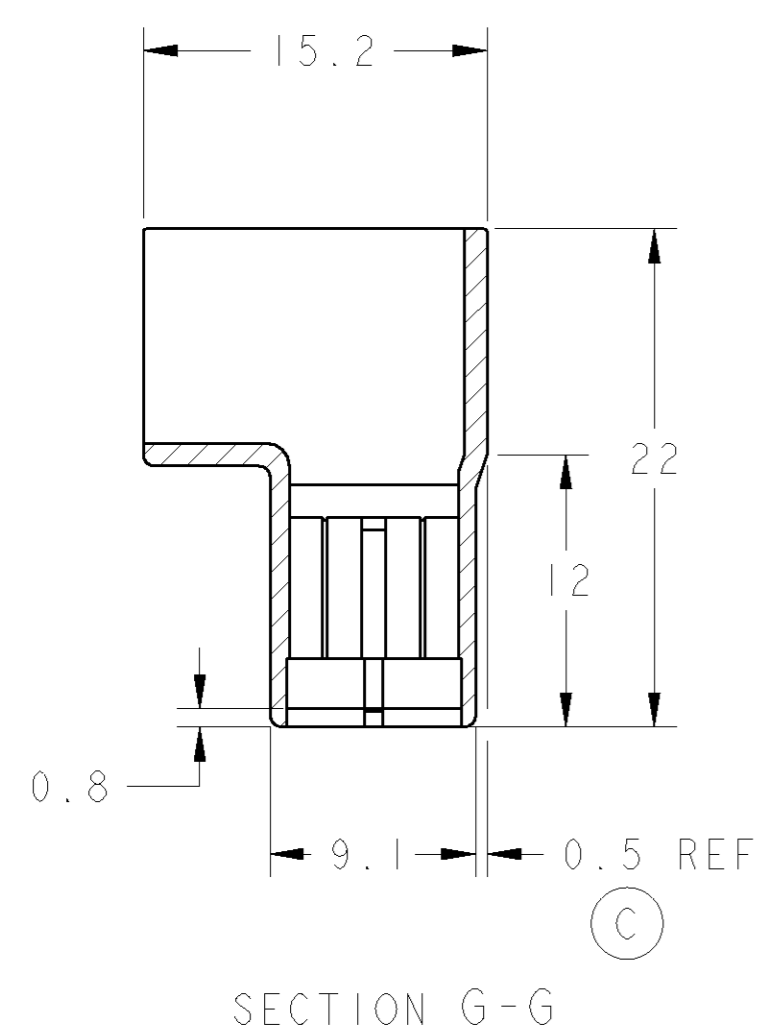
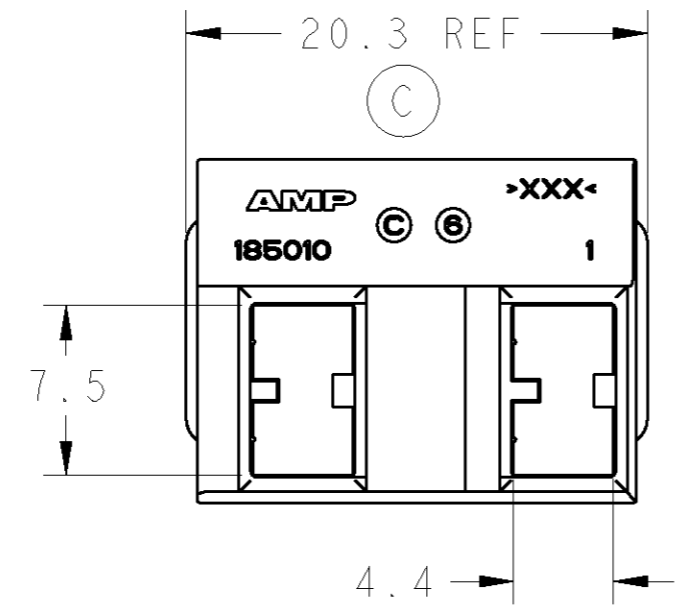
Proseguire nella pagina successiva per visualizzare la scheda tecnica dei componenti

Revisione	Prodotto
REV.01 14/04/2026	AfterMarket

THIS DRAWING IS UNPUBLISHED. RELEASED FOR PUBLICATION
 DIFFUSION RESTREINTE. LIBRE A LA DIFFUSION

© COPYRIGHT 20 BY TYCO ELECTRONICS CORPORATION. ALL RIGHTS RESERVED. TOUS DROITS RESERVES.

LOC	DIST	REVISIONS					
		P	LTR	DESCRIPTION MODIFICATIONS	DATE	DWN DESS.	APVD APP.
AL	2	B		AJOUT VERSION PA66 MARRON	14MAR96	JJR	-
		C		185010-2 NOIR REMPLACE 185010-1	13AUG01	AA	JJR
		D		REVISED PER ES00-0040-02	02APR02	JL	JL
		E		REVISED PER ES00-0136-02	16OCT02	JL	JL



CAJA PARA TERM. DE SEGURIDAD REF. 282349-1

HOUSING FOR POSITIVE LOCK P.N 282349-1

185010-2	PA66 20% GF	BLACK
185010-1	PCT 30% GF	BLACK
PART NUMBER	MATERIAL	COLOR

THIS DRAWING IS A CONTROLLED DOCUMENT FOR TYCO ELECTRONICS CORPORATION IT IS SUBJECT TO CHANGE AND THE CONTROLLING ENGINEERING ORGANIZATION SHOULD BE CONTACTED FOR THE LATEST REVISION. CE PLAN EST UN DOCUMENT CONTROLÉ PAR TYCO ELECTRONICS. IL EST SUSCEPTIBLE D'ÊTRE REVISÉ. CONTACTER LE SERVICE TECHNIQUE DE TYCO ELECTRONICS POUR OBTENIR LA DERNIÈRE RÉVISION.		DWN/DESSINE JJ 14MAR1996	tyco Electronics		TYCO ELECTRONICS AMP ESPAÑOLA S.A BARCELONA ESPAÑA
DIMENSIONS: mm		CHK/VERIFIE Y. PETRONIN 30MAY1996	NAME TITRE		
TOLERANCES UNLESS OTHERWISE SPECIFIED: (SUIV NB DE DECIMALES) 0 PLC/DEC: ± 1 PLC/DEC: ±0.3 2 PLC/DEC: ± 3 PLC/DEC: ± 4 PLC/DEC: ± ANGLES: ±5°		APVD/APROUVE Y. PETRONIN 30MAY1996	PRODUCT SPEC SPEC. PRODUIT		
MATERIAL/MATIERE SEE TABLE		APPLICATION SPEC SPEC. APPLICATION	2 POS HSG H7 HEADLIGHT CAJA 2VIAS, LAMPARA H7		
		WEIGHT MASSE APPROX. -	SIZE FORMAT A2	CAGE CODE 00779	DRAWING NO No PLAN C-185010
		CUSTOMER DRAWING /PLAN CLIENT	UNIFORMENT POUR REFERENCE	SCALE ECHELLE 2:1	SHEET FEUILLE OF DE REV E