

M 2-962352-1K



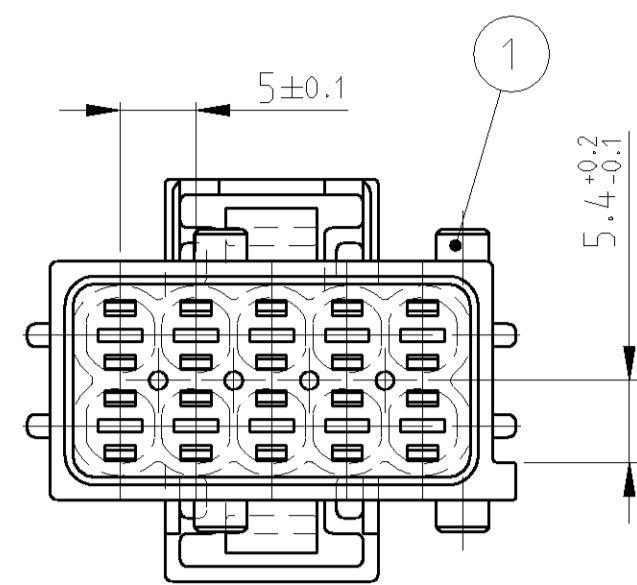
MINIKIT

Proseguire nella pagina successiva per visualizzare la scheda tecnica dei componenti

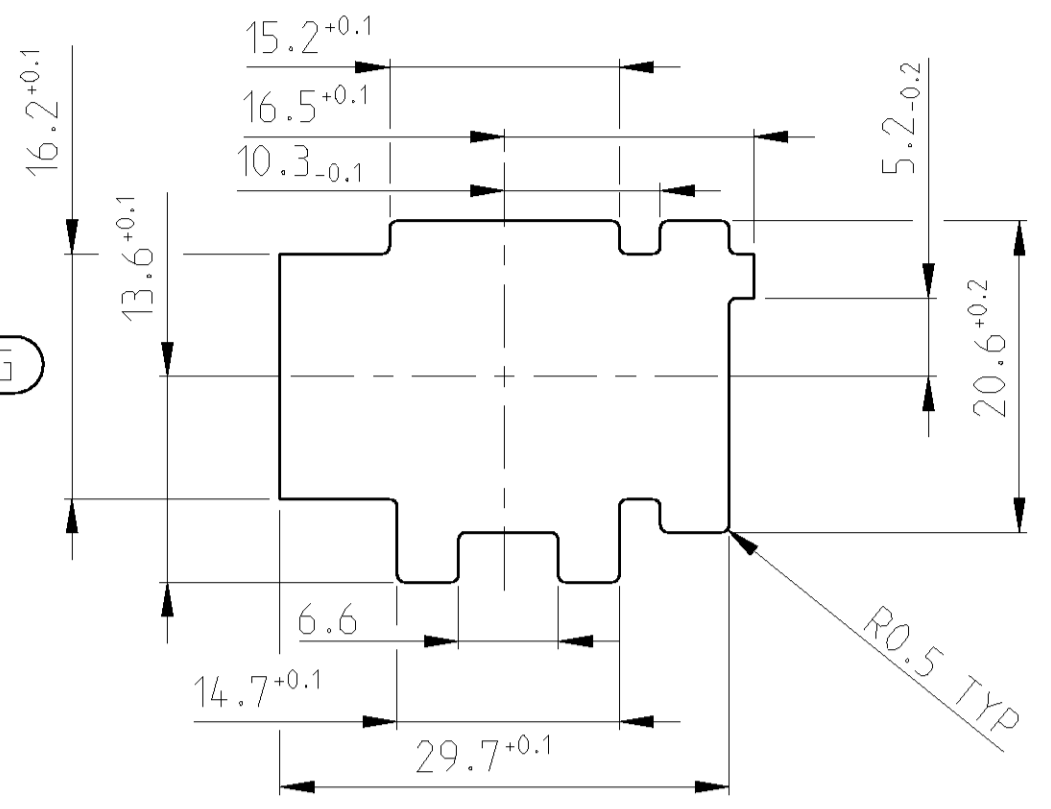
Revisione	Prodotto
REV.00 14/04/2026	OEM

PROJECT NO.		LOC	DIST	REVISIONS					
89-52111		A1	-	P.	LTR	DESCRIPTION	DATE	DWN	APPR
E2	SEE PCN EG00-0789-02						05MAR02	H.M.	T.K.
E3	SEE PCN EG00-0893-02						12MAR02	H.M.	T.K.
F	SEE E-07-025384						24OCT2007	CA	TK

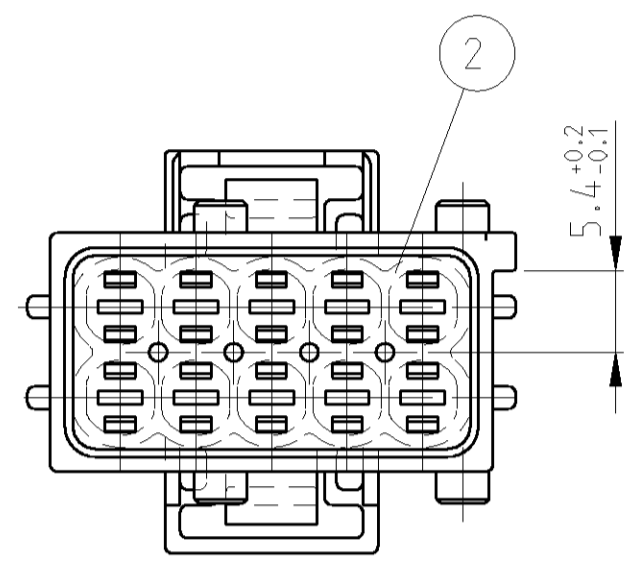
CODING A1



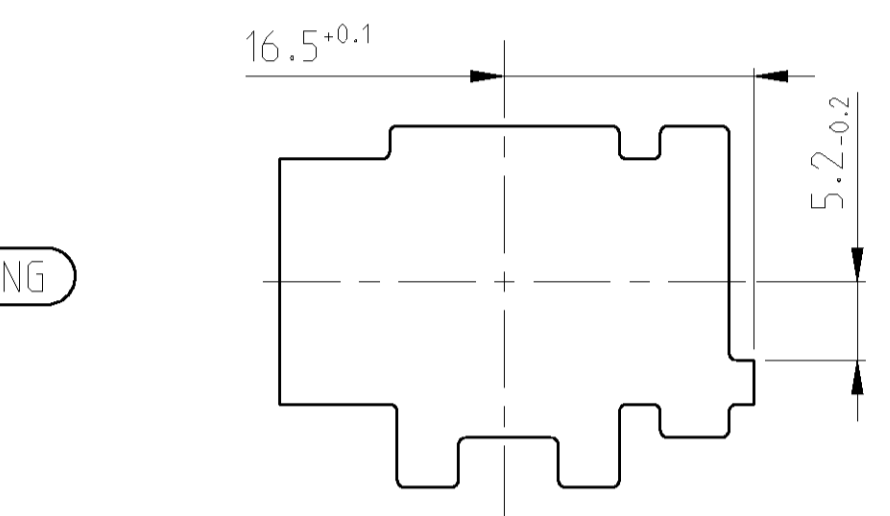
MOUNTING OPENING



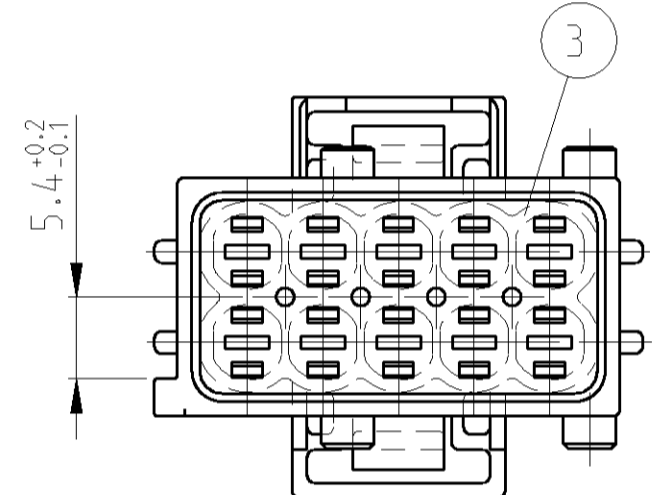
CODING B1



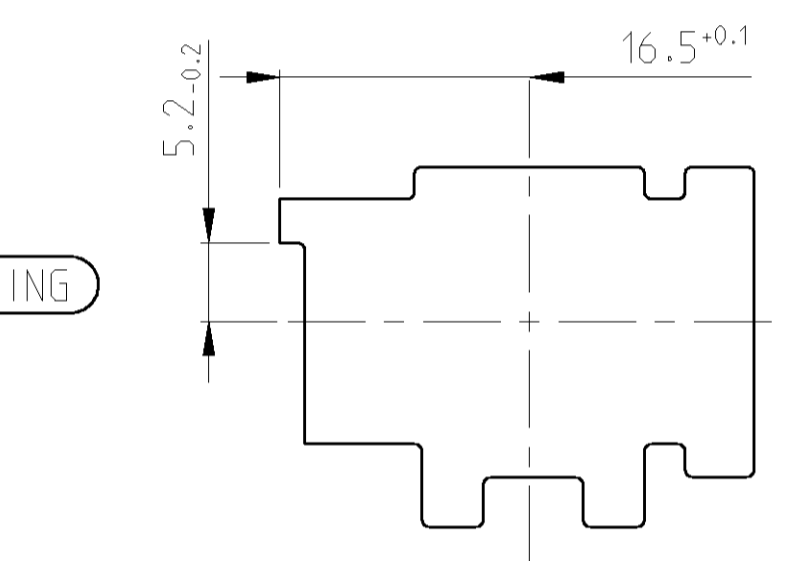
MOUNTING OPENING



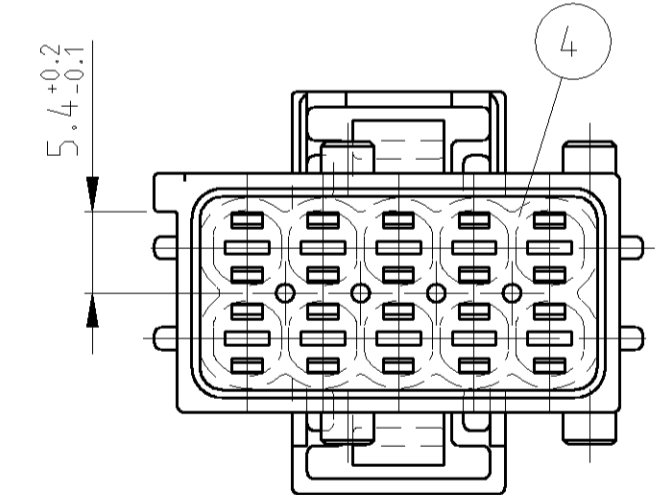
CODING C1



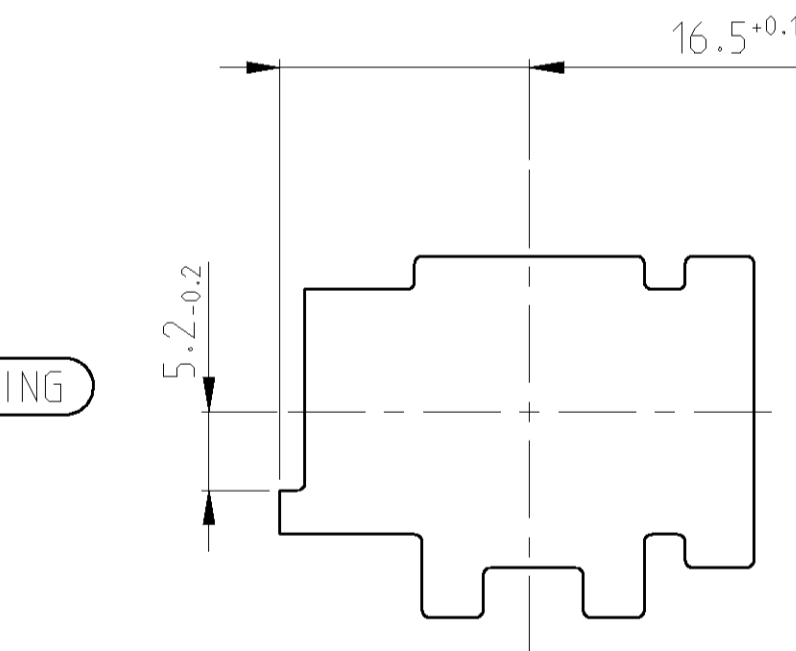
MOUNTING OPENING



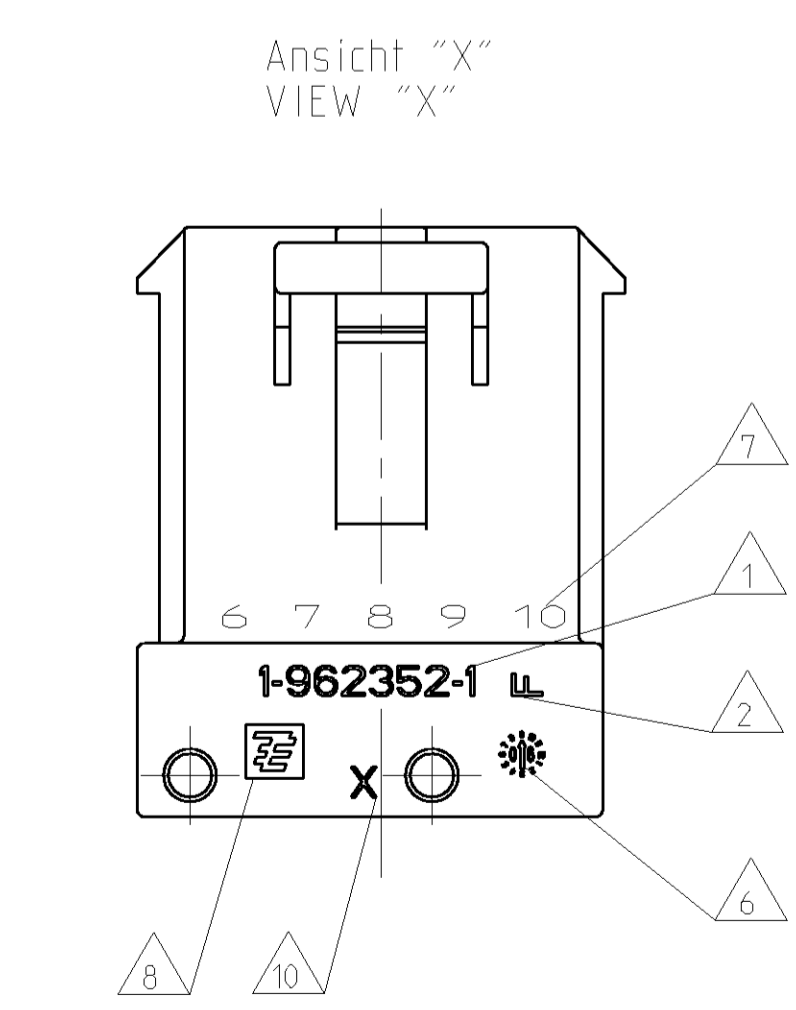
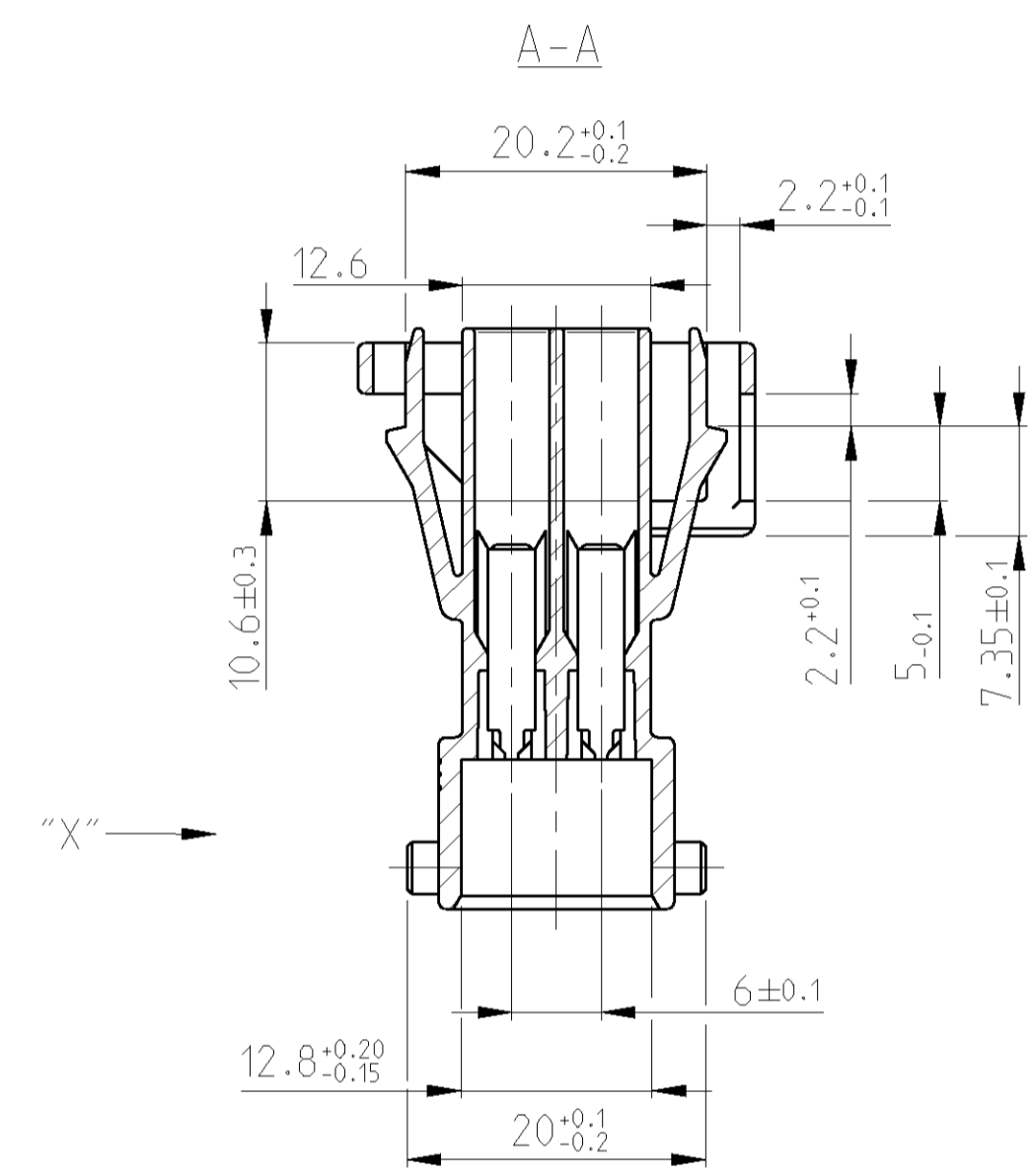
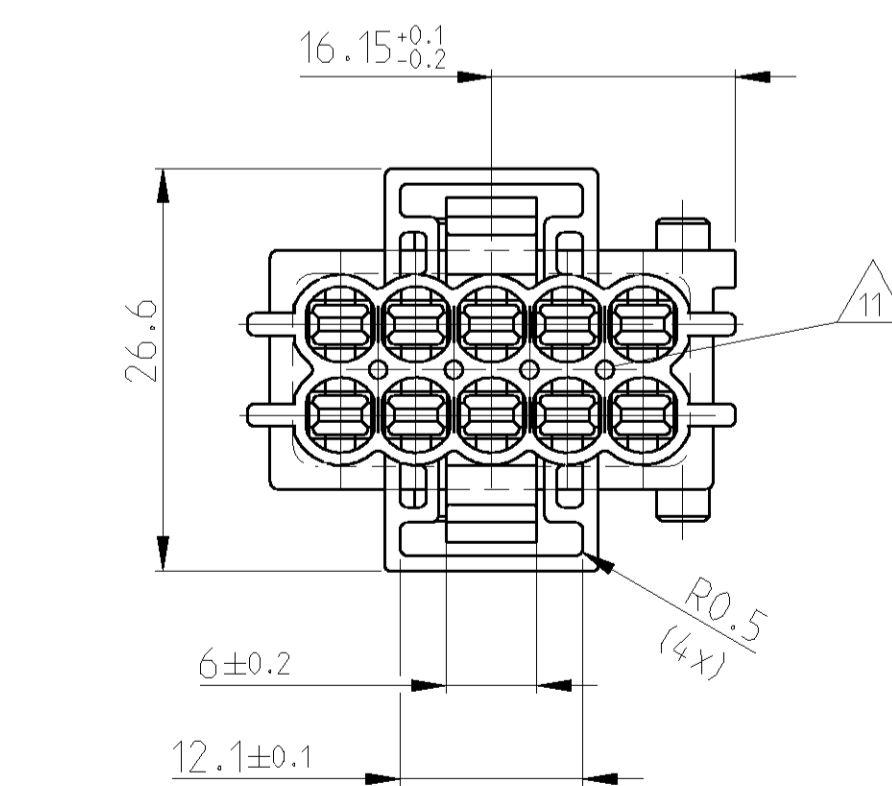
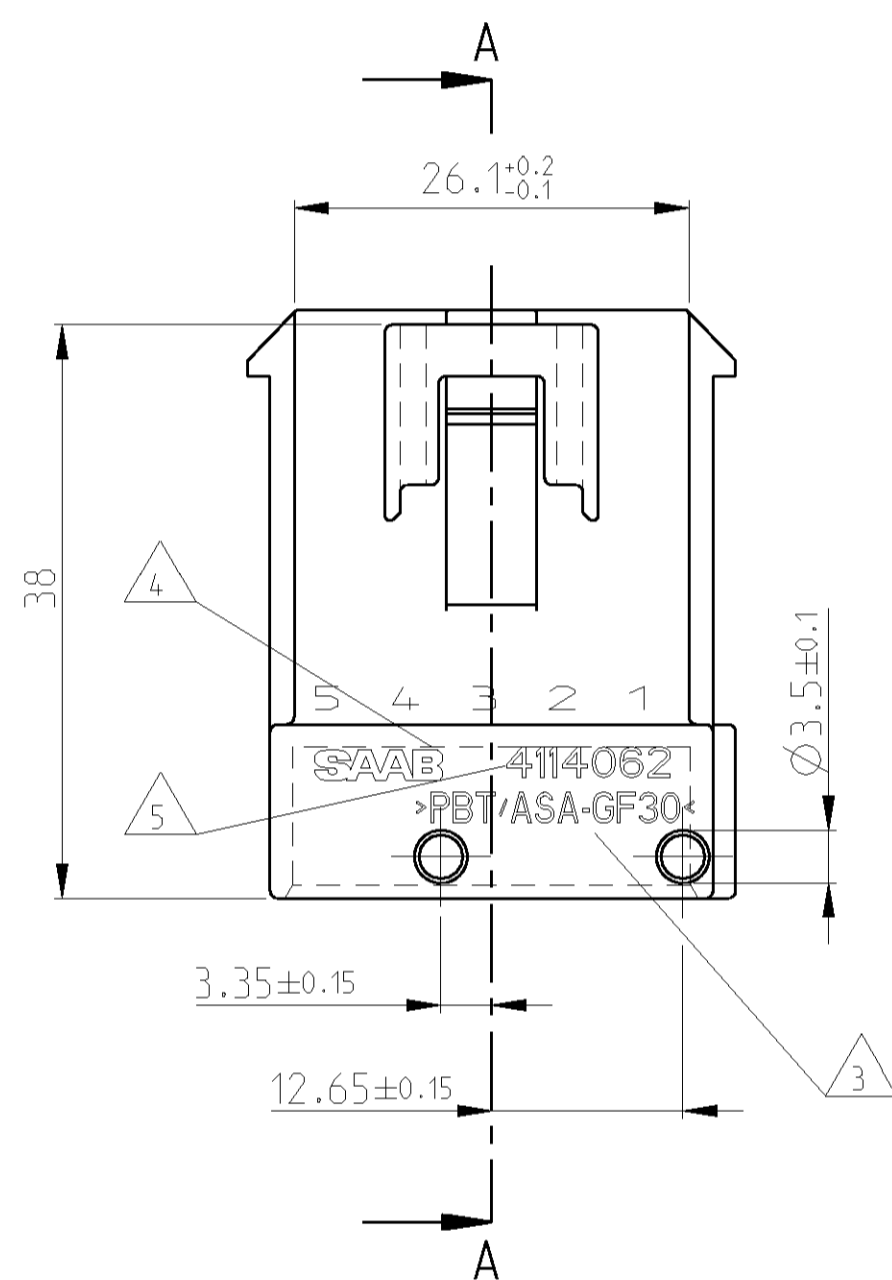
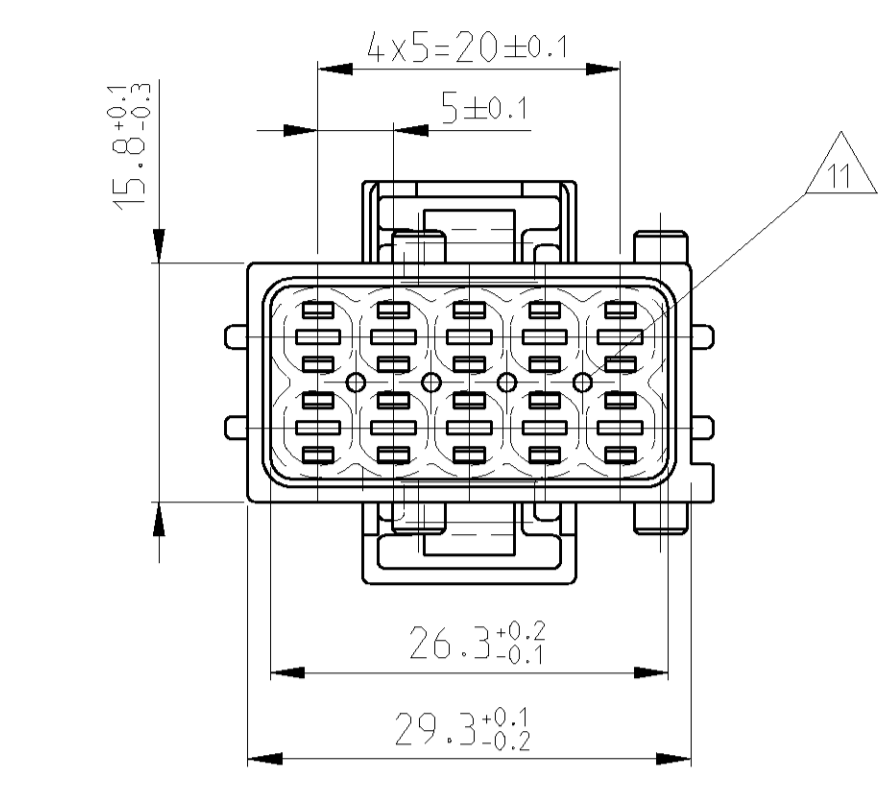
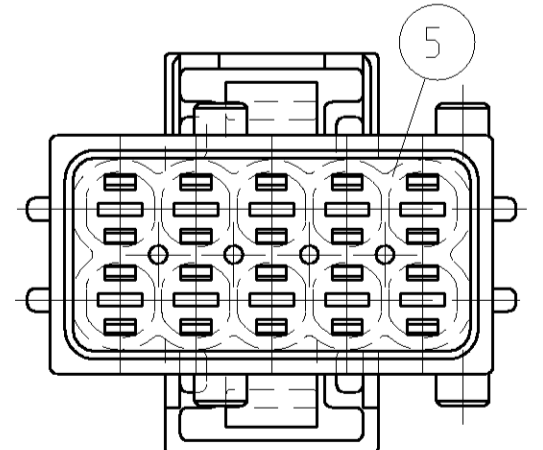
CODING D1



MOUNTING OPENING



CODING N



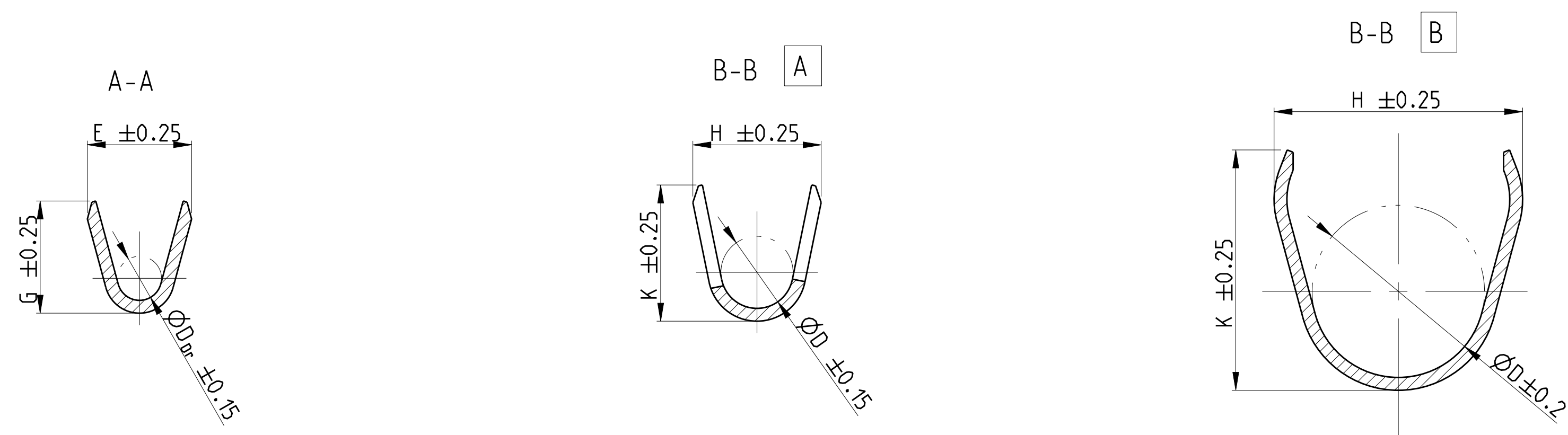
- NOTES
BEMERKUNGEN
- NV NOTE NOT VALID
Bemerkung nicht verwendet
 - 1 ORDER NUMBER
BESTELL-NUMMER
 - 2 REVISION NUMBER
WERKZEUGÄNDERUNGS INDEX
 - 3 MATERIAL MARKING
WERKSTOFFKENNZEICHNUNG
 - 4 SAAB LOGO
 - 5 SAAB PART-NO.
SAAB-TEILENUMMER
 - 6 PRODUCTION DATE
PRODUKTIONS DATUM
 - 7 CONTACT CAVITY NUMBER
KONTAKTKAMMERNUMMER
 - 8 TE- LOGO
 - 9 PACKAGING: BULK MATERIAL IN CARDBOARD BOX
VERPACKUNG: SCHÜTTGUT IN KARTON
 - 10 TOOL CAVITY MARKING
NESTMARKIERUNG
 - 11 OPTIONAL SUIT OF CORES FOR MATERIAL RECESS
Mögliche Materialentnahme

1-962352-1 shown

CUSTOMER PART NO	TE PART NO	REV.	CODING	MATERIAL	SURFACE COLOR	DESCRIPTION	ITEM NO
4114054	5-962352-1	F	CODING N	PBT/ASA-GF-30	WHITE	2.8MM TAB HOUSING, 10 POS.	5
4114096	4-962352-1	F	CODING D1	PBT/ASA-GF-30	BROWN	2.8MM TAB HOUSING, 10 POS.	4
4114088	3-962352-1	F	CODING C1	PBT/ASA-GF-30	BLUE	2.8MM TAB HOUSING, 10 POS.	3
4114070	2-962352-1	F	CODING B1	PBT/ASA-GF-30	GREY	2.8MM TAB HOUSING, 10 POS.	2
4114062	1-962352-1	F	CODING A1	PBT/ASA-GF-30	BLACK	2.8MM TAB HOUSING, 10 POS.	1

DIMENSIONS:		TOLERANCES UNLESS OTHERWISE SPECIFIED:		DWN		24OCT2007		Tyco Electronics Tyco Electronics AMP GmbH 64625 Bensheim (Germany)	
mm		0 PLC ±0.3 1 PLC ±0.3 2 PLC ±0.3 3 PLC ±0.3 4 PLC ±0.3 ANGLES ±		Cdr		25OCT2007		NAME	
MATERIAL		FINISH		PRODUCT SPEC		108-18102		2.8MM TAB HOUSING, 10 POS.	
-		-		APPLICATION SPEC		114-18175		SIZE CAGE CODE DRAWING NO	
-		-		WEIGHT		8.7g		RESTRICTED TO	
-		-		CUSTOMER DRAWING		A100779 C-962352		SCALE 2:1 SHEET 1 OF 1 REV F	

STRIP FORM Bandware

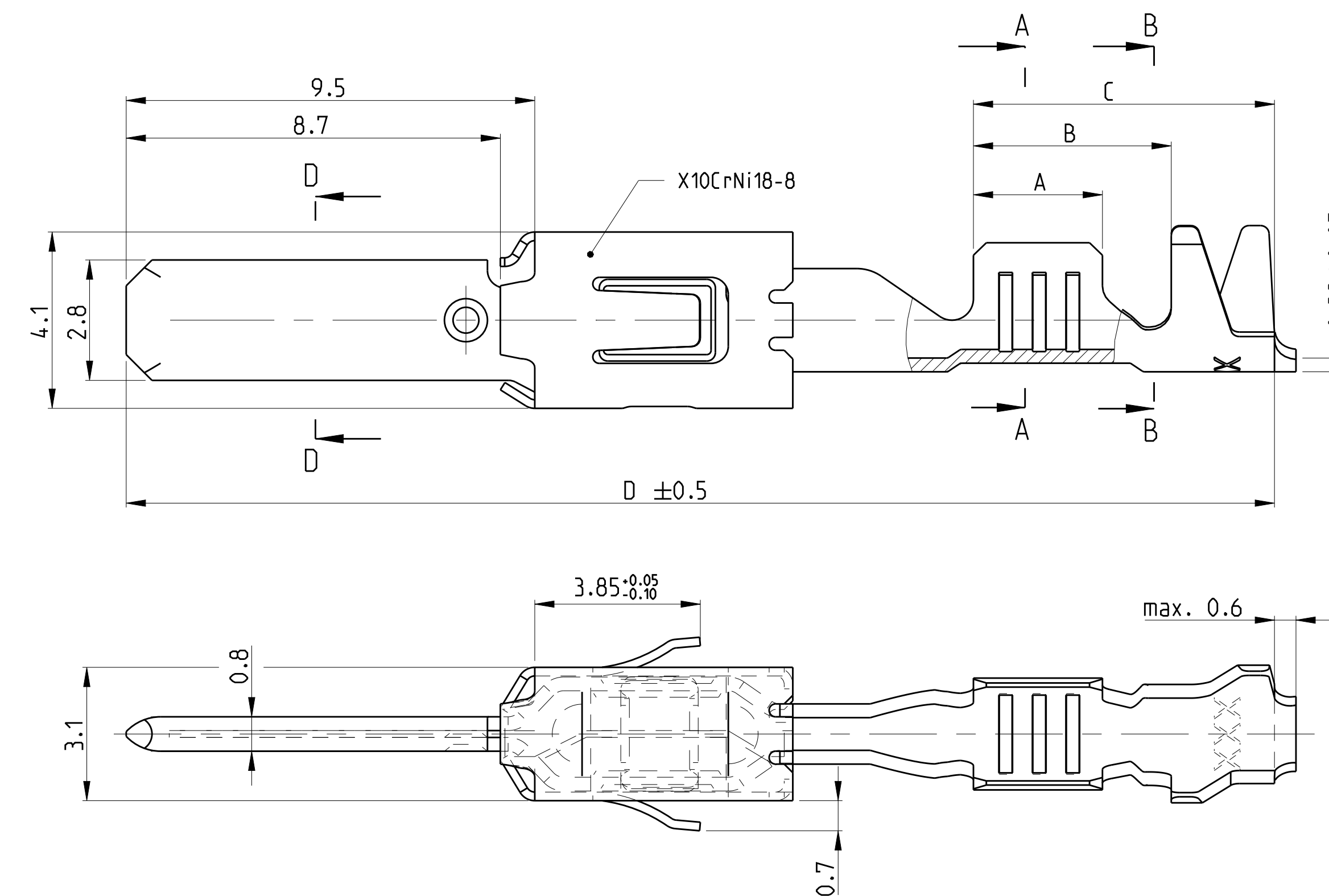


- 1 CONTACT AREA PRE SILVER MIN. 3µm
CANTILEVER SPRING PLAIN
Kontaktzone vorversilbert min. 3µm
Ueberfederer blank
- 2 CONTACT BODY NI-PLATING MIN. 0.5µm; CONTACT AREA PRE-GOLD MIN. 0.6µm
OVER NICKEL; CRIMP AREA PRE-TIN
CANTILEVER SPRING PLAIN
Kontaktkoerper vernickelt min. 0.5µm; Kontaktzone vorvergoldet min. 0.6µm ueber Nickel
Crimpzzone vorverzinkt; Ueberfederer blank
- 3 IN THIS AREA CRACK SHAPING AT THE SURFACE PERMISSIBLE
In diesem Bereich Rissbildung in der Oberflaeche zulassig
- 4 PRE-TIN MIN. 1µm; CANTILEVER SPRING PLAIN
vorverzinkt min. 1µm; Ueberfederer blank

- 5 AWG 12 TXL 828905-1 OR / oder 282536-1
AWG 12 GXL 638865-1
- 6 ATTENTION! CONSTRUCTION OF THE CONTACT CAVITY IN THE AREA OF THE SINGLE WIRE SEAL IS Ø6.4^{+0.1}_{-0.05}
Achtung! Die Kammer ist im Bereich der Einzeldichtung auf Ø6.4^{+0.1}_{-0.05} auszuliegen
- 7 PUNCHED WITH VOLATILIZING STAMPING-OIL
Gestanz mit verfluechtigendem Stanzoel

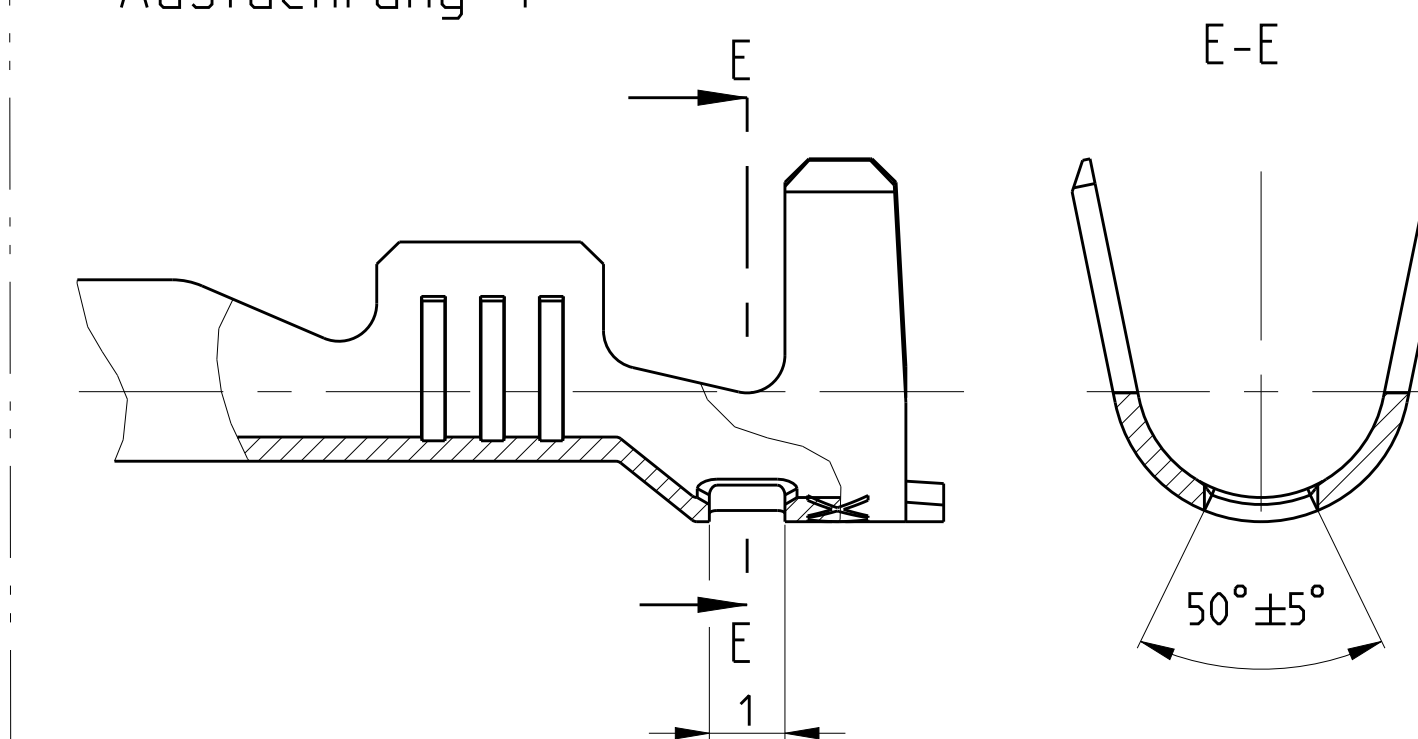
FLR-/FLK-WIRE FLR-/FLK-Leitung

DESIGN 1 Ausfuehrung 1

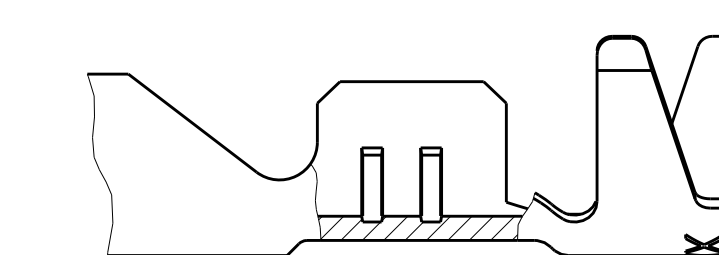


SINGLE WIRE SEAL Einzeldichtungssystem

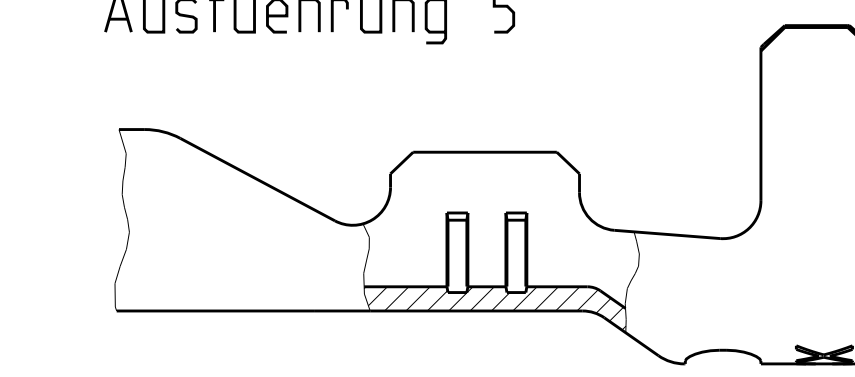
DESIGN 4 Ausfuehrung 4



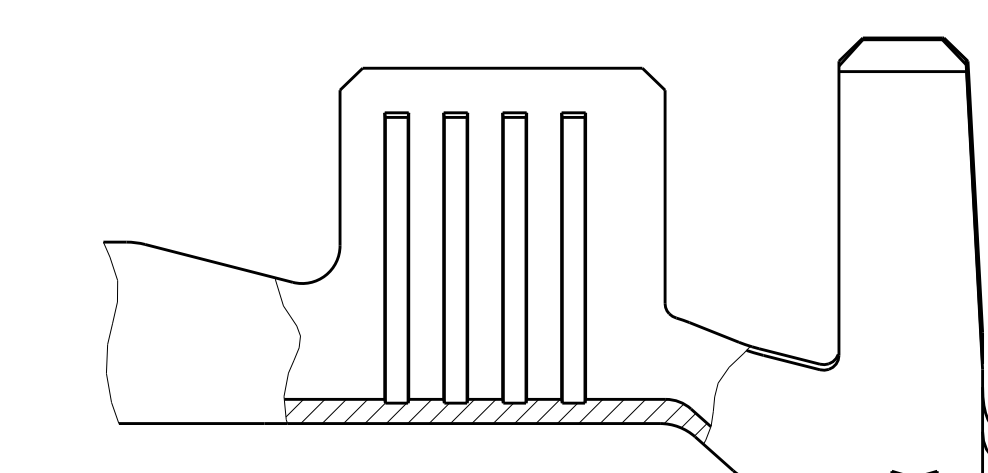
DESIGN 2 Ausfuehrung 2



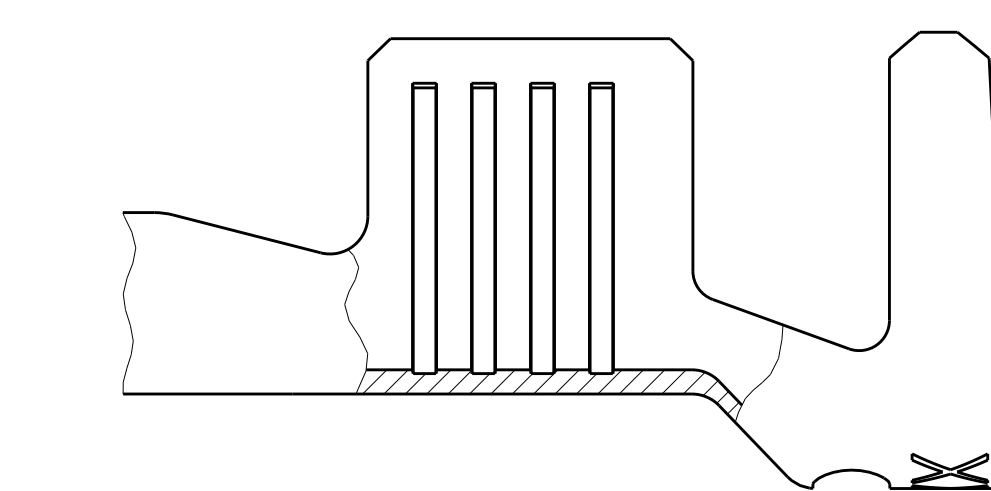
DESIGN 5 Ausfuehrung 5



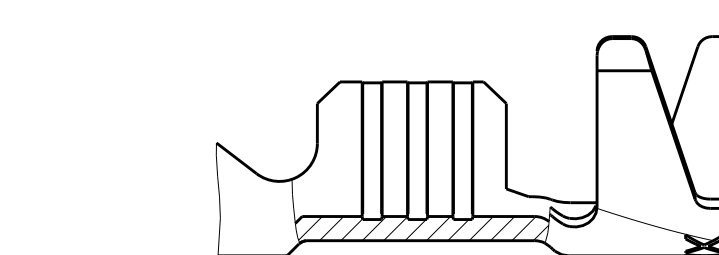
DESIGN 3 Ausfuehrung 3



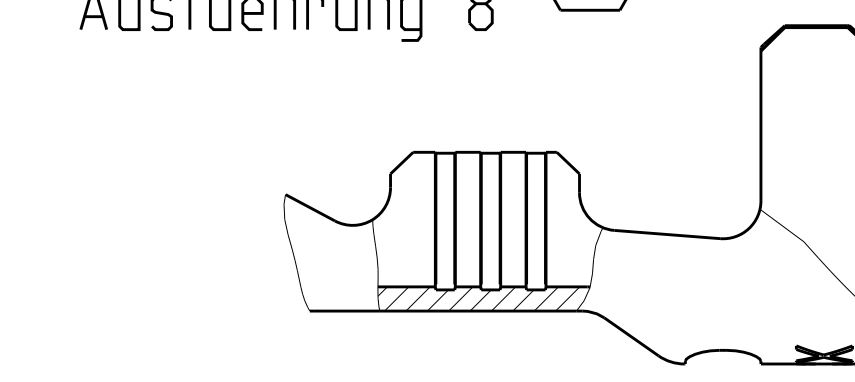
DESIGN 6 Ausfuehrung 6



DESIGN 7 Ausfuehrung 7



DESIGN 8 Ausfuehrung 8



TE ORDER-NO.	DESIGN REV	MATERIAL	SURFACE	DGB	INSULATION	STRIP FORM WIRE CRIMP DRATHCRIMP	INSUL. CRIMP ISOLATIONS CRIMP BANDWARE	APPLICATION TOOL	HAND TOOL	TE ORDER-NO.	TE ORDER-NO.	DIMENSIONS				TE ORDER-NO.	TE ORDER-NO.
												A	B	C	D		
1-1719504-2	A	4	CuSn4	△	12 AWG	max. 3.0	E = 4.0 G = 4.2 D _{Dr} = 2.0	A H = 5.3 K = 5.0 D = 3.6	1852291-3	-	3.5	6.0	7.6	26.8	△	828922-1	
1-1719504-1	A	4	CuSn0.20	△	FLR	max. 3.7	E = 4.5 G = 4.7 D _{Dr} = 2.3	B H = 6.2 K = 6.0 D = 4.3	MQC APPLICATOR 2-541537-2	539635-1 MATRIZE : 539727-2	4.3	6.9	8.5	28.5	△	828986-1	
2-968947-2	A	6	CuFe	△	FLR	max. 3.0	E = 3.6 G = 3.8 D _{Dr} = 1.7	A H = 5.3 K = 5.0 D = 3.6	MQC APPLICATOR 2-878560-2	734440-1	3.5	6.0	7.6	26.8	△	828905 (Ø5.0)	
1-968947-2	A	6	CuSn4	△	FLR	max. 2.1	E = 2.6 G = 2.9 D _{Dr} = 1.2	A H = 5.0 K = 4.8 D = 3.3	MQC APPLICATOR 2-878559-2	734438-1	3.0	5.4	7.0	26.8	△	828904 (Ø5.0)	
1-968947-1	A	6	CuSn4	△	FLR	max. 2.1	E = 2.1 G = 2.1 D _{Dr} = 0.8	A H = 4.7 K = 4.5 D = 3.2	MQC APPLICATOR 2-878558-2	539635-1 MATRIZE : 539737-2	2.5	4.9	6.5	26.8	△	828904 (Ø5.0)	
2-968946-2	A	3	CuFe	△	FLR	2.7 - 3.7	E = 4.5 G = 4.7 D _{Dr} = 2.3	A H = 5.7 K = 5.9 D = 3.3	MQC APPLICATOR 2-541534-2	539635-1 MATRIZE : 539723-2	4.3	6.6	8.5	28.5	△		
2-962843-3	C	1	CuFe	△	FLK	2.4 - 3.7	E = 3.6 G = 3.8 D _{Dr} = 1.7	A H = 5.5 K = 5.7 D = 3.2	MQC APPLICATOR 2-878552-2	734417-3	3.6	5.2	8.9	28.6	△		
2-962842-2	F	1	CuFe	△	FLR	2.1 - 2.9	E = 3.6 G = 3.8 D _{Dr} = 1.7	A H = 4.3 K = 4.5 D = 2.6	MQC APPLICATOR 2-878551-2	734417-2	3.6	5.2	8.2	27.9	△		
2-962841-2	F	1	CuFe	△	FLR	1.4 - 2.1	E = 2.6 G = 2.8 D _{Dr} = 1.1	A H = 3.2 K = 3.4 D = 1.8	MQC APPLICATOR 2-878550-2	734417-1	3.0	4.6	7.0	26.7	△		
2-963860-3	B	2	CuFe	△	FLR	1.3 - 1.6	E = 2.1 G = 2.1 D _{Dr} = 0.8	A H = 2.9 K = 2.9 D = 1.4	MQC APPLICATOR 2-878549-2	734538-1	2.5	3.7	5.8	25.5	△		

THIS DRAWING IS A CONTROLLED DOCUMENT. DATE: 14 JUN 1999. BY: K. Gerlach. CH: M. Bleicher. APPROVED: [Signature]

PRODUCT GROUP DRAWING FOR TAB 2.8x0.8
Produktgruppenzeichnung fuer Flachstecker 2.8x0.8

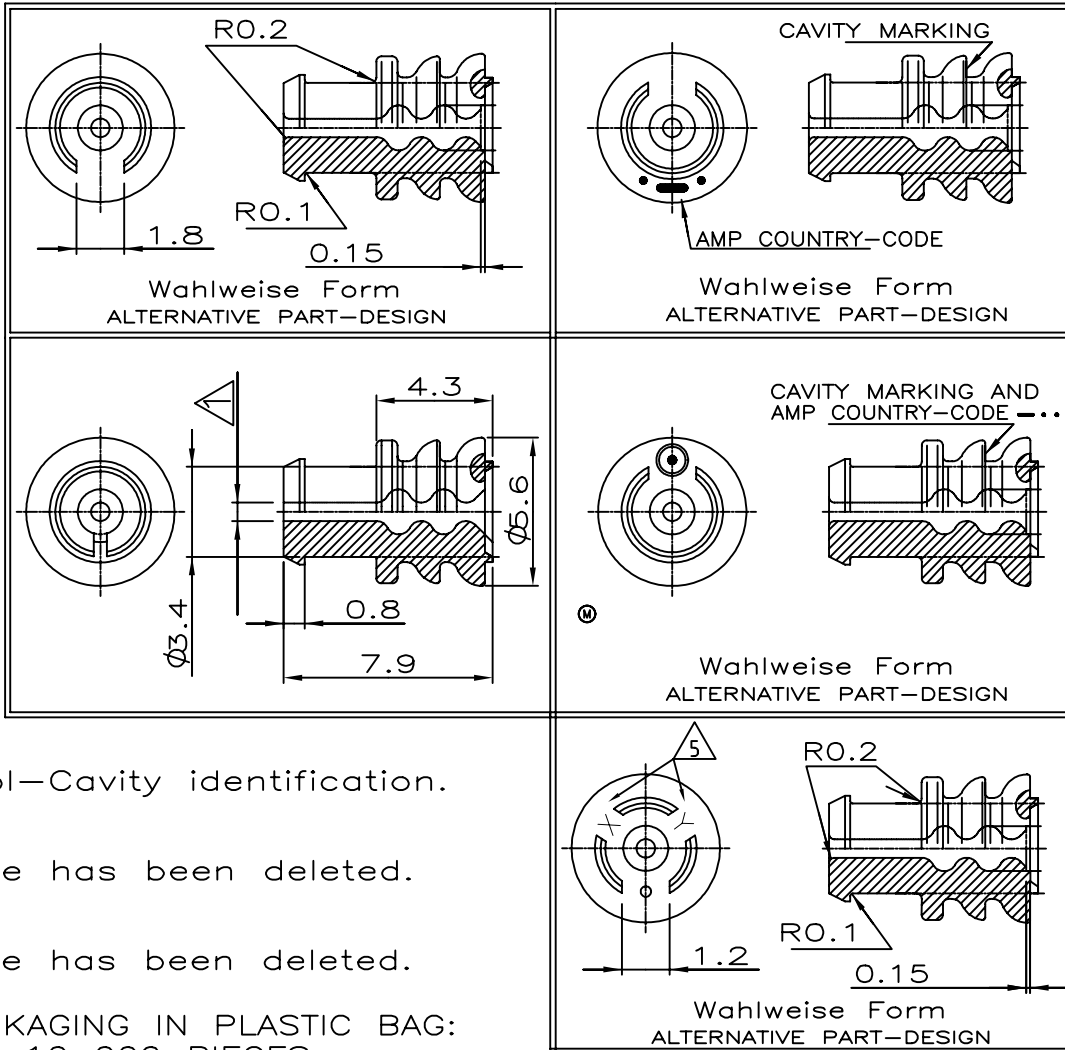
SCALE: 10:1 SHEET 1 OF 1

NUMMER	828904
VERWENDET FÜR	
WAR NR.	87-9398-50

ÄNDERUNGEN, DIE DEM
TECHNISCHEN FORT-
SCHRITT DIENEN, BE-
HALTEN WIR UNS VOR

REVISIONS				
P	LTR	DESCRIPTION	DATE	APVD
	M5	Alternate CAV.ID format added.	11NOV2025	BV GB

M 1:1



- 5 Tool-Cavity identification.
- 4 Note has been deleted.
- 3 Note has been deleted.
- 2 PACKAGING IN PLASTIC BAG:
QTY 10 000 PIECES
- 1 Für Isolationsø 1.2-2.1 mm

TE Connectivity. All Rights Reserved.

828904-3	4	M	SILICON SHORE A 50 ⁺ lubriziert	hellblau
828904-2	3	M		
828904-1	2	M		

CAD-ORIGINAL
ZEICHNUNG NICHT ÄNDERN

Ⓢ	BESTELL-NR.	REV	WERKSTOFF	OBERFLÄCHE FARBE	ZEICHNUNG GÜLTIG AB			
DIMENSIONS: mm			DWN H.Bouda	16 MAY 88	MATERIAL	FINISH		
TOLERANCES UNLESS OTHERWISE SPECIFIED:			CHK W. PFEFFER	17 MAY 88	TE Connectivity			
			APVD -	-				
0 PLC ± - 1 PLC ± 0.3 2 PLC ± - 3 PLC ± - 4 PLC ± - ANGLES ± -			PRODUCT SPEC	NAME Einzeldichtung (DIA 5.6)				
			APPLICATION SPEC	SIZE	CAGE CODE	DRAWING NO	RESTRICTED TO	
			WEIGHT	0,000000	A4	00779	Ⓒ-828904	-
			CUSTOMER DRAWING			SCALE	5:1	SHEET