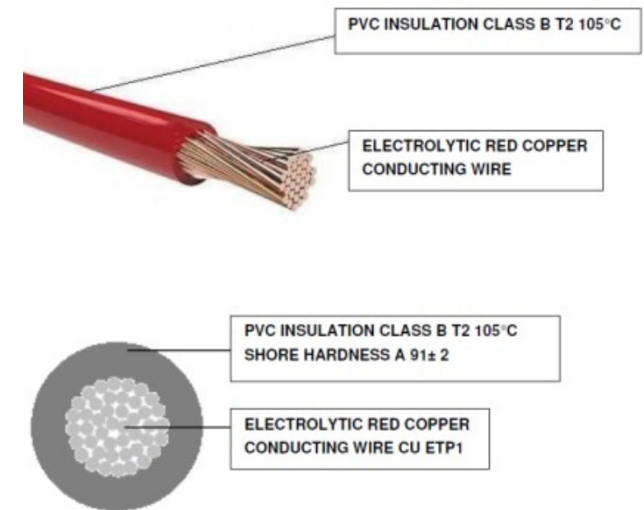


# M 22900-C



Caratteristiche CAVO	
<b>Temperatura d'uso</b>	-40 °C / +105 °C (IDLE STATE)
<b>Sezione</b>	0.50 mmq
<b>Colore</b>	Bianco
<b>Documenti di riferimento</b>	ISO 19642 : 2019 / DIN 72551 ISO 6722 CLASS B / LV 112 / ISO 3795 FIAT 91107 / 18 (where applicable) ROHS II/III UN R118
<b>Lunghezza</b>	20 cm
<b>Tipologia</b>	F3T2



CROSS SECTION	COND. CONSTR.	EXT. DIAMETER.	INSUL. MATERIAL	EL. RES. MAX 20°	MAX VOLT.	INSULATION THICKNESS (+)
1 x 1,00	32 x 0,20 ± 0,01 mm	2,10 +0 mm -0,2 mm	PVC T2 HT 105 °C	18,5 OHM/KM	< 300 V	≥ 0,24

Proseguire nella pagina successiva per visualizzare la scheda tecnica dei componenti

Revisione	Prodotto
REV.00 08/04/2026	OEM

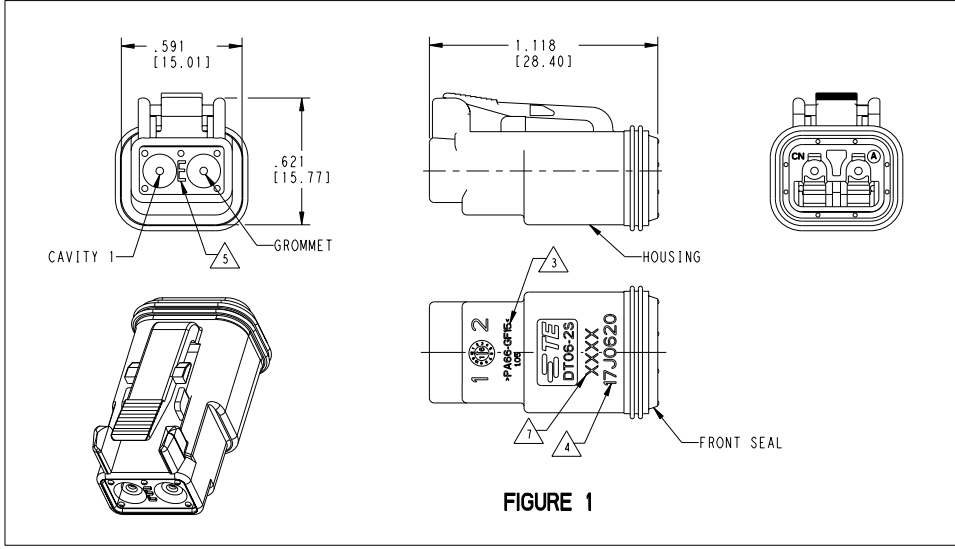


FIGURE 1

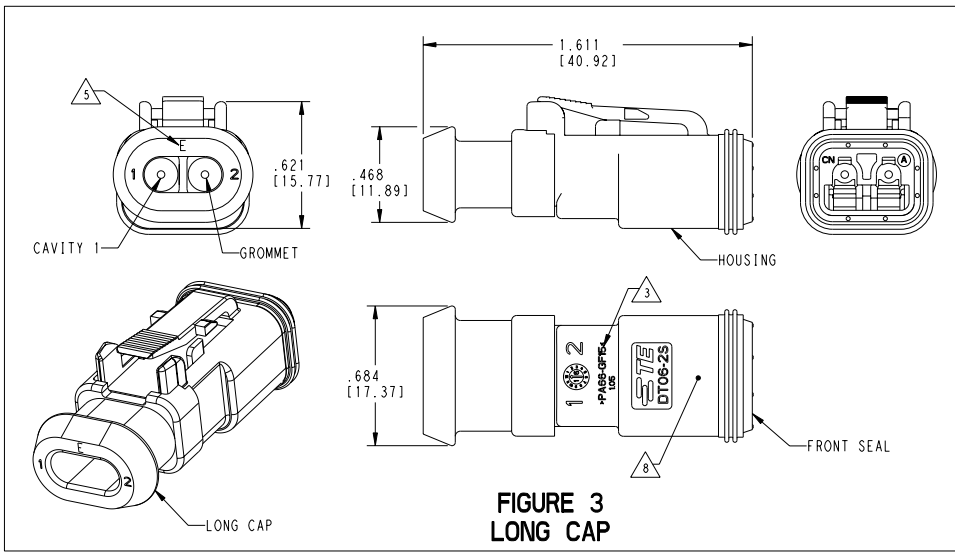


FIGURE 3  
LONG CAP

3. MATERIAL:  
 HOUSING: PA66 GF15, SEE TABLE FOR COLOR  
 SHORT, LONG CAP: PA66 GF15, BLACK  
 GROMMET: E-SEAL VMQ (BURNT RED)  
 N-SEAL VMQ (RED-ORANGE)  
 FRONT SEAL: VMQ (RED-ORANGE),  
 FLUOROSILICONE FRONT SEAL (BLUE)  
 AVAILABLE THROUGH DT06-2S-FP02

2. THIS PLUG MATES WITH DT04-2P-XXXX RECEPTACLE.  
 (XXXX = ALL MODIFICATIONS)

1. SECONDARY WEDGE LOCK SOLD SEPARATELY: W2SX-XXXX.  
 (X = A,B,C,D KEY, XXXX = ALL MODIFICATIONS)  
 W2S OR W2S-P012 MAY BE USED WITH THESE PLUGS.  
 W2S-P012 IS RECOMMENDED.  
 NOTES: UNLESS OTHERWISE SPECIFIED

7. XXXX IDENTIFIES THE MODIFICATION NUMBER,  
 IF APPLICABLE. EXAMPLE: "E003" FOR DT06-2S-E003,  
 OR BLANK FOR DT06-2S.

6. FOR CONTACTS AND WIRE PERFORMANCE AND APPLICATION  
 CHARACTERISTICS SEE CUSTOMER DRAWING 0425-015-0000.

5. "E" IDENTIFIES E-SEAL.

4. DATE CODE: IDENTIFIES THE YEAR, MONTH, DAY AND HOUR OF ASSEMBLY.  
 YEAR: FIRST AND SECOND DIGITS. (17 = 2017)  
 MONTH: THIRD DIGIT, EXCLUDING I. A = JAN, B = FEB,  
 C = MARCH, ... (K = OCTOBER)  
 DAY: FOURTH AND FIFTH DIGITS (14 = 14th DAY)  
 HOUR: SIXTH AND SEVENTH DIGITS (11 = 11AM)

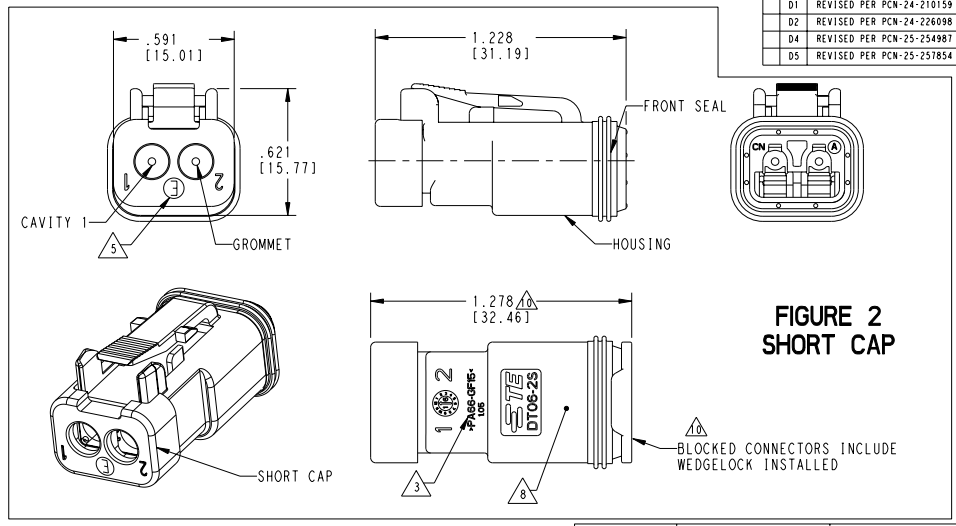


FIGURE 2  
SHORT CAP

CONTACT SIZE	WIRE RANGE	INSULATION OD SEALING RANGE	SEAL IDENTIFICATION
16	14-20 AWG [2.5-0.5mm <sup>2</sup> ]	.088-.145 [2.23-3.68]	STANDARD SEAL
		.053-.120 [1.35-3.05]	EXTRA THIN SEAL E-SEAL

TE INTERNAL PART NUMBER	DEUTSCH PART NUMBER	PN REV	HOUSING COLOR	STANDARD SEAL GROMMET	EXTRA THIN SEAL E-SEAL GROMMET	BLOCKED SEAL	SHORT CAP	LONG CAP	FIGURE
DT06-2S	DT06-2S	A	GREY	X					1
DT06-2S-C015	DT06-2S-C015	F	GREY		X				1
DT06-2S-C017	DT06-2S-C017	B	GREY			X	X		2
DT06-2S-CE01	DT06-2S-CE01	E	GREY		X		X		2
DT06-2S-CE03	DT06-2S-CE03	B	BLACK		X		X		2
DT06-2S-CE04	DT06-2S-CE04	C	GREY		X			X	3
DT06-2S-CE05	DT06-2S-CE05	B	BLACK		X		X		2
DT06-2S-CE06	DT06-2S-CE06	B	BLACK		X				1
DT06-2S-CE13	DT06-2S-CE13	B	BLACK		X			X	3
DT06-2S-E003	DT06-2S-E003	B	GREY	X			X		2
DT06-2S-E004	DT06-2S-E004	A	BLACK	X					1
DT06-2S-E005	DT06-2S-E005	A	BLACK	X			X		2
DT06-2S-E008	DT06-2S-E008	B	GREY	X				X	3
DT06-2S-EP04	DT06-2S-EP04	C	GREY	X			X		2
DT06-2S-EP06	DT06-2S-EP06	B	BLACK	X			X		2
DT06-2S-EP11	DT06-2S-EP11	A	BLACK	X				X	3
DT06-2S-FP02	DT06-2S-FP02	B	BLACK	X			X		2
DT06-2S-P004	DT06-2S-P004	A	GREY	X					1
DT06-2S-P012	DT06-2S-P012	A	BLACK	X					1
1-2448100-1	DT06-2S-TE09	A	BROWN		X				1
1-2448100-2	DT06-2S-TE03	A	GREEN		X				1
1-2448100-3	DT06-2S-TE07	A	BLUE		X				1
2-2448100-1	DT06-2S-TN09	A	BROWN	X					1
2-2448100-2	DT06-2S-TN03	A	GREEN	X					1
2-2448100-3	DT06-2S-TN07	A	BLUE	X					1
3-2448100-1	DT06-2S-EE18	A	BROWN		X		X		2
3-2448100-2	DT06-2S-EE16	A	GREEN		X		X		2
3-2448100-3	DT06-2S-EE17	A	BLUE		X		X		2
4-2448100-1	DT06-2S-EE14	A	BROWN	X			X		2
4-2448100-2	DT06-2S-EE13	A	GREEN	X			X		2
4-2448100-3	DT06-2S-EE06	A	BLUE	X			X		2

11. FOR ALL ID MARKINGS SURROUNDING THE PART, ORIENTATION IS SHOWN FOR REFERENCE ONLY AND DOES NOT AFFECT FUNCTIONALITY PROVIDED THE MARKINGS ARE IN THE CORRECT POSITION. SIZE AND LOCATION ARE APPROXIMATE, AS SHOWN.

10. CONNECTORS WITH A BLOCKED SEAL INCLUDE THE W2S-P012 WEDGE INSTALLED AS PART OF THE PLUG ASSEMBLY.

9. ALTERNATE CONSTRUCTION EXCLUSIVELY FOR PARTS PRODUCED IN CHINA.

8. ADDITIONAL MARKING PER NOTE 4 AND 7 EXCLUSIVELY FOR PARTS WITH CAPS PRODUCED IN CHINA.

REV	DESCRIPTION	DATE	BY	APP'D
D1	REVISED PER PCN-24-210159	20M12024	PS	CB
D2	REVISED PER PCN-24-226098	18NOV2024	PS	CB
D4	REVISED PER PCN-25-254987	08SEP2025	AP	AJ
D5	REVISED PER PCN-25-257854	04NOV2025	RT	EC

THIS DRAWING IS A CONTROLLED DOCUMENT. OWN: J. JAIME C. ARISTO 240C12016  
 CDR: D. MEYER 240C12016  
 NAME: D. MEYER 240C12016  
 PRODUCT SPEC: 108-151009  
 APPLICATION SPEC: 114-151009  
 DATE CODE: 170302

DIMENSIONS: 1.0 [mm]

MATERIAL: 3

FINISH: 3

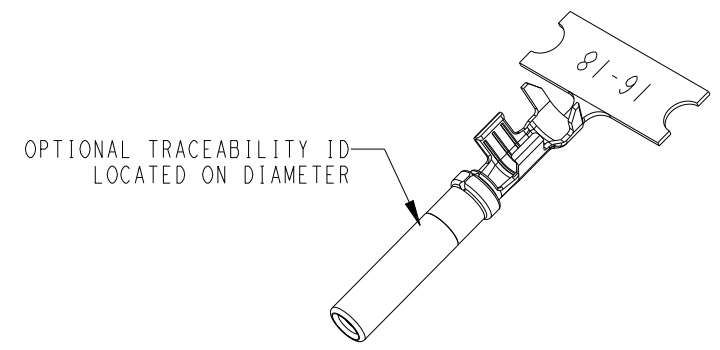
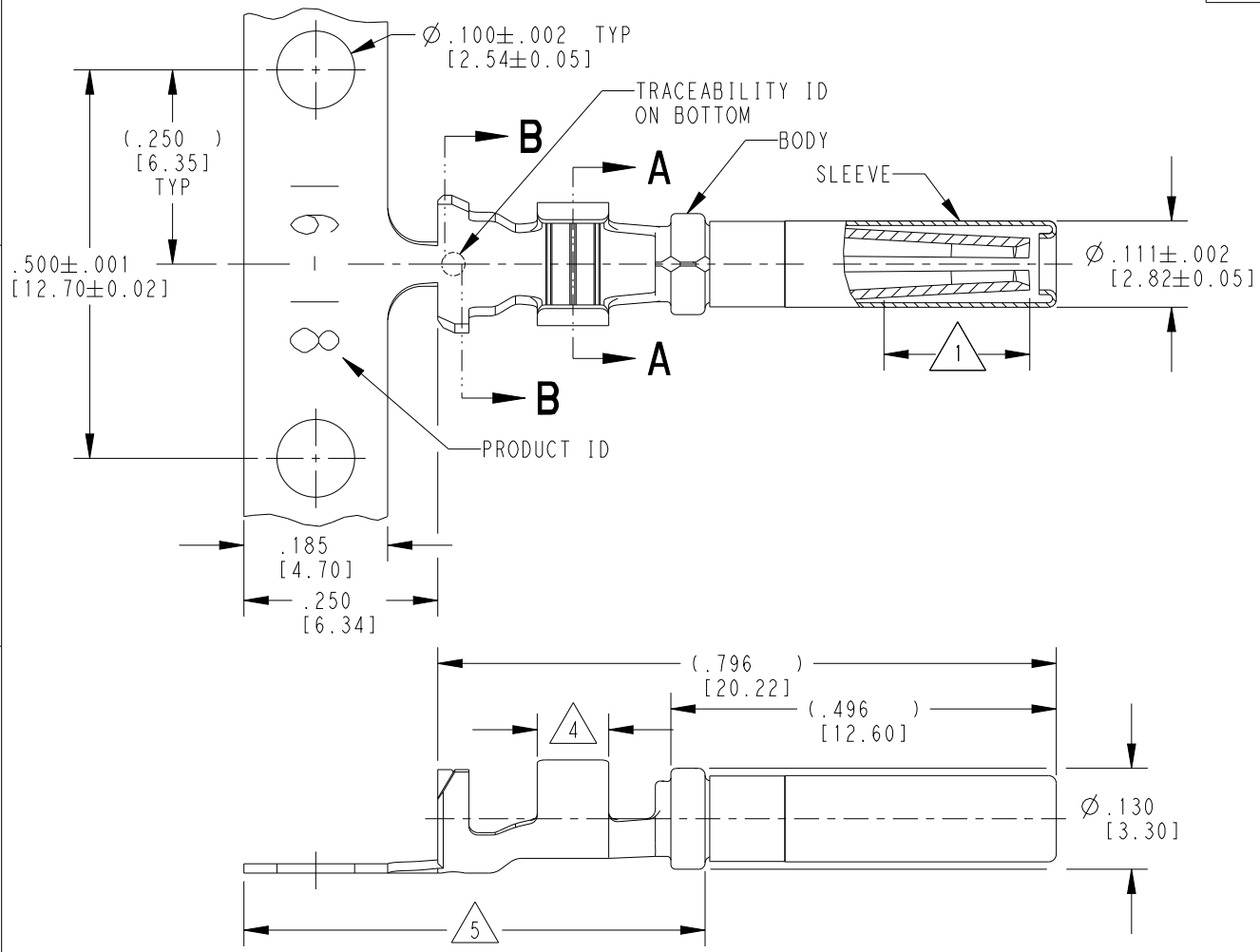
SCALE: 3:1 SHEET: 1 OF 1 REV'D: 5

TE Connectivity  
 2 WAY PLUG, STANDARD SEAL  
 EXTRA THIN SEAL, SHORT CAP AND  
 LONG CAP, DT SERIES

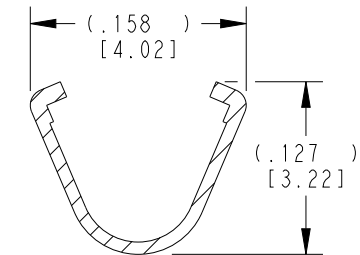
SIZE: A | 44F08 | DT06-2S-XXXX

THIS DRAWING IS UNPUBLISHED. RELEASED FOR PUBLICATION 2015  
 © COPYRIGHT 1999 BY TE CONNECTIVITY ALL RIGHTS RESERVED.

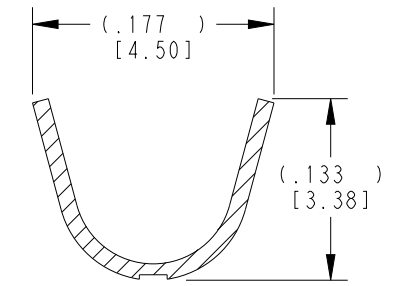
LOC	DIST	REVISIONS			
P	LTR	DESCRIPTION	DATE	DWN	APVD
	K	REVISED PER PCN E-20-008101	12JUN2020	DM	DM
	K1	REVISED PER PCN-22-157823	12OCT2022	SP	DM
	K2	REVISED PER PCN-25-234736	06FEB2025	GB	DM
	L	REVISED PER PCN-25-253652	14AUG2025	RT	DM



OPTIONAL TRACEABILITY ID LOCATED ON DIAMETER



**SECTION A-A**  
WIRE BARREL



**SECTION B-B**  
INSULATION BARREL

5 TIN PLATING MAY BE IN THIS REGION.

4 TIN PLATED REGION.

3 MATERIAL:  
 BODY: .012 [0.30] THICK COPPER ALLOY  
 SLEEVE: STAINLESS STEEL

2. WIRE RANGE: 18 AWG TO 14 AWG [0.75-2.0 mm<sup>2</sup>]  
 INSULATION RANGE: Ø.075-.140 [Ø1.91-3.56]

1 GOLD PLATED REGION.

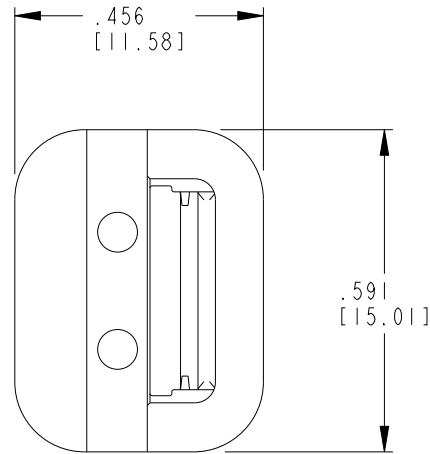
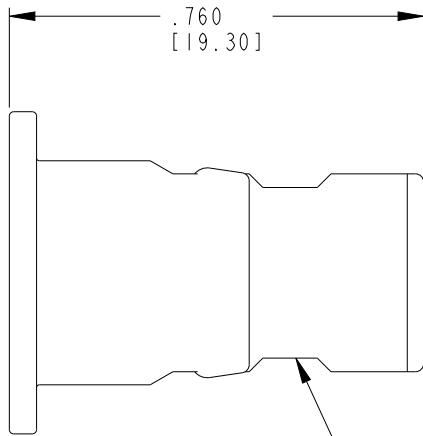
NOTES: UNLESS OTHERWISE SPECIFIED

TE INTERNAL PN	DEUTSCH PN	REV	PLATING
1062-16-0122	1062-16-0122	L	Ni/Cu overall, Sn/Ni/Cu Wire Barrel
1062-16-0144	1062-16-0144	M	Selective Au, Ni overall, Sn/Ni Wire Barrel
1062-16-0177	1062-16-0177	L	Sn/Ni/Cu overall

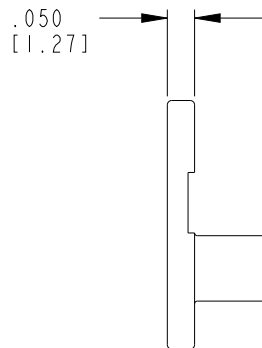
THIS DRAWING IS A CONTROLLED DOCUMENT.


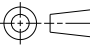
DWN M. BLUM	03NOV1999	<b>STE</b> TE Connectivity
CHK A. ROLINSKI	08DEC2000	
APVD R. REED	08DEC2000	
PRODUCT SPEC 108-151000	NAME SOCKET, STAMPED CONTACT SIZE 16 14-18 AWG, .075-.140 INS	
DIMENSIONS: INCHES [mm]	TOLERANCES UNLESS OTHERWISE SPECIFIED: 0 PLC ± 1 PLC ± 2 PLC ± 3 PLC ±.025 [0.64] 4 PLC ± ANGLES ±	SIZE A3
MATERIAL 3	FINISH SEE TABLE	CAGE CODE 4AFU8
		DRAWING NO C=1062-16-01XX
		RESTRICTED TO -
		WEIGHT 0.43 g
		Customer Drawing
		SCALE 6:1
		SHEET 1 OF 1
		REV L

REVISIONS					
P	LTR	DESCRIPTION	DATE	DWN	APVD
	E	REVISED PER PCN-23-190134	29SEP2023	GB	CB



CUTOUT FEATURE OPTIONAL 2PL



THIS DRAWING IS A CONTROLLED DOCUMENT.		DWN DE KAY 040CT1989	 TE Connectivity					
DIMENSIONS: INCHES [mm]		CHK -				NAME WEDGE LOCK FOR 2 CONTACT PLUG DT SERIES		
		APVD -	PRODUCT SPEC 108-151009 APPLICATION SPEC 114-151009					
		TOLERANCES UNLESS OTHERWISE SPECIFIED:				SIZE A3	CAGE CODE 00779	DRAWING NO G=W2S
MATERIAL PBT GF30 ORANGE		0 PLC ± 1 PLC ± 2 PLC ± 3 PLC ±.025 [0.64] 4 PLC ± ANGLES ±	FINISH -	CUSTOMER DRAWING; RESTRICTED CUSTOMER		SCALE 3:1	SHEET 1 OF 1	REV E

1. W2S WEDGE USED WITH DT06-2S-XXXX PLUG.  
(XXXX = ALL MODIFICATIONS)