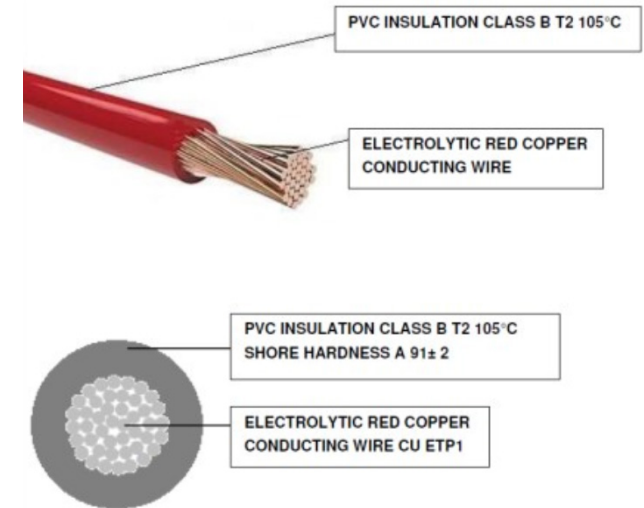


# M 22901-C



Caratteristiche CAVO	
<b>Temperatura d'uso</b>	-40 °C / +105 °C (IDLE STATE)
<b>Sezione</b>	0.50 mmq
<b>Colore</b>	Bianco
<b>Documenti di riferimento</b>	ISO 19642 : 2019 / DIN 72551 ISO 6722 CLASS B / LV 112 / ISO 3795 FIAT 91107 / 18 (where applicable) ROHS II/III UN R118
<b>Lunghezza</b>	20 cm
<b>Tipologia</b>	F3T2



CROSS SECTION	COND. CONSTR.	EXT. DIAMETER.	INSUL. MATERIAL	EL. RES. MAX 20°	MAX VOLT.	INSULATION THICKNESS (+)
1 x 1,00	32 x 0,20 ± 0,01 mm	2,10 +0 mm -0,2 mm	PVC T2 HT 105 °C	18,5 OHM/KM	< 300 V	≥ 0,24

Proseguire nella pagina successiva per visualizzare la scheda tecnica dei componenti

Revisione	Prodotto
REV.00 08/04/2026	OEM

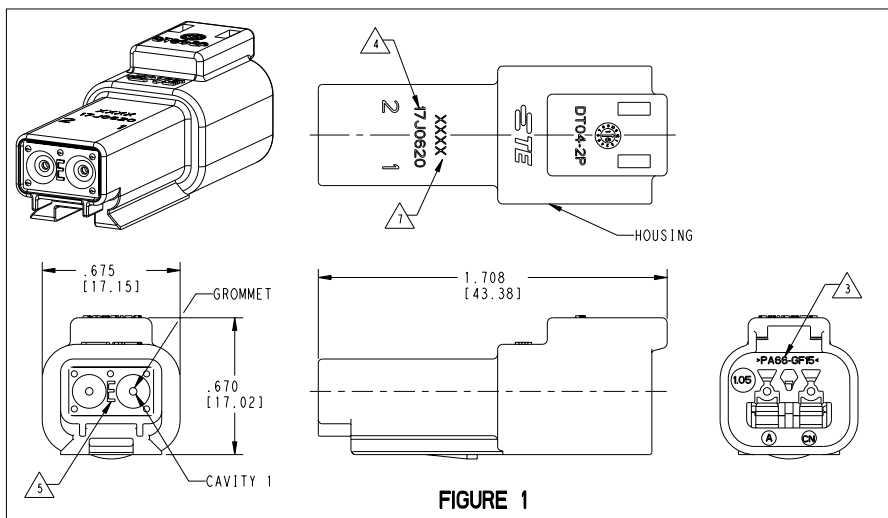


FIGURE 1

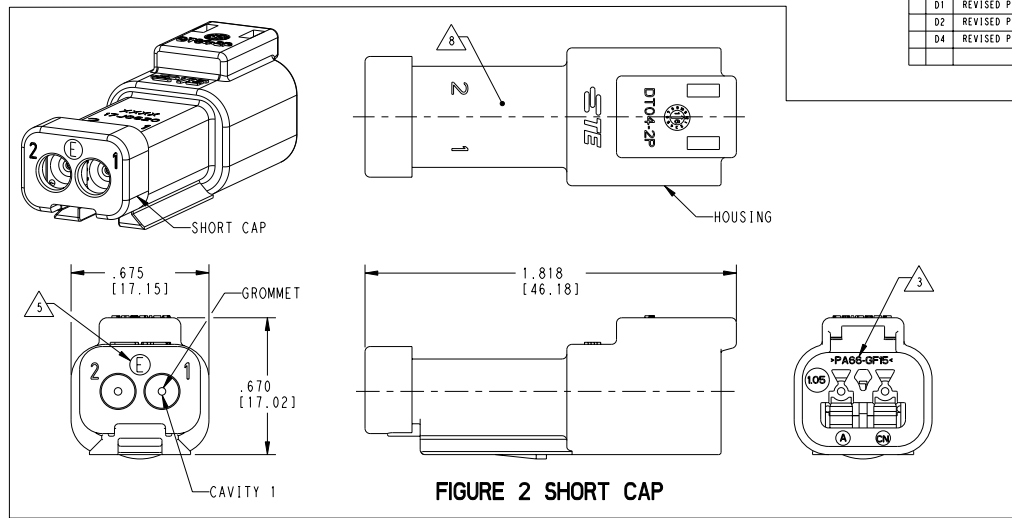


FIGURE 2 SHORT CAP

REVISIONS				
REV	DESCRIPTION	DATE	BY	APP'D
D1	REVISED PER PCN-24-210159	21MAY2024	PS	CB
D2	REVISED PER PCN-24-220917	17SEP2024	PS	CB
D4	REVISED PER PCN-25-254987	08SEP2025	AP	AJ

CONTACT SIZE	WIRE RANGE	INSULATION OD SEALING RANGE	SEAL IDENTIFICATION
16	14-20 AWG [2.5-0.5mm <sup>2</sup> ]	.088-.145 [2.23-3.68]	STANDARD SEAL
		.053-.120 [1.35-3.05]	EXTRA THIN SEAL E-SEAL

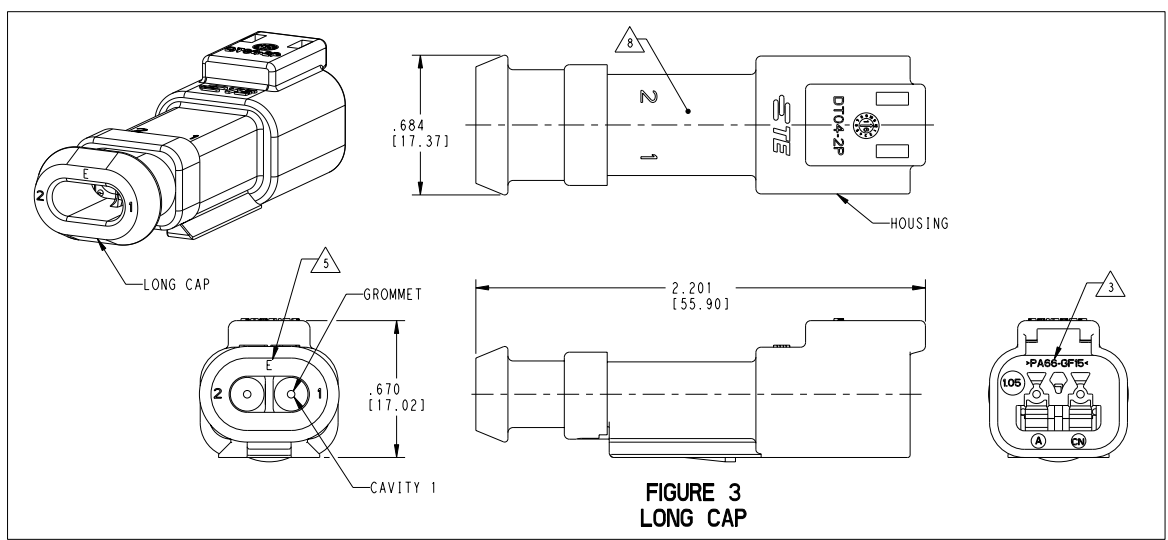


FIGURE 3 LONG CAP

TE INTERNAL PART NUMBER	DEUTSCH PART NUMBER	PN REV	HOUSING COLOR	STANDARD SEAL GROMMET	EXTRA THIN SEAL E-SEAL GROMMET	BLOCKED SEAL	SHORT CAP	LONG CAP	FIGURE
DT04-2P	DT04-2P	A	GREY	X					1
DT04-2P-C015	DT04-2P-C015	B	GREY		X				1
DT04-2P-C017	DT04-2P-C017	B	GREY			X	X		2
DT04-2P-CE01	DT04-2P-CE01	C	GREY		X		X		2
DT04-2P-CE04	DT04-2P-CE04	D	GREY		X			X	3
DT04-2P-E003	DT04-2P-E003	B	GREY	X			X		2
DT04-2P-E008	DT04-2P-E008	B	GREY	X				X	3
DT04-2P-EP04	DT04-2P-EP04	C	GREY	X			X		2
DT04-2P-P004	DT04-2P-P004	B	GREY	X					1
DT04-2P-CE02	DT04-2P-CE02	B	BLACK	X					1
DT04-2P-CE03	DT04-2P-CE03	B	BLACK		X		X		2
DT04-2P-CE09	DT04-2P-CE09	B	BLACK		X			X	3
DT04-2P-E004	DT04-2P-E004	A	BLACK	X					1
DT04-2P-E005	DT04-2P-E005	A	BLACK	X			X		2
DT04-2P-EE01	DT04-2P-EE01	A	BLACK	X				X	3
1-2448108-1	DT04-2P-TE09	A	BROWN		X				1
1-2448108-2	DT04-2P-TE03	A	GREEN		X				1
1-2448108-3	DT04-2P-TE07	A	BLUE		X				1
2-2448108-1	DT04-2P-TN09	A	BROWN	X					1
2-2448108-2	DT04-2P-TN03	A	GREEN	X					1
2-2448108-3	DT04-2P-TN07	A	BLUE	X					1
3-2448108-1	DT04-2P-EE18	A	BROWN		X		X		2
3-2448108-2	DT04-2P-EE16	A	GREEN		X		X		2
3-2448108-3	DT04-2P-EE17	A	BLUE		X		X		2
4-2448108-1	DT04-2P-EE14	A	BROWN	X				X	2
4-2448108-2	DT04-2P-EE13	A	GREEN	X				X	2
4-2448108-3	DT04-2P-EE06	A	BLUE	X				X	2

- △ DATE CODE: IDENTIFIES THE YEAR, MONTH, DAY AND HOUR OF ASSEMBLY.  
 YEAR: FIRST AND SECOND DIGITS: (17 = 2017)  
 MONTH: THIRD DIGIT, EXCLUDING 1, A = JAN, B = FEB, C = MARCH ... K = OCTOBER  
 DAY: FOURTH AND FIFTH DIGITS (14 = 14th DAY)  
 HOUR: SIXTH AND SEVENTH DIGITS (11 = 11AM)
- △ MATERIAL: HOUSING, PA66 GF15, SEE TABLE FOR COLOR SHORT; LONG CAP: PA66 GF15, BLACK GROMMET: E-SEAL VMO (BURNT RED) N-SEAL VMO (RED-ORANGE) BLOCKED VMO (RED-ORANGE)
- 2. THIS RECEPTACLE MATES WITH DT06-2S-XXXX PLUG. (XXXX = ALL MODIFICATIONS)
- 1. SECONDARY WEDGE LOCK SOLD SEPARATELY: W2PX-XXXX. (X = A,B,C,D KEY, XXXX = ALL MODIFICATIONS)
- 9. FOR ALL ID MARKINGS SURROUNDING THE PART, ORIENTATION IS SHOWN FOR REFERENCE ONLY AND DOES NOT AFFECT FUNCTIONALITY, PROVIDED THE MARKINGS ARE IN THE CORRECT POSITION. SIZE AND LOCATION ARE APPROXIMATE, AS SHOWN.
- △ ADDITIONAL MARKING PER NOTE 4 AND 7 EXCLUSIVELY FOR PARTS WITH CAPS PRODUCED IN CHINA.
- △ XXXX IDENTIFIES THE MODIFICATION NUMBER, IF APPLICABLE. EXAMPLE: "E003" FOR DT04-2P-E003, OR BLANK FOR DT04-2P.
- 6. FOR CONTACTS AND WIRE PERFORMANCE AND APPLICATION CHARACTERISTICS SEE CUSTOMER DRAWING 0425-015-0000.
- △ "E" IDENTIFIES E-SEAL.

NOTES: UNLESS OTHERWISE SPECIFIED

THIS DRAWING IS A CONTROLLED DOCUMENT. OWN: 15 JUN 2016  
 C: JAIME C. AROSTO  
 D: MEYER  
 15 JUN 2016

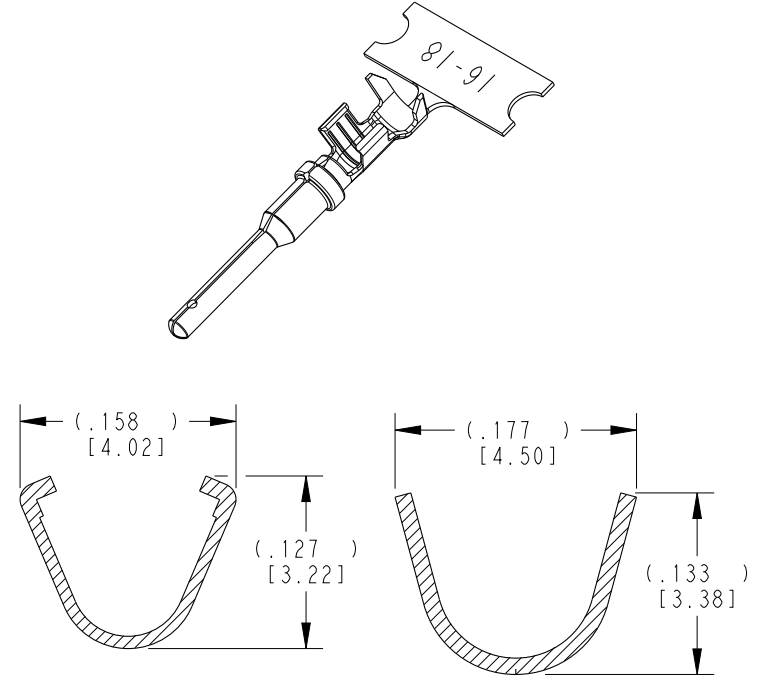
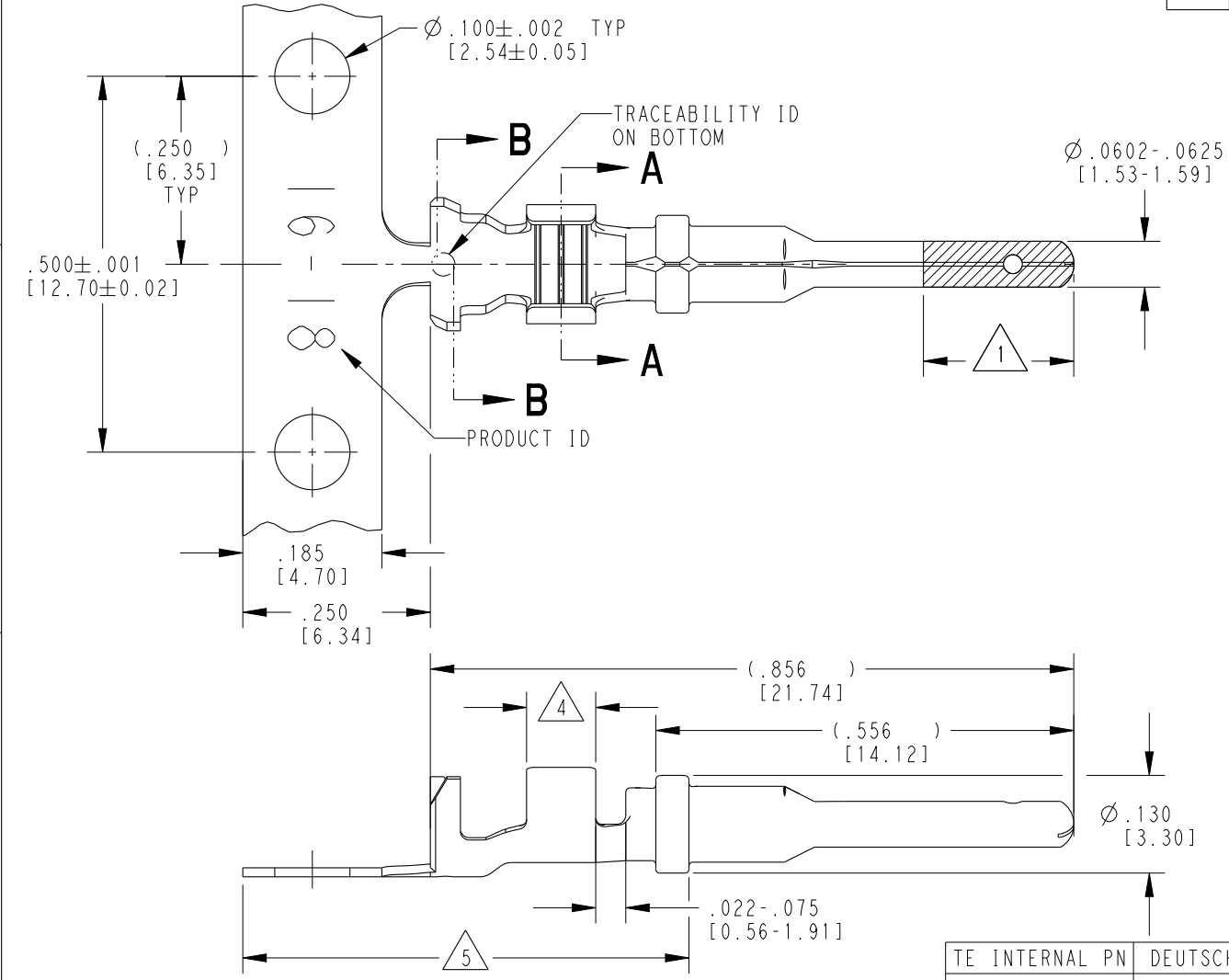
DIMENSIONS: i.o. (mm)  
 DIMENSIONS UNLESS OTHERWISE SPECIFIED:  
 1.0 (0.039) 2.0 (0.079) 3.0 (0.098) 4.0 (0.125) 5.0 (0.157) 6.0 (0.236) 8.0 (0.315) 10.0 (0.394) 12.0 (0.472) 15.0 (0.591) 20.0 (0.787) 25.0 (1.0) 30.0 (1.181) 40.0 (1.575) 50.0 (1.969) 60.0 (2.362) 80.0 (3.150) 100.0 (3.937)

MATERIAL: 3  
 FINISH: 4  
 WEIGHT: 114-151009  
 CUSTOMER DRAWING: 44F08  
 SCALE: 3:1  
 SHEET: 1 OF 1  
 REV'D: 4

TE Connectivity  
 2 WAY RECEPTACLE, STANDARD SEAL EXTRA THIN SEAL, SHORT CAP AND LONG CAP, DT SERIES

THIS DRAWING IS UNPUBLISHED. RELEASED FOR PUBLICATION 2020  
 © COPYRIGHT 2020 BY TE CONNECTIVITY ALL RIGHTS RESERVED.

P	LTR	DESCRIPTION	DATE	DWN	APVD
K		REVISED PER PCN E-20-008101	12JUN2020	DM	DM
L		REVISED PER PCN-21-121539	08DEC2021	MK	DM
L1		REVISED PER PCN-21-121539	04FEB2022	MK	DM
L2		REVISED PER PCN-25-234384	30JAN2025	RK	CB



- 5 TIN PLATING MAY BE IN THIS REGION.
- 4 TIN PLATED REGION.
- 3 MATERIAL: .012 [0.30] THICK COPPER ALLOY
- 2. WIRE RANGE: 18 AWG TO 14 AWG [0.75-2.0 mm<sup>2</sup>]  
INSULATION RANGE: Ø .075-.140 [Ø 1.91-3.56]
- 1 GOLD PLATED REGION.

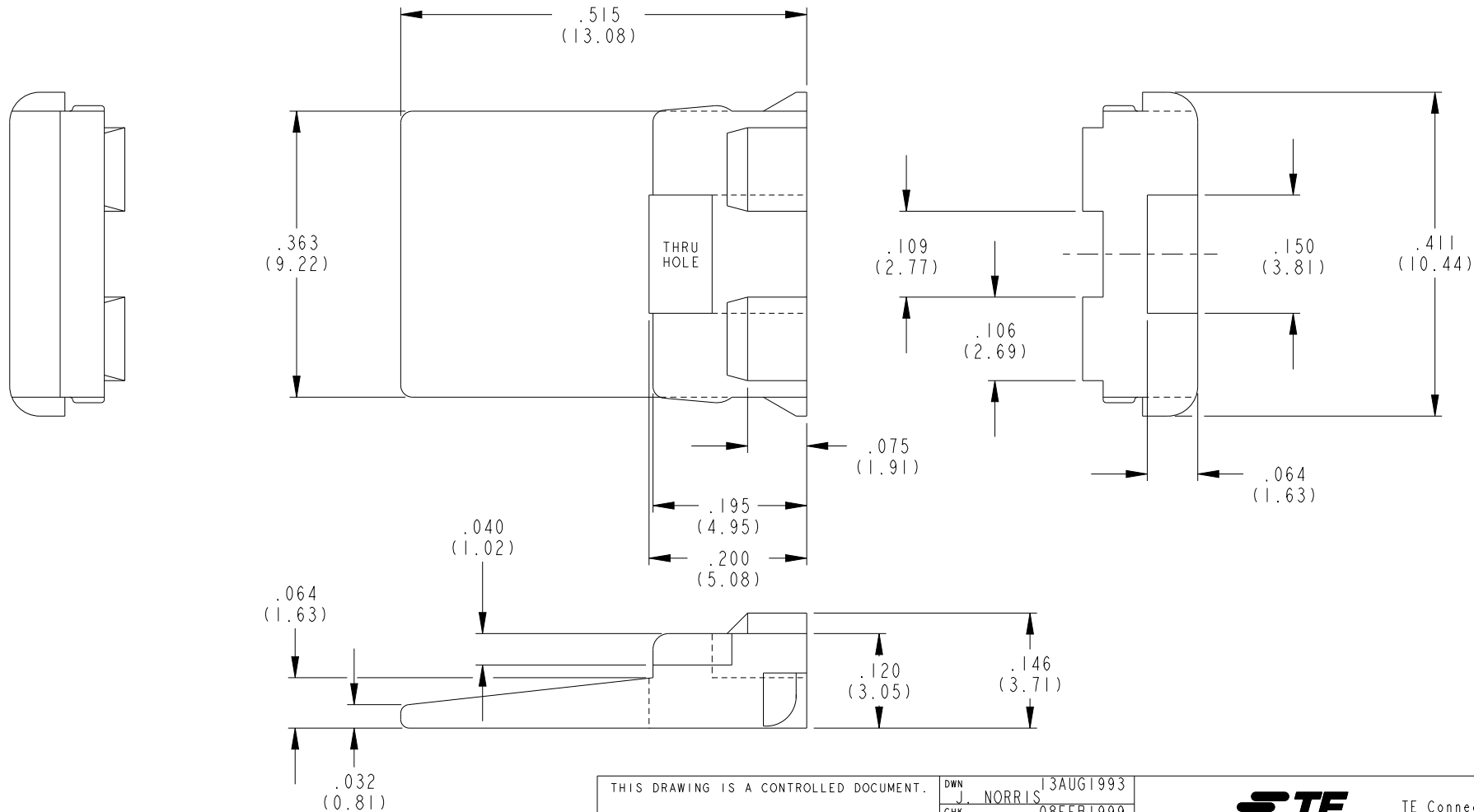
NOTES: UNLESS OTHERWISE SPECIFIED

TE INTERNAL PN	DEUTSCH PN	REV	PLATING
1060-16-0122	1060-16-0122	S	Ni/Cu overall, Sn/Ni/Cu Wire Barrel
1060-16-0144	1060-16-0144	S	Selective Au, Ni/Cu overall, Sn/Ni/Cu Wire Barrel
1060-16-0177	1060-16-0177	S	Sn/Ni/Cu overall


THIS DRAWING IS A CONTROLLED DOCUMENT.

DIMENSIONS: INCHES [mm]	TOLERANCES UNLESS OTHERWISE SPECIFIED: 0 PLC ± 1 PLC ± 2 PLC ± 3 PLC ±.025 [0.64] 4 PLC ± ANGLES ±	DWN M. BLUM 04NOV1999 CHK A. ROLINSKI 08DEC2000 APVD R. REED 08DEC2000 PRODUCT SPEC 108-151000 APPLICATION SPEC 114-151000 WEIGHT 0.33 g	TE Connectivity NAME PIN, STAMPED CONTACT SIZE 16 14-18 AWG, .075-.140 INS		RESTRICTED TO
MATERIAL 3	FINISH SEE TABLE	Customer Drawing	SCALE 6:1	SHEET 1 OF 1	REV L2

REVISIONS					
P	LTR	DESCRIPTION	DATE	DWN	APVD
	H	REVISED PER PCN-23-190134	29SEP2023	GB	CB



1. MATES WITH DT04-2P-XXXX.  
(XXXX = ALL MODIFICATIONS)

THIS DRAWING IS A CONTROLLED DOCUMENT.		DWN J. NORRIS	13AUG1993	 TE Connectivity	
DIMENSIONS: IN [mm]		CHK -	08FEB1999		
TOLERANCES UNLESS OTHERWISE SPECIFIED:		APVD R. REED	15FEB1999	NAME WEDGE LOCK FOR 2 PIN RECT. HOUSING DT SERIES	
0 PLC ± 1 PLC ± 2 PLC ± 3 PLC ±.025 [0.64] 4 PLC ± ANGLES ±		PRODUCT SPEC 108-151009	APPLICATION SPEC 114-151009	SIZE A3	CAGE CODE 00779
MATERIAL PBT GF30 GREEN	FINISH -	WEIGHT -	DRAWING NO G=W2P	RESTRICTED TO -	
CUSTOMER DRAWING; RESTRICTED CUSTOMER				SCALE 1:1	SHEET OF REV H