

M 22901-K



MINIKIT

Proseguire nella pagina successiva per visualizzare la scheda tecnica dei componenti

Revisione	Prodotto
REV.00 08/04/2026	OEM

LOC	DIST	REVISIONS			
P	LYR	DESCRIPTION	DATE	OWN	APVD
D1		REVISED PER PCN-24-210159	21MAY2024	PS	CB
D2		REVISED PER PCN-24-220917	17SEP2024	PS	CB
D4		REVISED PER PCN-25-254987	08SEP2025	AP	AJ

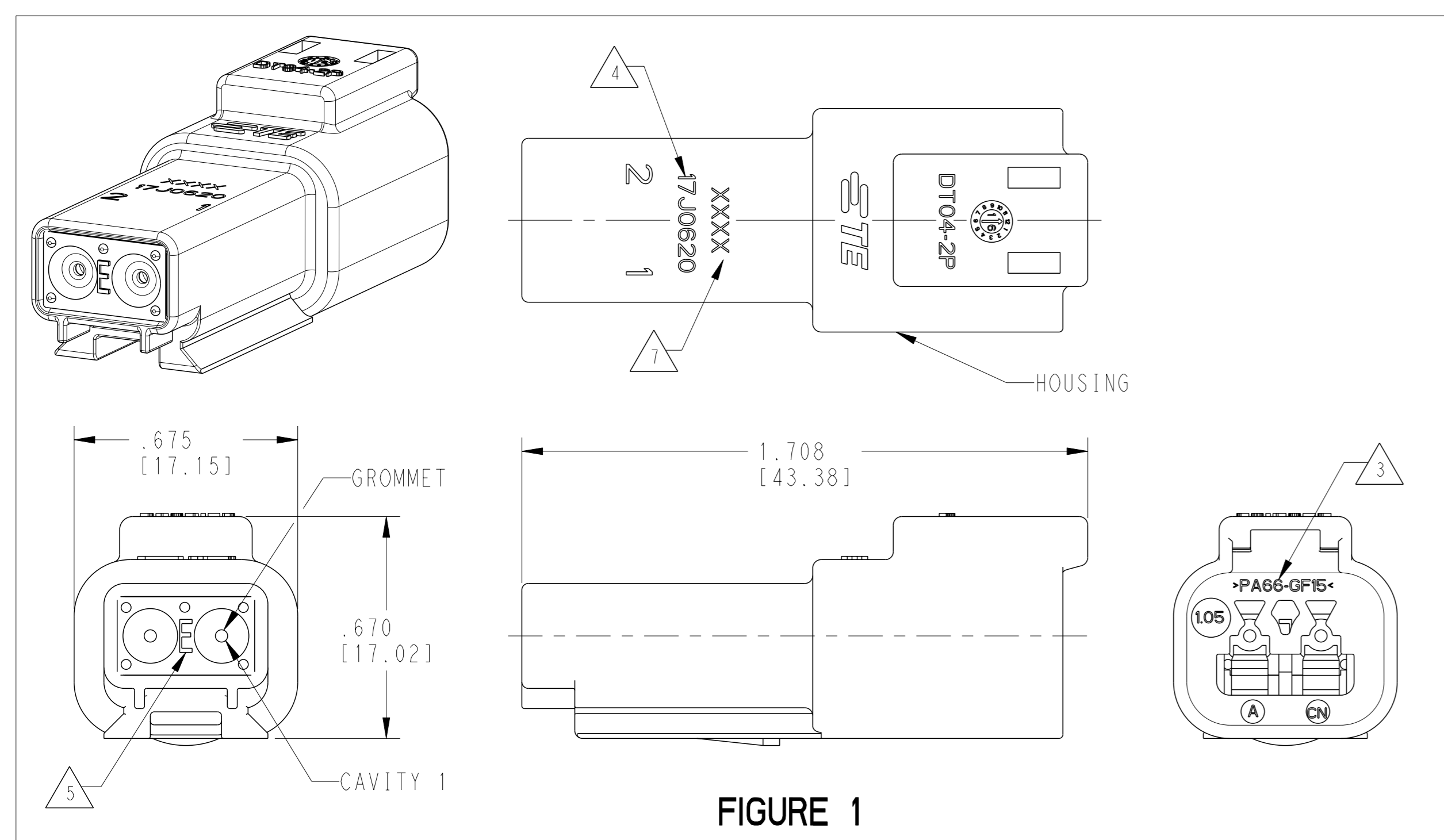


FIGURE 1

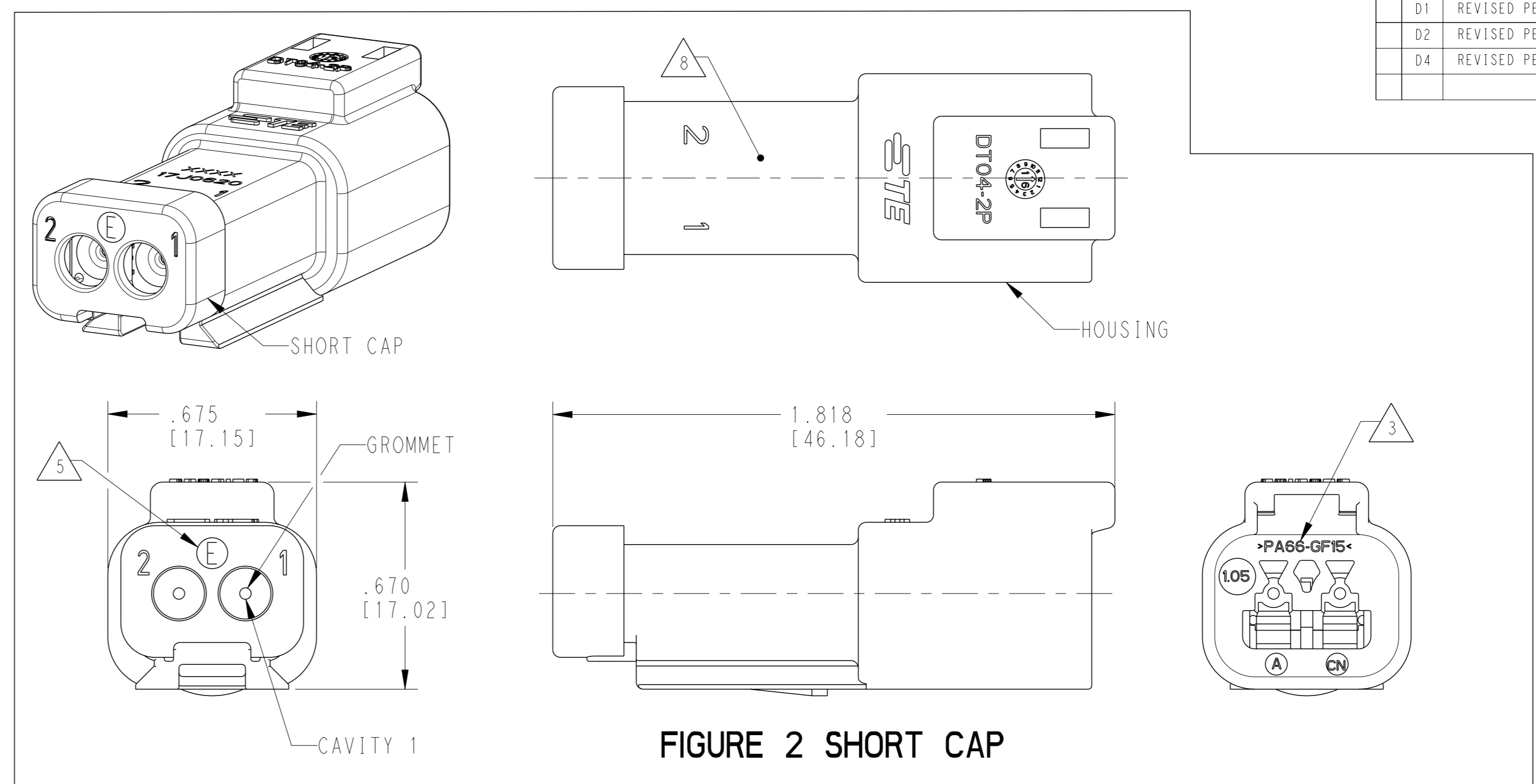


FIGURE 2 SHORT CAP

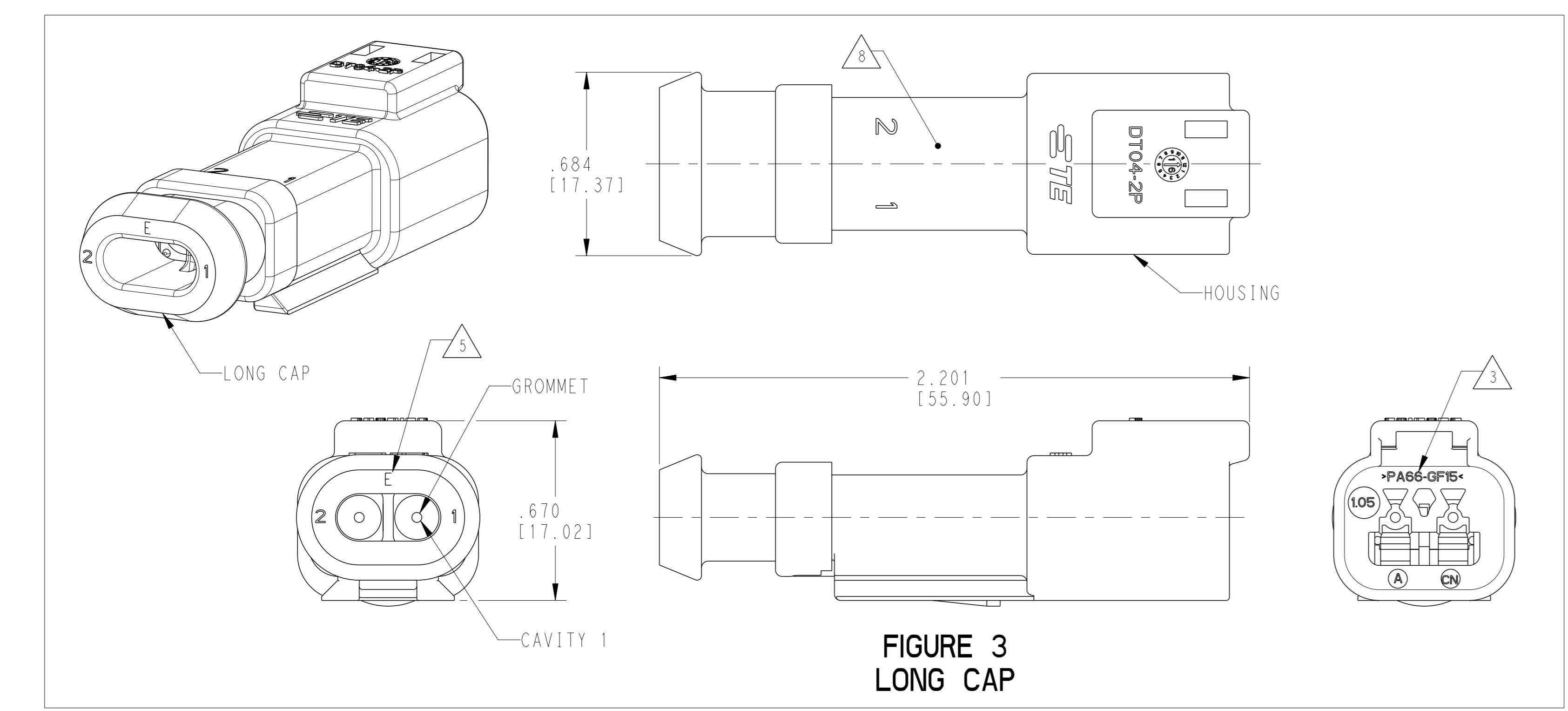


FIGURE 3 LONG CAP

CONTACT SIZE	WIRE RANGE	INSULATION OD SEALING RANGE	SEAL IDENTIFICATION
16	14-20 AWG [2.5-0.5mm ²]	.088- .145 [2.23-3.68]	STANDARD SEAL
		.053- .120 [1.35-3.05]	EXTRA THIN SEAL E-SEAL

TE INTERNAL PART NUMBER	DEUTSCH PART NUMBER	PN REV	HOUSING COLOR	STANDARD SEAL GROMMET	EXTRA THIN SEAL E-SEAL GROMMET	BLOCKED SEAL	SHORT CAP	LONG CAP	FIGURE
DT04-2P	DT04-2P	A	GREY	X					1
DT04-2P-C015	DT04-2P-C015	B	GREY		X				1
DT04-2P-C017	DT04-2P-C017	B	GREY			X	X		2
DT04-2P-CE01	DT04-2P-CE01	C	GREY		X		X		2
DT04-2P-CE04	DT04-2P-CE04	D	GREY		X			X	3
DT04-2P-E003	DT04-2P-E003	B	GREY	X			X		2
DT04-2P-E008	DT04-2P-E008	B	GREY	X				X	3
DT04-2P-EP04	DT04-2P-EP04	C	GREY	X			X		2
DT04-2P-P004	DT04-2P-P004	B	GREY	X					1
DT04-2P-CE02	DT04-2P-CE02	B	BLACK		X				1
DT04-2P-CE03	DT04-2P-CE03	B	BLACK		X		X		2
DT04-2P-CE09	DT04-2P-CE09	B	BLACK		X			X	3
DT04-2P-E004	DT04-2P-E004	A	BLACK	X					1
DT04-2P-E005	DT04-2P-E005	A	BLACK	X			X		2
DT04-2P-EE01	DT04-2P-EE01	A	BLACK	X				X	3
1-2448108-1	DT04-2P-TE09	A	BROWN		X				1
1-2448108-2	DT04-2P-TE03	A	GREEN		X				1
1-2448108-3	DT04-2P-TE07	A	BLUE		X				1
2-2448108-1	DT04-2P-TN09	A	BROWN	X					1
2-2448108-2	DT04-2P-TN03	A	GREEN	X					1
2-2448108-3	DT04-2P-TN07	A	BLUE	X					1
3-2448108-1	DT04-2P-EE18	A	BROWN		X		X		2
3-2448108-2	DT04-2P-EE16	A	GREEN		X		X		2
3-2448108-3	DT04-2P-EE17	A	BLUE		X		X		2
4-2448108-1	DT04-2P-EE14	A	BROWN	X			X		2
4-2448108-2	DT04-2P-EE13	A	GREEN	X			X		2
4-2448108-3	DT04-2P-EE06	A	BLUE	X			X		2

- 4. DATE CODE: IDENTIFIES THE YEAR, MONTH, DAY AND HOUR OF ASSEMBLY.
YEAR: FIRST AND SECOND DIGITS. (17 = 2017)
MONTH: THIRD DIGIT, EXCLUDING I. A = JAN, B = FEB, C = MARCH ... (K = OCTOBER)
DAY: FOURTH AND FIFTH DIGITS (14 = 14th DAY)
HOUR: SIXTH AND SEVENTH DIGITS (11 = 11AM)
- 3. MATERIAL: HOUSING, PA66 GF15, SEE TABLE FOR COLOR
SHORT, LONG CAP: PA66 GF15, BLACK
GROMMET: E-SEAL VMO (BURNT RED)
N-SEAL VMO (RED-ORANGE)
BLOCKED VMO (RED-ORANGE)
- 2. THIS RECEPTACLE MATES WITH DT06-2S-XXXX PLUG.
(XXXX = ALL MODIFICATIONS)
- 1. SECONDARY WEDGE LOCK SOLD SEPARATELY: W2PX-XXXX.
(X = A,B,C,D KEY, XXXX = ALL MODIFICATIONS)
- 9. FOR ALL ID MARKINGS SURROUNDING THE PART, ORIENTATION IS SHOWN FOR REFERENCE ONLY AND DOES NOT AFFECT FUNCTIONALITY, PROVIDED THE MARKINGS ARE IN THE CORRECT POSITION. SIZE AND LOCATION ARE APPROXIMATE, AS SHOWN.
- 8. ADDITIONAL MARKING PER NOTE 4 AND 7 EXCLUSIVELY FOR PARTS WITH CAPS PRODUCED IN CHINA.
- 7. XXXX IDENTIFIES THE MODIFICATION NUMBER, IF APPLICABLE. EXAMPLE: "E003" FOR DT04-2P-E003, OR BLANK FOR DT04-2P.
- 6. FOR CONTACTS AND WIRE PERFORMANCE AND APPLICATION CHARACTERISTICS SEE CUSTOMER DRAWING 0425-015-0000.
- 5. "E" IDENTIFIES E-SEAL.

NOTES: UNLESS OTHERWISE SPECIFIED

THIS DRAWING IS A CONTROLLED DOCUMENT. OWN: JAIME C. APOSTOL 16 JUN 2016
CHK: D. MEYER 16 JUN 2016
APVD: D. MEYER 16 JUN 2016

DIMENSIONS: i.n. [mm]

TOLERANCES UNLESS OTHERWISE SPECIFIED:
0 PLC ±
1 PLC ±
2 PLC ±
3 PLC ±.025 (0.641)
4 PLC ±
ANGLES 40° 30' 0"

MATERIAL: PA66 GF15

FINISH: 3

TE Connectivity

NAME: 2 WAY RECEPTACLE, STANDARD SEAL EXTRA THIN SEAL, SHORT CAP AND LONG CAP, DT SERIES

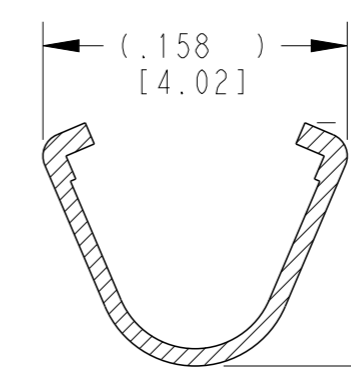
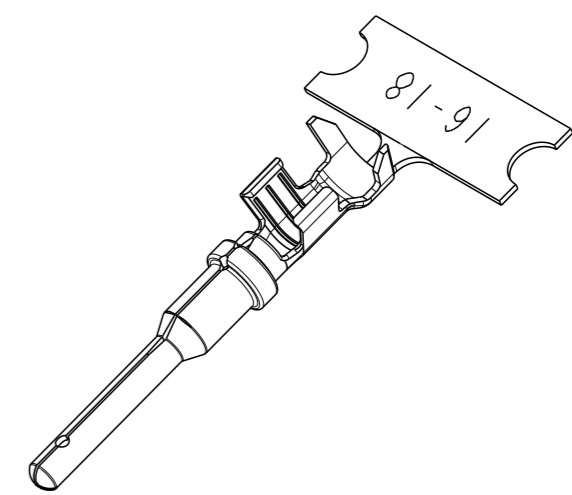
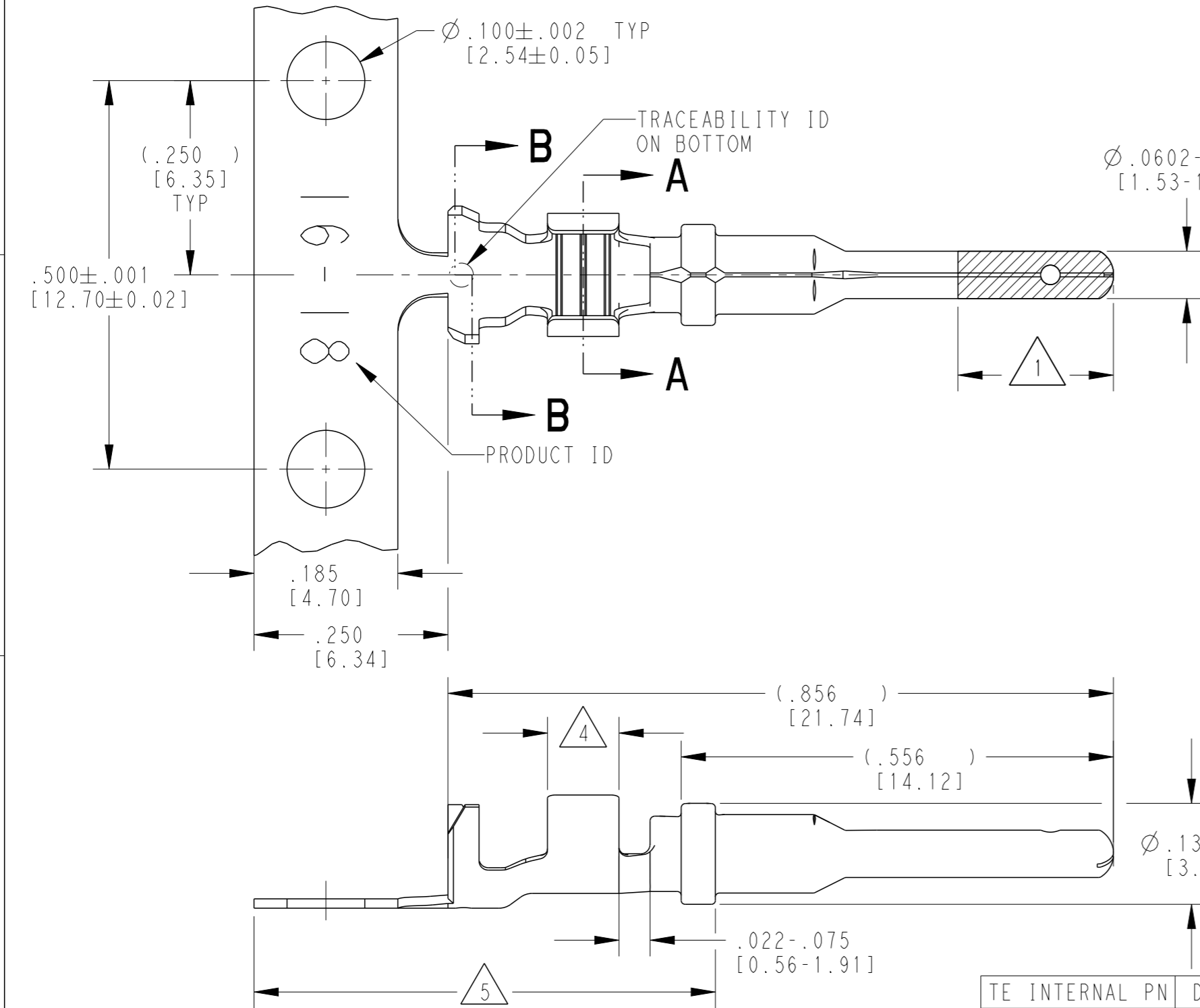
SIZE: A1
CAGE CODE: 4AFU8
DRAWING NO: DT04-2P-XXXX

RESTRICTED TO: -

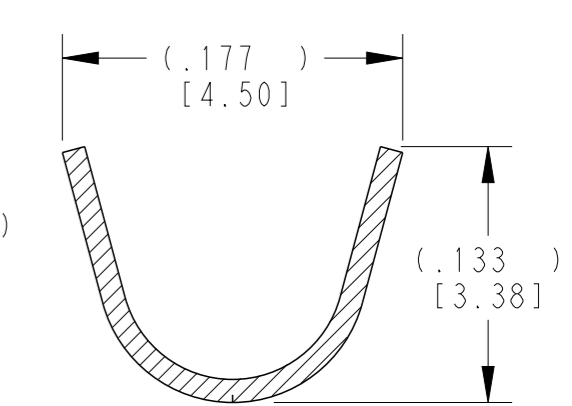
CUSTOMER DRAWING SCALE: 3:1 SHEET: 1 OF 1 REV: D4

THIS DRAWING IS UNPUBLISHED
 RELEASED FOR PUBLICATION 2020
 © COPYRIGHT 2020 BY TE CONNECTIVITY ALL RIGHTS RESERVED.

LOC	DIST	REVISIONS			
P	LTR	DESCRIPTION	DATE	DWN	APVD
	K	REVISED PER PCN E-20-008101	12JUN2020	DM	DM
	L	REVISED PER PCN-21-121539	08DEC2021	MK	DM
	L1	REVISED PER PCN-21-121539	04FEB2022	MK	DM
	L2	REVISED PER PCN-25-234384	30JAN2025	RK	CB



SECTION A-A
WIRE BARREL



SECTION B-B
INSULATION BARREL

- △5 TIN PLATING MAY BE IN THIS REGION.
- △4 TIN PLATED REGION.
- △3 MATERIAL: .012 [0.30] THICK COPPER ALLOY
- 2. WIRE RANGE: 18 AWG TO 14 AWG [0.75-2.0 mm²]
INSULATION RANGE: Ø.075-.140 [Ø1.91-3.56]
- △1 GOLD PLATED REGION.

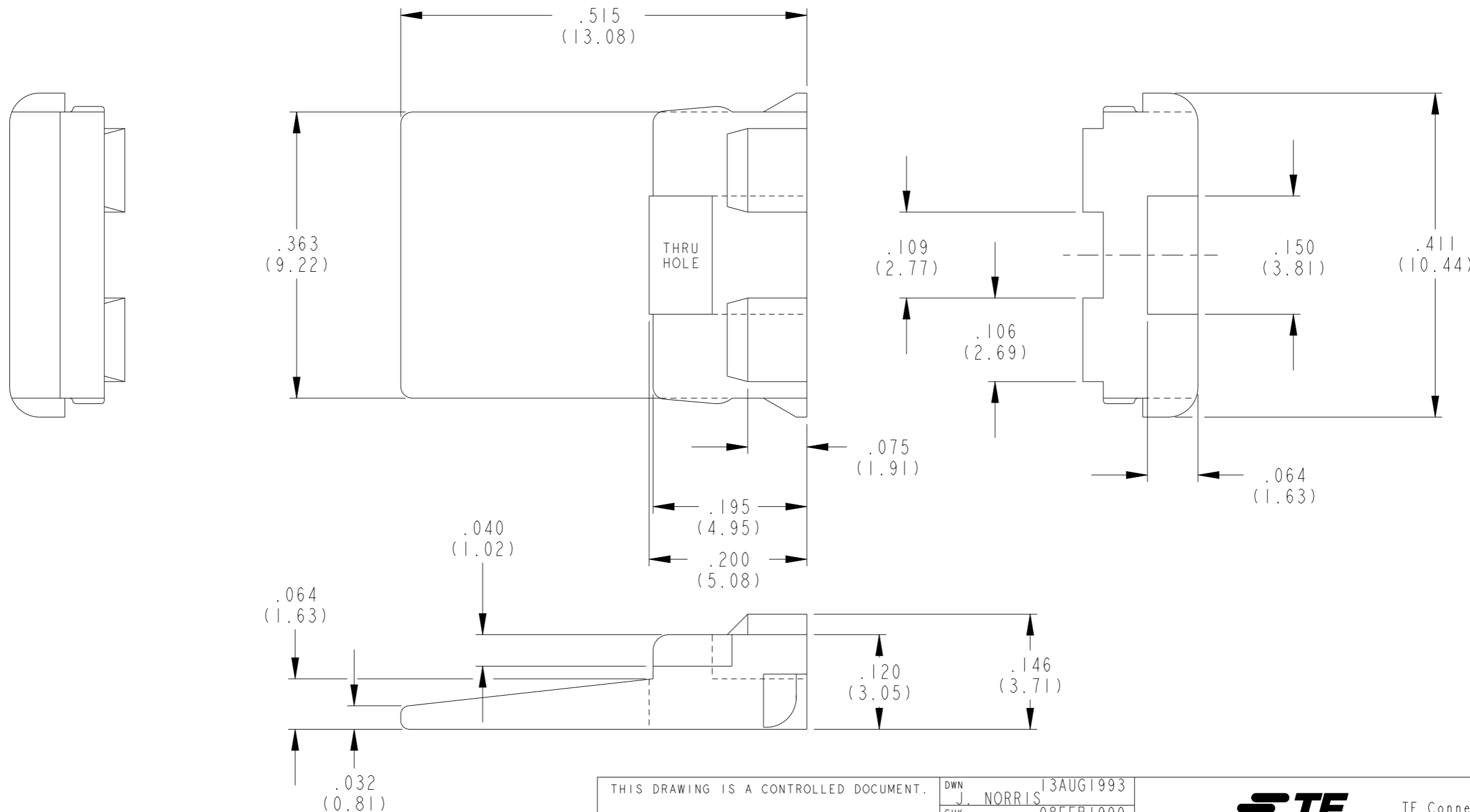
NOTES: UNLESS OTHERWISE SPECIFIED

TE INTERNAL PN	DEUTSCH PN	REV	PLATING
1060-16-0122	1060-16-0122	S	Ni/Cu overall, Sn/Ni/Cu Wire Barrel
1060-16-0144	1060-16-0144	S	Selective Au, Ni/Cu overall, Sn/Ni/Cu Wire Barrel
1060-16-0177	1060-16-0177	S	Sn/Ni/Cu overall

THIS DRAWING IS A CONTROLLED DOCUMENT.		DWN M. BLUM 04NOV1999	STE TE Connectivity	
DIMENSIONS: INCHES[mm]		CHK A. ROLINSKI 08DEC2000		
TOLERANCES UNLESS OTHERWISE SPECIFIED:		APVD R. REED 08DEC2000	NAME PIN, STAMPED CONTACT SIZE 16 14-18 AWG, .075-.140 INS	
0 PLC ± 1 PLC ± 2 PLC ± 3 PLC ±.025 [0.64] 4 PLC ± ANGLES ±		PRODUCT SPEC 108-151000	SIZE A3	
MATERIAL △3		APPLICATION SPEC 114-151000	CAGE CODE 4AFU8	DRAWING NO C=1060-16-01XX
FINISH SEE TABLE		WEIGHT 0.33 g	RESTRICTED TO -	SCALE 6:1
		Customer Drawing	SHEET 1	OF 1
			REV L2	

REVISIONS

P	LTR	DESCRIPTION	DATE	DWN	APVD
	H	REVISED PER PCN-23-190134	29SEP2023	GB	CB



1. MATES WITH DT04-2P-XXXX.
(XXXX = ALL MODIFICATIONS)

THIS DRAWING IS A CONTROLLED DOCUMENT.		DWN J. NORRIS 13AUG1993		
		CHK - 08FEB1999		
DIMENSIONS: IN [mm]		APVD R. REED 15FEB1999	NAME WEDGE LOCK FOR 2 PIN RECT. HOUSING DT SERIES	
		PRODUCT SPEC 108-151009	RESTRICTED TO	
		APPLICATION SPEC 114-151009	SIZE A3	CAGE CODE 00779
MATERIAL PBT GF30 GREEN		WEIGHT -	SCALE 1:1	
FINISH -		CUSTOMER DRAWING; RESTRICTED CUSTOMER		SHEET 1 OF 1
TOLERANCES UNLESS OTHERWISE SPECIFIED:		REV H		
0 PLC ±				
1 PLC ±				
2 PLC ±				
3 PLC ±.025 [0.64]				
4 PLC ±				
ANGLES ±				