

# M 22903-K



**MINIKIT**

*Proseguire nella pagina successiva per visualizzare la scheda tecnica dei componenti*

Revisione	Prodotto
REV.00 08/04/2026	OEM

REVISONS		DATE	BY	APP'D
D	REVISED PER PCN-23-192205	05FEB2024	RK	CB
D1	REVISED PER PCN-24-210159	21MAY2024	PS	CB
D2	REVISED PER PCN-24-220917	13SEP2024	PS	CB
D3	REVISED PER PCN-25-254907	08SEP2025	AP	AJ

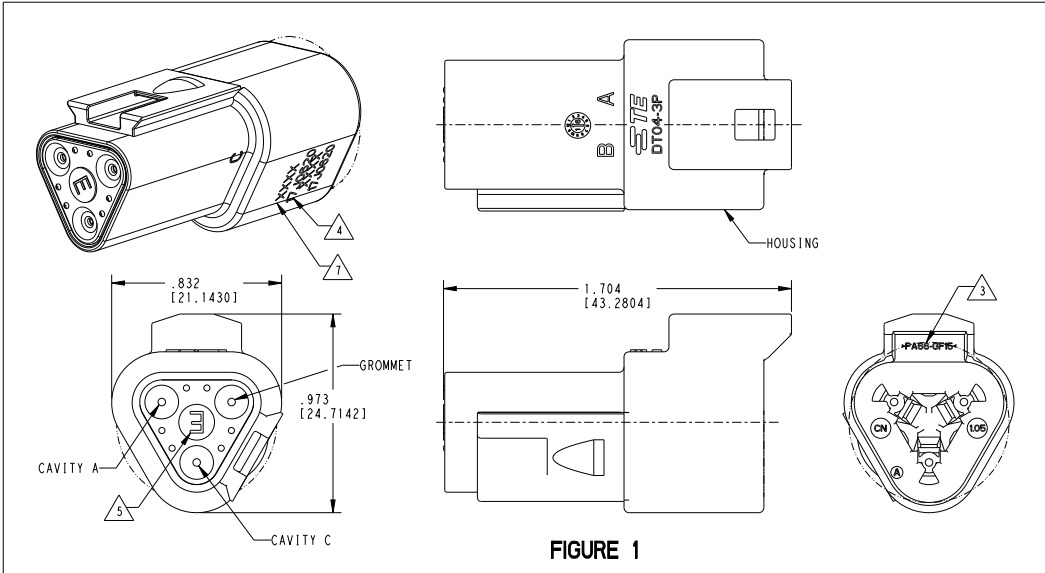


FIGURE 1

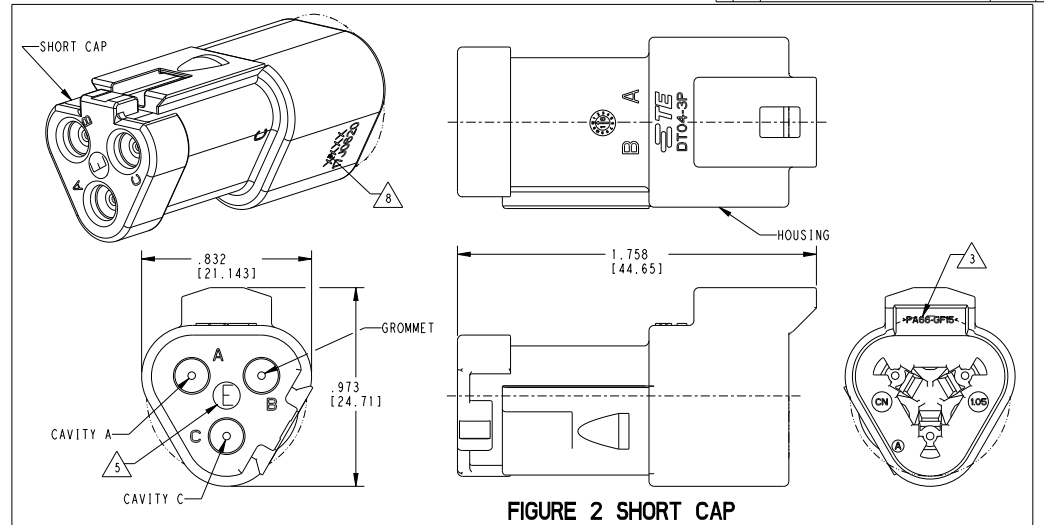


FIGURE 2 SHORT CAP

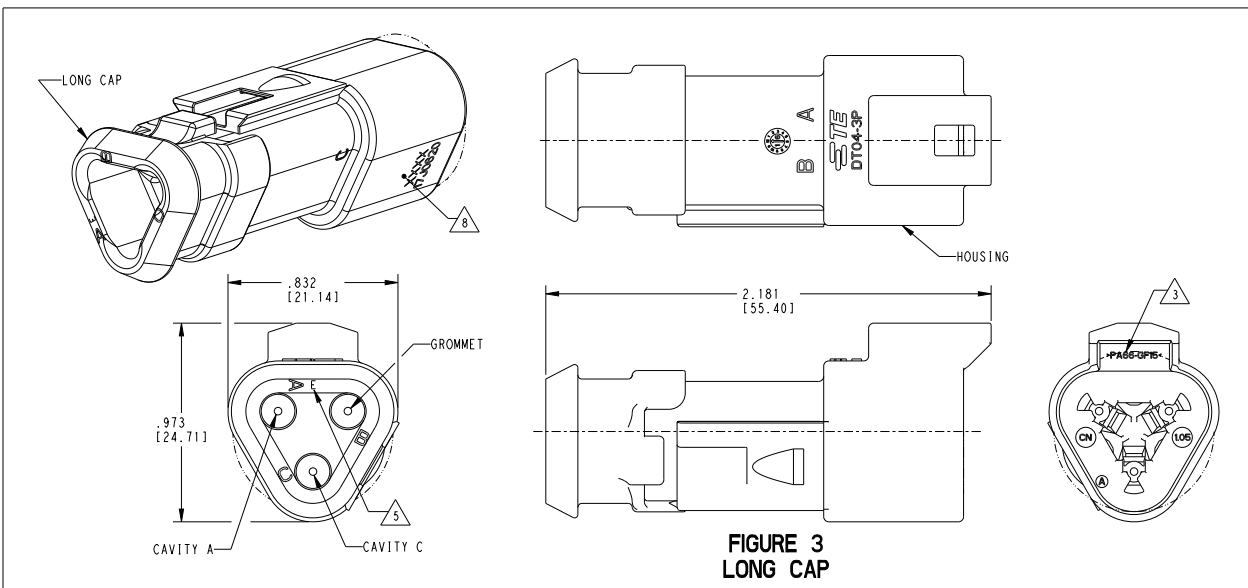


FIGURE 3 LONG CAP

CONTACT SIZE	WIRE RANGE	INSULATION OD SEALING RANGE	SEAL IDENTIFICATION
16	14-20 AWG [2.5-0.5mm <sup>2</sup> ]	.088-.145 [2.23-3.68]	STANDARD SEAL
		.053-.120 [1.35-3.05]	EXTRA THIN SEAL E-SEAL

TE INTERNAL PART NUMBER	DEUTSCH PART NUMBER	PN REV	HOUSING COLOR	STANDARD SEAL GROMMET	EXTRA THIN SEAL E-SEAL GROMMET	BLOCKED SEAL	SHORT CAP	LONG CAP	FIGURE
DT04-3P	DT04-3P	A	GREY	X					1
DT04-3P-C015	DT04-3P-C015	B	GREY		X				1
DT04-3P-C017	DT04-3P-C017	B	GREY			X	X		2
DT04-3P-CE01	DT04-3P-CE01	C	GREY		X		X		2
DT04-3P-CE04	DT04-3P-CE04	C	GREY		X			X	3
DT04-3P-E003	DT04-3P-E003	B	GREY	X			X		2
DT04-3P-E008	DT04-3P-E008	B	GREY	X				X	3
DT04-3P-EP04	DT04-3P-EP04	C	GREY	X			X		2
DT04-3P-P004	DT04-3P-P004	B	GREY	X					1
DT04-3P-CE02	DT04-3P-CE02	B	BLACK		X				1
DT04-3P-CE03	DT04-3P-CE03	B	BLACK		X		X		2
DT04-3P-CE09	DT04-3P-CE09	B	BLACK		X			X	3
DT04-3P-E004	DT04-3P-E004	A	BLACK	X					1
DT04-3P-E005	DT04-3P-E005	A	BLACK	X			X		2
DT04-3P-EE01	DT04-3P-EE01	A	BLACK	X				X	3
1-2448110-1	DT04-3P-TE09	A	BROWN		X				1
1-2448110-2	DT04-3P-TE03	A	GREEN		X				1
1-2448110-3	DT04-3P-TE07	A	BLUE		X				1
2-2448110-1	DT04-3P-TN09	A	BROWN	X					1
2-2448110-2	DT04-3P-TN03	A	GREEN	X					1
2-2448110-3	DT04-3P-TN07	A	BLUE	X					1
3-2448110-1	DT04-3P-EE18	A	BROWN		X		X		2
3-2448110-2	DT04-3P-EE16	A	GREEN		X		X		2
3-2448110-3	DT04-3P-EE17	A	BLUE		X		X		2
4-2448110-1	DT04-3P-EE14	A	BROWN	X			X		2
4-2448110-2	DT04-3P-EE13	A	GREEN	X			X		2
4-2448110-3	DT04-3P-EE06	A	BLUE	X			X		2

△ MATERIAL: HOUSING: PA66 GF15, SEE TABLE FOR COLOR  
 SHORT, LONG CAP: PA66 GF15, BLACK  
 GROMMET: VMO N-SEAL: RED-ORANGE  
 E-SEAL: BURNT RED  
 BLOCKED: RED-ORANGE

- THIS RECEPTACLE MATES WITH DT06-3S-XXXX PLUG. (XXXX = ALL MODIFICATIONS)
- SECONDARY WEDGE LOCK SOLD SEPARATELY: W3P-XXXX. (XXXX = ALL MODIFICATIONS)

NOTES: UNLESS OTHERWISE SPECIFIED

△ XXXX IDENTIFIES THE MODIFICATION NUMBER, IF APPLICABLE.  
 EXAMPLE: "E003" FOR DT04-3P-E003,  
 OR BLANK FOR DT04-3P.

6. FOR CONTACTS AND WIRE PERFORMANCE AND APPLICATION CHARACTERISTICS SEE CUSTOMER DRAWING 0425-015-0000.

△ "E" IDENTIFIES E-SEAL.

△ DATE CODE: IDENTIFIES THE YEAR, MONTH, DAY AND HOUR OF ASSEMBLY.  
 YEAR: FIRST AND SECOND DIGITS. (17 = 2017)  
 MONTH: THIRD DIGIT, EXCLUDING 1. A = JAN, B = FEB, C = MARCH... (K = OCTOBER)  
 DAY: FOURTH AND FIFTH DIGITS (14 = 14th DAY)  
 HOUR: SIXTH AND SEVENTH DIGITS (11 = 11AM)

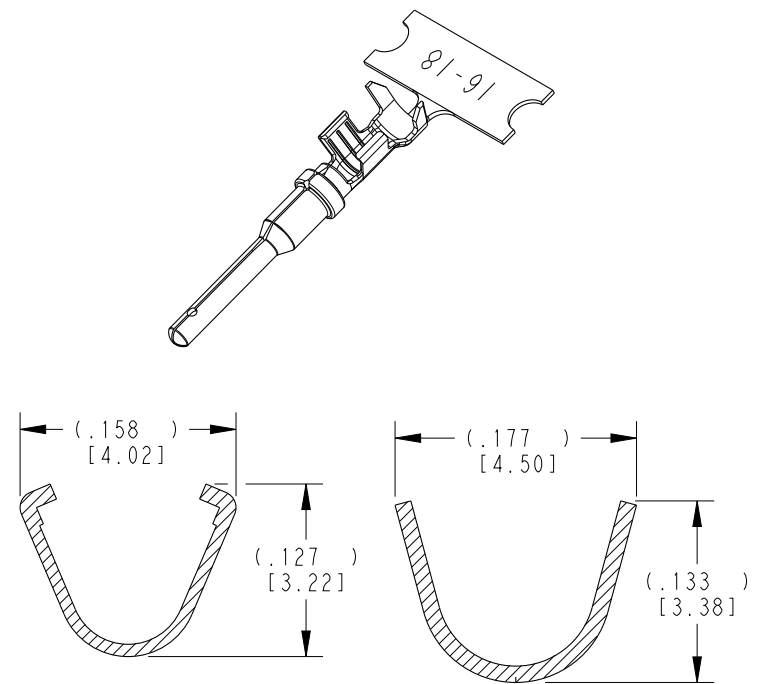
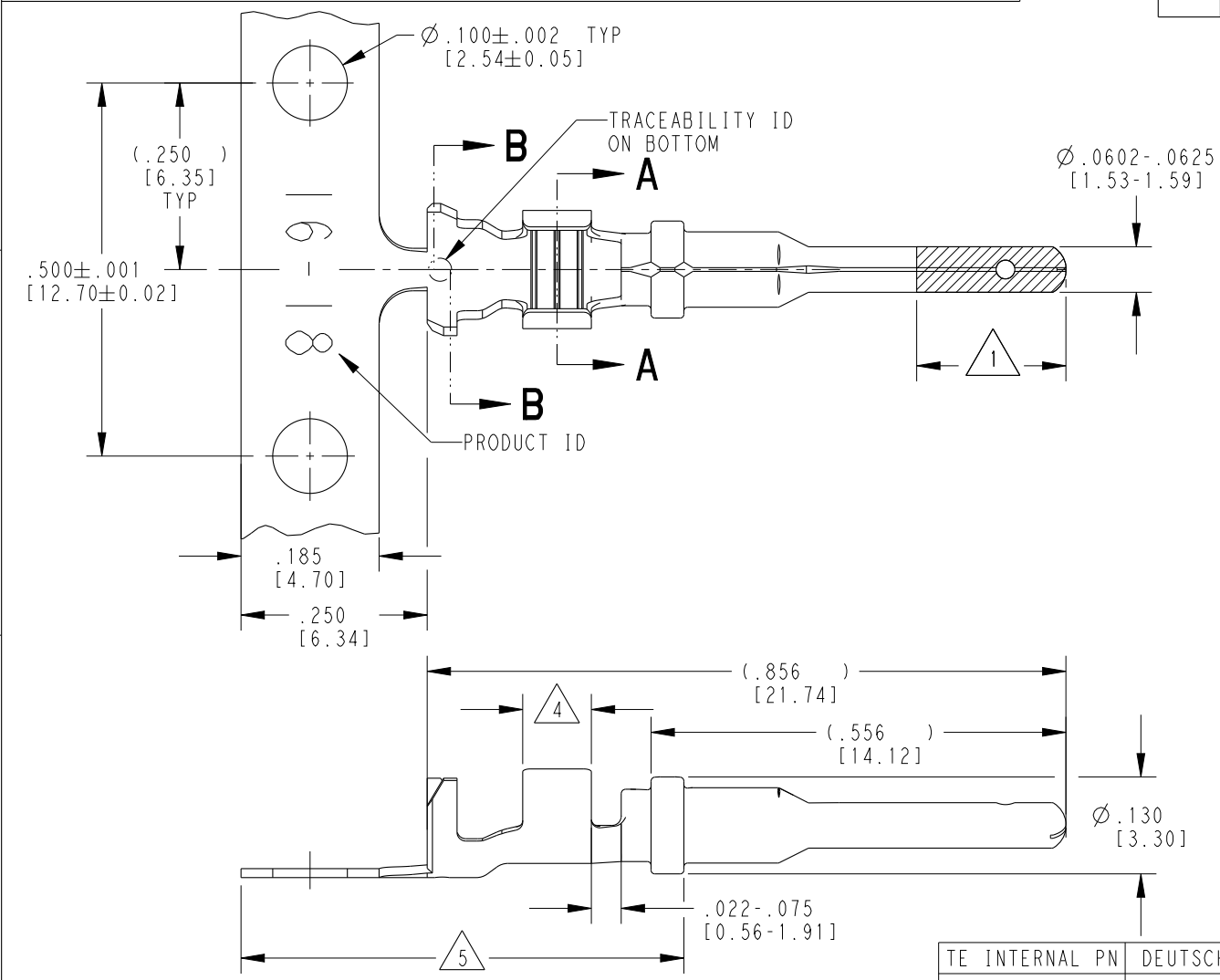
9. FOR ALL ID MARKINGS SURROUNDING THE PART, ORIENTATION IS SHOWN FOR REFERENCE ONLY AND DOES AFFECT FUNCTIONALITY. PROVIDED THE MARKINGS ARE IN THE CORRECT POSITION. SIZE AND LOCATION ARE APPROXIMATE AS SHOWN.

△ ADDITIONAL MARKING PER NOTE 4 AND 7 EXCLUSIVELY FOR PARTS WITH CAPS PRODUCED IN CHINA.

THIS DRAWING IS A CONTROLLED DOCUMENT. DATE: 12 JUL 2016  
 DWG: JAIMC\_AR03014  
 CHK: D. METER  
 DATE: 12 JUL 2016  
 DIMENSIONS: IN (mm)  
 1/8" PLG H: 1.08-1.51009  
 1/8" PLG L: 1.14-1.51009  
 1/8" PLG W: 0.25-0.64  
 1/8" PLG ANGLE: 40° 30' 0"  
 MATERIAL: 3  
 FINISH: 3  
 WEIGHT: 0.44F08  
 CUSTOMER DRAWING  
 SCALE: 3:1  
 SHEET: 1 OF 1  
 REV: D  
 3 WAY RECEPTACLE, STANDARD SEAL EXTRA THIN SEAL, SHORT CAP AND LONG CAP, DT SERIES

THIS DRAWING IS UNPUBLISHED. RELEASED FOR PUBLICATION 2020  
 © COPYRIGHT 2020 BY TE CONNECTIVITY ALL RIGHTS RESERVED.

P	LTR	DESCRIPTION	DATE	DWN	APVD
K		REVISED PER PCN E-20-008101	12JUN2020	DM	DM
L		REVISED PER PCN-21-121539	08DEC2021	MK	DM
L1		REVISED PER PCN-21-121539	04FEB2022	MK	DM
L2		REVISED PER PCN-25-234384	30JAN2025	RK	CB



- 5 TIN PLATING MAY BE IN THIS REGION.
- 4 TIN PLATED REGION.
- 3 MATERIAL: .012 [0.30] THICK COPPER ALLOY
- 2. WIRE RANGE: 18 AWG TO 14 AWG [0.75-2.0 mm<sup>2</sup>]  
INSULATION RANGE: Ø .075-.140 [Ø 1.91-3.56]
- 1 GOLD PLATED REGION.

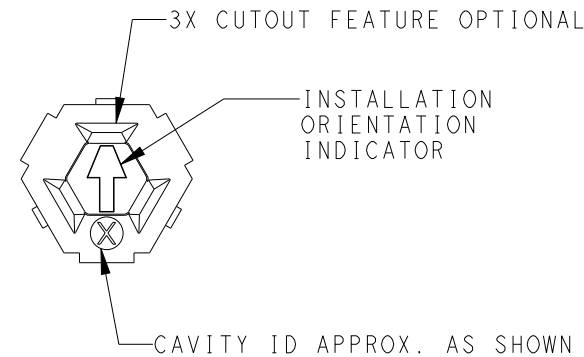
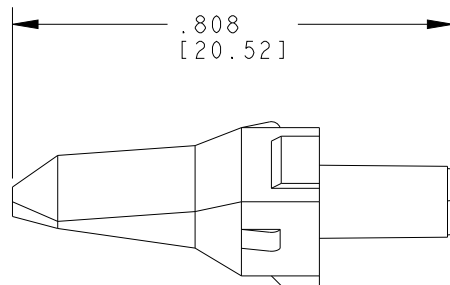
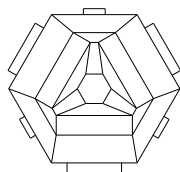
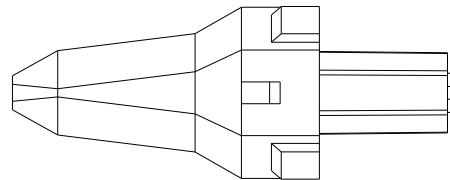
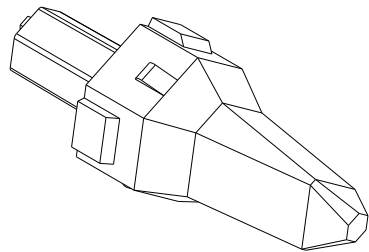
NOTES: UNLESS OTHERWISE SPECIFIED

TE INTERNAL PN	DEUTSCH PN	REV	PLATING
1060-16-0122	1060-16-0122	S	Ni/Cu overall, Sn/Ni/Cu Wire Barrel
1060-16-0144	1060-16-0144	S	Selective Au, Ni/Cu overall, Sn/Ni/Cu Wire Barrel
1060-16-0177	1060-16-0177	S	Sn/Ni/Cu overall

THIS DRAWING IS A CONTROLLED DOCUMENT.		DWN M. BLUM 04NOV1999	<b>STE</b> TE Connectivity		
DIMENSIONS: INCHES [mm]		CHK A. ROLINSKI 08DEC2000			
TOLERANCES UNLESS OTHERWISE SPECIFIED:		APVD R. REED 08DEC2000	NAME PIN, STAMPED CONTACT SIZE 16 14-18 AWG, .075-.140 INS		
0 PLC ± 1 PLC ± 2 PLC ± 3 PLC ±.025 [0.64] 4 PLC ± ANGLES ±		PRODUCT SPEC 108-151000	SIZE A3	CAGE CODE 4AFU8	DRAWING NO C=1060-16-01XX
MATERIAL 3		FINISH SEE TABLE	WEIGHT 0.33 g	RESTRICTED TO -	SCALE 6:1
Customer Drawing			SHEET 1 OF 1	REV L2	


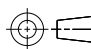
THIS DRAWING IS UNPUBLISHED  
 RELEASED FOR PUBLICATION  
 2014  
 © COPYRIGHT 2014 BY -TE CONNECTIVITY ALL RIGHTS RESERVED.

LOC		DIST		REVISIONS			
P	LTR	DESCRIPTION		DATE	DWN	APVD	
	C	REVISED PER E.O P15887		15FEB1999	-	RDR	
	C1	REVISED PER E.O-15-000356		08JAN2015	PS	DM	
	C2	REVISED PER PCN-22-149876		12DEC2022	AP	IG	
	H	REVISED PER PCN-23-190134		29SEP2023	GB	CB	



1. USED WITH DT04-3P-XXXX (XXXX= ALL MODIFICATIONS)  
 CONSULT FACTORY FOR MODIFICATION AND APPLICATION.

NOTES:

THIS DRAWING IS A CONTROLLED DOCUMENT.		DWN A.LEE	04FEB1999	 TE Connectivity									
DIMENSIONS: INCHES [mm]		CHK S.THEIS	08FEB1999										
		TOLERANCES UNLESS OTHERWISE SPECIFIED:		NAME WEDGE LOCK 3 WAY RECEPTACLE DT SERIES									
		0 PLC ±-	1 PLC ±-	2 PLC ±-	3 PLC ±-	4 PLC ±-	APVD S.THEIS	08FEB1999	PRODUCT SPEC	108-151009	SIZE	CAGE CODE	DRAWING NO
MATERIAL PBT30%GF GREEN		FINISH -		APPLICATION SPEC		114-151009		WEIGHT 0.53g		A34AFU8		C=W3P	
				CUSTOMER DRAWING		SCALE 4:1		SHEET 1 OF 1		REV H			