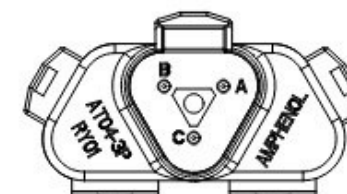
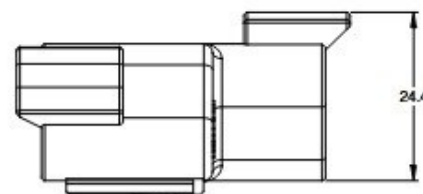
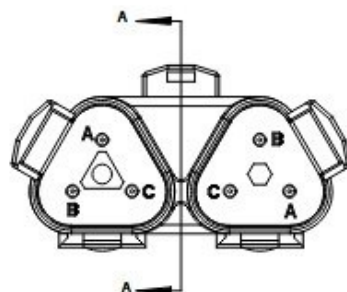


# M 22903-P007

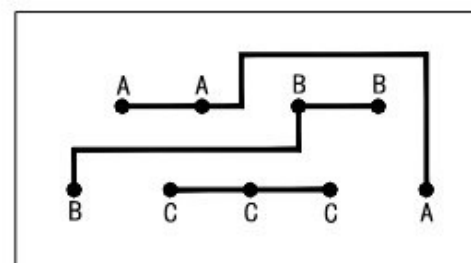


1. MATERIAL:  
HOUSING: THERMOPLASTIC, COLOR: GRAY  
CONTACT: COPPER ALLOY, GOLD PLATED

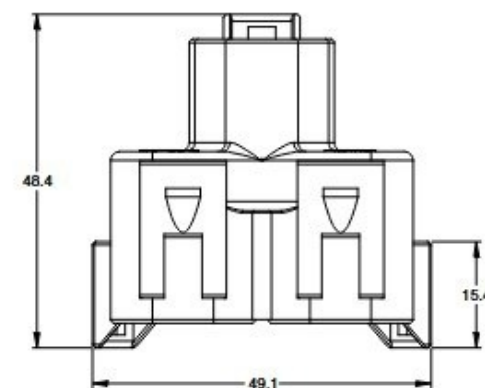
2. MODIFICATIONS: Y-TYPE

3. SPECIFICATIONS:

- 3.1 CURRENT RATING: 13 AMPS
- 3.2 OPERATING TEMPERATURE: -55°C TO +125°C
- 3.3 DIELECTRIC WITHSTANDING VOLTAGE: LESS THAN 2 MILLIAMPS CURRENT LEAKAGE @ 1500 VOLTS AC.
- 3.4 INSULATION RESISTANCE: 1000 MEGOHMS MIN @ 25°C.
- 3.5 MOISTURE RESISTANCE: IP67 ( MATED CONDITION )
- 3.6 MATING CYCLE DURABILITY: 100 CYCLES
- 3.7 RoHS COMPLIANT

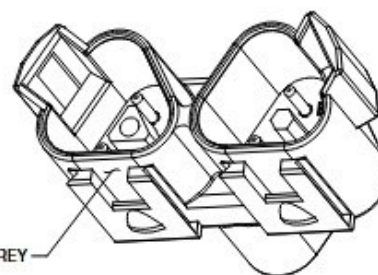


WIRING DIAGRAM



5. ALL DIMENSIONS ARE FOR REFERENCE USE ONLY.

6 CONTACT SIZE : 16



STANDARD MOLDED COLOR IS GREY

