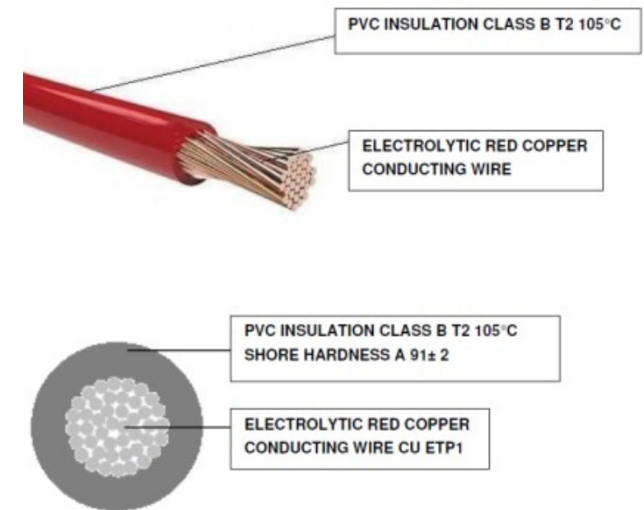


M 22904-C



| Caratteristiche CAVO | |
|--------------------------|--|
| Temperatura d'uso | -40 °C / +105 °C (IDLE STATE) |
| Sezione | 0.50 mmq |
| Colore | Bianco |
| Documenti di riferimento | ISO 19642 : 2019 / DIN 72551 ISO 6722 CLASS B / LV 112 / ISO 3795 FIAT 91107 / 18 (where applicable) ROHS II/III UN R118 |
| Lunghezza | 20 cm |
| Tipologia | F3T2 |



| CROSS SECTION | COND. CONSTR. | EXT. DIAMETER. | INSUL. MATERIAL | EL. RES. MAX 20° | MAX VOLT. | INSULATION THICKNESS (+) |
|---------------|---------------------|--------------------|------------------|------------------|-----------|--------------------------|
| 1 x 1,00 | 32 x 0,20 ± 0,01 mm | 2,10 +0 mm -0,2 mm | PVC T2 HT 105 °C | 18,5 OHM/KM | < 300 V | ≥ 0,24 |

Proseguire nella pagina successiva per visualizzare la scheda tecnica dei componenti

| Revisione | Prodotto |
|----------------------|----------|
| REV.00 08/04/2026 | OEM |

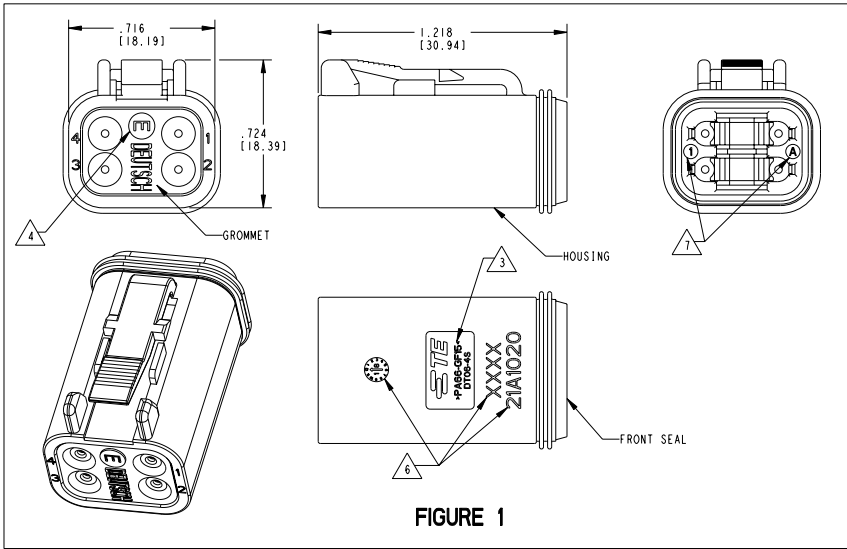


FIGURE 1

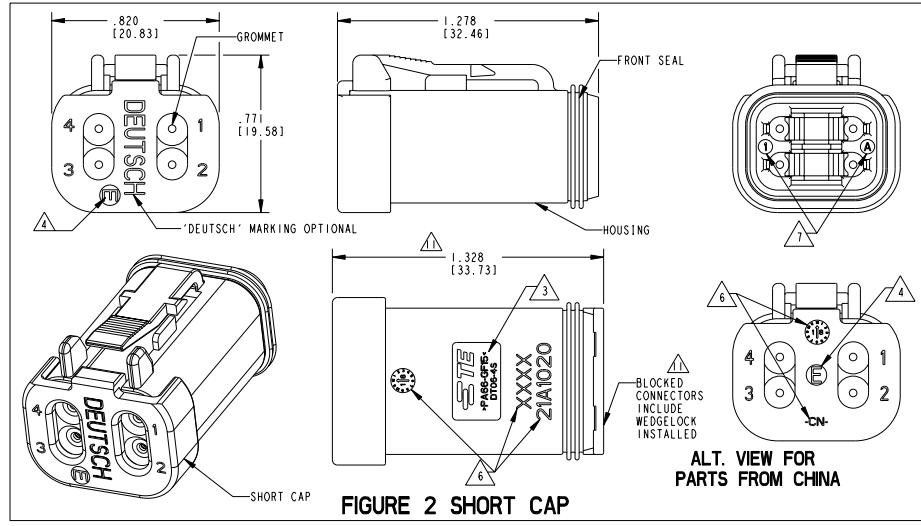


FIGURE 2 SHORT CAP

| REVISIONS | | | | |
|-----------|---------------------------|-----------|----|------|
| REV | DESCRIPTION | DATE | BY | APPV |
| B1 | REVISED PER PCN-24-210159 | 20MAY2024 | PS | CB |
| B2 | REVISED PER PCN-24-226098 | 20NOV2024 | PS | CB |
| B3 | REVISED PER PCN-25-254987 | 08SEP2025 | AP | AJ |
| B4 | REVISED PER PCN-25-266370 | 04NOV2025 | RT | EC |

| CONTACT SIZE | WIRE RANGE | INSULATION OD SEALING RANGE | SEAL IDENTIFICATION |
|--------------|--|-----------------------------|------------------------|
| 16 | 14-20 AWG [2.5-0.5mm ²] | .088-.145 [2.23-3.68] | STANDARD SEAL |
| | | .053-.120 [1.35-3.05] | EXTRA THIN SEAL E-SEAL |

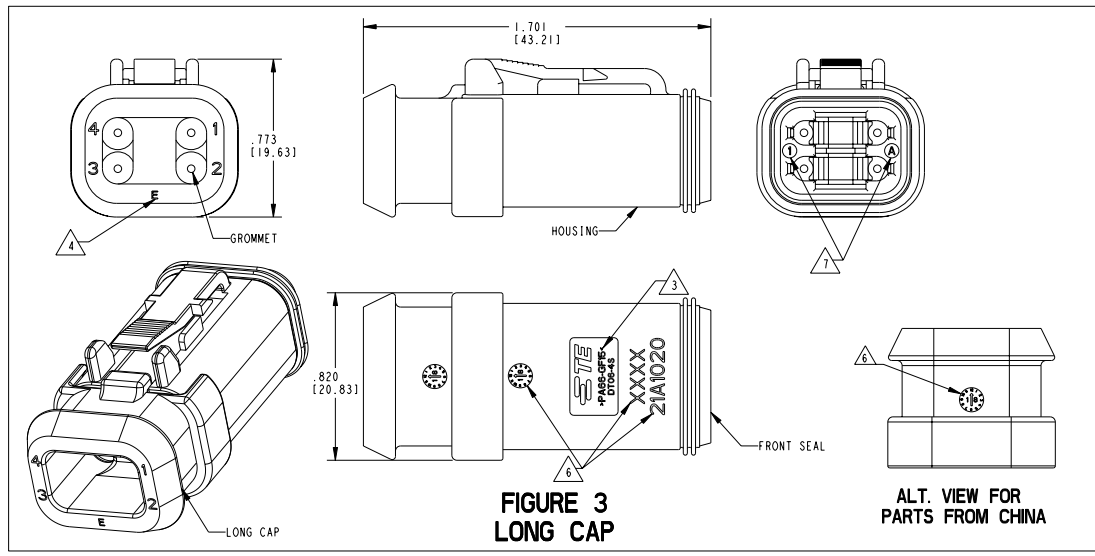


FIGURE 3 LONG CAP

ALT. VIEW FOR PARTS FROM CHINA

| TE INTERNAL PART NUMBER | DEUTSCH PART NUMBER | PN REV | HOUSING COLOR | STANDARD SEAL GROMMET | EXTRA THIN SEAL E-SEAL GROMMET | BLOCKED SEAL | SHORT CAP | LONG CAP | FIGURE |
|-------------------------|---------------------|--------|---------------|-----------------------|--------------------------------|--------------|-----------|----------|--------|
| DT06-4S | DT06-4S | A | GRAY | X | | | | | 1 |
| DT06-4S-C015 | DT06-4S-C015 | B | GRAY | | X | | | | 1 |
| DT06-4S-C017 | DT06-4S-C017 | B | GRAY | | | X | X | | 2 |
| DT06-4S-CE01 | DT06-4S-CE01 | C | GRAY | | X | | X | | 2 |
| DT06-4S-CE02 | DT06-4S-CE02 | B | BLACK | | X | | | | 1 |
| DT06-4S-CE03 | DT06-4S-CE03 | A | BLACK | | X | | X | | 2 |
| DT06-4S-CE04 | DT06-4S-CE04 | C | GRAY | | X | | | X | 3 |
| DT06-4S-CE05 | DT06-4S-CE05 | B | BLACK | | X | | X | | 2 |
| DT06-4S-CE06 | DT06-4S-CE06 | B | BLACK | | X | | | | 1 |
| DT06-4S-CE13 | DT06-4S-CE13 | B | BLACK | | X | | | X | 3 |
| DT06-4S-CP01 | DT06-4S-CP01 | A | BLACK | | | X | X | | 2 |
| DT06-4S-E003 | DT06-4S-E003 | B | GRAY | X | | | X | | 2 |
| DT06-4S-E004 | DT06-4S-E004 | A | BLACK | X | | | | | 1 |
| DT06-4S-E005 | DT06-4S-E005 | A | BLACK | X | | | X | | 2 |
| DT06-4S-E008 | DT06-4S-E008 | B | GRAY | X | | | | X | 3 |
| DT06-4S-EP04 | DT06-4S-EP04 | C | GRAY | X | | | X | | 2 |
| DT06-4S-EP06 | DT06-4S-EP06 | B | BLACK | X | | | X | | 2 |
| DT06-4S-EP11 | DT06-4S-EP11 | B | BLACK | X | | | | X | 3 |
| DT06-4S-P004 | DT06-4S-P004 | B | GRAY | X | | | | | 1 |
| DT06-4S-P012 | DT06-4S-P012 | A | BLACK | X | | | | | 1 |
| 1-2448104-1 | DT06-4S-TE09 | A | BROWN | | X | | | | 1 |
| 1-2448104-2 | DT06-4S-TE03 | A | GREEN | X | | X | | | 1 |
| 1-2448104-3 | DT06-4S-TE07 | A | BLUE | | X | | | | 1 |
| 2-2448104-1 | DT06-4S-TN09 | A | BROWN | X | | | | | 1 |
| 2-2448104-2 | DT06-4S-TN03 | A | GREEN | X | | | | | 1 |
| 2-2448104-3 | DT06-4S-TN07 | A | BLUE | X | | | | | 1 |
| 3-2448104-1 | DT06-4S-EE18 | A | BROWN | | X | | X | | 2 |
| 3-2448104-2 | DT06-4S-EE16 | A | GREEN | X | | X | X | | 2 |
| 3-2448104-3 | DT06-4S-EE17 | A | BLUE | | X | | X | | 2 |
| 4-2448104-1 | DT06-4S-EE14 | A | BROWN | X | | | X | | 2 |
| 4-2448104-2 | DT06-4S-EE13 | A | GREEN | X | | | X | | 2 |
| 4-2448104-3 | DT06-4S-EE06 | A | BLUE | X | | | X | | 2 |

- 4 *E* IDENTIFIES E-SEAL. LOCATED APPROX. AS SHOWN.
- 3 MATERIAL: HOUSING: PA66 GF15, SEE TABLE FOR COLOR
SHORT, LONG CAP: PA66 GF15, BLACK
GROMMET: E-SEAL VMO (BURNT RED)
N-SEAL VMO (RED-ORANGE)
BLOCKED VMO (RED-ORANGE)
FRONT SEAL: VMO (RED-ORANGE).

- 6 MARKING FOR PARTS PRODUCED IN CHINA:
 - *XXXX IDENTIFIES THE MODIFICATION NUMBER, IF APPLICABLE. EXAMPLE: *E003* FOR DT06-4S-E003, OR BLANK FOR DT06-4S.
 - *DATE CODE: IDENTIFIES THE YEAR, MONTH, DAY AND HOUR OF ASSEMBLY.
YEAR: FIRST AND SECOND DIGITS: (17 = 2017)
MONTH: THIRD DIGIT, EXCLUDING 1. A = JAN, B = FEB, C = MARCH, ... (K = OCTOBER)
DAY: FOURTH AND FIFTH DIGITS (14 = 14th DAY)
HOUR: SIXTH AND SEVENTH DIGITS (11 = 11AM)
 - *DIAL DATE CODE LOCATED ON HOUSING AND/OR CAP.
*CN LOCATED ON HOUSING AND/OR CAP.

- 2. THIS PLUG MATES WITH DT04-4P-XXXX RECEPTACLE. (XXXX = ALL MODIFICATIONS)
- 1. SECONDARY WEDGE LOCK SOLD SEPARATELY: W4SX-XXXX. (X = A, B, C, D KEY. XXXX = ALL MODIFICATIONS)
W4S OR W4S-P012 MAY BE USED WITH THESE PLUGS. W4S-P012 IS RECOMMENDED.

NOTES: UNLESS OTHERWISE SPECIFIED

- 5. FOR CONTACTS AND WIRE PERFORMANCE AND APPLICATION CHARACTERISTICS SEE CUSTOMER DRAWING 0425-015-0000.

- 11 CONNECTORS WITH A BLOCKED SEAL INCLUDE THE W4S-P012 WEDGE (GREEN) INSTALLED AS PART OF THE PLUG ASSEMBLY.
- 7 MARKING FOR PARTS PRODUCED IN US:
 - *DATE CODE: YEAR TO BE LAST NUMERICAL DIGIT, EX: 1=2021
MONTH USES SEQUENTIAL ALPHA CHARACTERS, EX: A=JANUARY

THIS DRAWING IS A CONTROLLED DOCUMENT. OWN: R. MESSENGER 28 JUN 2021
 CHN: L. GRANICHAROVA 12 JUL 2021
 PRODUCED BY: L. GRANICHAROVA
 PRODUCT SPEC: 108-151009
 APPLICATION SPEC: 114-151009
 MATERIAL: 3 FINISH: 44F08

TE Connectivity
 4 WAY PLUG, STANDARD SEAL
 EXTRA THIN SEAL, SHORT AND LONG CAP
 DT SERIES

SCALE: 3:1 SHEET: 1 OF 2 REV: B.4

| REVISIONS | | | |
|-----------|-------------|------|-----|
| REV | DESCRIPTION | DATE | BYN |
| - | SEE SHEET 1 | - | - |
| | | | |
| | | | |

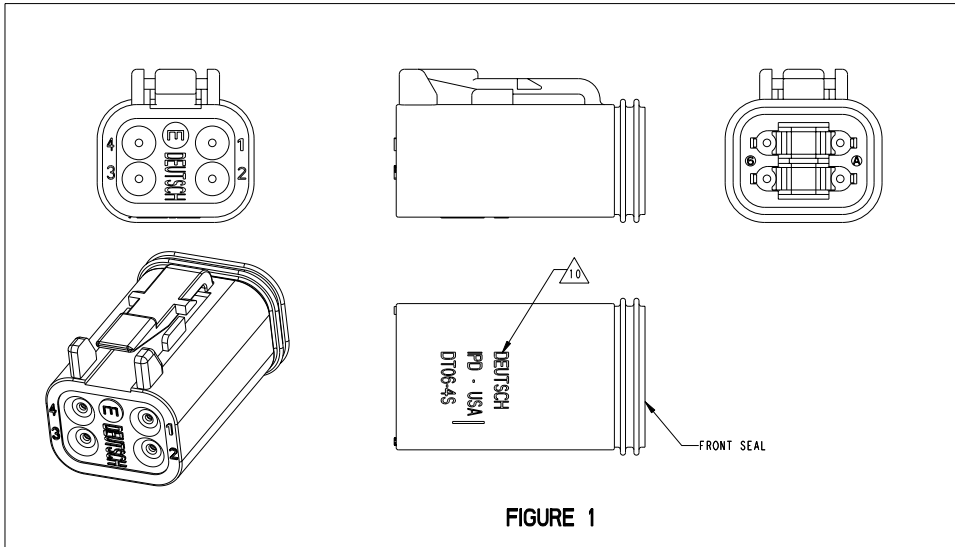


FIGURE 1

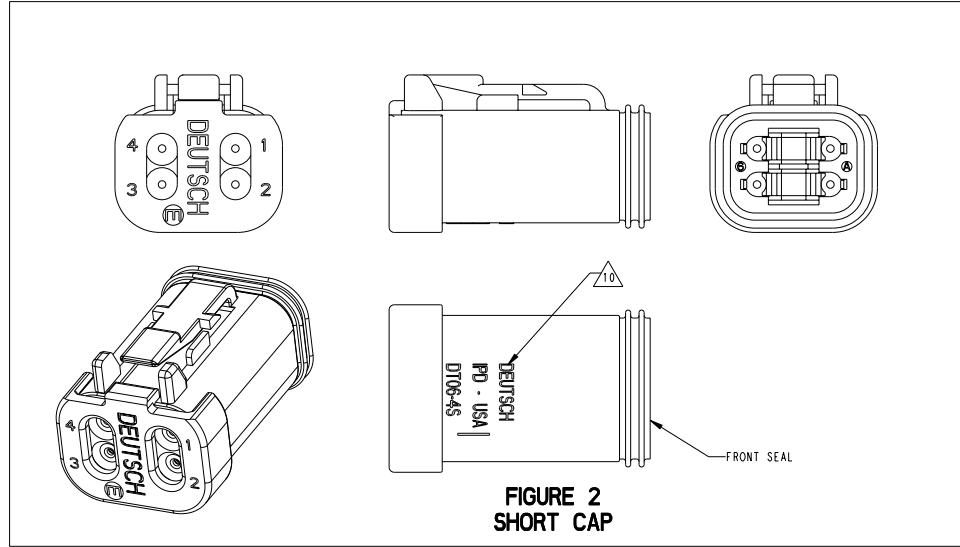


FIGURE 2
SHORT CAP

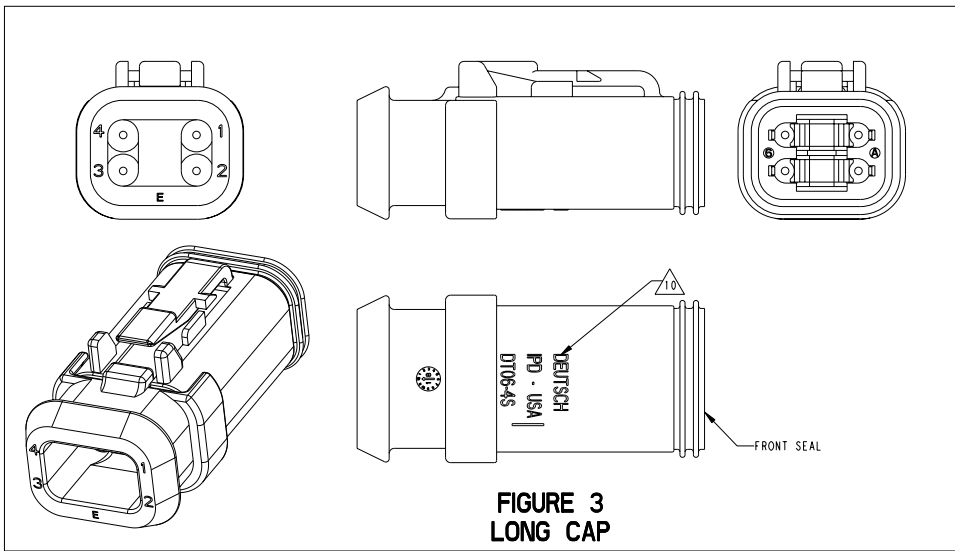


FIGURE 3
LONG CAP

| AFFECTED PART NUMBERS | PN REV | COLOR | STANDARD SEAL GROMMET | EXTRA THIN SEAL E-SEAL GROMMET | BLOCKED SEAL | SHORT CAP | LONG CAP | FIGURE |
|-----------------------|--------|-------|-----------------------|--------------------------------|--------------|-----------|----------|--------|
| DT06-4S | - | GRAY | X | | | | | 1 |
| DT06-4S-C015 | A | GRAY | | X | | | | 1 |
| DT06-4S-C017 | - | GRAY | | | X | X | | 2 |
| DT06-4S-CE01 | A | GRAY | | X | | X | | 2 |
| DT06-4S-CE02 | A | BLACK | | X | | | | 1 |
| DT06-4S-CE03 | - | BLACK | | X | | X | | 2 |
| DT06-4S-CE04 | A | GRAY | | X | | | X | 3 |
| DT06-4S-E003 | - | GRAY | X | | | X | | 2 |
| DT06-4S-E004 | - | BLACK | X | | | | | 1 |
| DT06-4S-E005 | - | BLACK | X | | | X | | 2 |
| DT06-4S-E008 | - | GRAY | X | | | | X | 3 |
| DT06-4S-EP04 | A | GRAY | X | | | X | | 2 |
| DT06-4S-P004 | A | GRAY | X | | | | | 1 |

- 13. FOR ALL ID MARKINGS SURROUNDING THE PART, ORIENTATION IS SHOWN FOR REFERENCE ONLY AND DOES NOT AFFECT FUNCTIONLAITY, PROVIDED THE MARKINGS ARE IN THE CORRECT POSITION. SIZE AND LOCATION ARE APPROXIMATE, AS SHOWN.
- 12. CONNECTORS WITH A BLOCKED SEAL (AND DEUTSCH MARKINGS) INCLUDE THE WAS WEDGE (ORANGE) INSTALLED AS PART OF THE PLUG ASSEMBLY.
- 10. PARTS IN THE STANDARD TYPE CONFIGURATION WILL HAVE 'DEUTSCH' ID TEXT ON THE HOUSINGS.
- 9. SECONDARY WEDGE LOCK SOLD SEPARATELY: WAS OR WASX (X = A,B,C,D KEY). WAS OR WASX MUST BE USED WITH THE STANDARD TYPE PLUGS.
- 8. THE AFFECTED PARTS NUMBERS LISTED ARE CHANGING FROM STANDARD TYPE SEAL (SHEET 2) TO RETENTION TYPE SEAL (SHEET 1). PARTS WILL BE SUPPLIED FROM THE NORTH AMERICA REGION IN THE STANDARD TYPE CONFIGURATION UNTIL THE STANDARD TYPE TOOLING REACHES ITS END OF LIFE. PARTS PRODUCED IN CHINA WILL BE RETENTION TYPE ONLY.

THIS DRAWING IS A CONTROLLED DOCUMENT. OWN: R. MESSENGER 28 JUN 2021
 CBY: L. GRANICHAROVA 12 JUL 2021
 NAME: 4 WAY PLUG, STANDARD SEAL EXTRA THIN SEAL, SHORT AND LONG CAP DT SERIES

TE Connectivity

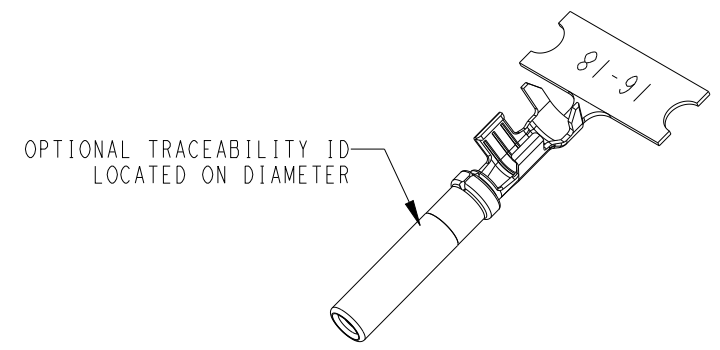
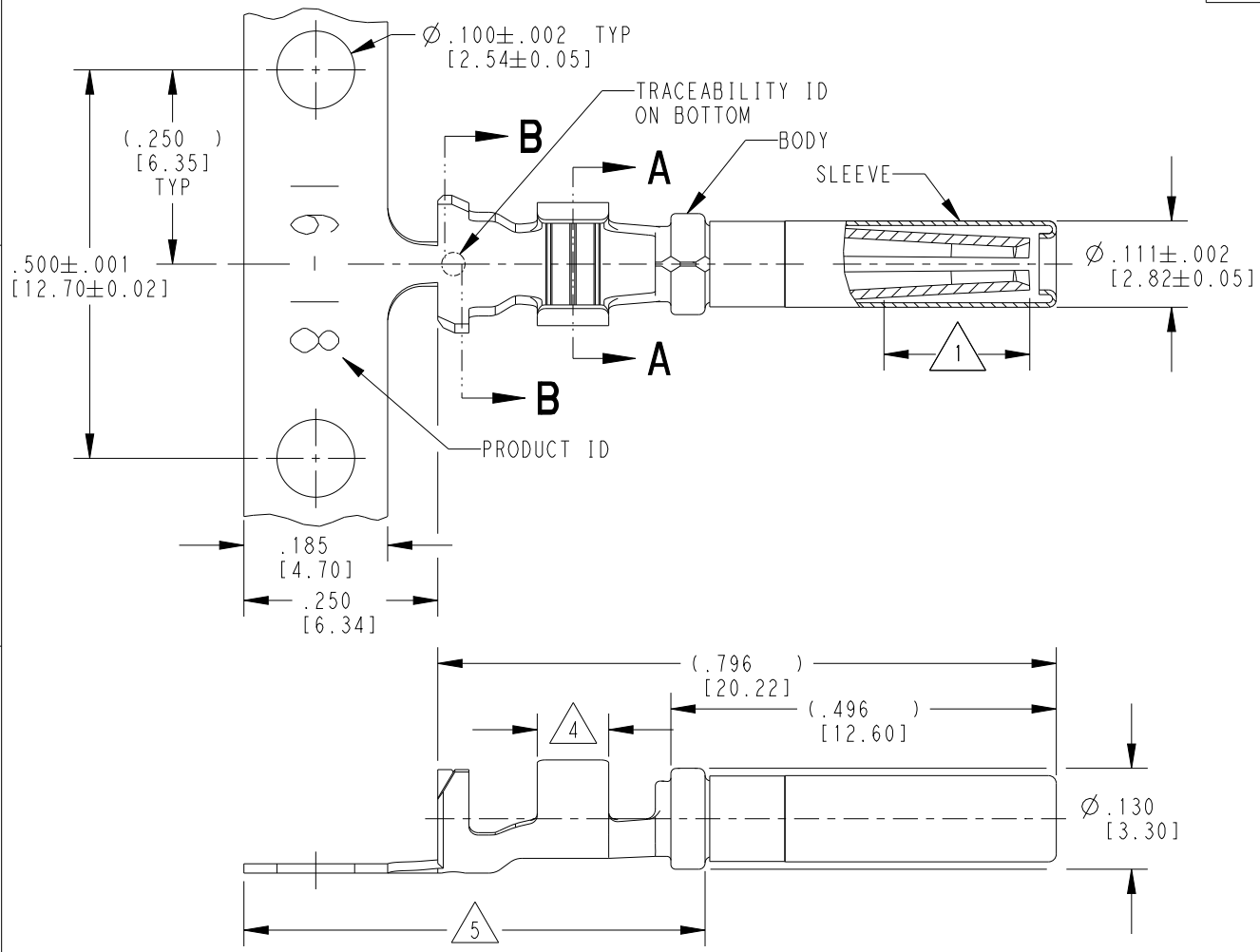
| | | | |
|---------------------|------------|-------------------------|------------|
| DIMENSIONS: IN (mm) | 108-151009 | APPROVALS: PRODUCT SPEC | 108-151009 |
| PLC 1 | A | PLC 2 | A |
| PLC 3 | A | PLC 4 | A |
| PLC 5 | A | PLC 6 | A |
| PLC 7 | A | PLC 8 | A |
| PLC 9 | A | PLC 10 | A |
| PLC 11 | A | PLC 12 | A |
| PLC 13 | A | PLC 14 | A |
| PLC 15 | A | PLC 16 | A |
| PLC 17 | A | PLC 18 | A |
| PLC 19 | A | PLC 20 | A |
| PLC 21 | A | PLC 22 | A |
| PLC 23 | A | PLC 24 | A |
| PLC 25 | A | PLC 26 | A |
| PLC 27 | A | PLC 28 | A |
| PLC 29 | A | PLC 30 | A |
| PLC 31 | A | PLC 32 | A |
| PLC 33 | A | PLC 34 | A |
| PLC 35 | A | PLC 36 | A |
| PLC 37 | A | PLC 38 | A |
| PLC 39 | A | PLC 40 | A |
| PLC 41 | A | PLC 42 | A |
| PLC 43 | A | PLC 44 | A |
| PLC 45 | A | PLC 46 | A |
| PLC 47 | A | PLC 48 | A |
| PLC 49 | A | PLC 50 | A |
| PLC 51 | A | PLC 52 | A |
| PLC 53 | A | PLC 54 | A |
| PLC 55 | A | PLC 56 | A |
| PLC 57 | A | PLC 58 | A |
| PLC 59 | A | PLC 60 | A |
| PLC 61 | A | PLC 62 | A |
| PLC 63 | A | PLC 64 | A |
| PLC 65 | A | PLC 66 | A |
| PLC 67 | A | PLC 68 | A |
| PLC 69 | A | PLC 70 | A |
| PLC 71 | A | PLC 72 | A |
| PLC 73 | A | PLC 74 | A |
| PLC 75 | A | PLC 76 | A |
| PLC 77 | A | PLC 78 | A |
| PLC 79 | A | PLC 80 | A |
| PLC 81 | A | PLC 82 | A |
| PLC 83 | A | PLC 84 | A |
| PLC 85 | A | PLC 86 | A |
| PLC 87 | A | PLC 88 | A |
| PLC 89 | A | PLC 90 | A |
| PLC 91 | A | PLC 92 | A |
| PLC 93 | A | PLC 94 | A |
| PLC 95 | A | PLC 96 | A |
| PLC 97 | A | PLC 98 | A |
| PLC 99 | A | PLC 100 | A |

MATERIAL: FINISH: WEIGHT: 44F08 DT06-4S-XXXX

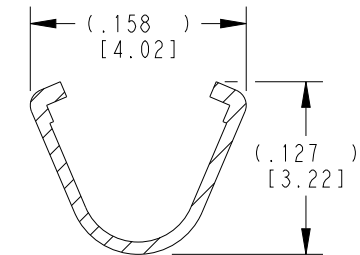
CUSTOMER DRAWING SCALE: 3:1 SHEET: 2 OF 2 REV: 4

THIS DRAWING IS UNPUBLISHED. RELEASED FOR PUBLICATION 2015
 © COPYRIGHT 1999 BY TE CONNECTIVITY ALL RIGHTS RESERVED.

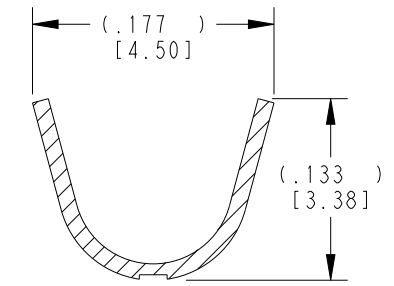
| LOC | DIST | REVISIONS | | | |
|-----|------|-----------------------------|-----------|-----|------|
| P | LTR | DESCRIPTION | DATE | DWN | APVD |
| | K | REVISED PER PCN E-20-008101 | 12JUN2020 | DM | DM |
| | K1 | REVISED PER PCN-22-157823 | 12OCT2022 | SP | DM |
| | K2 | REVISED PER PCN-25-234736 | 06FEB2025 | GB | DM |
| | L | REVISED PER PCN-25-253652 | 14AUG2025 | RT | DM |



OPTIONAL TRACEABILITY ID LOCATED ON DIAMETER



SECTION A-A
WIRE BARREL



SECTION B-B
INSULATION BARREL

5 TIN PLATING MAY BE IN THIS REGION.

4 TIN PLATED REGION.

3 MATERIAL:
 BODY: .012 [0.30] THICK COPPER ALLOY
 SLEEVE: STAINLESS STEEL

2. WIRE RANGE: 18 AWG TO 14 AWG [0.75-2.0 mm²]
 INSULATION RANGE: Ø.075-.140 [Ø1.91-3.56]

1 GOLD PLATED REGION.

NOTES: UNLESS OTHERWISE SPECIFIED

| TE INTERNAL PN | DEUTSCH PN | REV | PLATING |
|----------------|--------------|-----|---|
| 1062-16-0122 | 1062-16-0122 | L | Ni/Cu overall, Sn/Ni/Cu Wire Barrel |
| 1062-16-0144 | 1062-16-0144 | M | Selective Au, Ni overall, Sn/Ni Wire Barrel |
| 1062-16-0177 | 1062-16-0177 | L | Sn/Ni/Cu overall |

THIS DRAWING IS A CONTROLLED DOCUMENT.

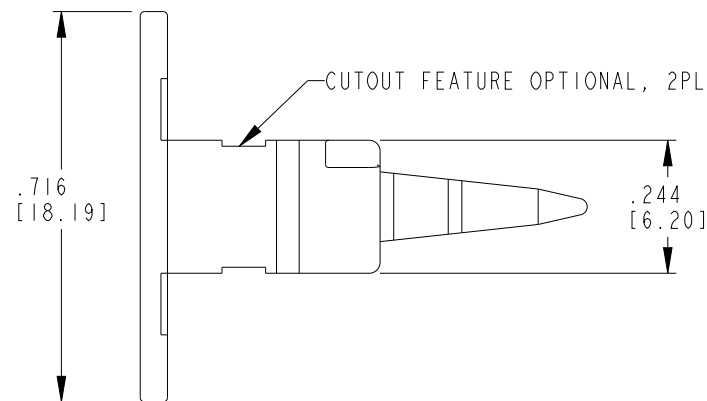
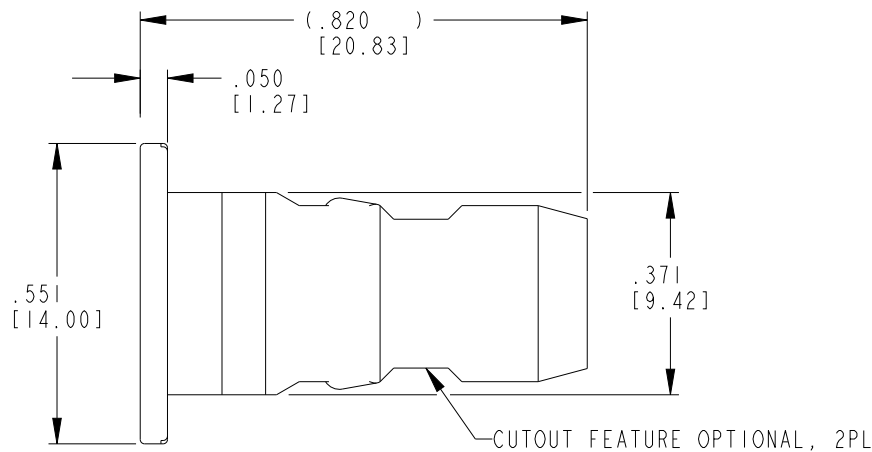
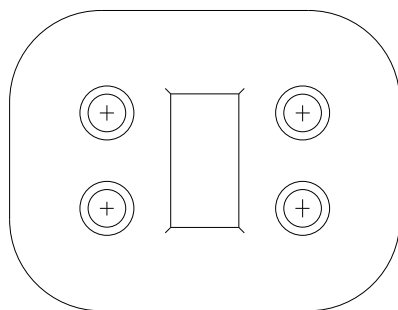
| | | | |
|----------------------------|--|---|--|
| DIMENSIONS: INCHES [mm] | TOLERANCES UNLESS OTHERWISE SPECIFIED: 0 PLC ± 1 PLC ± 2 PLC ± 3 PLC ±.025 [0.64] 4 PLC ± ANGLES ± | DWN M. BLUM 03NOV1999 CHK A. ROLINSKI 08DEC2000 APVD R. REED 08DEC2000 PRODUCT SPEC 108-151000 APPLICATION SPEC 114-151000 WEIGHT 0.43 g | TE Connectivity NAME SOCKET, STAMPED CONTACT SIZE 16 14-18 AWG, .075-.140 INS SIZE A3 CAGE CODE 4AFU8 DRAWING NO. C=1062-16-01XX RESTRICTED TO - SCALE 6:1 SHEET 1 OF 1 REV L |
|----------------------------|--|---|--|

MATERIAL 3 FINISH SEE TABLE

Customer Drawing

REVISIONS

| P | LTR | DESCRIPTION | DATE | DWN | APVD |
|---|-----|---------------------------|-----------|-----|------|
| | H | REVISED PER PCN-23-190134 | 29SEP2023 | GB | CB |
| | HI | REVISED PER PCN-23-195010 | 12DEC2023 | AJ | CB |
| | J | REVISED PER PCN-24-228176 | 07MAR2025 | AJ | MB |



| | |
|----------------|----------------|
| TE PART NUMBER | DRAWING NUMBER |
| W4S-ZZ | W4S |

| | | | | |
|--|--|-----------------------------|--|-----------------|
| THIS DRAWING IS A CONTROLLED DOCUMENT. | | DWN X. SANCHEZ 07NOV2001 | STE TE Connectivity | |
| DIMENSIONS: INCHES [mm] | | CHK B. BYFORD 03APR2009 | | |
| TOLERANCES UNLESS OTHERWISE SPECIFIED: | | APVD S. BEARD 14NOV2001 | NAME WEDGE LOCK FOR 4 WAY PLUG DT SERIES | |
| 0 PLC ± | | PRODUCT SPEC 108-151009 | RESTRICTED TO - | |
| 1 PLC ± | | APPLICATION SPEC 114-151009 | SIZE A3 | CAGE CODE 00779 |
| 2 PLC ± | | WEIGHT 1.34 g | DRAWING NO G=W4S | SCALE 4:1 |
| 3 PLC ± | | CUSTOMER DRAWING | SHEET 1 | OF 1 |
| 4 PLC ± | | | REV J | |
| ANGLES ± | | | | |
| FINISH - | | | | |
| MATERIAL PBT GF30 ORANGE | | | | |

2. USED WITH DT06-4S-XXXX PLUG (XXXX = ALL MODIFICATIONS).

1. CONSULT FACTORY FOR APPLICATION.