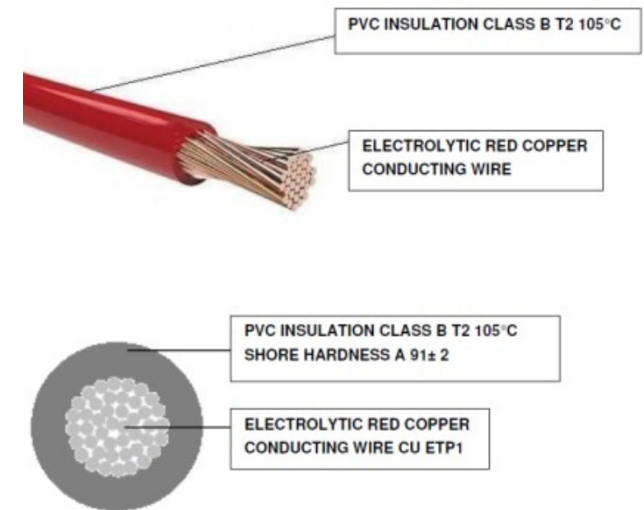


M 22905-C



Caratteristiche CAVO	
Temperatura d'uso	-40 °C / +105 °C (IDLE STATE)
Sezione	0.50 mmq
Colore	Bianco
Documenti di riferimento	ISO 19642 : 2019 / DIN 72551 ISO 6722 CLASS B / LV 112 / ISO 3795 FIAT 91107 / 18 (where applicable) ROHS II/III UN R118
Lunghezza	20 cm
Tipologia	F3T2



CROSS SECTION	COND. CONSTR.	EXT. DIAMETER.	INSUL. MATERIAL	EL. RES. MAX 20°	MAX VOLT.	INSULATION THICKNESS (+)
1 x 1,00	32 x 0,20 ± 0,01 mm	2,10 +0 mm -0,2 mm	PVC T2 HT 105 °C	18,5 OHM/KM	< 300 V	≥ 0,24

Proseguire nella pagina successiva per visualizzare la scheda tecnica dei componenti

Revisione	Prodotto
REV.00 08/04/2026	OEM

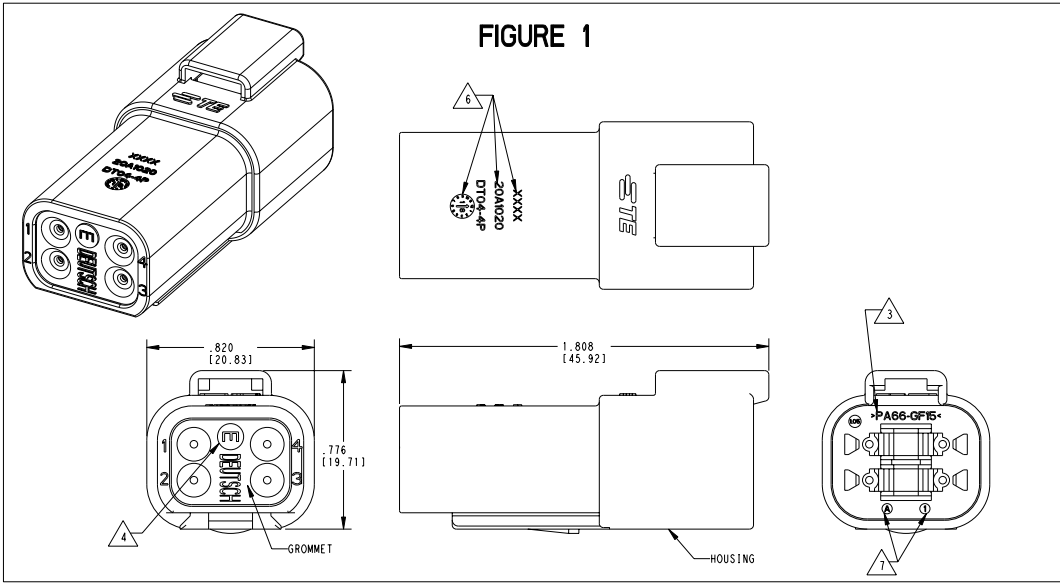


FIGURE 1

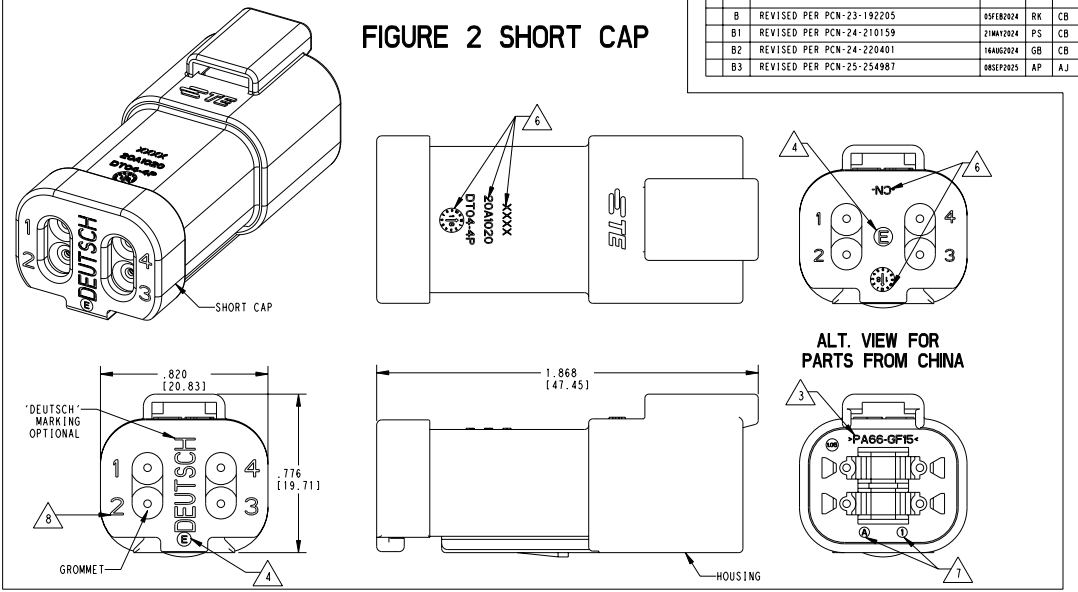


FIGURE 2 SHORT CAP

REVISIONS				
REV	DESCRIPTION	DATE	BY	APP'D
B	REVISED PER PCN-23-192205	05FEB2024	RK	CB
B1	REVISED PER PCN-24-210159	21MAY2024	PS	CB
B2	REVISED PER PCN-24-220401	14MAY2024	GB	CB
B3	REVISED PER PCN-25-254987	04SEP2025	AP	AJ

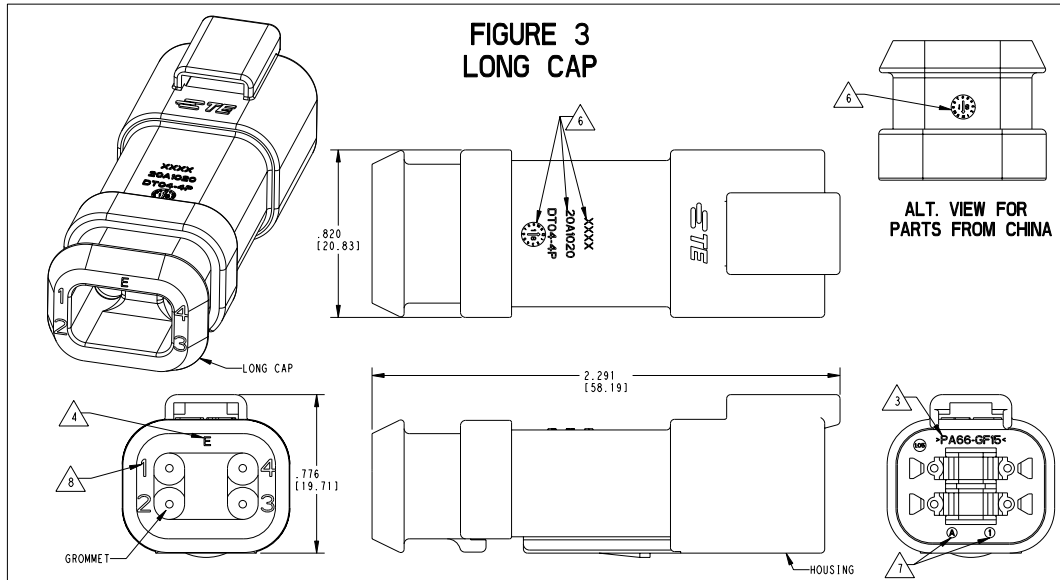
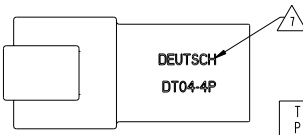


FIGURE 3 LONG CAP



SCALE 2:1
ALT. VIEW FOR PARTS FROM US

CONTACT SIZE	WIRE RANGE	INSULATION OD SEALING RANGE	SEAL IDENTIFICATION
16	14-20 AWG [2.5-0.5mm ²]	.088-.145 [2.23-3.68] .053-.120 [1.35-3.05]	STANDARD SEAL EXTRA THIN SEAL E-SEAL

TE INTERNAL PART NUMBER	DEUTSCH PART NUMBER	PN REV	HOUSING COLOR	STANDARD SEAL	EXTRA THIN SEAL E-SEAL	BLOCKED SEAL	SHORT CAP	LONG CAP	FIGURE
DT04-4P	DT04-4P	A	GRAY	X					1
DT04-4P-C015	DT04-C015	B	GRAY		X				1
DT04-4P-C017	DT04-4P-C017	C	GRAY			X	X		2
DT04-4P-CE01	DT04-4P-CE01	C	GRAY		X		X		2
DT04-4P-CE02	DT04-4P-CE02	B	BLACK		X				1
DT04-4P-CE03	DT04-4P-CE03	B	BLACK		X		X		2
DT04-4P-CE04	DT04-4P-CE04	C	GRAY		X			X	3
DT04-4P-CE09	DT04-4P-CE09	B	BLACK		X			X	3
DT04-4P-CE26	DT04-4P-CE26	A	BLACK			X	X		2
DT04-4P-E003	DT04-4P-E003	B	GRAY	X			X		2
DT04-4P-E004	DT04-4P-E004	A	BLACK	X					1
DT04-4P-E005	DT04-4P-E005	A	BLACK	X			X		2
DT04-4P-E008	DT04-4P-E008	C	GRAY	X				X	3
DT04-4P-EE01	DT04-4P-EE01	A	BLACK	X				X	3
DT04-4P-EP04	DT04-4P-EP04	C	GRAY	X			X		2
DT04-4P-P004	DT04-4P-P004	B	GRAY	X					1
1-2448112-1	DT04-4P-TE09	A	BROWN		X				1
1-2448112-2	DT04-4P-TE03	A	GREEN		X				1
1-2448112-3	DT04-4P-TE07	A	BLUE		X				1
2-2448112-1	DT04-4P-TN09	A	BROWN	X					1
2-2448112-2	DT04-4P-TN03	A	GREEN	X					1
2-2448112-3	DT04-4P-TN07	A	BLUE	X					1
3-2448112-1	DT04-4P-EE18	A	BROWN		X		X		2
3-2448112-2	DT04-4P-EE16	A	GREEN		X		X		2
3-2448112-3	DT04-4P-EE17	A	BLUE		X		X		2
4-2448112-1	DT04-4P-EE14	A	BROWN	X			X		2
4-2448112-2	DT04-4P-EE13	A	GREEN	X			X		2
4-2448112-3	DT04-4P-EE06	A	BLUE	X			X		2

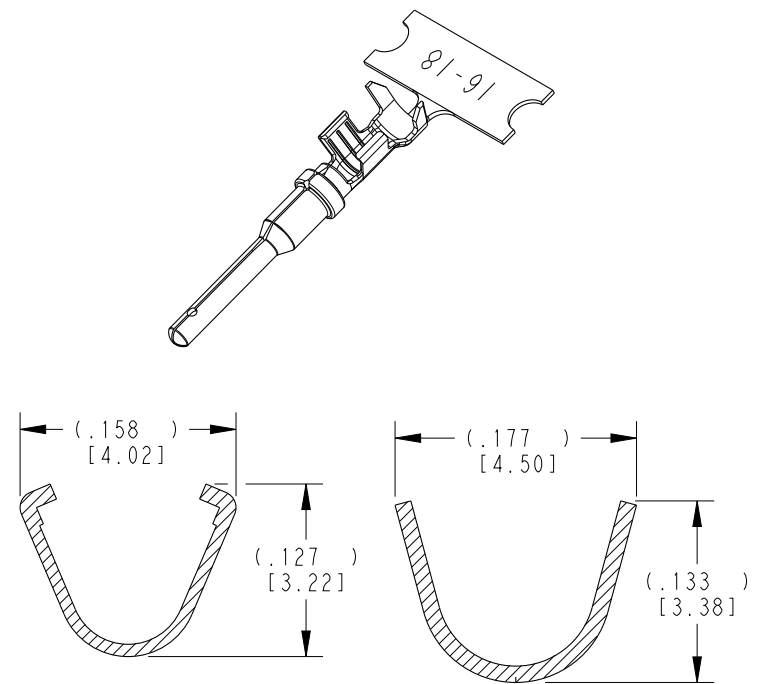
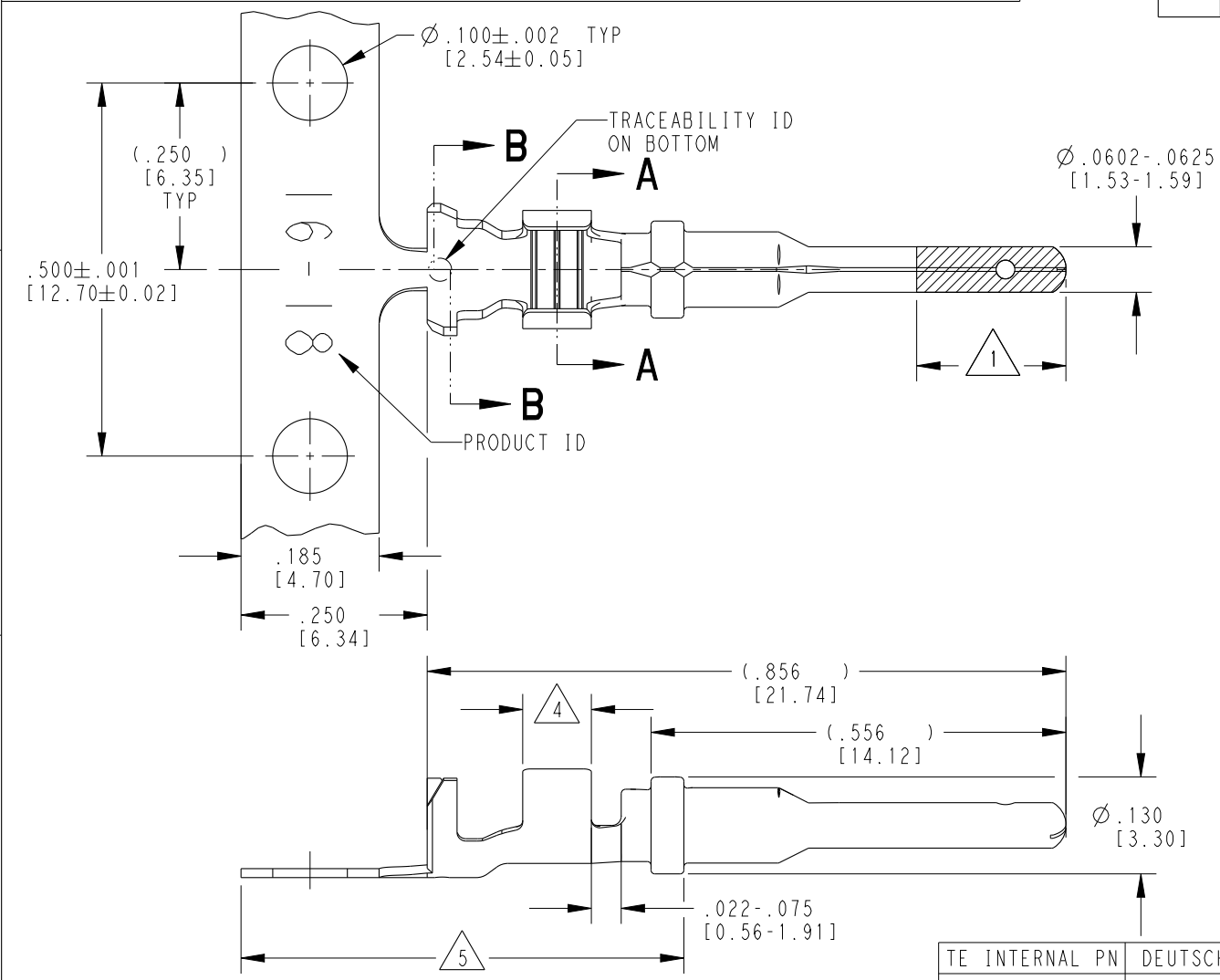
- 4. "E" IDENTIFIES E-SEAL, LOCATED APPROX. AS SHOWN.
 - 3. MATERIAL: HOUSING: PA66 GF15. SEE TABLE FOR COLOR SHORT, LONG CAP: PA66 GF15, BLACK GROMMET: E-SEAL VMO (BURNT RED) N-SEAL VMO (RED-ORANGE) BLOCKED VMO (RED-ORANGE)
 - 2. THIS RECEPTACLE MATES WITH DT06-4S-XXXX PLUG (XXXX = ALL MODIFICATIONS)
 - 1. SECONDARY WEDGE LOCK SOLD SEPARATELY: W4PX-XXXX. (X = A,B,C,D REV, XXXX = ALL MODIFICATIONS)
- 6. MARKING FOR PARTS PRODUCED IN CHINA:
 - XXXX IDENTIFIES THE MODIFICATION NUMBER. IF APPLICABLE. EXAMPLE: "E003" FOR DT04-4P-E003, OR BLANK FOR DT04-4P
 - DATE CODE: IDENTIFIES THE YEAR, MONTH, DAY AND HOUR OF ASSEMBLY. YEAR: FIRST AND SECOND DIGIT; (17 = 2017) MONTH: THIRD DIGIT, EXCLUDING 1, A = JAN, B = FEB, C = MARCH ... (K = OCTOBER) DAY: FOURTH AND FIFTH DIGITS (14 = 14th DAY) HOUR: SIXTH AND SEVENTH DIGITS (11 = 11AM)
 - DIAL DATE CODE LOCATED ON HOUSING AND/OR CAP. -CN LOCATED ON HOUSING AND/OR CAP.
 - 9. FOR ALL ID MARKINGS SURROUNDING THE PART, ORIENTATION IS SHOWN FOR REFERENCE ONLY AND DOES NOT AFFECT FUNCTIONALITY PROVIDED THE MARKINGS ARE IN THE CORRECT POSITION. SIZE AND LOCATION ARE APPROXIMATE, AS SHOWN.
 - 5. FOR CONTACT AND WIRE PERFORMANCE AND APPLICATION CHARACTERISTICS SEE CUSTOMER DRAWING 0425-015-0000.
 - 8. BLOCKED SEAL CONNECTORS (EXAMPLE: C017) WILL NOT HAVE THE TERMINAL CAVITY IDENTIFICATION MARKINGS ON THEIR CAPS.
 - 7. MARKING FOR PARTS PRODUCED IN US:
 - DATE CODE: YEAR TO BE LAST NUMERICAL DIGIT, EX: 1 = 2021 MONTH USES SEQUENTIAL ALPHA CHARACTERS, EX: A = JANUARY -DEUTSCH

THIS DRAWING IS A CONTROLLED DOCUMENT. DWG NO. 14DEC2021. CA. POLO. R. MESSENGER. 14DEC2021. GRANTCHAROVA. PRODUCT SPEC. 108-151009. APPLICATION SPEC. 114-151009. MATERIAL: 3. FINISH: 4. RIGHT. CUSTOMER DRAWING. SCALE: 3:1. SHEET: 1 OF 1. REV: B.3

TE Connectivity
4 WAY RECEPTACLE, STANDARD SEAL, EXTRA THIN SEAL, SHORT AND LONG CAP, DT SERIES
SIZE: 44F08. CASE CODE: DT04-4P-XXXX

THIS DRAWING IS UNPUBLISHED. RELEASED FOR PUBLICATION 2020
 © COPYRIGHT 2020 BY TE CONNECTIVITY ALL RIGHTS RESERVED.

P	LTR	DESCRIPTION	DATE	DWN	APVD
K		REVISED PER PCN E-20-008101	12JUN2020	DM	DM
L		REVISED PER PCN-21-121539	08DEC2021	MK	DM
L1		REVISED PER PCN-21-121539	04FEB2022	MK	DM
L2		REVISED PER PCN-25-234384	30JAN2025	RK	CB



- 5 TIN PLATING MAY BE IN THIS REGION.
- 4 TIN PLATED REGION.
- 3 MATERIAL: .012 [0.30] THICK COPPER ALLOY
- 2. WIRE RANGE: 18 AWG TO 14 AWG [0.75-2.0 mm²]
INSULATION RANGE: Ø .075-.140 [Ø 1.91-3.56]
- 1 GOLD PLATED REGION.

NOTES: UNLESS OTHERWISE SPECIFIED

TE INTERNAL PN	DEUTSCH PN	REV	PLATING
1060-16-0122	1060-16-0122	S	Ni/Cu overall, Sn/Ni/Cu Wire Barrel
1060-16-0144	1060-16-0144	S	Selective Au, Ni/Cu overall, Sn/Ni/Cu Wire Barrel
1060-16-0177	1060-16-0177	S	Sn/Ni/Cu overall

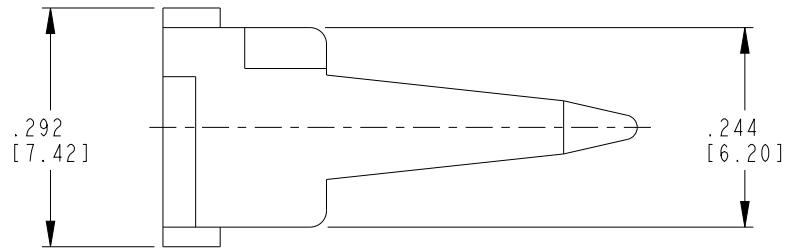
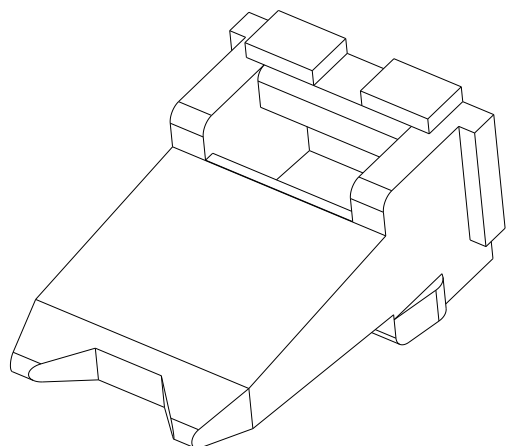
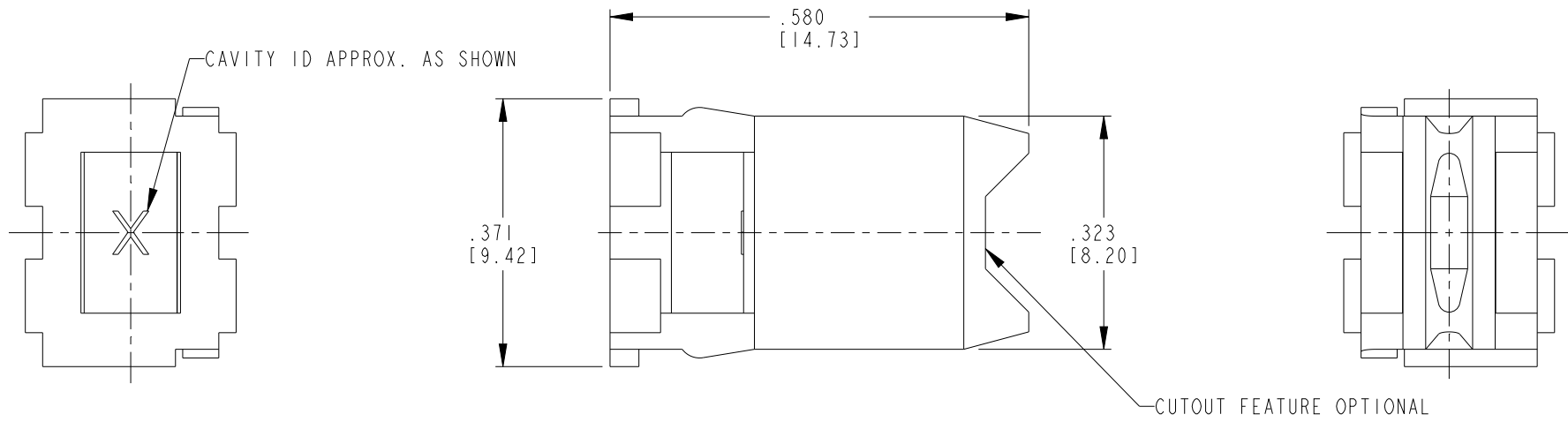
THIS DRAWING IS A CONTROLLED DOCUMENT.

DIMENSIONS: INCHES [mm]	TOLERANCES UNLESS OTHERWISE SPECIFIED: 0 PLC ± 1 PLC ± 2 PLC ± 3 PLC ±.025 [0.64] 4 PLC ± ANGLES ±	DWN M. BLUM 04NOV1999 CHK A. ROLINSKI 08DEC2000 APVD R. REED 08DEC2000 PRODUCT SPEC 108-151000 APPLICATION SPEC 114-151000 WEIGHT 0.33 g	TE Connectivity NAME PIN, STAMPED CONTACT SIZE 16 14-18 AWG, .075-.140 INS SIZE A3 CAGE CODE 4AFU8 DRAWING NO. C=1060-16-01XX RESTRICTED TO - SCALE 6:1 SHEET 1 OF 1 REV L2
----------------------------	--	---	--


MATERIAL 3 FINISH SEE TABLE

THIS DRAWING IS UNPUBLISHED. RELEASED FOR PUBLICATION 2014
 © COPYRIGHT 2014 TE CONNECTIVITY ALL RIGHTS RESERVED.

LOC	DIST	REVISIONS					
		P	LTR	DESCRIPTION	DATE	DWN	APVD
-	-		NC	NEW RELEASE PER EO A09299	2/9/90	CW	JA
			A	REVISED PER EO P15887	2/15/99	ST	RDR
			B	REVISED PER ECO-14-003390	3/26/14	RLM	DM
			G	REVISED PER PCN-23-190134	29SEP2023	GB	CB



1. USED WITH DT04-4P-XXXX (XXXX = ALL MODIFICATIONS). CONSULT FACTORY FOR MODIFICATION AND APPLICATION.

THIS DRAWING IS A CONTROLLED DOCUMENT.		DWN R. MESSENGER 08JAN2014	 TE Connectivity		
DIMENSIONS: INCHES [mm]		CHK R. MESSENGER 09JAN2014			
TOLERANCES UNLESS OTHERWISE SPECIFIED:		APVD D. MEYER 20FEB2014	NAME WEDGE LOCK 4 WAY RECEPTACLE DT SERIES		
0 PLC ±. 1 PLC ±. 2 PLC ±. 3 PLC ±.025 [0.64] 4 PLC ±. ANGLES ±°30'0"		PRODUCT SPEC 108-151009	RESTRICTED TO -		
MATERIAL PBT GF30 GREEN		APPLICATION SPEC 114-151009	SIZE A3	CAGE CODE 4AFU8	DRAWING NO. C=W4P
FINISH -		WEIGHT 0.48 g	CUSTOMER DRAWING		SCALE 6:1
		SHEET 1 OF 1		REV G	