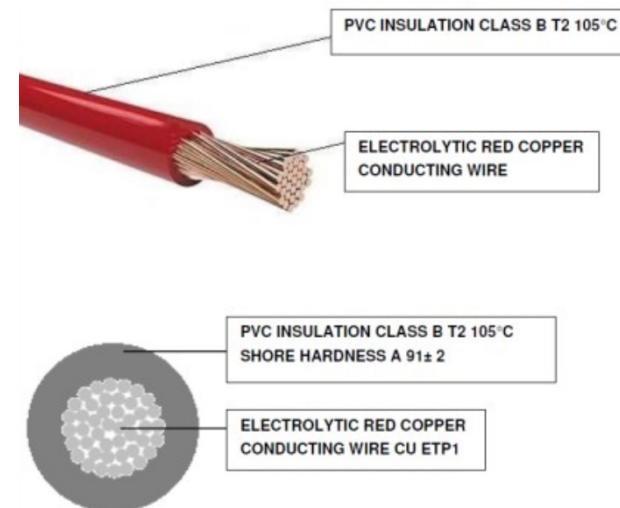


M 22906-C



Caratteristiche CAVO	
Temperatura d'uso	-40 °C / +105 °C (IDLE STATE)
Sezione	0.50 mmq
Colore	Bianco
Documenti di riferimento	ISO 19642 : 2019 / DIN 72551 ISO 6722 CLASS B / LV 112 / ISO 3795 FIAT 91107 / 18 (where applicable) ROHS II/III UN R118
Lunghezza	20 cm
Tipologia	F3T2



CROSS SECTION	COND. CONSTR.	EXT. DIAMETER.	INSUL. MATERIAL	EL. RES. MAX 20°	MAX VOLT.	INSULATION THICKNESS (+)
1 x 1,00	32 x 0,20 ± 0,01 mm	2,10 +0 mm -0,2 mm	PVC T2 HT 105 °C	18,5 OHM/KM	< 300 V	≥ 0,24

Proseguire nella pagina successiva per visualizzare la scheda tecnica dei componenti

Revisione	Prodotto
REV.00 08/04/2026	OEM

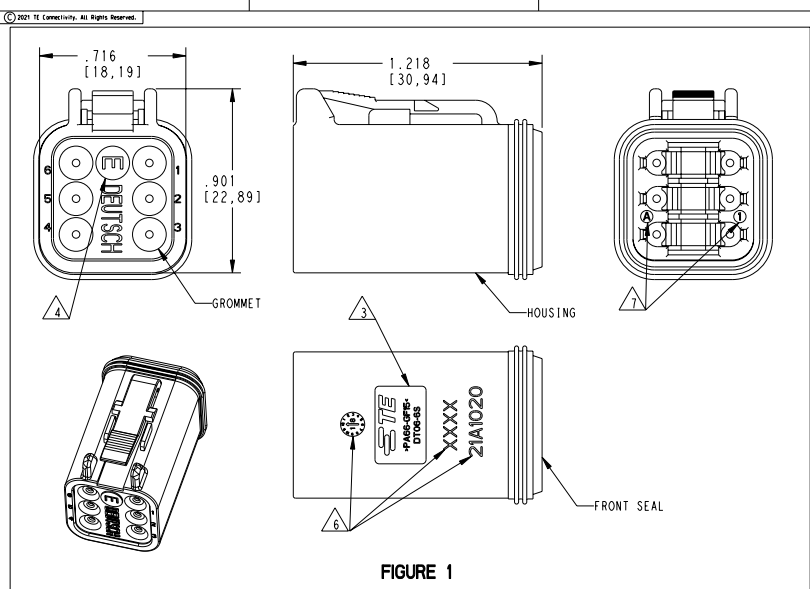


FIGURE 1

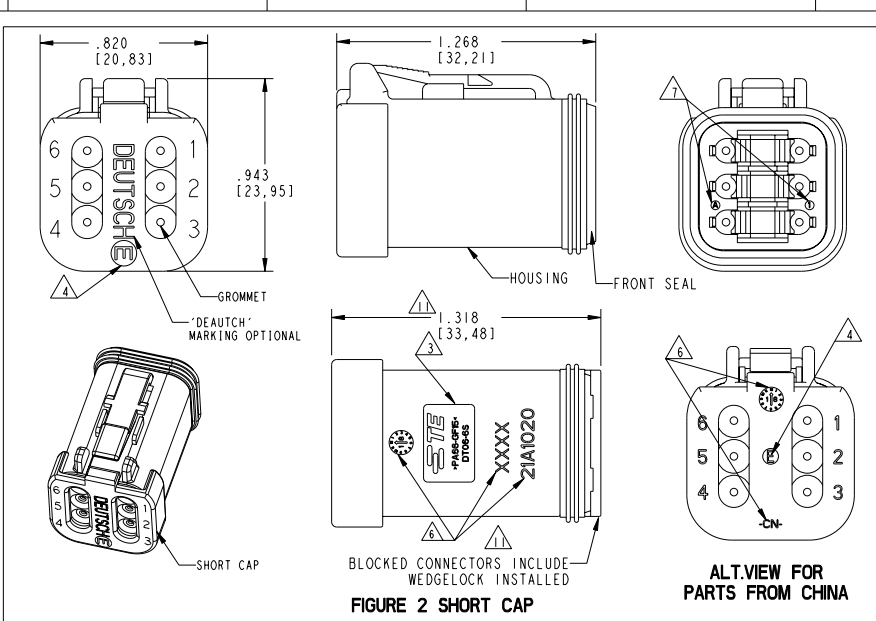


FIGURE 2 SHORT CAP

REVISIONS				
REV	DESCRIPTION	DATE	BYN	APPD
B1	REVISED PER PCN-24-210159	20MAY2024	PS	CB
B2	REVISED PER PCN-24-226098	20MAY2024	PS	CB
B3	REVISED PER PCN-25-254987	08SEP2025	AP	AJ
B4	REVISED PER PCN-25-266370	24NOV2025	RT	EC

CONTACT SIZE	WIRE RANGE	INSULATION OD SEALING RANGE	SEAL IDENTIFICATION
16	14-20 AWG [2.5-0.5 mm]	.088-.145 [2.23-3.68]	STANDARD SEAL
		.053-.120 [1.35-3.05]	EXTRA THIN SEAL E-SEAL

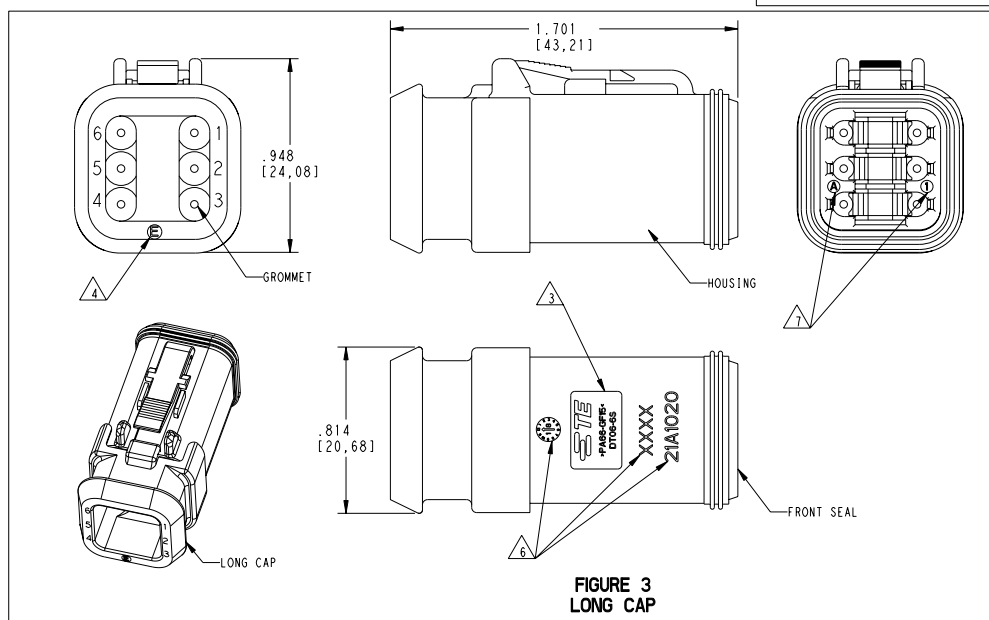


FIGURE 3 LONG CAP

TE INTERNA PART NUMBER	DEUTSCH PART NUMBER	PN REV	HOUSING COLOR	STANDARD SEAL	EXTRA THIN SEAL E-SEAL GROMMET	BLOCKED SEAL	SHORT CAP	LONG CAP	FIGURE
DT06-6S	DT06-6S	A	GRAY	X					1
DT06-6S-C015	DT06-6S-C015	B	GRAY		X				1
DT06-6S-C017	DT06-6S-C017	B	GRAY			X			2
DT06-6S-CE01	DT06-6S-CE01	C	GRAY		X		X		2
DT06-6S-CE02	DT06-6S-CE02	B	BLACK		X				1
DT06-6S-CE03	DT06-6S-CE03	B	BLACK		X		X		2
DT06-6S-CE04	DT06-6S-CE04	B	GRAY		X			X	3
DT06-6S-CE05	DT06-6S-CE05	C	BLACK		X		X		2
DT06-6S-CE06	DT06-6S-CE06	B	BLACK		X				1
DT06-6S-CE11	DT06-6S-CE11	A	BLACK		X		X		2
DT06-6S-CE13	DT06-6S-CE13	B	BLACK		X			X	3
DT06-6S-E003	DT06-6S-E003	B	GRAY	X			X		2
DT06-6S-E004	DT06-6S-E004	A	BLACK	X					1
DT06-6S-E005	DT06-6S-E005	A	BLACK	X			X		2
DT06-6S-E008	DT06-6S-E008	B	GRAY	X				X	3
DT06-6S-EP04	DT06-6S-EP04	C	GRAY	X			X		2
DT06-6S-EP06	DT06-6S-EP06	B	BLACK	X			X		2
DT06-6S-EP11	DT06-6S-EP11	B	BLACK	X				X	3
DT06-6S-P004	DT06-6S-P004	B	GRAY	X					1
DT06-6S-P012	DT06-6S-P012	A	BLACK	X					1
1-2448106-1	DT06-6S-TE09	A	BROWN		X				1
1-2448106-2	DT06-6S-TE03	A	GREEN		X				1
1-2448106-3	DT06-6S-TE07	A	BLUE		X				1
2-2448106-1	DT06-6S-TN09	A	BROWN	X					1
2-2448106-2	DT06-6S-TN03	A	GREEN	X					1
2-2448106-3	DT06-6S-TN07	A	BLUE	X					1
3-2448106-1	DT06-6S-EE18	A	BROWN		X		X		2
3-2448106-2	DT06-6S-EE16	A	GREEN		X		X		2
3-2448106-3	DT06-6S-EE17	A	BLUE		X		X		2
4-2448106-1	DT06-6S-EE14	A	BROWN	X			X		2
4-2448106-2	DT06-6S-EE13	A	GREEN	X			X		2
4-2448106-3	DT06-6S-EE06	A	BLUE	X			X		2

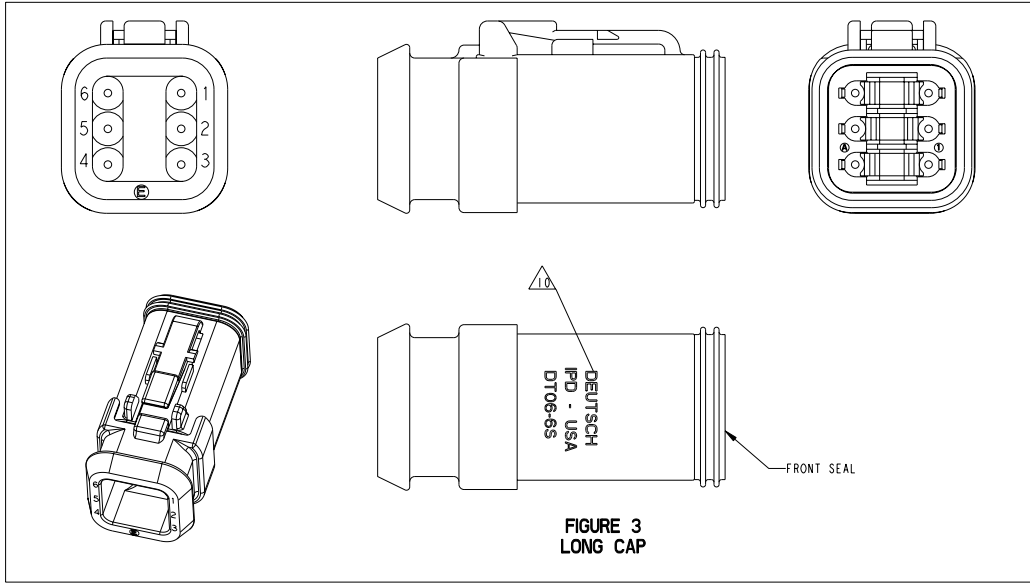
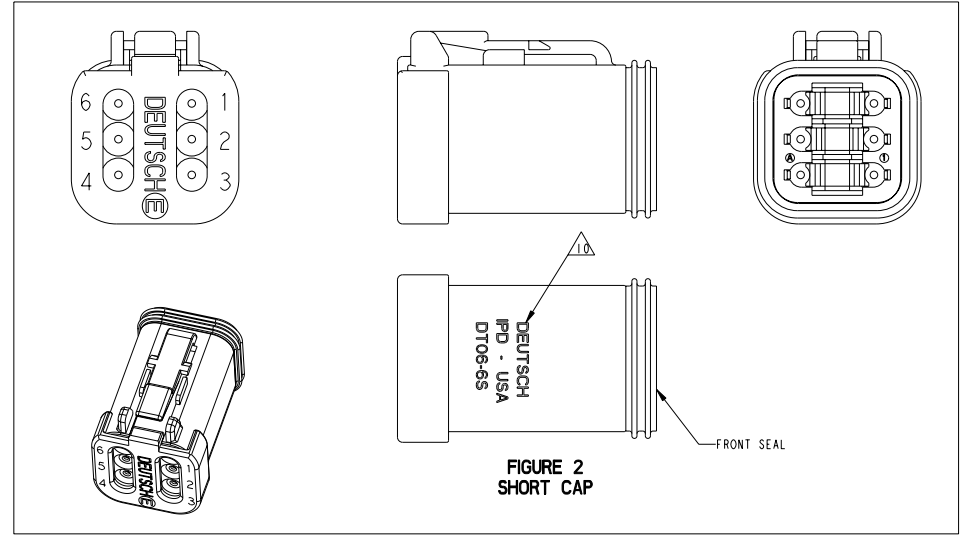
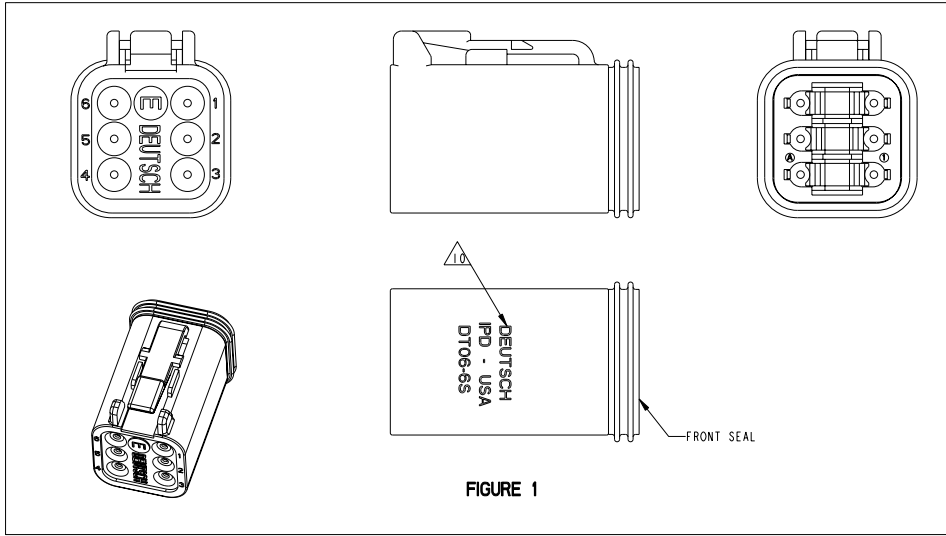
- ④ "E" IDENTIFIES E-SEAL, LOCATED APPROX. AS SHOWN.
- ③ MATERIAL: HOUSING: PA66 GF15, SEE TABLE FOR COLOR SHORT, LONG CAP: PA66 GF15, BLACK GROMMET: E-SEAL VMO (BURNT RED) N-SEAL VMO (RED-ORANGE) BLOCKED VMO (RED-ORANGE) FRONT SEAL: VMO (RED-ORANGE).
- 2. THIS PLUG MATES WITH DT06-6P-XXXX RECEPTACLE. (XXXX = ALL MODIFICATION)
- 1. SECONDARY WEDGE LOCK SOLD SEPARATELY: W6S-XXXX. (X = A, B, C, D KEY, XXXX = ALL MODIFICATIONS) W6S OR W6S-P012 MAY BE USED WITH THESE PLUGS. W6S-P012 IS RECOMMENDED.

- ⑥ MARKING FOR PARTS PRODUCED IN CHINA:
 - XXXX IDENTIFIES THE MODIFICATION NUMBER, IF APPLICABLE. EXAMPLE: "E003 FOR DT06-6S-E003, OR BLANK FOR DT06-6S
 - DATE CODE: IDENTIFIES THE YEAR, MONTH, DAY AND HOUR OF ASSEMBLY. YEAR: FIRST AND SECOND DIGITS. (17 = 2017) MONTH: THIRD DIGIT, EXCLUDING 1. A = JAN, B = FEB, C = MARCH, ... (K = OCTOBER) DAY: FOURTH AND FIFTH DIGITS (14 = 14th DAY) HOUR: SIXTH AND SEVENTH DIGITS (11 = 11AM)
 - DIAL DATE CODE LOCATED ON HOUSING AND/OR CAP. -CN LOCATED ON HOUSING AND/OR CAP.
- 5. FOR CONTACTS AND WIRE PERFORMANCE AND APPLICATION CHARACTERISTICS SEE CUSTOMER DRAWING 0425-015-0000.

- ⑤ CONNECTORS WITH A BLOCKED SEAL INCLUDE THE W6S-P012 WEDGE (GREEN) INSTALLED AS PART OF THE PLUG ASSEMBLY.
- ⑦ MARKING FOR PARTS PRODUCED IN US:
 - DATE CODE: YEAR TO BE LAST NUMERICAL DIGIT, EX: 1=2021 MONTH USES SEQUENTIAL ALPHA CHARACTERS, EX: A=JANUARY

THIS DRAWING IS A CONTROLLED DOCUMENT. OWN: R. MUKESH 21JUL2021
 C/N: R. MESSENGER 21JUL2021
 P/R: GRANTCHAROVA
 PRODUCT SPEC: 108-151009
 APPLICATION SPEC: 114-151009
 DATE: 25 JUL 2021
 DRAWING NO: 44F08
 CUSTOMER DRAWING
 SCALE: 3:1
 SHEET: 1 OF 2
 REV: B.4

REVISIONS			
REV	DESCRIPTION	DATE	BYN
-	SEE SHEET 1	-	-



13. FOR ALL ID MARKINGS SURROUNDING THE PART, ORIENTATION IS SHOWN FOR REFERENCE ONLY AND DOES NOT AFFECT FUNCTIONALITY, PROVIDED THE MARKINGS ARE IN THE CORRECT POSITION. SIZE AND LOCATION ARE APPROXIMATE, AS SHOWN.

CONNECTORS WITH A BLOCKED SEAL (AND DEUTSCH MARKINGS) INCLUDE THE W6S WEDGE (ORANGE) INSTALLED AS PART OF THE PLUG ASSEMBLY.

PARTS IN THE STANDARD TYPE CONFIGURATION WILL HAVE 'DEUTSCH' ID TEXT ON THE HOUSING.

9. SECONDARY WEDGE LOCK SOLD SEPARATELY: W6S OR W6SX (X = A,B,C,D KEY). W6S OR W6SX MUST BE USE WITH THE STANDARD TYPE PLUGS.

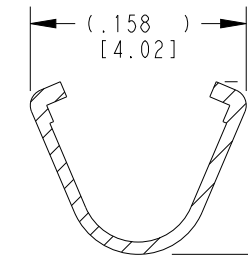
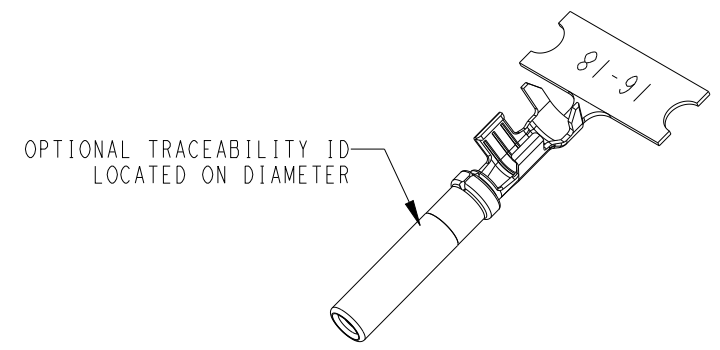
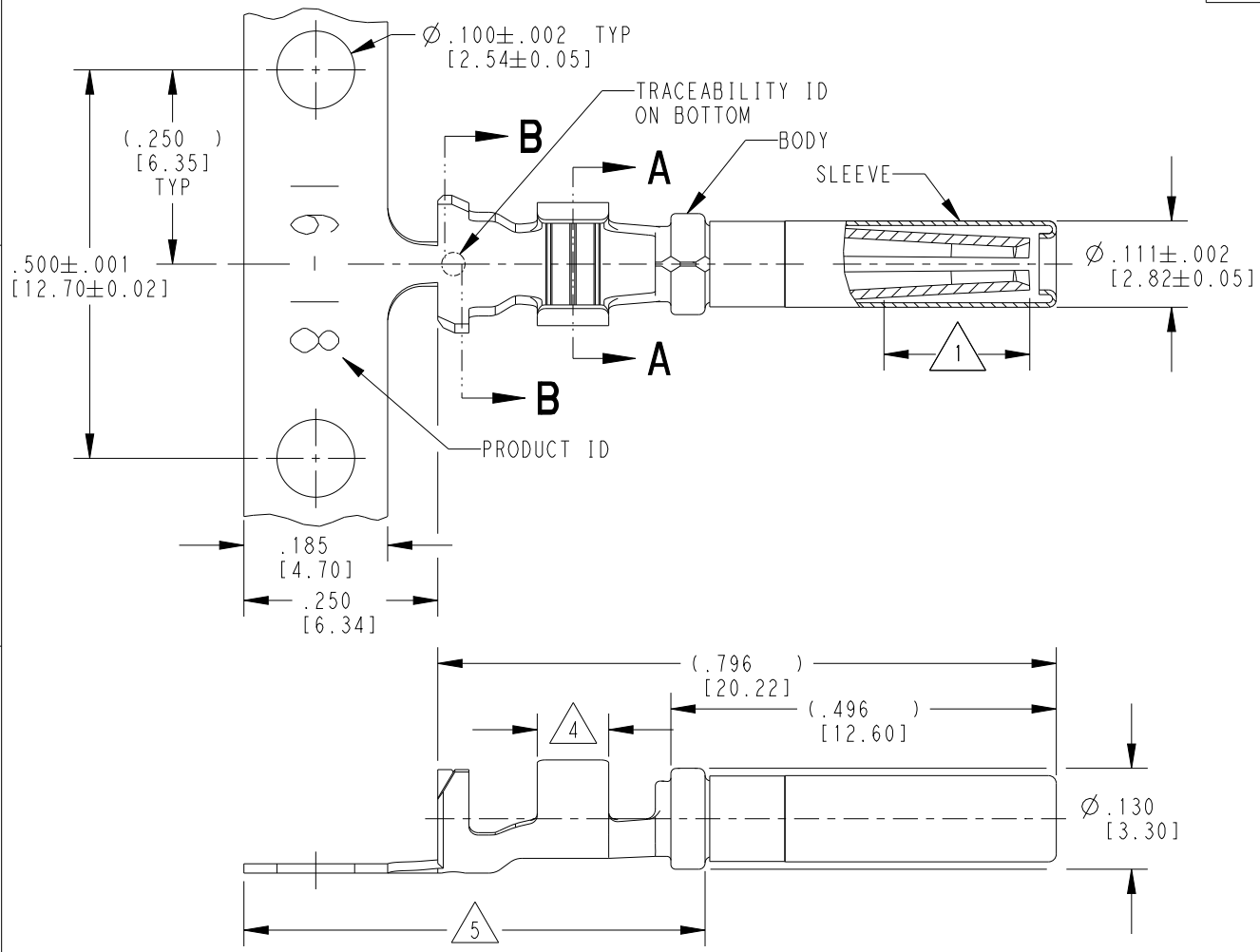
THE AFFECTED PARTS NUMBERS LISTED ARE CHANGING FROM STANDARD TYPE SEAL (SHEET 2) TO RETENTION TYPE SEAL (SHEET 1). PARTS WILL BE SUPPLIED FROM THE NORTH AMERICA REGION IN THE STANDARD TYPE CONFIGURATION UNTIL THE STANDARD TYPE TOOLING REACHES ITS END OF LIFE. PARTS PRODUCED IN CHINA WILL BE RETENTION TYPE ONLY.

AFFECTED PART NUMBERS	PN REV	COLOR	STANDARD SEAL GROMMET	EXTRA THIN SEAL E-SEAL GROMMET	BLOCKED SEAL	SHORT CAP	LONG CAP	FIGURE
DT06-6S	-	GRAY	X					1
DT06-6S-C015	A	GRAY		X				1
DT06-6S-C017	-	GRAY			X	X		2
DT06-6S-CE01	A	GRAY		X		X		2
DT06-6S-CE02	A	BLACK		X				1
DT06-6S-CE03	A	BLACK		X		X		2
DT06-6S-CE04	-	GRAY		X			X	3
DT06-6S-E003	-	GRAY	X			X		2
DT06-6S-E004	-	BLACK	X					1
DT06-6S-E005	-	BLACK	X			X		2
DT06-6S-E008	-	GRAY	X				X	3
DT06-6S-EP04	A	GRAY	X			X		2
DT06-6S-P004	A	GRAY	X					1

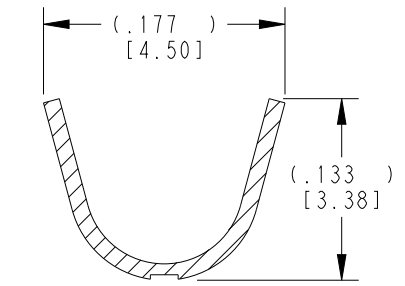
THIS DRAWING IS A CONTROLLED DOCUMENT. OWN: MUKESH 21 JUL 2021. CTR: R. MESSENGER 21 JUL 2021. PRODUCED BY: GRANTCHAROVA. PRODUCT SPEC: 108-151009. APPLICATION SPEC: 118-151009. SIZE: 44F08. DRAWING NO: 44F08. CUSTOMER DRAWING. SCALE: 3:1. SHEET: 2 OF 2. REV: B.4.

THIS DRAWING IS UNPUBLISHED. RELEASED FOR PUBLICATION 2015
 © COPYRIGHT 1999 BY TE CONNECTIVITY ALL RIGHTS RESERVED.

LOC	DIST	REVISIONS			
P	LTR	DESCRIPTION	DATE	DWN	APVD
	K	REVISED PER PCN E-20-008101	12JUN2020	DM	DM
	K1	REVISED PER PCN-22-157823	12OCT2022	SP	DM
	K2	REVISED PER PCN-25-234736	06FEB2025	GB	DM
	L	REVISED PER PCN-25-253652	14AUG2025	RT	DM



SECTION A-A
WIRE BARREL



SECTION B-B
INSULATION BARREL

5 TIN PLATING MAY BE IN THIS REGION.

4 TIN PLATED REGION.

3 MATERIAL:
 BODY: .012 [0.30] THICK COPPER ALLOY
 SLEEVE: STAINLESS STEEL

2. WIRE RANGE: 18 AWG TO 14 AWG [0.75-2.0 mm²]
 INSULATION RANGE: Ø.075-.140 [Ø1.91-3.56]

1 GOLD PLATED REGION.

NOTES: UNLESS OTHERWISE SPECIFIED

TE INTERNAL PN	DEUTSCH PN	REV	PLATING
1062-16-0122	1062-16-0122	L	Ni/Cu overall, Sn/Ni/Cu Wire Barrel
1062-16-0144	1062-16-0144	M	Selective Au, Ni overall, Sn/Ni Wire Barrel
1062-16-0177	1062-16-0177	L	Sn/Ni/Cu overall

THIS DRAWING IS A CONTROLLED DOCUMENT.

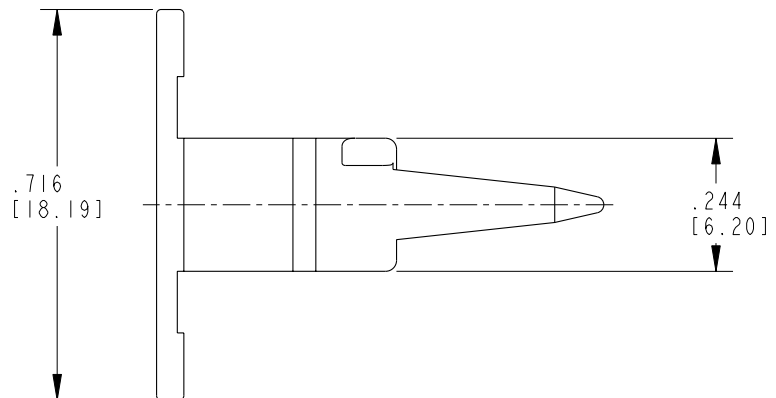
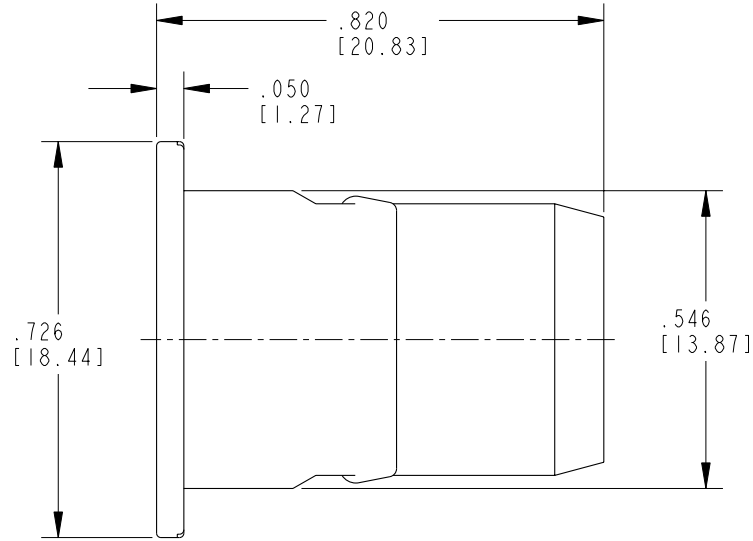
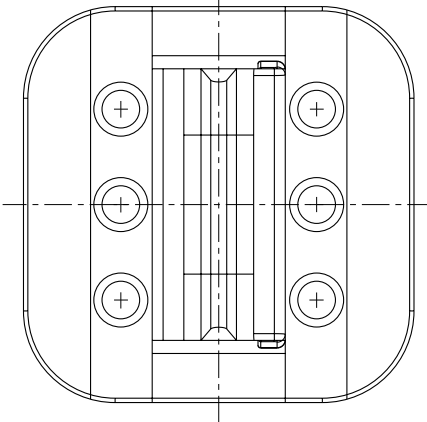
DIMENSIONS: INCHES [mm]	TOLERANCES UNLESS OTHERWISE SPECIFIED: 0 PLC ± 1 PLC ± 2 PLC ± 3 PLC ±.025 [0.64] 4 PLC ± ANGLES ±	DWN M. BLUM 03NOV1999	TE Connectivity	NAME SOCKET, STAMPED CONTACT SIZE 16 14-18 AWG, .075-.140 INS	
	FINISH SEE TABLE	CHK A. ROLINSKI 08DEC2000		SIZE A3	CAGE CODE 4AFU8
		APVD R. REED 08DEC2000		DRAWING NO C=1062-16-01XX	RESTRICTED TO -
MATERIAL 3		PRODUCT SPEC 108-151000		WEIGHT 0.43 g	SCALE 6:1

Customer Drawing SHEET 1 OF 1 REV L

© 2023 TE Connectivity. All Rights Reserved.

REVISIONS					
P	LTR	DESCRIPTION	DATE	DWN	APVD
	E	REVISED PER PCN-23-190134	29SEP2023	GB	CB

printed on 24 Oct 2023 09:51 (Eastern Standard Time) from TE354946



THIS DRAWING IS A CONTROLLED DOCUMENT.		DWN	X. SANCHEZ		07NOV2001													
DIMENSIONS: INCHES [mm]		CHK	-		-													
TOLERANCES UNLESS OTHERWISE SPECIFIED:		APVD	-		-													
<table border="0"> <tr><td>0 PLC</td><td>±</td></tr> <tr><td>1 PLC</td><td>±</td></tr> <tr><td>2 PLC</td><td>±</td></tr> <tr><td>3 PLC</td><td>±.025</td></tr> <tr><td>4 PLC</td><td>±</td></tr> <tr><td>ANGLES</td><td>±-</td></tr> </table>		0 PLC	±	1 PLC	±	2 PLC	±	3 PLC	±.025	4 PLC	±	ANGLES	±-	PRODUCT SPEC	108-151009		NAME WEDGE FOR 6 WAY PLUG COLOR : ORANGE DT SERIES ENVELOPE	
0 PLC	±																	
1 PLC	±																	
2 PLC	±																	
3 PLC	±.025																	
4 PLC	±																	
ANGLES	±-																	
MATERIAL PBT GF30 ORANGE		APPLICATION SPEC	114-151009		SIZE	A3												
FINISH		WEIGHT	-		CAGE CODE	00779												
		CUSTOMER DRAWING; RESTRICTED CUSTOMER		DRAWING NO	G=W6S													
		SCALE 4:1		SHEET	1 OF 1	REV E												

2. USED WITH DT06-6S-XXXX (XXXX = ALL MODIFICATIONS). CONSULT FACTORY FOR MODIFICATIONS AND APPLICATION.

1. CONSULT FACTORY FOR APPLICATION.