

M 22909-K

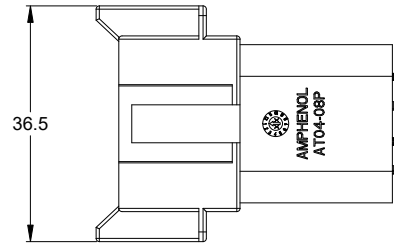


MINIKIT

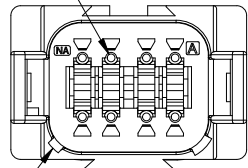
Proseguire nella pagina successiva per visualizzare la scheda tecnica dei componenti

Revisione	Prodotto
REV.00 08/04/2026	OEM

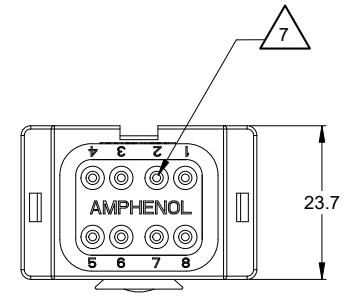
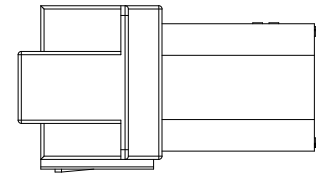
REVISIONS					
REV	ECO	DESCRIPTION	DATE	BY	APPR
A3	-	RELEASE NEW DRAWING FORMAT	27DEC13	JARRY	-
A4	-	REVISED IP RATINGS TO IP68/IP69	12JUN2025	JHEAD	DH
A5	-	ADDED FLAMMABILITY RATING	10OCT2025	JHEAD	DH
A6	-	ADDED DATE CODE FEATURE	17DEC2025	JHEAD	DH



REQUIRES CONTACT RETENTION WEDGE AW8P



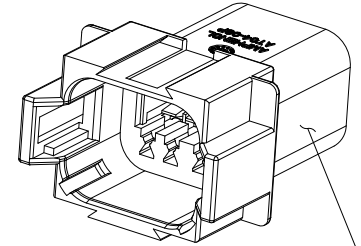
1 KEYWAY (2) PLACES



7

1

REFER TO SHEET 2 FOR AVAILABLE CONNECTOR COLORS



NOTES: UNLESS OTHERWISE SPECIFIED

1 SEE SHEET 2 FOR KEY ARRANGEMENTS AND COLORS.

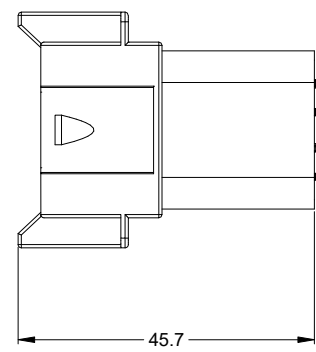
2. MATERIAL:
HOUSING: THERMOPLASTIC
SEAL: SILICONE RUBBER

3. MODIFICATIONS: N/A

4. SPECIFICATIONS:
4.1 CURRENT RATING: 13 AMPS
4.2 OPERATING TEMPERATURE: -55°C TO +125°C
4.3 DIELECTRIC WITHSTANDING VOLTAGE: LESS THAN 2 MILLIAMPS CURRENT LEAKAGE @ 1500 VOLTS AC.
4.4 INSULATION RESISTANCE: 1000 MEGOHMS MIN @ 25°C.
4.5 MOISTURE RESISTANCE: IP68 (1M OF WATER FOR A PERIOD OF 24 HOURS, MATED CONDITION); IP69K(MATED CONDITION)
4.6 MATING CYCLE DURABILITY: 100 CYCLES
4.7 RoHS COMPLIANT
4.8 FLAMMABILITY RATING: UL94-V0

5. MATING PART: AT06-08SX* PLUG
(X = A,B,C,D KEYS; * = MODIFICATIONS AND COLORS)

6. ALL DIMENSIONS ARE FOR REFERENCE USE ONLY.



7 CONTACT SIZE AND REAR SEAL WIRE RANGE:

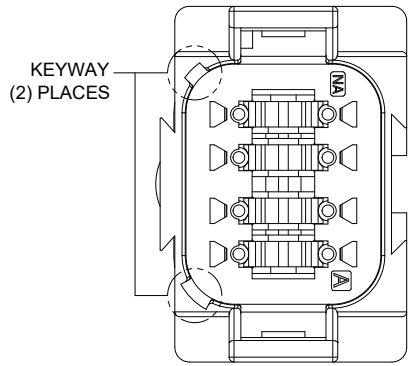
CONTACT SIZE	MIN. INSUL O.D.	MAX. INSUL O.D.	TYPICAL WIRE RANGE
16	2.24 mm (.088 in)	3.68 mm (.145 in)	14 - 20 AWG

QUANTITY	SEE SHEET 2 PART NUMBER	DESCRIPTION	ITEM
		RECEPTACLE, 8 PIN, AT SERIES, KEYS	
MATERIALS LIST			
UNLESS OTHERWISE SPECIFIED 1) All dimensions are in metric(mm). 2) Tolerances are as follows: 1 PL DEC ±0.30 Fractions ±1/64 2 PL DEC ±0.15 Angles ±1° 3 PL DEC ±0.08		SIGNATURES DRAWN: JARRY CHECKED: ENGINEER: APPROVAL:	DATE 27DEC13
MATERIAL SPECIFICATIONS:		CUSTOMER:	
PROCESS SPECIFICATIONS:		THIS DRAWING IS SUPPLIED FOR INFORMATION ONLY. DESIGN FEATURES, SPECIFICATIONS AND PERFORMANCE DATA SHOWN HEREON ARE THE PROPERTY OF THE AMPHENOL CORPORATION. NO RIGHTS OF REPRODUCTION ARE IMPLIED. ALL DIMENSIONS ARE SUBJECT TO NORMAL MANUFACTURING VARIATIONS.	
NEXT ASSY:		SIZE: B C-	TYPE: DWG NO: AT04-08PX-XXX
		SCALE: NONE	REVISION: A6
		SHEET 1 OF 2	

TITLE: RECEPTACLE, 8 PIN, AT SERIES, KEYS
DWG NO.: AT04-08PX-XXX
REV: A6
SH: 1
OF: 2

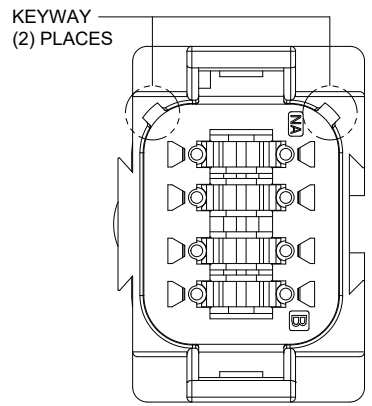
REVISIONS					
REV	ECO	DESCRIPTION	DATE	BY	APPR
A3	-	RELEASE NEW DRAWING FORMAT	27DEC13	JARRY	-
A4	-	REVISED IP RATINGS TO IP68/IP69	12JUN2025	JHEAD	DH
A5	-	ADDED FLAMMABILITY RATING	10OCT2025	JHEAD	DH
A6	-	ADDED DATE CODE FEATURE	17DEC2025	JHEAD	DH

P/N AT04-08P
KEY-A CONFIGURATION
STANDARD COLOR: GREY



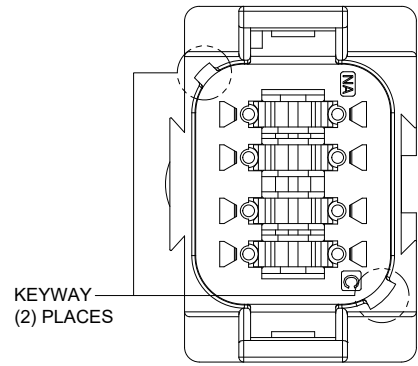
KEY-A CONFIGURATION	
COLOR	PART NUMBER
* GREY	AT04-08PA
BLACK	AT04-08PA-BLK
GREEN	AT04-08PA-GRN
BROWN	AT04-08PA-BRN

P/N AT04-08PB
KEY-B CONFIGURATION
STANDARD COLOR: BLACK



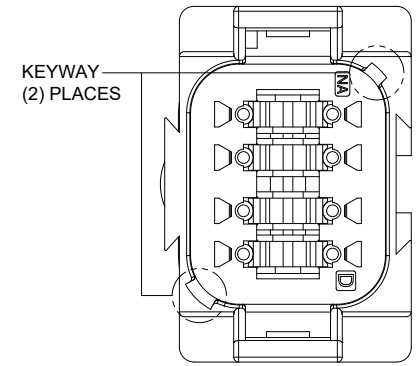
KEY-B CONFIGURATION	
COLOR	PART NUMBER
GREY	AT04-08PB-GRY
* BLACK	AT04-08PB
GREEN	AT04-08PB-GRN
BROWN	AT04-08PB-BRN

P/N AT04-08PC
KEY-C CONFIGURATION
STANDARD COLOR: GREEN



KEY-C CONFIGURATION	
COLOR	PART NUMBER
GREY	AT04-08PC-GRY
BLACK	AT04-08PC-BLK
* GREEN	AT04-08PC
BROWN	AT04-08PC-BRN

P/N AT04-08PD
KEY-D CONFIGURATION
STANDARD COLOR: BROWN



KEY-D CONFIGURATION	
COLOR	PART NUMBER
GREY	AT04-08PD-GRY
BLACK	AT04-08PD-BLK
GREEN	AT04-08PD-GRN
* BROWN	AT04-08PD

NOTE:

AN ASTERISKS (*) PLACED BEFORE THE COLOR DENOTES THE STANDARD MOLDED COLOR OF THE CONNECTORS SHOWN ABOVE.

OTHER COLORS SHOWN ARE AVAILABLE VIA SPECIAL ORDER.

QUANTITY	PART NUMBER	DESCRIPTION	ITEM
MATERIALS LIST			
UNLESS OTHERWISE SPECIFIED 1) All dimensions are in metric(mm). 2) Tolerances are as follows: 1 PL DEC ±0.30 Fractions ±1/64 2 PL DEC ±0.15 Angles ±1° 3 PL DEC ±0.08 3) Note reference =		SIGNATURES DRAWN: JARRY CHECKED: ENGINEER: APPROVAL:	DATE 27DEC13
MATERIAL SPECIFICATIONS:		CUSTOMER:	
PROCESS SPECIFICATIONS:		THIS DRAWING IS SUPPLIED FOR INFORMATION ONLY. DESIGN FEATURES, SPECIFICATIONS AND PERFORMANCE DATA SHOWN HEREON ARE THE PROPERTY OF THE AMPHENOL CORPORATION. NO RIGHTS OF REPRODUCTION ARE IMPLIED. ALL DIMENSIONS ARE SUBJECT TO NORMAL MANUFACTURING VARIATIONS.	
NEXT ASSY:		SCALE: NONE	REVISION: A6
		SIZE: B C-	DWG NO: AT04-08PX-XXX
		SHEET 2 OF 2	

TITLE: RECEPTACLE, 8 PIN, AT SERIES, KEYED
DWG NO: AT04-08PX-XXX
REV: A6
SH: 2
OF: 2

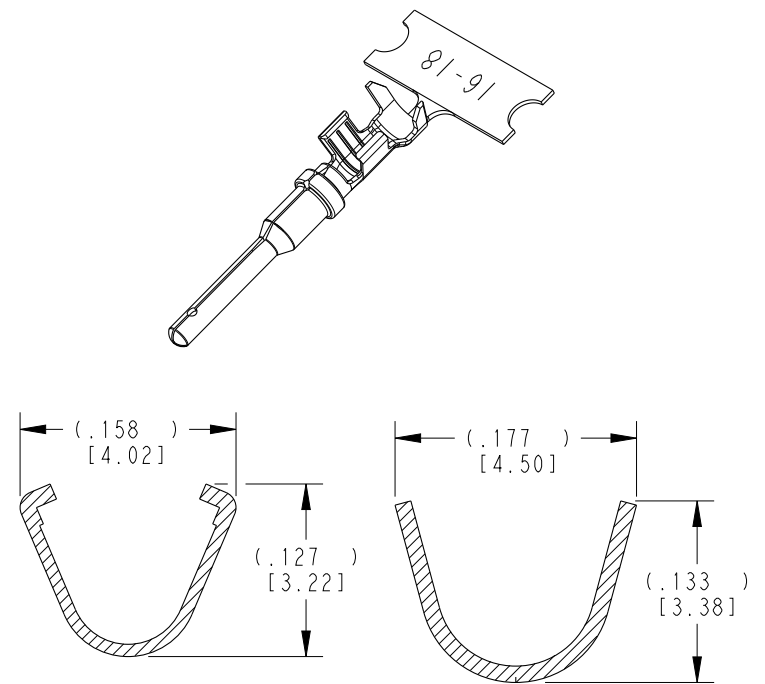
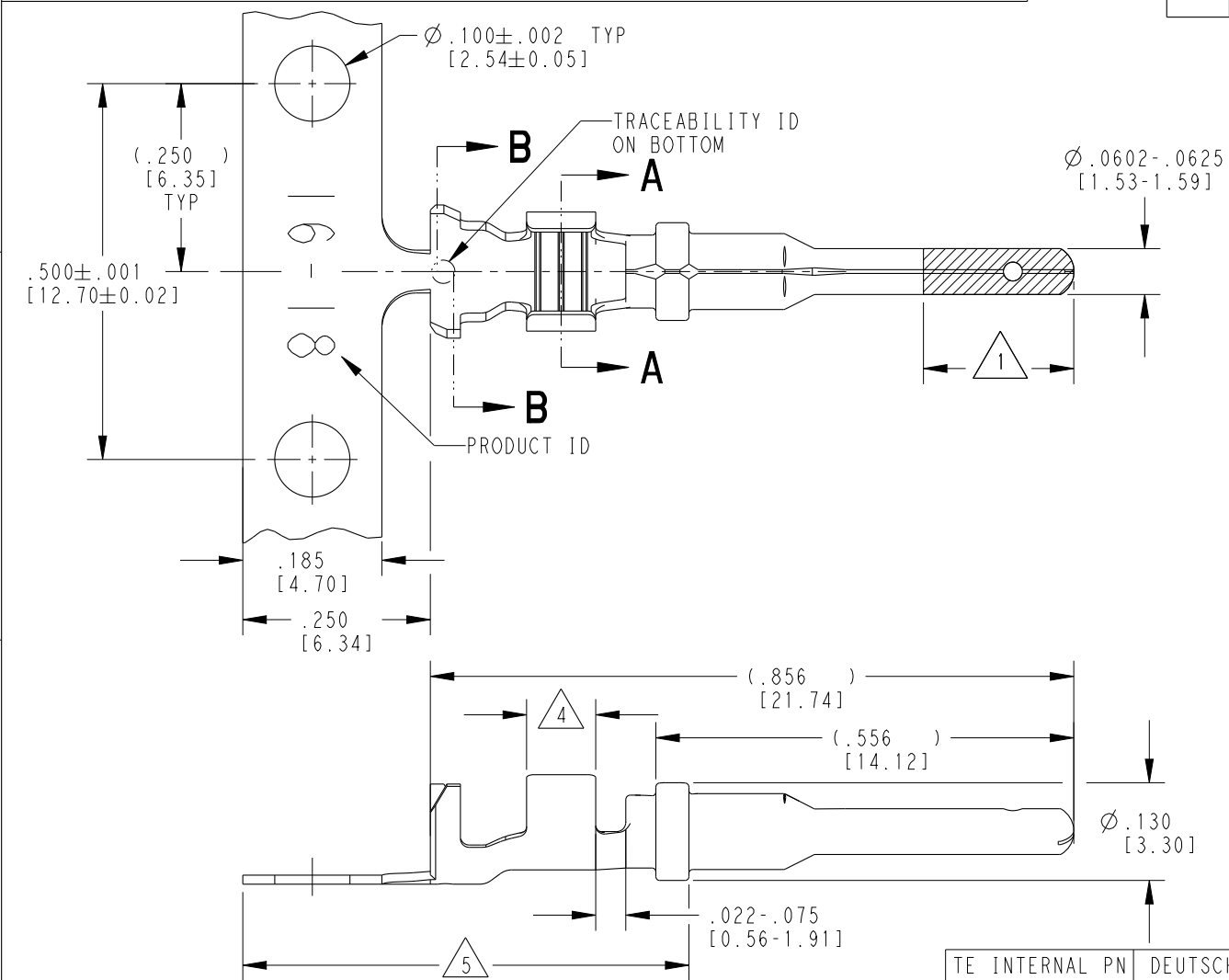
Amphenol

Sine Systems - www.amphenol-sine.com
44724 Morley Drive
Clinton Township, MI 48036

RECEPTACLE, 8 PIN, AT SEIRES
KEYED

THIS DRAWING IS UNPUBLISHED. RELEASED FOR PUBLICATION 2020
 © COPYRIGHT 2020 BY TE CONNECTIVITY ALL RIGHTS RESERVED.

P	LTR	DESCRIPTION	DATE	DWN	APVD
K		REVISED PER PCN E-20-008101	12JUN2020	DM	DM
L		REVISED PER PCN-21-121539	08DEC2021	MK	DM
L1		REVISED PER PCN-21-121539	04FEB2022	MK	DM
L2		REVISED PER PCN-25-234384	30JAN2025	RK	CB



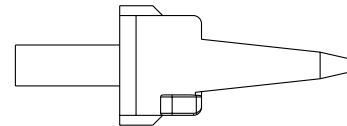
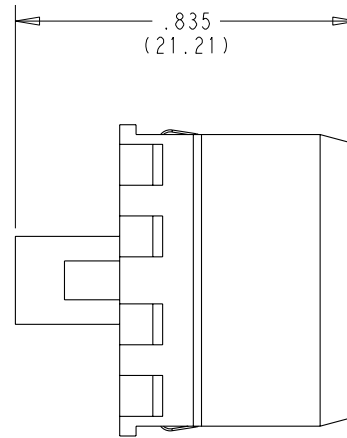
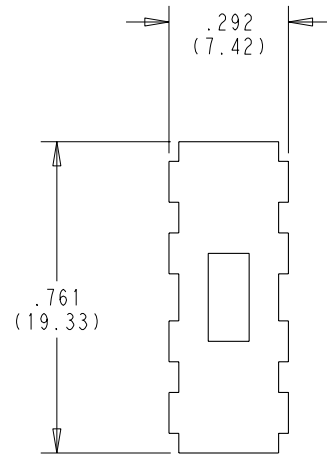
- 5 TIN PLATING MAY BE IN THIS REGION.
- 4 TIN PLATED REGION.
- 3 MATERIAL: .012 [0.30] THICK COPPER ALLOY
- 2. WIRE RANGE: 18 AWG TO 14 AWG [0.75-2.0 mm²]
INSULATION RANGE: Ø .075-.140 [Ø 1.91-3.56]
- 1 GOLD PLATED REGION.

NOTES: UNLESS OTHERWISE SPECIFIED

TE INTERNAL PN	DEUTSCH PN	REV	PLATING
1060-16-0122	1060-16-0122	S	Ni/Cu overall, Sn/Ni/Cu Wire Barrel
1060-16-0144	1060-16-0144	S	Selective Au, Ni/Cu overall, Sn/Ni/Cu Wire Barrel
1060-16-0177	1060-16-0177	S	Sn/Ni/Cu overall

THIS DRAWING IS A CONTROLLED DOCUMENT.		DWN M. BLUM 04NOV1999	TE Connectivity	
DIMENSIONS: INCHES [mm]		CHK A. ROLINSKI 08DEC2000		
TOLERANCES UNLESS OTHERWISE SPECIFIED:		APVD R. REED 08DEC2000	PRODUCT SPEC 108-151000	SIZE A3
0 PLC ± 1 PLC ± 2 PLC ± 3 PLC ±.025 [0.64] 4 PLC ± ANGLES ±		APPLICATION SPEC 114-151000	WEIGHT 0.33 g	CAGE CODE 4AFU8
MATERIAL 3	FINISH SEE TABLE	DRAWING NO C=1060-16-01XX		RESTRICTED TO -
Customer Drawing			SCALE 6:1	SHEET 1 OF 1
			REV L2	

REVISIONS					
P	LTR	DESCRIPTION	DATE	DWN	APVD
	NC	NEW RELEASE PER E.O. A6889	10DEC1987	JA	JA
	A	REVISED AND REDRAWN PER E.O. 111173	19JUL1991	JA	JA
	B	REVISED PER E.O. P15887	15FEB1999	RDR	RDR
	F	REVISED PER PCN-23-190134	05OCT2023	GB	CB



1. THIS WEDGE MATES WITH DT04-08PX-XXXX (X = ALL KEYS, XXXX = ALL MODIFICATIONS).
CONSULT FACTORY FOR MODIFICATIONS.

NOTES:

THIS DRAWING IS A CONTROLLED DOCUMENT.		DWN C. WOODRUFF	15JUL1991		
DIMENSIONS: INCHES [mm]		CHK -	-		
TOLERANCES UNLESS OTHERWISE SPECIFIED:		APVD R. REED	02AUG1999	NAME WEDGE LOCK FOR 8 WAY RECEPTACLE D.T. SERIES	
0 PLC ±- 1 PLC ±- 2 PLC ±- 3 PLC ±.025 [0.63] 4 PLC ±- ANGLES ±-		PRODUCT SPEC 108-151009	APPLICATION SPEC 114-151009	SIZE A3	CAGE CODE 00779
MATERIAL PBT GF30 GREEN	FINISH -	WEIGHT 2 g	DRAWING NO C=W8P	RESTRICTED TO -	
CUSTOMER DRAWING			SCALE 3:1	SHEET 1 OF 1	REV F

Printed on 23 Oct 2023 15:55 (Eastern Standard Time) from TE354946