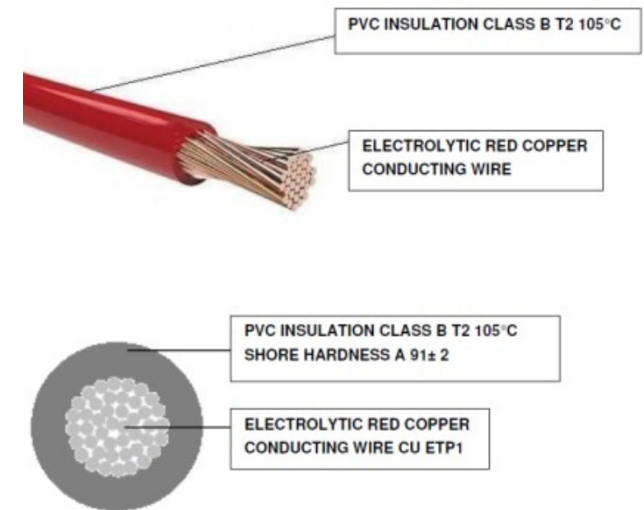


# M 22910-C



Caratteristiche CAVO	
<b>Temperatura d'uso</b>	-40 °C / +105 °C (IDLE STATE)
<b>Sezione</b>	0.50 mmq
<b>Colore</b>	Bianco
<b>Documenti di riferimento</b>	ISO 19642 : 2019 / DIN 72551 ISO 6722 CLASS B / LV 112 / ISO 3795 FIAT 91107 / 18 (where applicable) ROHS II/III UN R118
<b>Lunghezza</b>	20 cm
<b>Tipologia</b>	F3T2



CROSS SECTION	COND. CONSTR.	EXT. DIAMETER.	INSUL. MATERIAL	EL. RES. MAX 20°	MAX VOLT.	INSULATION THICKNESS (+)
1 x 1,00	32 x 0,20 ± 0,01 mm	2,10 +0 mm -0,2 mm	PVC T2 HT 105 °C	18,5 OHM/KM	< 300 V	≥ 0,24

Proseguire nella pagina successiva per visualizzare la scheda tecnica dei componenti

Revisione	Prodotto
REV.00 08/04/2026	OEM

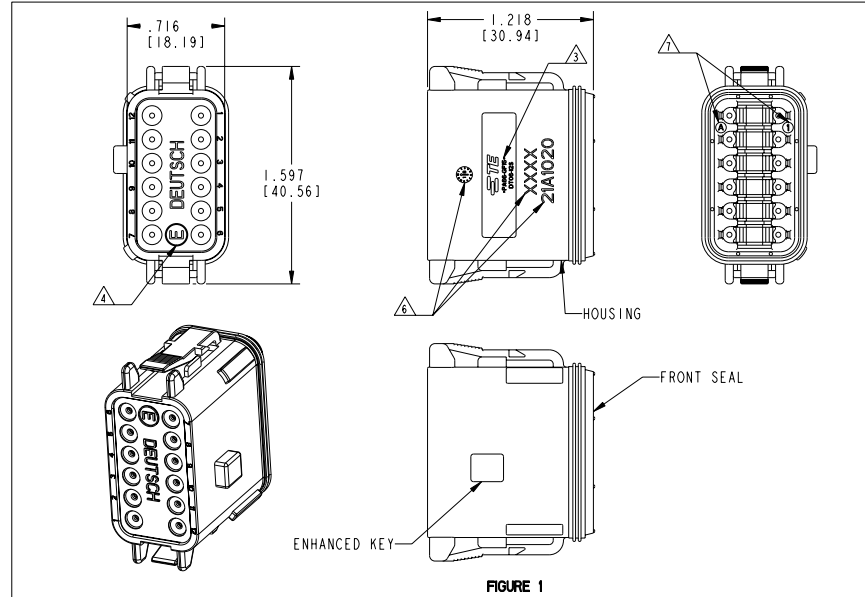


FIGURE 1

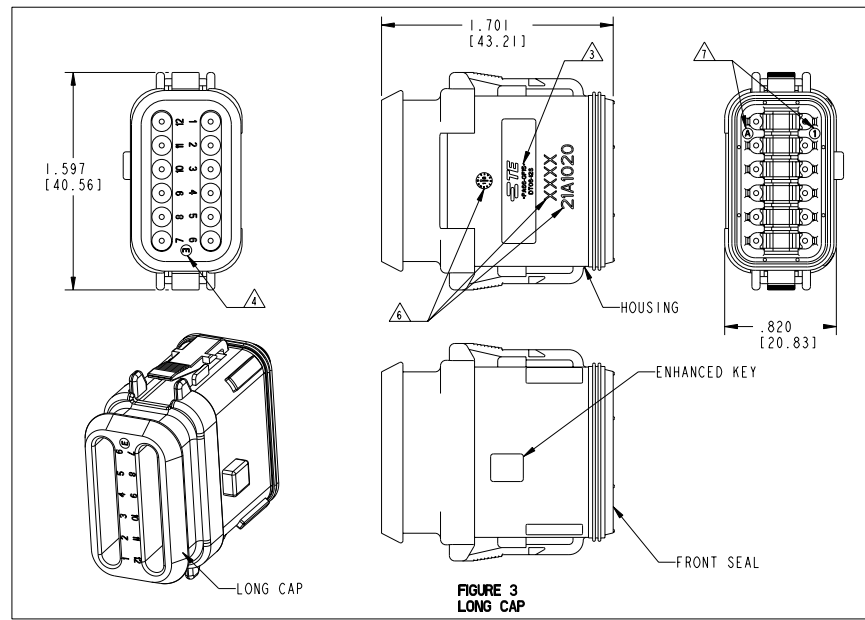


FIGURE 3 LONG CAP

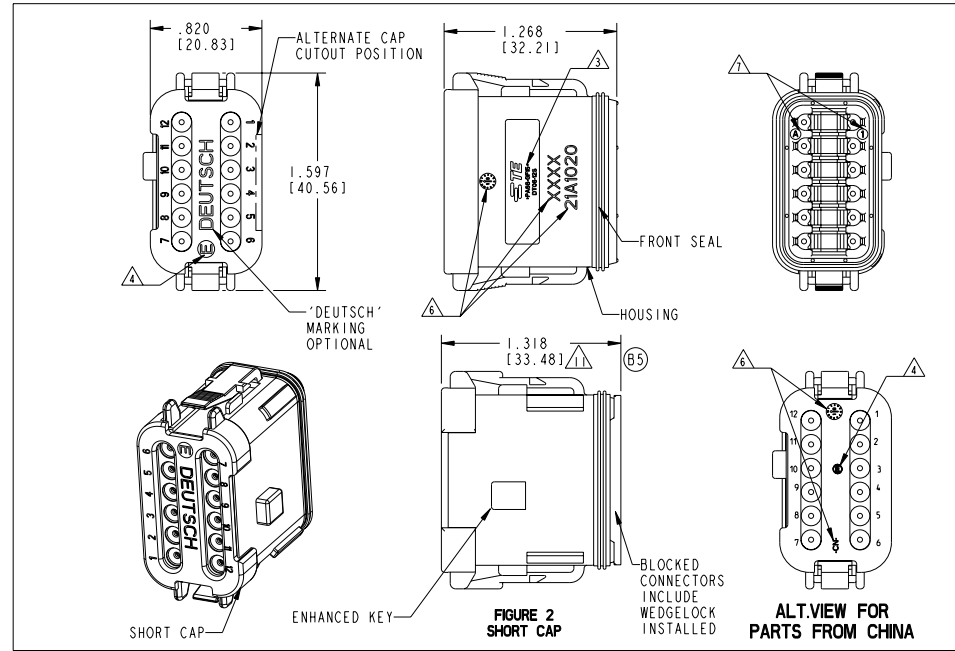


FIGURE 2 SHORT CAP

ALT.VIEW FOR PARTS FROM CHINA

TE INTERNAL PART NUMBER	DEUTSCH PART NUMBER	PN REV	HOUSING COLOR	STANDARD SEAL	EXTRA THIN SEAL	E SEAL	BLOCKED SEAL	ENHANCED KEY	SHORT CAP	LONG CAP	FIGURE
DT06-12SX	DT06-12SX	A	ALL	X							1
DT06-12SX-B016	DT06-12SX-B016	B	ALL	X				X			1
DT06-12SX-BE01	DT06-12SX-BE01	B	ALL	X				X	X		2
DT06-12SX-C015	DT06-12SX-C015	C	ALL		X						1
DT06-12SX-C017	DT06-12SX-C017	B	ALL			X			X		2
DT06-12SX-CE01	DT06-12SX-CE01	D	ALL		X				X		2
DT06-12SA-CE02	DT06-12SA-CE02	B	BLACK	X							1
DT06-12SA-CE03	DT06-12SA-CE03	A	BLACK	X					X		2
DT06-12SX-CE04	DT06-12SX-CE04	C	ALL		X					X	3
DT06-12SX-CE05	DT06-12SX-CE05	C	ALL		X			X	X		2
DT06-12SX-CE06	DT06-12SX-CE06	B	ALL		X			X			1
DT06-12SA-CE10	DT06-12SA-CE10	B	BLACK	X				X			1
DT06-12SA-CE11	DT06-12SA-CE11	B	BLACK	X				X	X		2
DT06-12SA-CE12	DT06-12SA-CE12	B	BLACK	X				X		X	3
DT06-12SX-CE13	DT06-12SX-CE13	C	ALL		X			X		X	3
DT06-12SX-E003	DT06-12SX-E003	C	ALL	X					X		2
DT06-12SA-E005	DT06-12SA-E005	A	BLACK	X							1
DT06-12SX-E008	DT06-12SX-E008	C	ALL	X						X	3
DT06-12SX-EP04	DT06-12SX-EP04	D	ALL	X					X		2
DT06-12SX-EP06	DT06-12SX-EP06	D	ALL	X				X	X		2
DT06-12SA-EP07	DT06-12SA-EP07	A	BLACK	X				X			1
DT06-12SA-EP08	DT06-12SA-EP08	B	BLACK	X				X	X		2
DT06-12SA-EP11	DT06-12SA-EP11	A	BLACK	X				X		X	3
DT06-12SX-EP20	DT06-12SX-EP20	B	ALL	X				X		X	3
DT06-12SA-P004	DT06-12SA-P004	B	GRAY	X							1
DT06-12SB-P004	DT06-12SB-P004	B	BLACK	X							1
DT06-12SX-P012	DT06-12SX-P012	B	ALL	X				X			1

4 "E" IDENTIFIES E-SEAL, LOCATED APPROX. AS SHOWN.  
 5 MATERIAL: HOUSING: PA66 GF15, SEE TABLE FOR COLOR SHORT, LONG CAP: PA66 GF15, BLACK GROMMET: E-SEAL VMO (BURNT RED) N-SEAL VMO (RED-ORANGE) BLOCKED VMO (RED-ORANGE) FRONT SEAL: VMO (RED-ORANGE)  
 2. THIS PLUG MATES WITH DT04-12PX-XXXX RECEPTACLE. (XXXX = ALL MODIFICATION)  
 1. SECONDARY WEDGE LOCK SOLD SEPARATELY: W12S-XXXX. (XXXX = ALL MODIFICATIONS) W12S OR W12S-P012 MAY BE USED WITH THESE PLUGS. W12S-P012 IS RECOMMENDED.  
 NOTE: UNLESS OTHERWISE SPECIFIED

6 MARKING FOR PARTS PRODUCED IN CHINA:  
 -XXXX IDENTIFIES THE MODIFICATION NUMBER, IF APPLICABLE. EXAMPLE: "E003 FOR DT06-12SX-E003, OR BLANK FOR DT06-12SX  
 -DATE CODE: IDENTIFIES THE YEAR, MONTH, DAY AND HOUR OF ASSEMBLY.  
 YEAR: FIRST AND SECOND DIGITS. (17 = 2017)  
 MONTH: THIRD DIGIT, EXCLUDING 1: A = JAN, B = FEB, C = MARCH, ... K = OCTOBER)  
 DAY: FOURTH AND FIFTH DIGITS (14 = 14th DAY)  
 HOUR: SIXTH AND SEVENTH DIGITS (11 = 11AM)  
 -DIAL DATE CODE LOCATED ON HOUSING AND/OR CAP.  
 -CN LOCATED ON HOUSING AND/OR CAP.  
 -MARKINGS MAY BE LOCATED ON EITHER THE FRONT OR BACK SURFACES.  
 5. FOR CONTACTS AND WIRE PERFORMANCE AND APPLICATION CHARACTERISTICS SEE CUSTOMER DRAWING 0425-015-0000.

7 CONNECTORS WITH A BLOCKED SEAL INCLUDE THE W12S-P012 WEDGE (GREEN) INSTALLED AS PART OF THE PLUG ASSEMBLY. BLOCKED SEALS ARE NOT SYMMETRICAL ON BOTH SIDES. ALTHOUGH THEY APPEAR VISUALLY DIFFERENT, EFFECTIVE SEALING IS ACHIEVED ON EITHER SIDE.  
 8 MARKING FOR PARTS PRODUCED IN US:  
 -DATE CODE:  
 YEAR TO BE LAST NUMERICAL DIGIT, EX: 1-2021  
 MONTH USES SEQUENTIAL ALPHA CHARACTERS, EX: A=JANUARY

CONTACT SIZE	WIRE RANGE	INSULATION OD SEALING RANGE	SEAL IDENTIFICATION
16	14-20 AWG [2.5-0.5 mm <sup>2</sup> ]	.088-.145 [2.23-3.68] .053-.120 [1.35-3.05]	STANDARD SEAL EXTRA THIN SEAL E-SEAL

THIS DRAWING IS A CONTROLLED DOCUMENT.

DIMENSIONS: (IN mm)

TOLERANCES UNLESS OTHERWISE SPECIFIED:  
 0 P.L.C.  
 1 P.L.C.  
 2 P.L.C.  
 3 P.L.C.  
 4 P.L.C.  
 5 P.L.C.  
 6 P.L.C.  
 7 P.L.C.  
 8 P.L.C.  
 9 P.L.C.  
 10 P.L.C.  
 11 P.L.C.  
 12 P.L.C.  
 13 P.L.C.  
 14 P.L.C.  
 15 P.L.C.  
 16 P.L.C.  
 17 P.L.C.  
 18 P.L.C.  
 19 P.L.C.  
 20 P.L.C.

TE Connectivity  
 12 WAY PLUG, STANDARD SEAL EXTRA THIN SEAL, SHORT AND LONG CAP DT SERIES  
 SIZE: 16  
 CAGE CODE: 44F08  
 DRAWING NO: DT06-12SX-XXXX  
 RESTRICTED TO: 1 OF 3  
 REV: B5

REVISIONS				
P	LN	DESCRIPTION	DATE	APPV
-	-	SEE SHEET 1	-	-

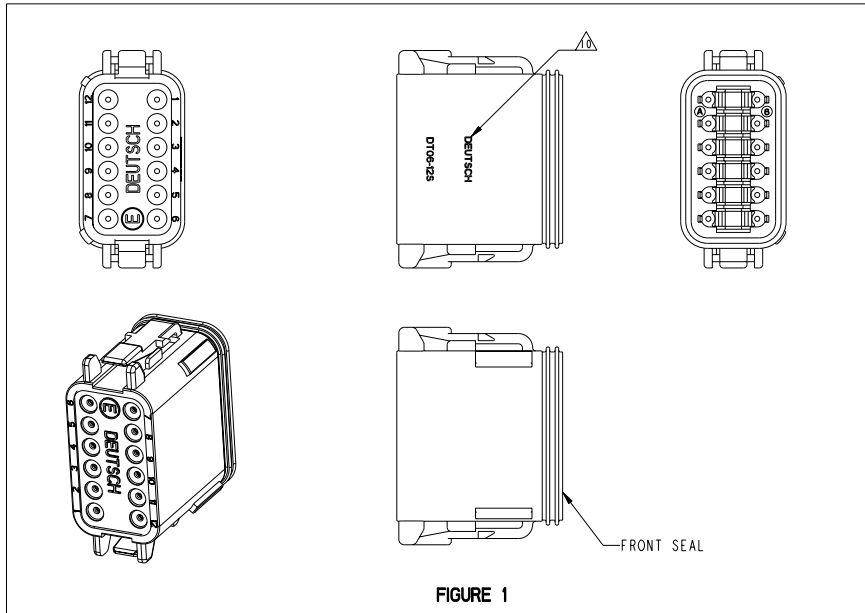


FIGURE 1

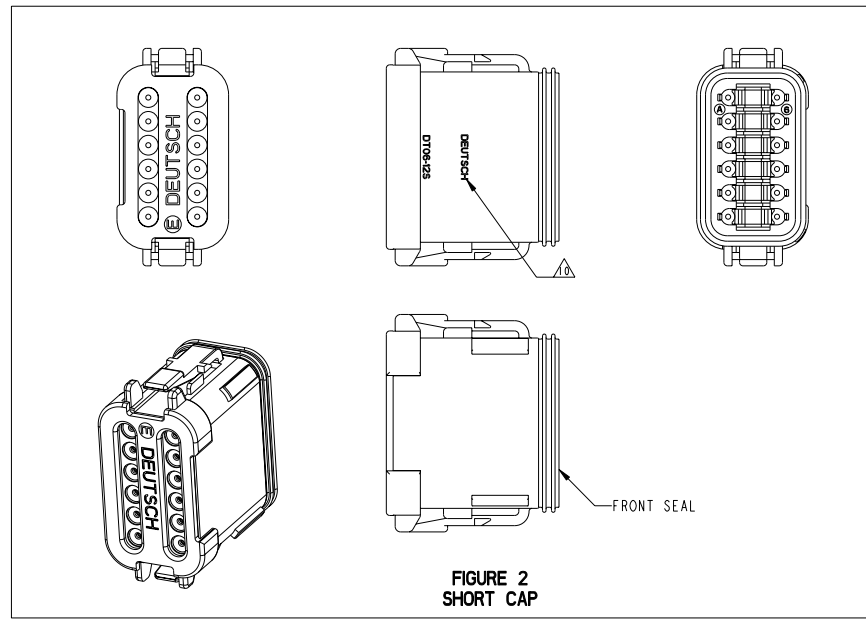


FIGURE 2  
SHORT CAP

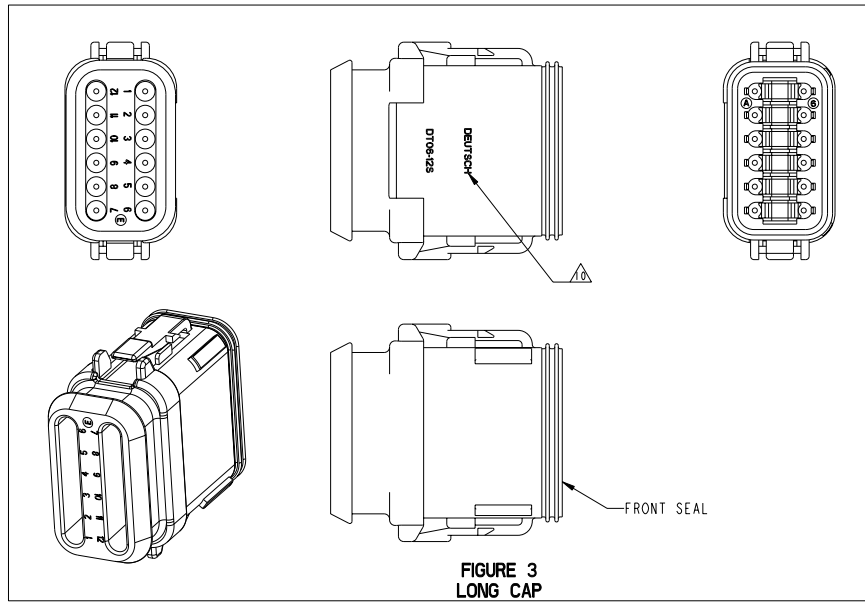


FIGURE 3  
LONG CAP

13. FOR ALL ID MARKINGS SURROUNDING THE PART, ORIENTATION IS SHOWN FOR REFERENCE ONLY AND DOES NOT AFFECT FUNCTIONALITY, PROVIDED THE MARKINGS ARE IN THE CORRECT POSITION. SIZE AND LOCATION ARE APPROXIMATE, AS SHOWN.
- ⚠ CONNECTORS WITH A BLOCKED (AND DEUTSCH MARKINGS) SEAL INCLUDE THE W12S WEDGE (ORANGE) INSTALLED AS PART OF THE PLUG ASSEMBLY. BLOCKED SEALS ARE NOT SYMMETRICAL ON BOTH SIDES. ALTHOUGH THEY APPEAR VISUALLY DIFFERENT, EFFECTIVE SEALING IS ACHIEVED ON EITHER SIDE.
- ⚠ PARTS IN THE STANDARD TYPE CONFIGURATION WILL HAVE 'DEUTSCH' ID TEXT ON THE HOUSING.
9. SECONDARY WEDGE LOCK SOLD SEPARATELY: W12S  
W12S MUST BE USED WITH THE STANDARD TYPE PLUGS.
- ⚠ THE AFFECTED PARTS NUMBERS LISTED ARE CHANGING FROM STANDARD TYPE SEAL (SHEET 2) TO RETENTION TYPE SEAL (SHEET 1). PARTS WILL BE SUPPLIED FROM THE NORTH AMERICA REGION IN THE STANDARD TYPE CONFIGURATION UNTIL THE STANDARD TYPE TOOLING REACHES ITS END OF LIFE. PARTS PRODUCED IN CHINA WILL BE RETENTION TYPE ONLY.

AFFECTED PART NUMBERS	PN REV	HOUSING COLOR	STANDARD SEAL	EXTRA THIN SEAL E-SEAL	BLOCKED SEAL	SHORT CAP	LONG CAP	FIGURE
DT06-12SX	-	ALL	X					1
DT06-12SX-C015	A	ALL		X				1
DT06-12SX-C017	A	ALL			X	X		2
DT06-12SX-CE01	C	ALL		X		X		2
DT06-12SA-CE02	A	BLACK		X				1
DT06-12SA-CE03	-	BLACK		X		X		2
DT06-12SX-CE04	B	ALL		X			X	3
DT06-12SX-E003	B	ALL	X			X		2
DT06-12SA-E005	-	BLACK	X					1
DT06-12SX-E008	B	ALL	X				X	3
DT06-12SX-EP04	C	ALL	X			X		2
DT06-12SX-P004	A	ALL	X					1

THIS DRAWING IS A CONTROLLED DOCUMENT.

DIMENSIONS: (IN mm) 0 P L C 1 P L C 2 P L C 3 P L C 4 P L C ANGLE FINISH	DWG. NO. K. MUKESH DATE 22NOV2021 R. MESSNER DATE 23NOV2021 R. GRANICHAROVA DATE 23NOV2021 PRODUCT SPEC. 108-151009 APPLICATION SPEC 114-151009 HEIGHT	NAME 12 WAY PLUG, STANDARD SEAL EXTRA THIN SEAL, SHORT AND LONG CAP DT SERIES SIZE CAGE CODE DRAWING NO A   4AFU8   C-DT06-12SX-XXXX RESTRICTED TO
--	--	--

CUSTOMER DRAWING SCALE 2:1 SHEET 2 OF 3 REV B5

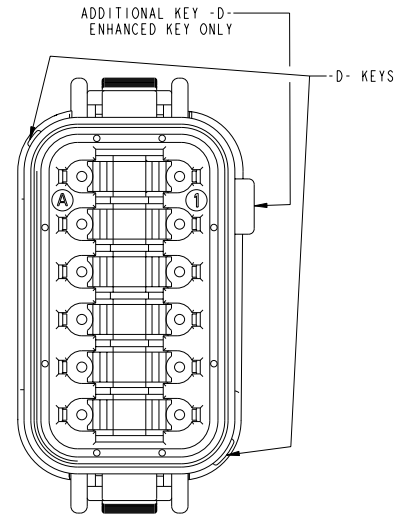
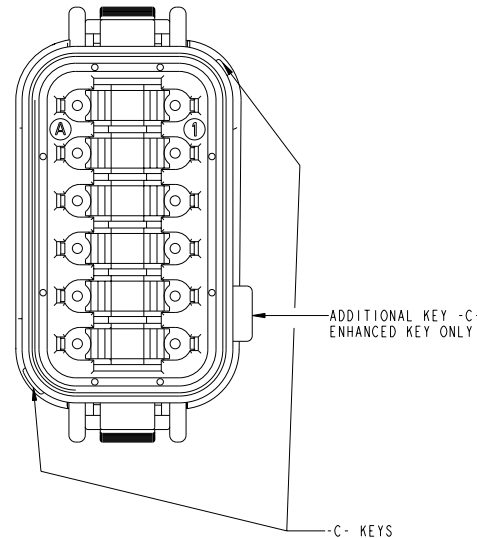
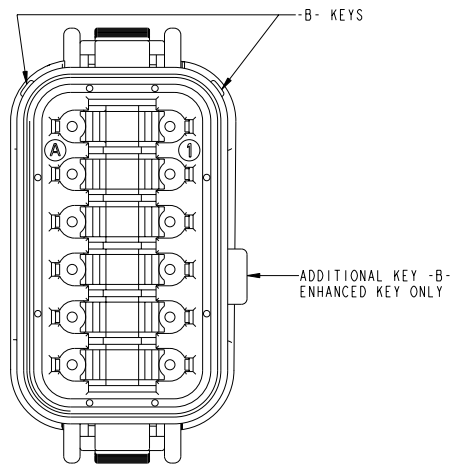
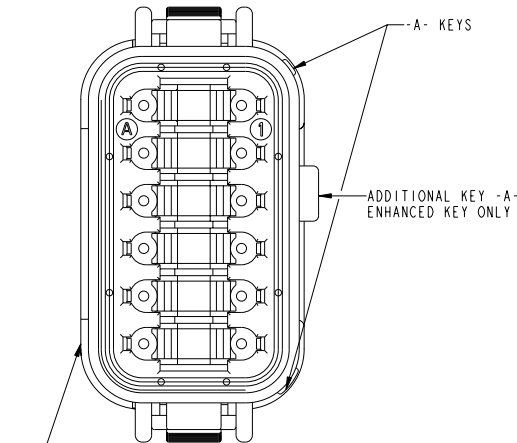
REVISIONS				
P	LYR	DESCRIPTION	DATE	APPD
-		SEE SHEET 1	-	-

DT06-12SA-XXXX  
KEY ARR. -A-  
HOUSING COLOR: GRAY  
SEE PN TABLE FOR BLACK PNs.

DT06-12SB-XXXX  
KEY ARR. -B-  
HOUSING COLOR: BLACK

DT06-12SC-XXXX  
KEY ARR. -C-  
HOUSING COLOR: GREEN

DT06-12SD-XXXX  
KEY ARR. -D-  
HOUSING COLOR: BROWN

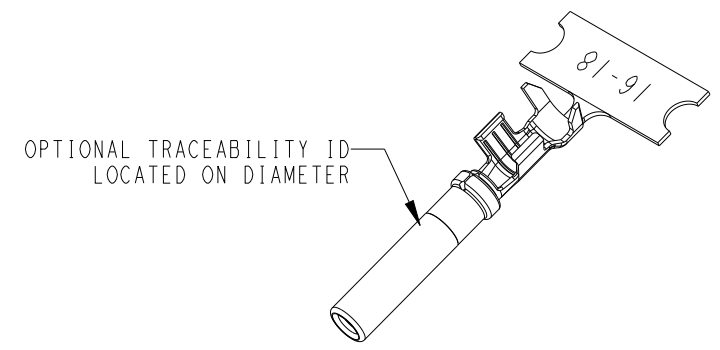
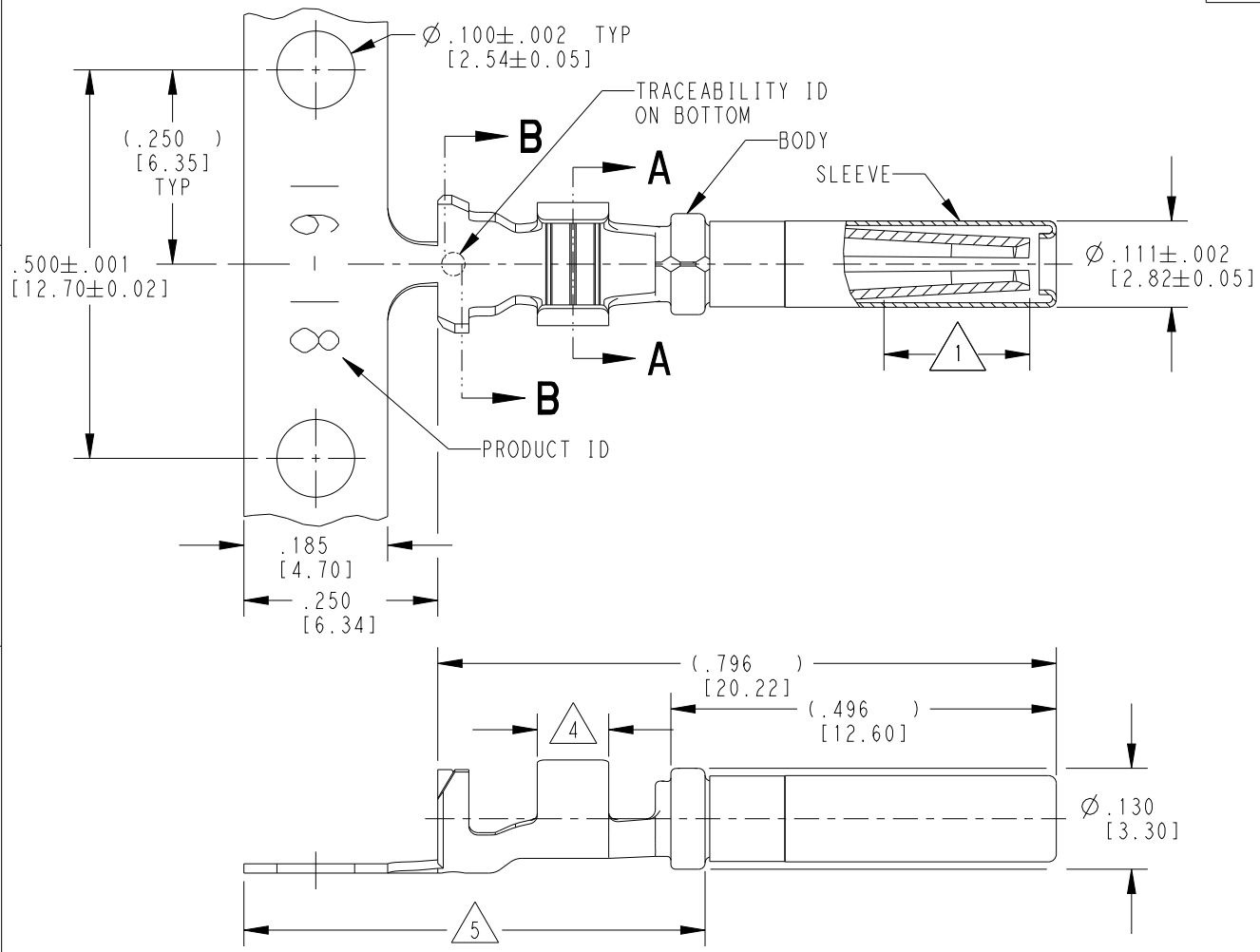


ALTERNATE CAP  
CUTOUT POSITION  
SHORT CAP ONLY  
ALL KEYS

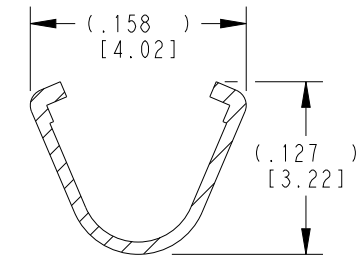
THIS DRAWING IS A CONTROLLED DOCUMENT.		DRN M. MURESH	22NOV2021		TE Connectivity
DIMENSIONS: [IN(mm)]		REV R. MESSENGER	23NOV2021		
TOLERANCES UNLESS OTHERWISE SPECIFIED:		APPD I. GRANICHAROVA	23NOV2021	12 WAY PLUG, STANDARD SEAL EXTRA THIN SEAL, SHORT AND LONG CAP DT SERIES	
D. PLC R: -		NAME			
E. PLC R: 1.00-151009		PRODUCT SPEC			
F. PLC R: 0.02510.641		APPLICATION SPEC			
FINISH		SIZE	CAGE CODE	DRAWING NO	RESTRICTED TO
		A1	4AFU8	DT06-12SX-XXXX	
CUSTOMER DRAWING		SCALE	2:1	SHEET	3 OF 3
				REV	5

THIS DRAWING IS UNPUBLISHED. RELEASED FOR PUBLICATION 2015  
 © COPYRIGHT 1999 BY TE CONNECTIVITY ALL RIGHTS RESERVED.

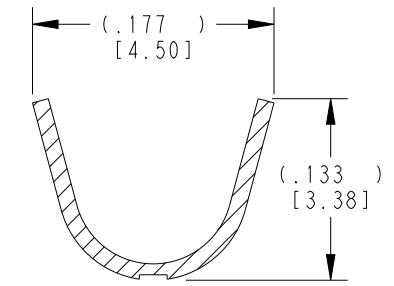
LOC	DIST	REVISIONS			
P	LTR	DESCRIPTION	DATE	DWN	APVD
	K	REVISED PER PCN E-20-008101	12JUN2020	DM	DM
	K1	REVISED PER PCN-22-157823	12OCT2022	SP	DM
	K2	REVISED PER PCN-25-234736	06FEB2025	GB	DM
	L	REVISED PER PCN-25-253652	14AUG2025	RT	DM



OPTIONAL TRACEABILITY ID LOCATED ON DIAMETER



**SECTION A-A**  
WIRE BARREL



**SECTION B-B**  
INSULATION BARREL

5 TIN PLATING MAY BE IN THIS REGION.

4 TIN PLATED REGION.

3 MATERIAL:  
 BODY: .012 [0.30] THICK COPPER ALLOY  
 SLEEVE: STAINLESS STEEL

2. WIRE RANGE: 18 AWG TO 14 AWG [0.75-2.0 mm<sup>2</sup>]  
 INSULATION RANGE:  $\phi$ .075-.140 [ $\phi$ 1.91-3.56]

1 GOLD PLATED REGION.

NOTES: UNLESS OTHERWISE SPECIFIED

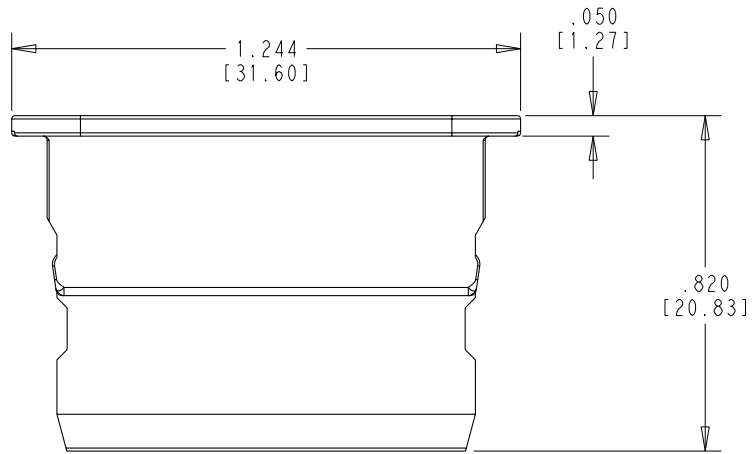
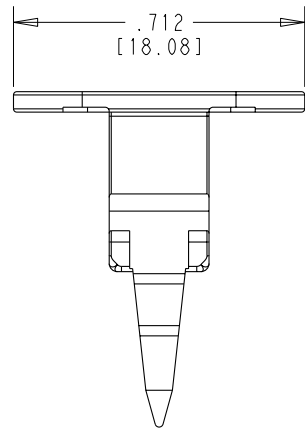
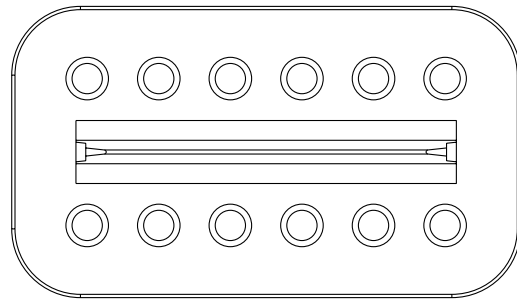
TE INTERNAL PN	DEUTSCH PN	REV	PLATING
1062-16-0122	1062-16-0122	L	Ni/Cu overall, Sn/Ni/Cu Wire Barrel
1062-16-0144	1062-16-0144	M	Selective Au, Ni overall, Sn/Ni Wire Barrel
1062-16-0177	1062-16-0177	L	Sn/Ni/Cu overall

THIS DRAWING IS A CONTROLLED DOCUMENT.		DWN M. BLUM 03NOV1999	TE Connectivity	
DIMENSIONS: INCHES [mm]		CHK A. ROLINSKI 08DEC2000		
TOLERANCES UNLESS OTHERWISE SPECIFIED:		APVD R. REED 08DEC2000	SIZE A3	CAGE CODE 4AFU8
0 PLC ± 1 PLC ± 2 PLC ± 3 PLC ±.025 [0.64] 4 PLC ± ANGLES ±		PRODUCT SPEC 108-151000	DRAWING NO C=1062-16-01XX	RESTRICTED TO -
MATERIAL 3		APPLICATION SPEC 114-151000	SCALE 6:1	
FINISH SEE TABLE		WEIGHT 0.43 g	SHEET 1 OF 1	
		Customer Drawing	REV L	

© 2023 TE Connectivity. All Rights Reserved.

REVISIONS

P	LTR	DESCRIPTION	DATE	DWN	APVD
C		REVISED/REDRAWN PER E.O. P17352	23JUL2001	RDR	RDR
D		REVISED PER E.O. P18147	27MAY2003	RDR	RDR
E		REVISED PER E.O. P19120	16DEC2005	RDR	RDR
G		REVISED PER PCN-23-190134	05OCT2023	GB	CB



1. THIS WEDGE MATES WITH DT06-12SX-XXXX (X = ALL KEYS, XXXX = ALL MODIFICATIONS). CONSULT FACTORY FOR MODIFICATIONS.

NOTES:

THIS DRAWING IS A CONTROLLED DOCUMENT.		DWN	11JUL2001							
DIMENSIONS: INCHES [mm]		CHK	X. SANCHEZ			<b>WEDGE LOCK FOR 12 WAY PLUG DT. SERIES</b>				
		APVD	-							
		PRODUCT SPEC	108-151009							
TOLERANCES UNLESS OTHERWISE SPECIFIED:		APPLICATION SPEC	114-151009		SIZE		CAGE CODE	DRAWING NO	RESTRICTED TO	
0 PLC ±- 1 PLC ±- 2 PLC ±- 3 PLC ±.025 [0.64] 4 PLC ±- ANGLES ±-		WEIGHT	2 g		A3	00779	C=W12S	-		
MATERIAL PBT GF30 ORANGE		FINISH	-		CUSTOMER DRAWING			SCALE 3:1	SHEET 1 OF 1	REV G

printed on 23 Oct 2023 15:55 (Eastern Standard Time) from TE354946