

M 2423-30K



MINIKIT

Proseguire nella pagina successiva per visualizzare la scheda tecnica dei componenti

Revisione	Prodotto
REV.00 15/05/2026	AfterMarket

1

2

3

TABLE 1

SUB ASSEMBLY PART NO. AND CH. CODE	NO.	PART NO. AND CH. CODE	MATERIAL	COLOR	QTY.
7222-6423-30 ETC.	①	SEE TABLE 2	PBT	SEE TABLE 2	1
	②	△7137-2423-80	SILICONE RUBBER	BROWN	1

TABLE 2

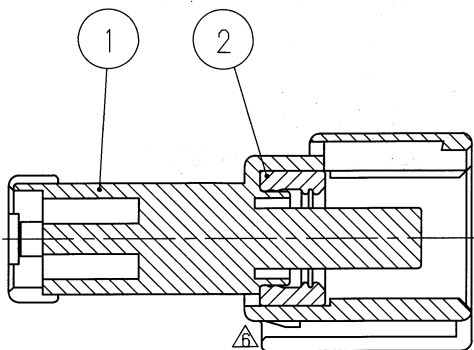
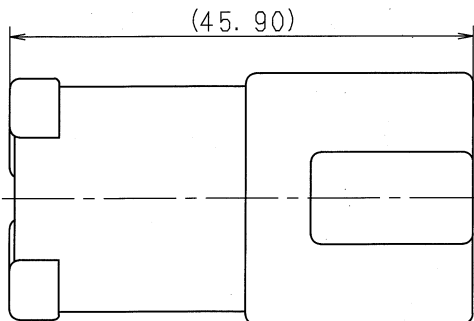
SUB ASSEMBLY PART NO. AND CH. CODE	PART NO. AND CH. CODE	COLOR
7222-6423-30, ▢	△7122-6423-30	BLACK
△7222-6423-50, ▢	7122-6423-50	ORANGE

注記

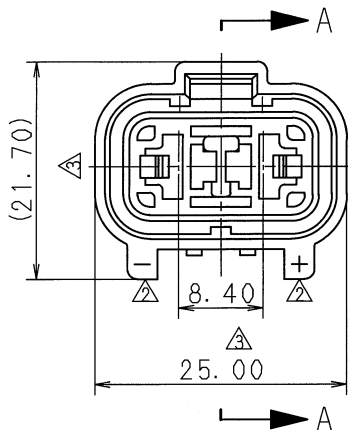
- 1. 嵌合相手品番: 7123-6423-30, 7123-6423-50 △
- △ 2. 適用端子品番: 7114-2873, 7114-2874
- △ 3. 適用リヤホルダ品番: 7157-6720
- △ 4. 適用ゴム栓品番: 7157-3570, 7157-3571-80

△ NOTES

- 1. MATING PART NO. : 7123-6423-30
: 7123-6423-50 △
- △ 2. APPLICABLE TERMINAL NO. : 7114-2873
: 7114-2874
- △ 3. APPLICABLE REAR HOLDER NO. : 7157-6720
- △ 4. APPLICABLE WIRE SEAL PART NO. : 7157-3570
: 7157-3571-80



SEC. A-A



△	01.06.11	ELIMINATE REAR HOLDER COLOR NO.	C01-X577	H. Y
△	00.02.02	CHANGED FORM ETC. ▢	C00-L145	M. K
△	99.06.18	CHANGED NOTE	C99-L831	O. S
△	91.01.29	ADDED PART NO.	C91-6165	M. K
△	90.04.20	DELETE DIMENSION ETC.	C90-6410	H. Y
△	89.12.11	ADD. THE STAMP ETC.	C89-7589	M. K
△	87.12.07	REVISE NOTE	7MC-4122	M. M
△	87.12.01	NEW	7MC-4121	M. M
LET	DATE	REVISION RECORD	NO.	CHKD

CUSTOMER		MATL. SPEC.	TREAT. & FIN.
CUSTOMER PART NO.	CUSTOMER DWG NO.	SEE TABLE	
OFFICE	TRIAL PART NO.	NAME X TYPE CONNECTOR	
VENDOR		△ SUB ASSEMBLY 2PM △	
VENDOR NO.			

GENERAL TOLERANCE							
	10MAX	50MAX	100MAX	250MAX	2500VR	ANGLE	ECCENT
A	±0.15	±0.2	±0.3	±0.5	±0.75	±30'	0.1
B	±0.2	±0.3	±0.55	±0.95	±1.4	±30'	0.1
◎	±0.3	±0.5	±0.8	±1.4	±2	±30'	0.15
SPECIFIED							MASS
							g

DWG TYPE	DWG SOURCE	DWG DATE	UNIT	SCL	ANGLE	PART NO. CH. CODE
R	NEW	87.12.01	mm	2/1	3	7222-6423-30 ETC. △
APPROVED	CHECKED	CHECKED	DESIGN	DRAWN	DWG NO. 7222-6423-30:R SET DWG NO.	
吉田	—	吉田	MATSUNAGA	S.UEBO	YAZAKI CORPORATION	
01.06.25		2001.06.25	87.12.01	01.06.11		

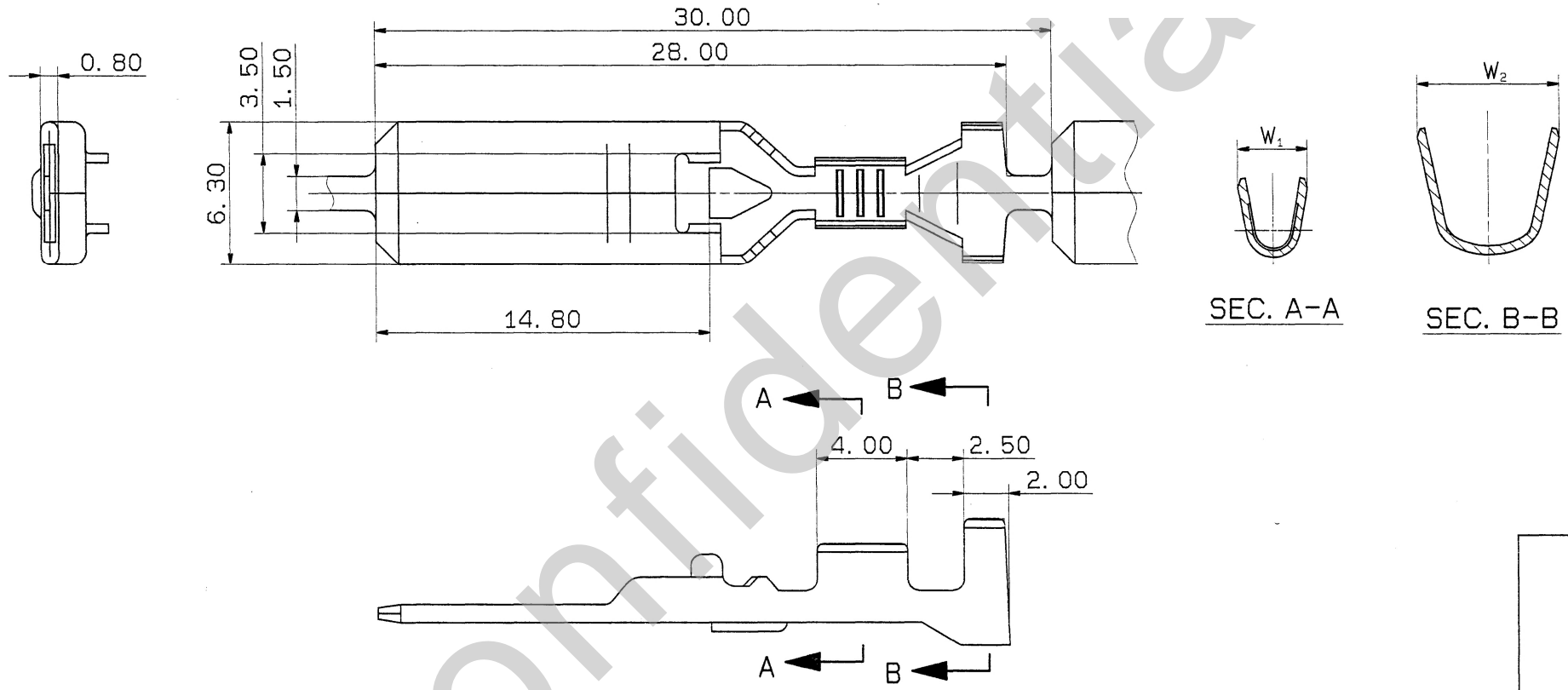
1

2

3

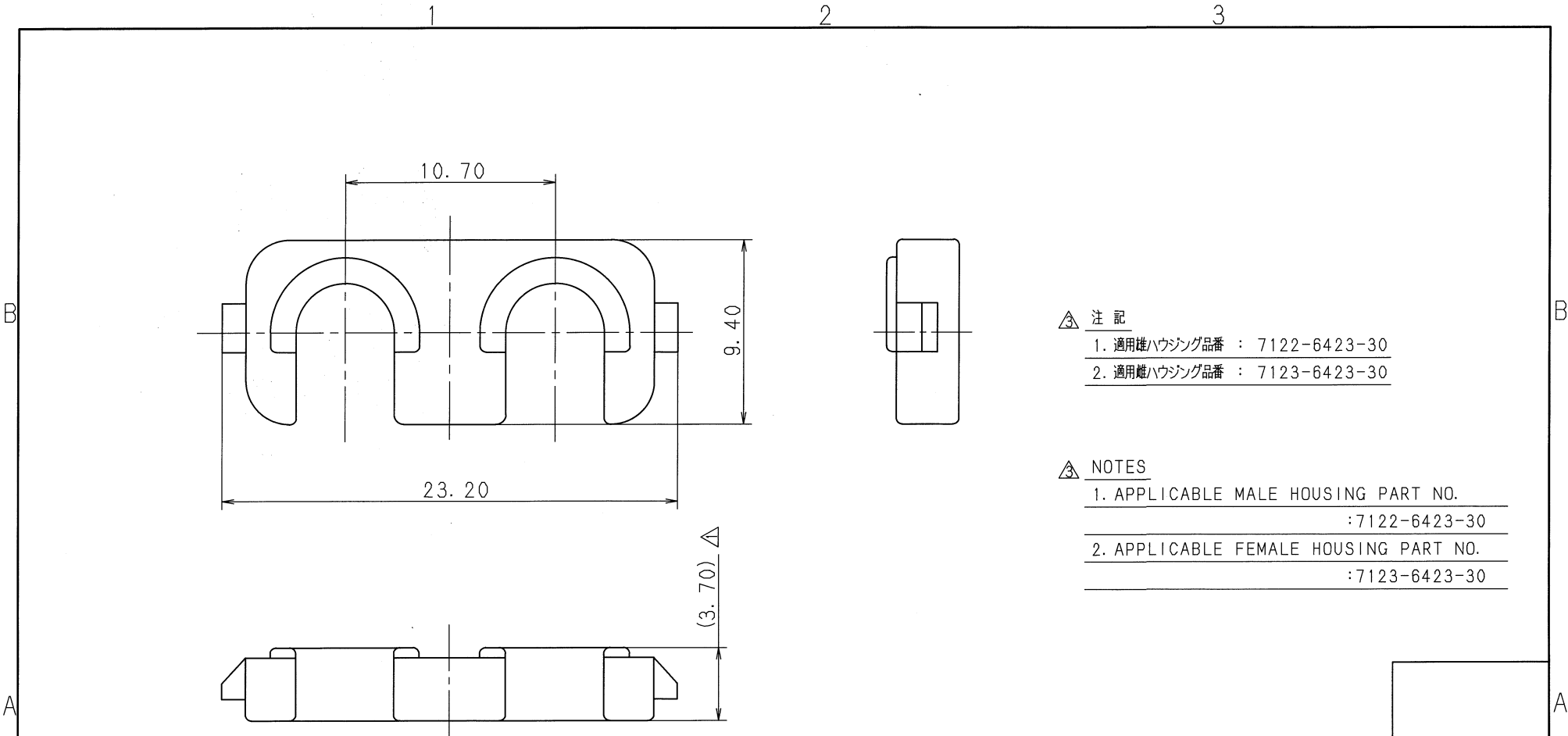


PART NO.	W ₁	W ₂	MATERIAL	APPLICABLE WIRE SIZE
7114-2873	3.1	6.2	C 2680 t=0.4	(AVS) AV 0.5 ~ 1.25
7114-2874	4.3	8.1		(AVS) AV 2 ~ 3
⚠ 7114-2873-02	3.1	6.2	C 2680 t=0.4 TIN PLATING	(AVS) AV 0.5 ~ 1.25
⚠ 7114-2874-02	4.3	8.1		(AVS) AV 2 ~ 3



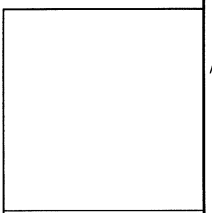
ISSUE MARK

CUSTOMER										MATL. SPEC.		TREAT. & FIN.	
CUSTOMER PART NO.					CUSTOMER DWG NO.					SEE TABLE			
OFFICE					TRIAL PART NO.					NAME ⚠ X TYPE TERMINAL M			
VENDOR					VENDOR NO.								
GENERAL TOLERANCE										PART NO. 7114-2873 ETC.			
	10MAX	50MAX	100MAX	250MAX	250OVR	ANGLE	ECCENT	DWG TYPE	DWG SOURCE	DWG DATE	UNIT	SCL	ANGLE
A	±0.15	±0.2	±0.3	±0.5	±0.75	±30'	0.1	R	RENEW	91.12.10	mm	5/1	3
B	±0.2	±0.3	±0.55	±0.95	±1.4	±30'	0.1	APPROVED	CHECKED	CHECKED	DESIGN	DRAWN	
©	±0.3	±0.5	±0.8	±1.4	±2	±30'	0.15	MAKITA		ISHIZUKA		DWG NO. 7114-2873:R	
SPECIFIED					MASS					YAZAKI CORPORATION			
					g								



△ 注記
 1. 適用雄ハウジング品番 : 7122-6423-30
 2. 適用雌ハウジング品番 : 7123-6423-30

△ NOTES
 1. APPLICABLE MALE HOUSING PART NO.
 : 7122-6423-30
 2. APPLICABLE FEMALE HOUSING PART NO.
 : 7123-6423-30



△	01.06.11	ELIMINATE REAR HOLDER COLOR NO. & ADD. NOTES	C01-X577	H. Y	CUSTOMER				MATL. SPEC. PP (NATURAL)		TREAT. & FIN.		ISSUE MARK		
△	99.04.23	ADDED PART NO.	C99-L600	O. S	CUSTOMER PART NO.		CUSTOMER DWG NO.								
△	93.11.15	CORRECTED AN ERROR	C93-7104	H. Y					NAME △ Xタイプ コネクタ 2P用 リヤホルダ						
	91.05.30	NEW	C91-L422	Y. G	OFFICE		TRIAL PART NO. -----								
LET	DATE	REVISION RECORD	NO.	CHKD	VENDOR		VENDOR NO. -----								
GENERAL TOLERANCE				VENDOR NO.											
	10MAX	50MAX	100MAX	250MAX	250OVR	ANGLE	ECCENT	DWG TYPE	DWG SOURCE	DWG DATE	UNIT	SCL	ANGLE	PART NO. △ 7157-6720	
A	±0.15	±0.2	±0.3	±0.5	±0.75	±30'	0.1	R	NEW	91.05.30	mm	2/1	3	CH. CODE	
B	±0.2	±0.3	±0.55	±0.95	±1.4	±30'	0.1	APPROVED	CHECKED	CHECKED	DESIGN	DRAWN	DWG NO. △ 7157-6720:R	SET DWG NO.	
◎	±0.3	±0.5	±0.8	±1.4	±2	±30'	0.15				MATSUNAGA	S. UEBO	YAZAKI CORPORATION		
SPECIFIED				MASS				g		01.06.25		2001.06.25		87.09.30 01.06.11	