

M 282079-2

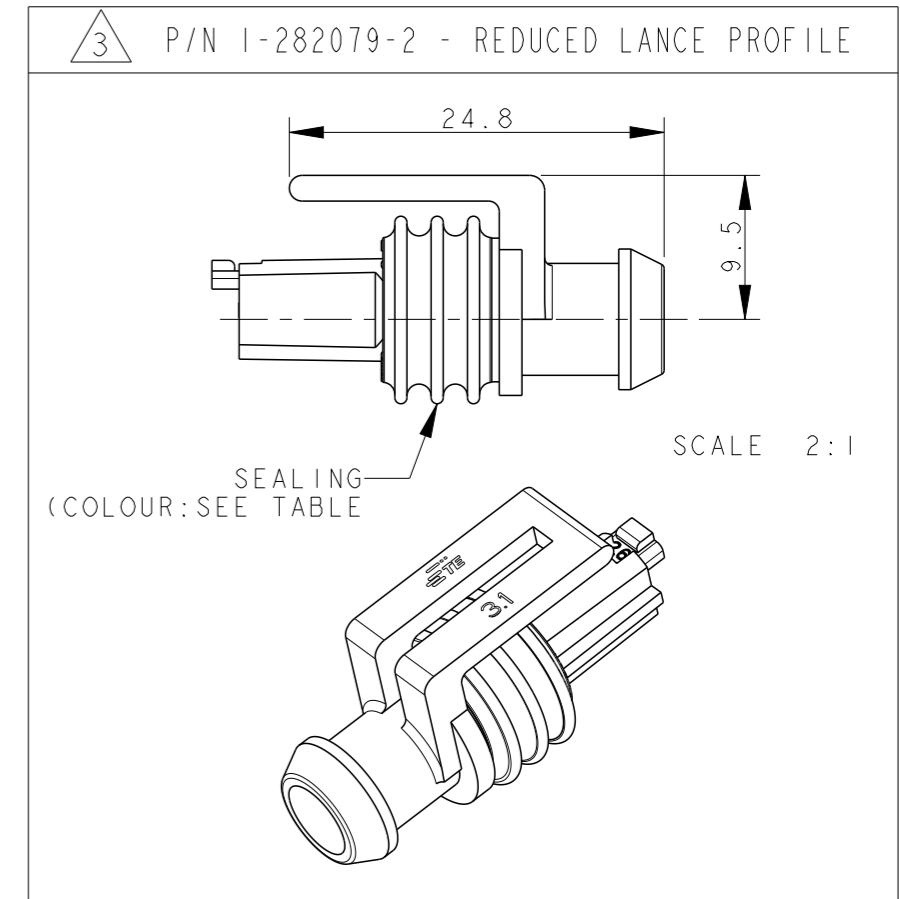
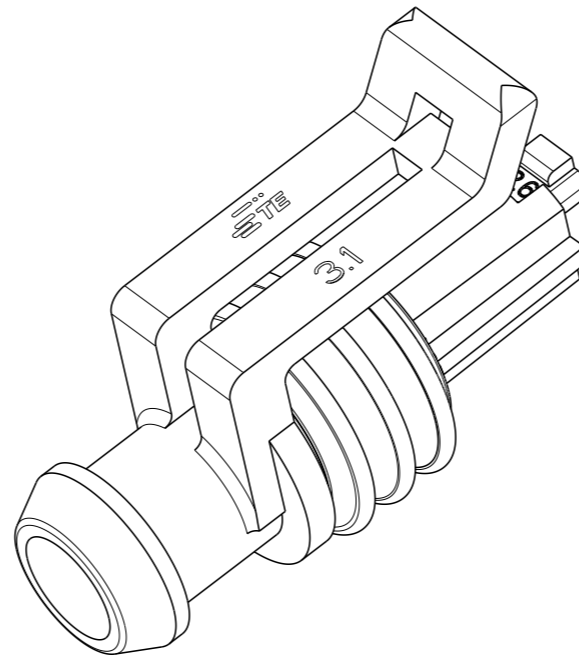
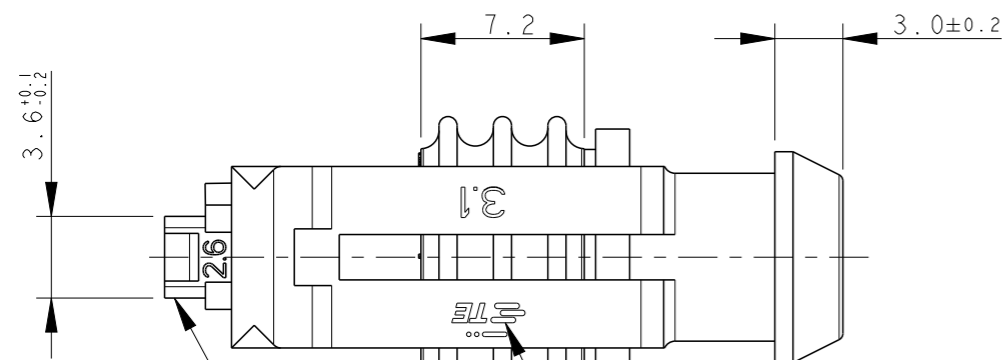
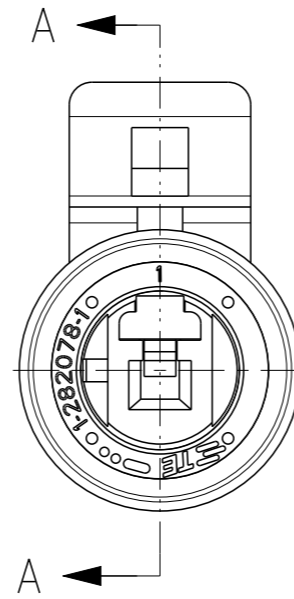
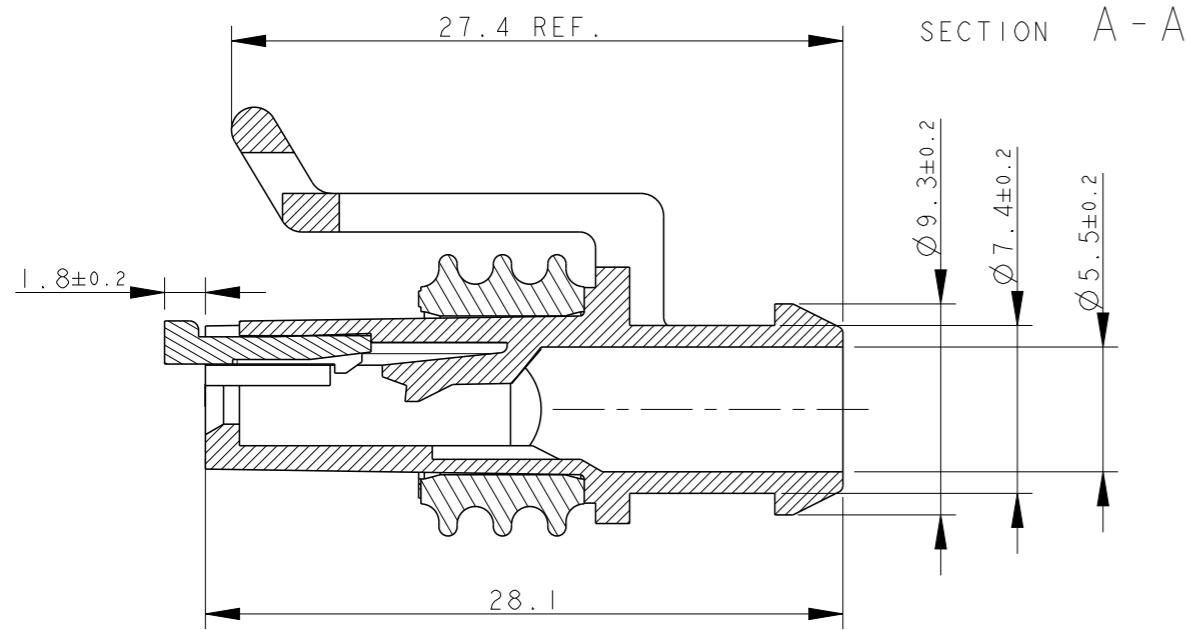


Proseguire nella pagina successiva per visualizzare la scheda tecnica dei componenti

| Revisione | Prodotto |
|----------------------|-------------|
| REV.01 14/04/2026 | AfterMarket |

REVISIONS

| P | LTR | DESCRIPTION | DATE | DWN | APVD |
|----|-----|---------------------------|-----------|------|------|
| G | | ECR-14-009314 | 24MAR2015 | M.P. | M.G. |
| G1 | | REVISED (ECR-15-014031) | 25SEP2015 | M.G. | M.G. |
| G2 | | REVISED PER ECO-17-001706 | 10FEB2017 | C.A. | M.G. |
| G3 | | REVISED PER ECO-17-018626 | 18DEC2017 | AP | VN |



TE CONNECTIVITY TRADE MARK,
(IN ALTERNATIVE: "AMP" LOGO, OR "Tyco Electronics" LOGO)

SEALING
(COLOUR:SEE TABLE)

PRE-ASSEMBLED SECONDARY LOCK
(COLOUR RED)

1 WARNING: LOW RETENTION FORCE OF SEALING ON HOUSING (<9N)
2) FOR COUNTERPART DETAILS, SEE SHEET 2 OF 2

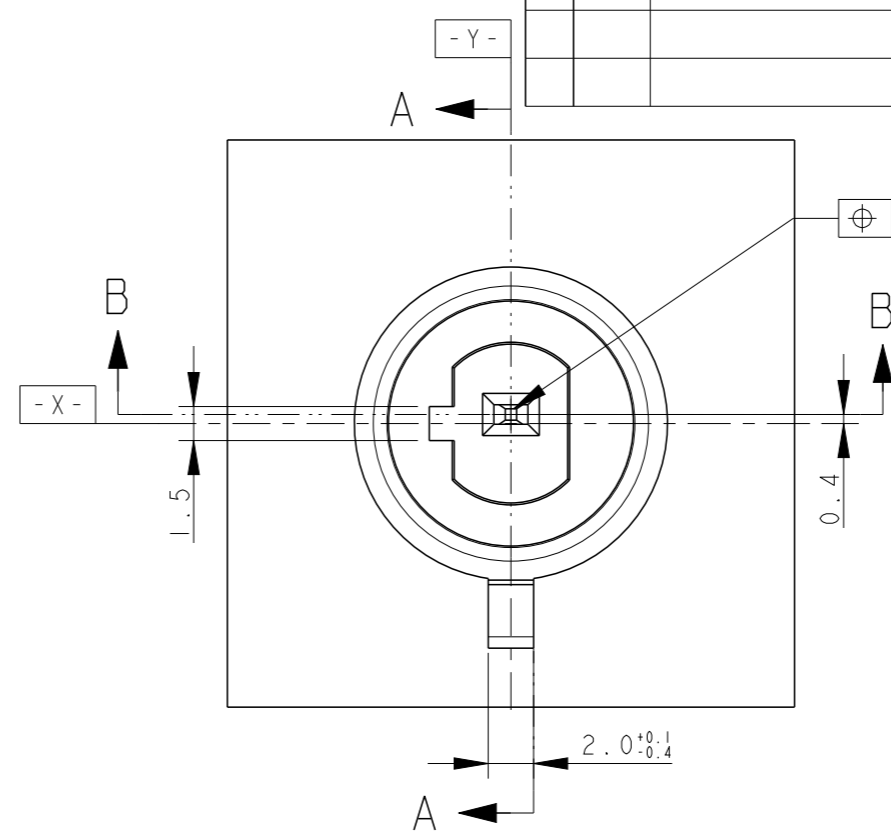
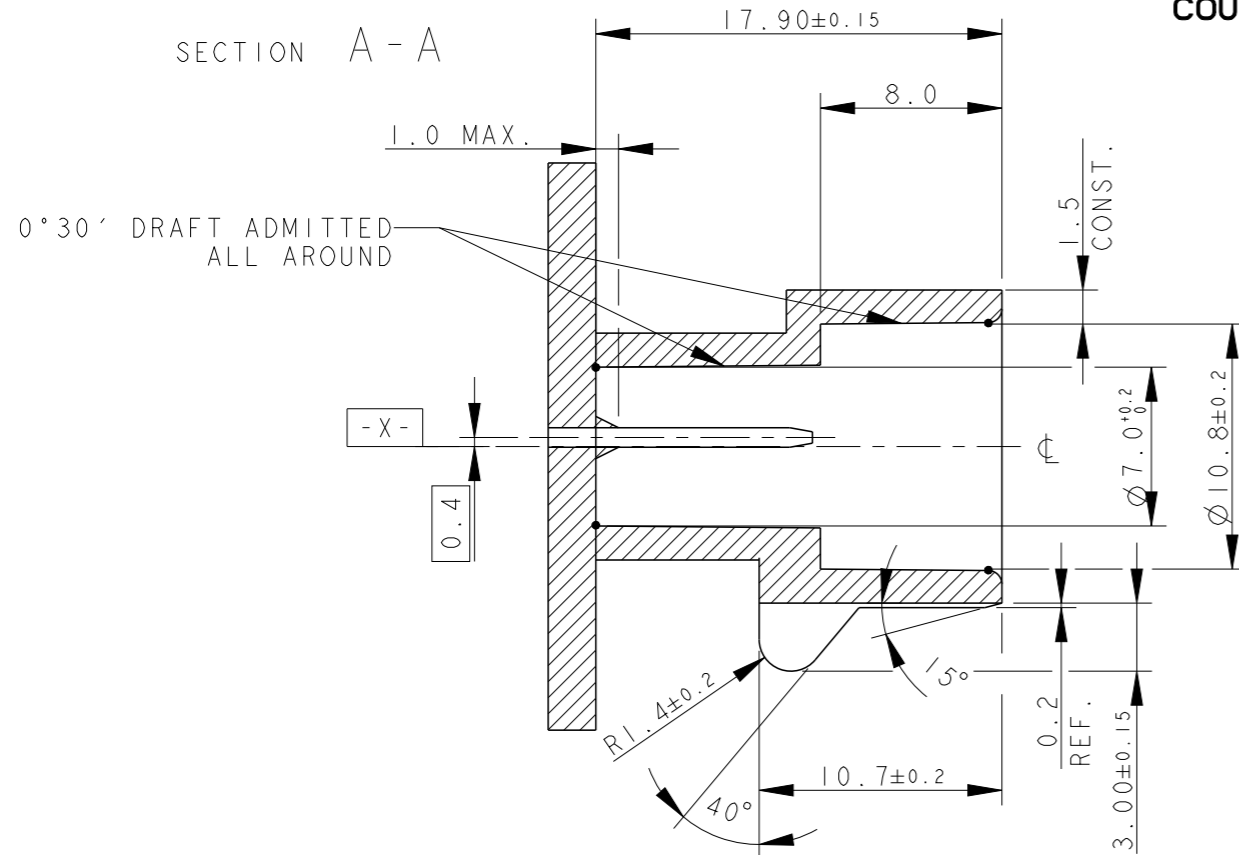
| NOTE | SEAL COLOUR | HOUSING COLOR | MATERIAL | PART NUMBER |
|----------|-------------|----------------|---|-------------|
| 1 | NATURAL | BLACK | HOUSING+SEC.LOCK: PA 66-GF SEALING: LSR (4% OIL CONTENT) | 2-282079-2 |
| | YELLOW | 3 BLACK | HOUSING+SEC.LOCK: PA 66-GF SEALING: LSR (NO OIL CONTENT) | 1-282079-2 |
| | YELLOW | GRAY | | 282079-3 |
| | YELLOW | BLACK | | 282079-2 |

| | | | | |
|--|--|-------------------------------|---|------------------------|
| THIS DRAWING IS A CONTROLLED DOCUMENT. | | DWN C. BERTINI 05-1992 | STE TE Connectivity | |
| | | CHK A. BRUNI 05-1992 | | |
| DIMENSIONS: mm | TOLERANCES UNLESS OTHERWISE SPECIFIED: | APVD - | NAME - | |
| | 0 PLC ± 1 PLC ±0.3 2 PLC ± 3 PLC ± 4 PLC ± ANGLES ±2° | PRODUCT SPEC 108-20090 | AMP SUPERSEAL 1.5 SRS. 1 POSITION PLUG ASS'Y | |
| MATERIAL SEE TABLE | FINISH SEE TABLE | APPLICATION SPEC 412-20000 | SIZE A300779 | DRAWING NO C-282079 |
| | | WEIGHT 1.55gr | CAGE CODE - | RESTRICTED TO - |
| | | Customer Drawing | SCALE 3:1 | SHEET 1 OF 2 |
| | | | | REV G3 |

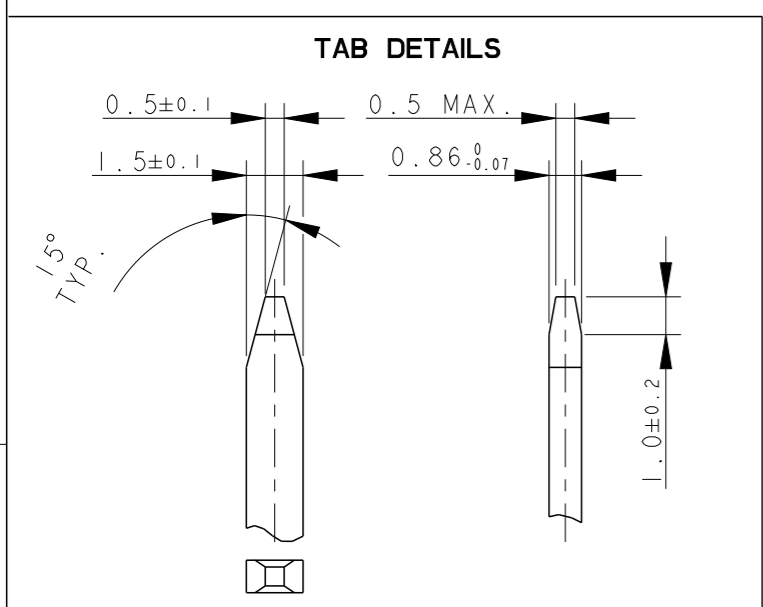
REVISIONS

| P | LTR | DESCRIPTION | DATE | DWN | APVD |
|---|-----|-------------|------|-----|------|
| - | - | SEE SHEET 1 | - | - | - |

COUNTERPART DETAILS




TAB DETAILS



SECTION B-B

MATERIALS: PA66-GF FOR HOUSING
TIN PLATED BRASS FOR TABS

| | | | | | |
|---|--|-------------------------------|---|--------------------|------------------------|
| THIS DRAWING IS A CONTROLLED DOCUMENT. | | DWN C. BERTINI 05-1992 |  TE Connectivity | | |
| DIMENSIONS: mm | | CHK A. BRUNI 05-1992 | | | |
| TOLERANCES UNLESS OTHERWISE SPECIFIED: | | APVD - | NAME - | | |
| 0 PLC ±0.3 1 PLC ±0.1 2 PLC ±0.05 3 PLC ± 4 PLC ± ANGLES ±2° | | PRODUCT SPEC 108-20090 | AMP SUPERSEAL 1.5 SRS. 1 POSITION PLUG ASS'Y | | |
| MATERIAL | | APPLICATION SPEC 412-20000 | SIZE A3 | CAGE CODE 00779 | DRAWING NO C-282079 |
| FINISH | | WEIGHT 1.55gr | RESTRICTED TO - | | |
| | | Customer Drawing | SCALE 5:1 | SHEET 2 OF 2 | REV G3 |