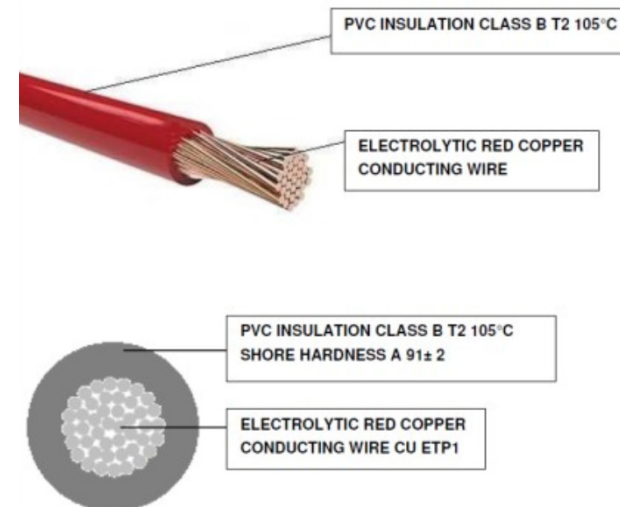


# M 282079-C



Caratteristiche CAVO	
<b>Temperatura d'uso</b>	-40 °C / +105 °C (IDLE STATE)
<b>Sezione</b>	1.00 mmq
<b>Colore</b>	Nero
<b>Documenti di riferimento</b>	ISO 19642 : 2019 / DIN 72551 ISO 6722 CLASS B / LV 112 / ISO 3795 FIAT 91107 / 18 (where applicable) ROHS II/III UN R118
<b>Lunghezza</b>	20 cm
<b>Tipologia</b>	F3T2



CROSS SECTION	COND. CONSTR.	EXT. DIAMETER.	INSUL. MATERIAL	EL. RES. MAX 20°	MAX VOLT.	INSULATION THICKNESS (+)
1 x 1,00	32 x 0,20 ± 0,01 mm	2,10 +0 mm -0,2 mm	PVC T2 HT 105 °C	18,5 OHM/KM	< 300 V	≥ 0,24

Proseguire nella pagina successiva per visualizzare la scheda tecnica dei componenti

Revisione	Prodotto
REV.00 14/04/2026	AfterMarket

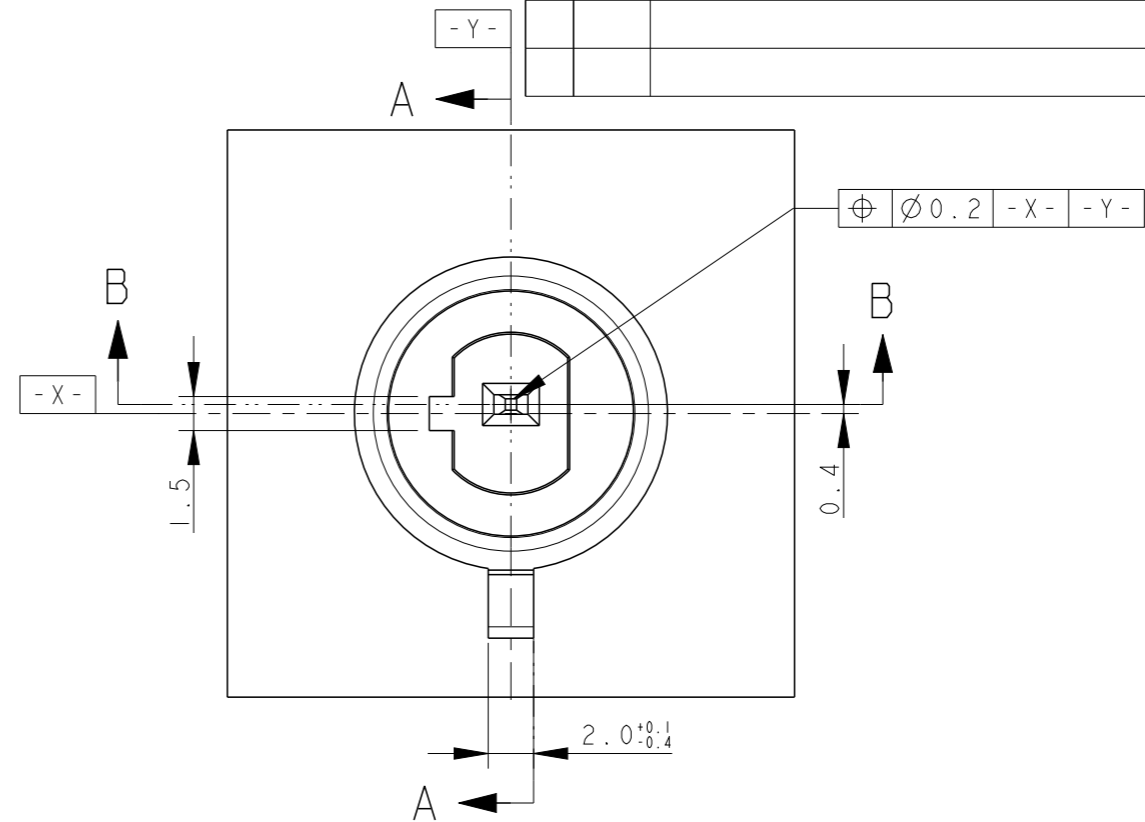
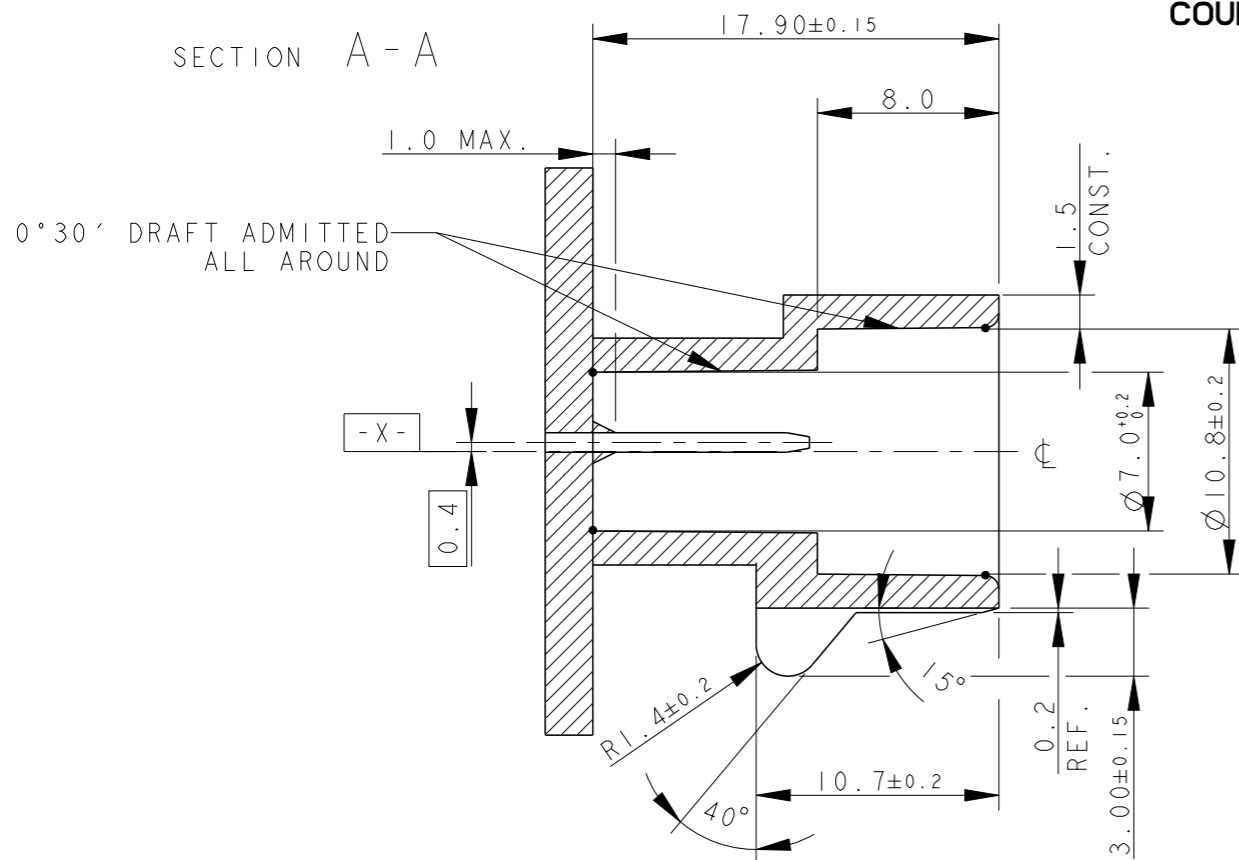


REVISIONS

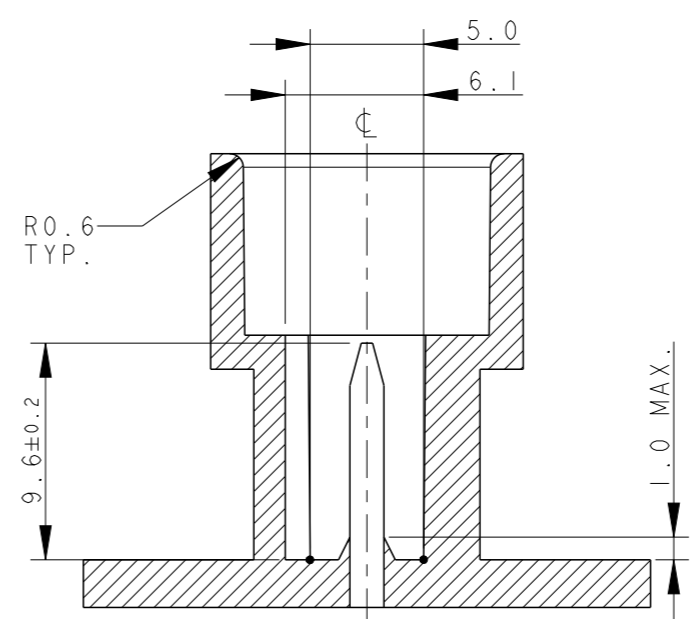
P	LTR	DESCRIPTION	DATE	DWN	APVD
-	-	SEE SHEET 1	-	-	-

COUNTERPART DETAILS

SECTION A - A

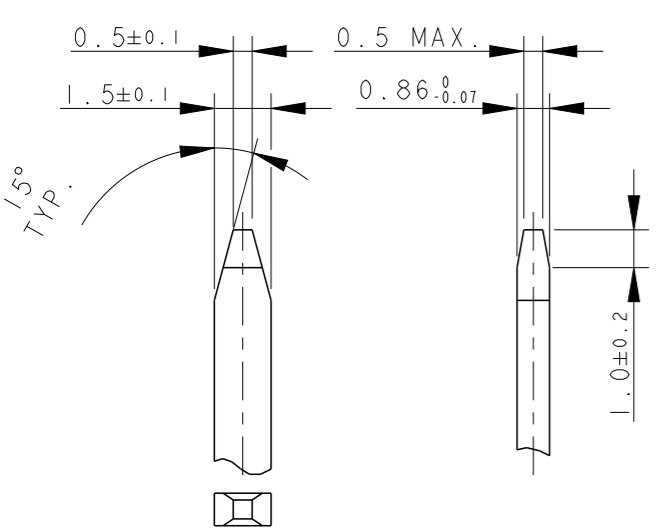


SECTION B - B



MATERIALS: PA66-GF FOR HOUSING  
TIN PLATED BRASS FOR TABS

TAB DETAILS



THIS DRAWING IS A CONTROLLED DOCUMENT.

DWN 05-1992  
C. BERTINI  
CHK 05-1992  
A. BRUNI  
APVD -



DIMENSIONS: mm	TOLERANCES UNLESS OTHERWISE SPECIFIED:
	0 PLC ±0.3
	1 PLC ±0.1
	2 PLC ±0.05
	3 PLC ±
	4 PLC ±
	ANGLES ±2°

PRODUCT SPEC 108-20090  
APPLICATION SPEC 412-20000  
WEIGHT 1.55gr

NAME		AMP SUPERSEAL 1.5 SRS. 1 POSITION PLUG ASS'Y	
SIZE	CAGE CODE	DRAWING NO	RESTRICTED TO
A3	00779	C-282079	-

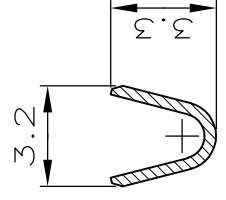
MATERIAL

FINISH

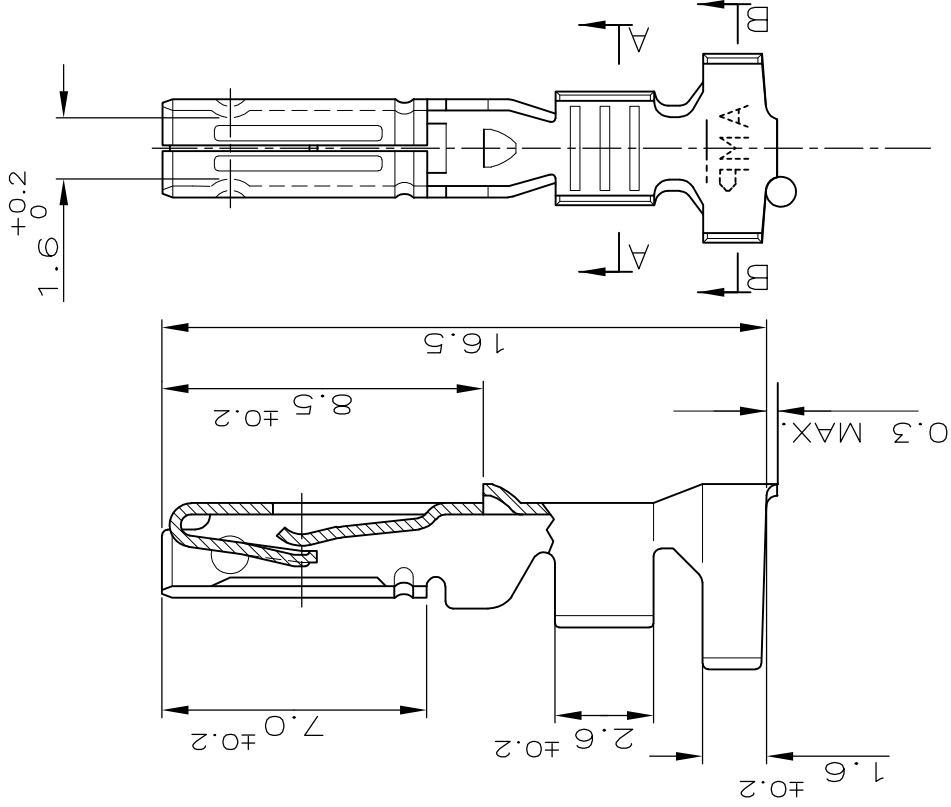
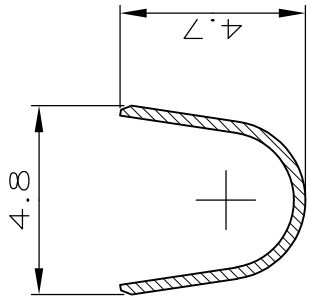
Customer Drawing SCALE 5:1 SHEET 2 OF 2 REV G3

<b>METRIC</b>	LOC	DIST	REVISONS		
	I	—	P	LTR	DESCRIPTION
			C3	REVISED PER ECO-11-005033	DATE
				11MAR11	DWN
				RK	APVD
				HMR	

SEZ. PARZ. A-A



SEZ. PARZ. B-B



ADATTO PER GOMMINO P/N 281934-...  
(SUITABLE FOR SINGLE WIRE SEAL P/N 281934-...)

THIS DRAWING IS UNPUBLISHED.

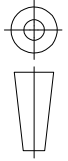
RELEASED FOR PUBLICATION

ALL RIGHTS RESERVED.

© COPYRIGHT - BY -

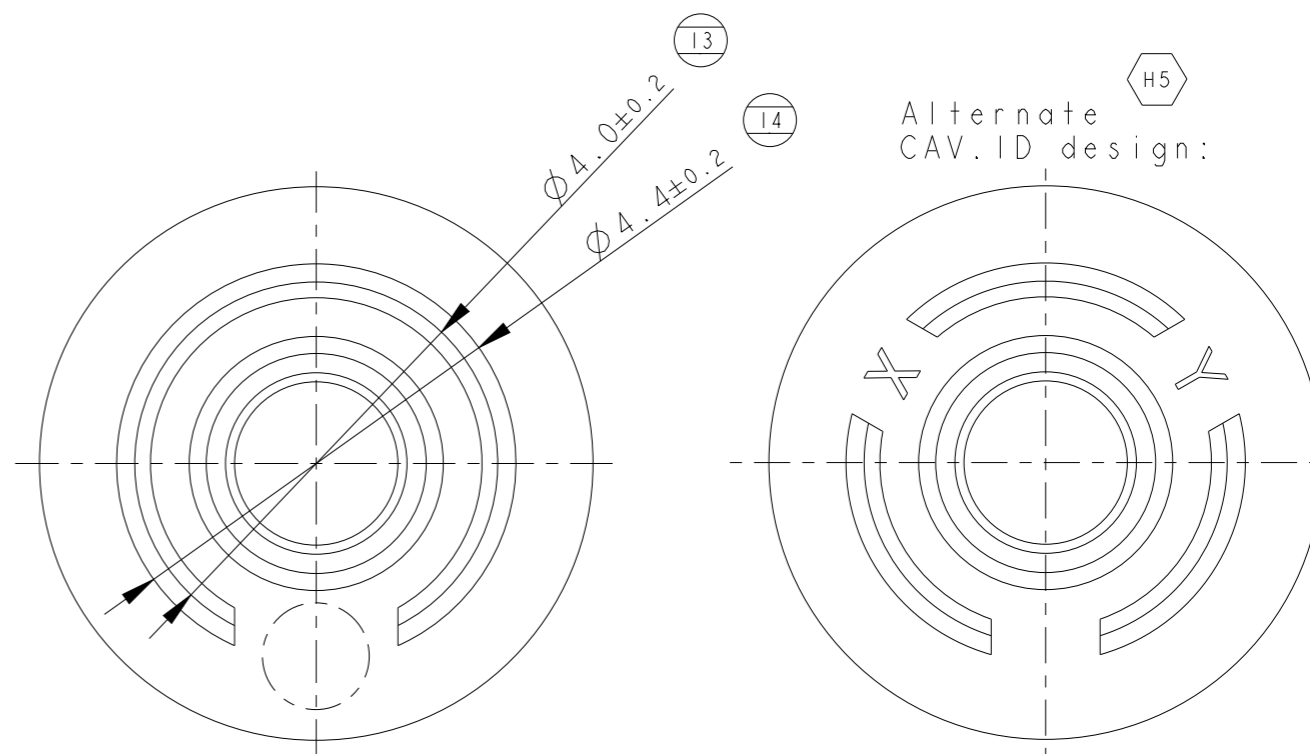
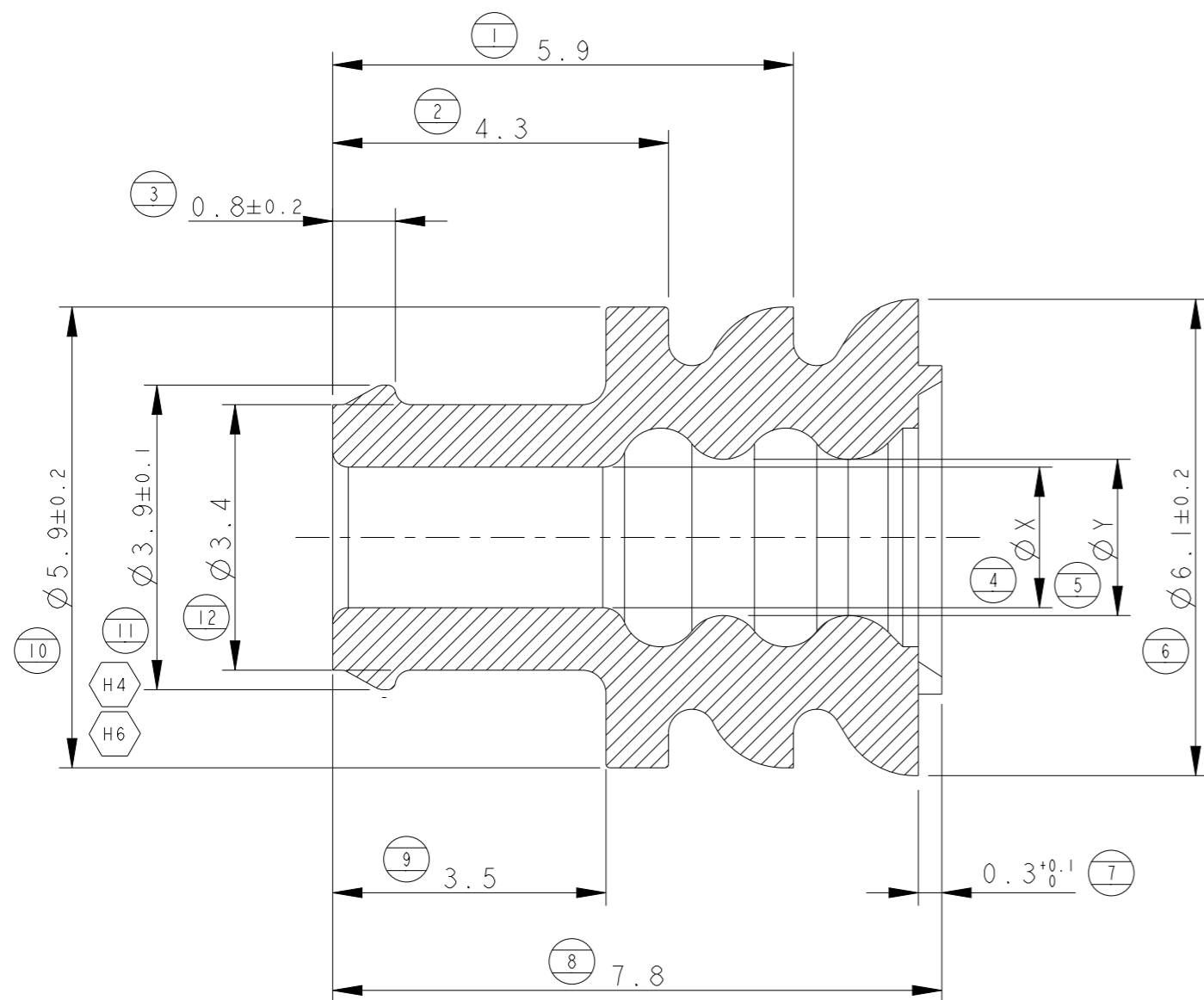
CUSTOMER DWG. FOR REFERENCE ONLY	PRE-STAGNATO (PRE-TINNED)	BRONZO FOSFOROSO (PH.BRONZE)	DIAM. ISOLANTE (INS. DIA. RANGE)	RANGO FILO (WIRE RANGE)
	FINITURA / COLORE (FINISH / COLOUR)	MATERIALE (MATERIAL)	VED. NOTA	0.75-1.5mm <sup>2</sup>
DISEGNO PER CLIENTE SOLO PER RIFERIMENTO	MATERIAL	FINISH	(RICAVATO DA 282110-1) (MADE FROM 282110-1)	
DWN Bassano	9 NOV.90	—	183025-1	
CHK Bertini	9 NOV.90	—	NUMERO (PART NUMBER)	
APVD	—	—		

DIMENSIONS:		STE		TE Connectivity	
mm		NAME			
TOLERANCES UNLESS OTHERWISE SPECIFIED:		(LOOSE PIECE VERSION)			
0 PLC	±	MINI MIC SRS REC. CONTACT			
1 PLC	± 0.3	CAGE CODE DRAWING NO			
2 PLC	±	A4 00779 C 183025			
3 PLC	±	RESTRICTED TO			
4 PLC	±	—			
ANGLES	± 2°	SCALE 5:1			
WEIGHT		CUSTOMER DRAWING		SHEET 1 of 1	
CUSTOMER DRAWING		REV C3			



REVISIONS

P	LTR	DESCRIPTION	DATE	DWN	APVD
H3		ECR-23-169886	17APR2023	BV	GB
H4		(5- -3) added & DIM.11 Tolerance changed.	13MAY2025	BV	SZG
H5		Alternate CAV.ID design added.	11SEP2025	BV	GB
H6		Drawing error (DIM.11) was fixed	23SEP2025	BV	GB



SCALE 5:1



same as 281934-3	same as 281934-3	same as 281934-3	YELLOW	LSR	H	5-281934-3	H4
same as 281934-2	same as 281934-2	same as 281934-2	YELLOW	LSR	H	5-281934-2	H3
1.2 - 1.6	1.0 ± 0.2	1.0 ± 0.2	WHITE	FLUORSILICONE RUBBER (FSL)	H	281934-5	
			GREEN	SILICONE RUBBER (LSR)	H	281934-4	
2.5 - 3.3	2.0 ± 0.2	1.8 ± 0.2	RED	SILICONE RUBBER (LSR)	H	281934-3	
1.7 - 2.4	1.4 ± 0.2	1.4 ± 0.2	YELLOW	SILICONE RUBBER (LSR)	H	281934-2	
SUITABLE FOR INS. DIA	DIM. "Y"	DIM. "X"	COLOUR	MATERIAL	REV.	P/N	



THIS DRAWING IS A CONTROLLED DOCUMENT.

DWN C. BERTINI 12-'88

CHK A. BRUNI 05-'92

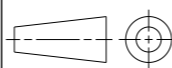
APVD -

NAME SINGLE WIRE SEAL



DIMENSIONS: mm

TOLERANCES UNLESS OTHERWISE SPECIFIED:



0 PLC ±0.3  
 1 PLC ±0.3  
 2 PLC ±  
 3 PLC ±  
 4 PLC ±  
 ANGLES ±2°  
 FINISH -

MATERIAL

SEE TABLE

PRODUCT SPEC -

APPLICATION SPEC -

WEIGHT -

Customer Drawing

SIZE A3 CAGE CODE - DRAWING NO C-281934 RESTRICTED TO -

SCALE 7:1 SHEET 1 OF 1 REV H6