

M 282079-K



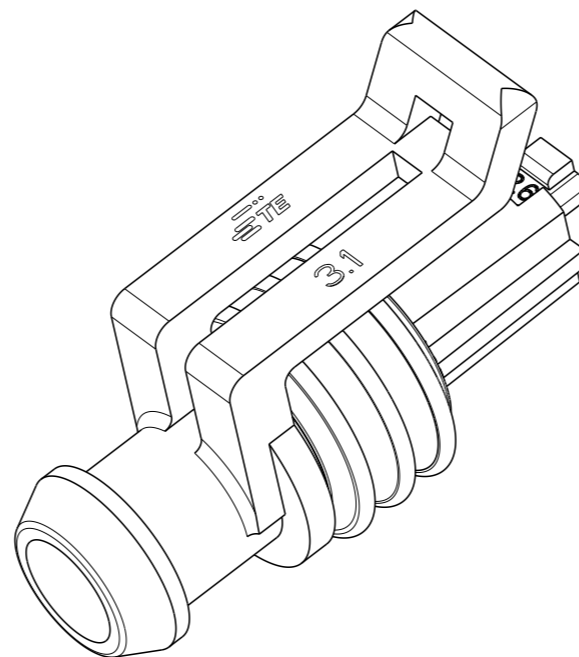
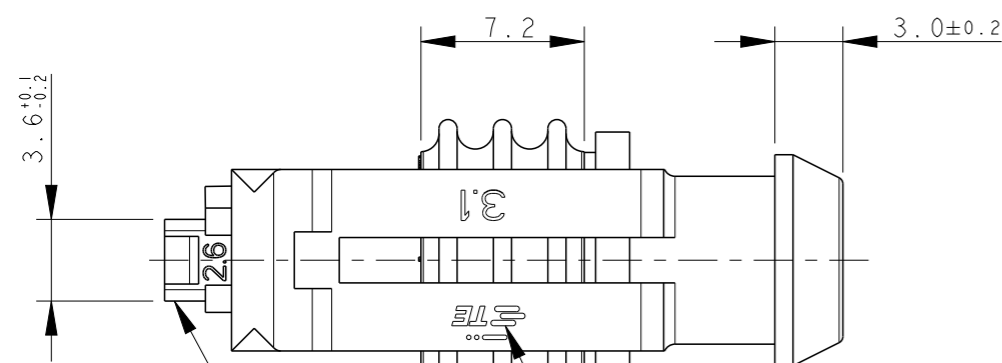
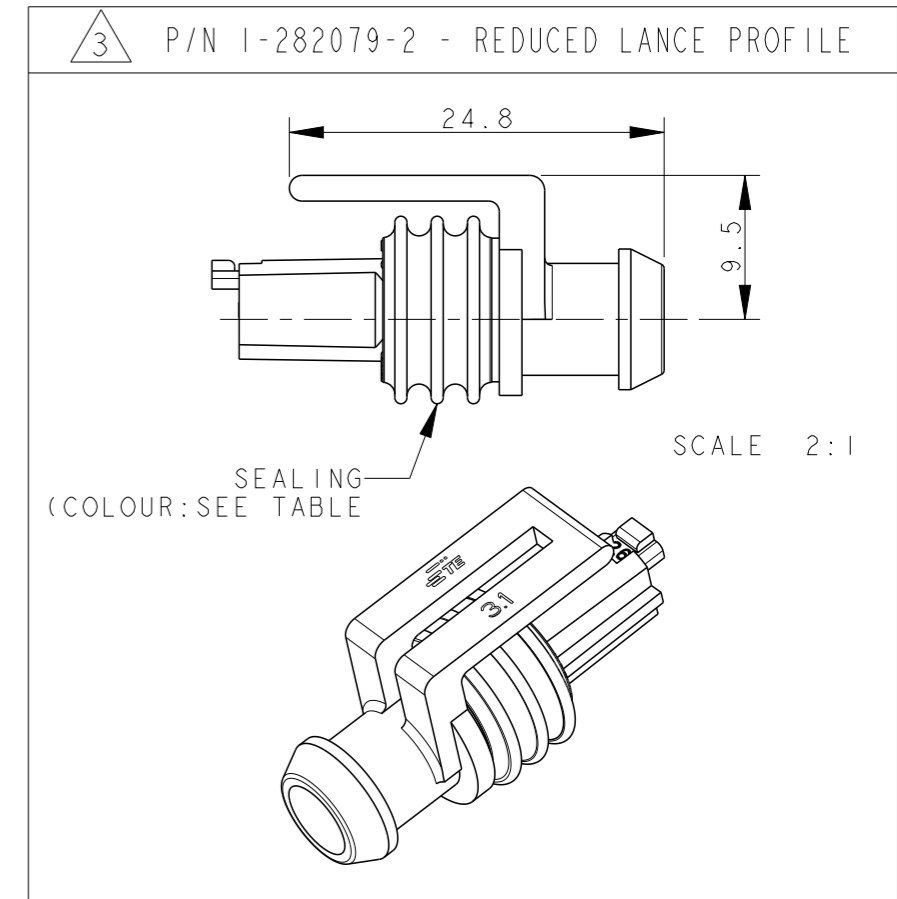
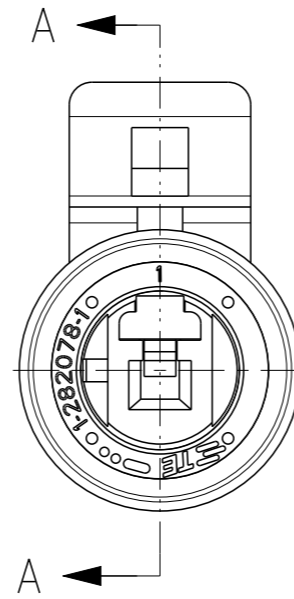
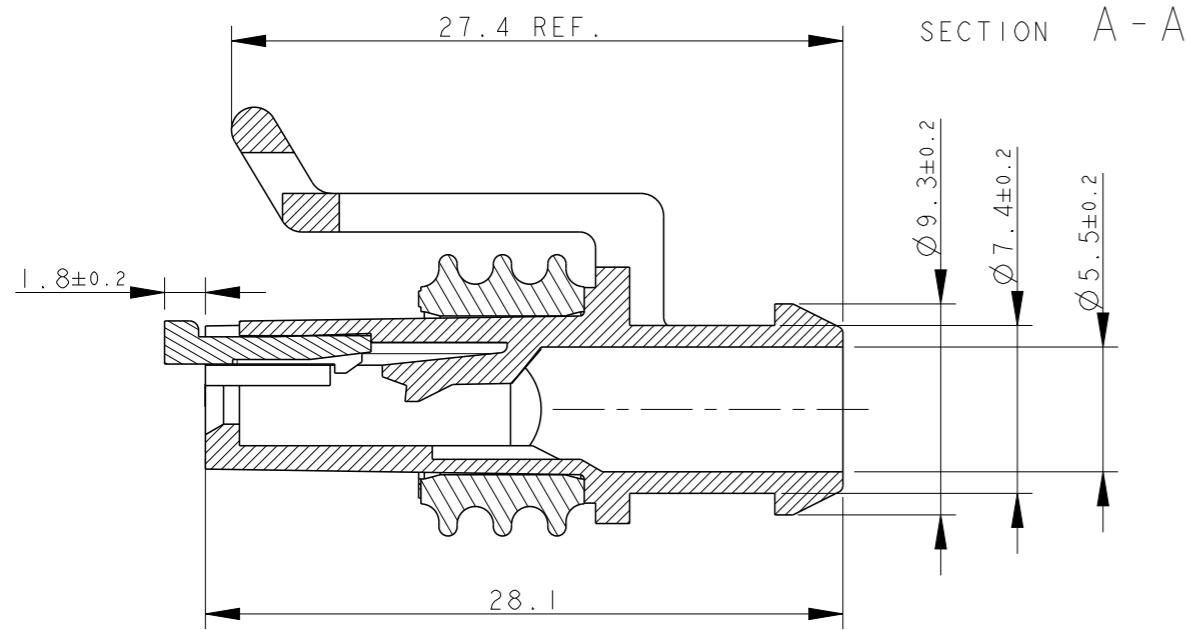
MINIKIT

Proseguire nella pagina successiva per visualizzare la scheda tecnica dei componenti

Revisione	Prodotto
REV.01 14/04/2026	AfterMarket

REVISIONS

P	LTR	DESCRIPTION	DATE	DWN	APVD
G		ECR-14-009314	24MAR2015	M.P.	M.G.
G1		REVISED (ECR-15-014031)	25SEP2015	M.G.	M.G.
G2		REVISED PER ECO-17-001706	10FEB2017	C.A.	M.G.
G3		REVISED PER ECO-17-018626	18DEC2017	AP	VN



TE CONNECTIVITY TRADE MARK,
(IN ALTERNATIVE: "AMP" LOGO, OR "Tyco Electronics" LOGO)

SEALING
(COLOUR:SEE TABLE)

PRE-ASSEMBLED SECONDARY LOCK
(COLOUR RED)

1 WARNING: LOW RETENTION FORCE OF SEALING ON HOUSING (<9N)
2) FOR COUNTERPART DETAILS, SEE SHEET 2 OF 2

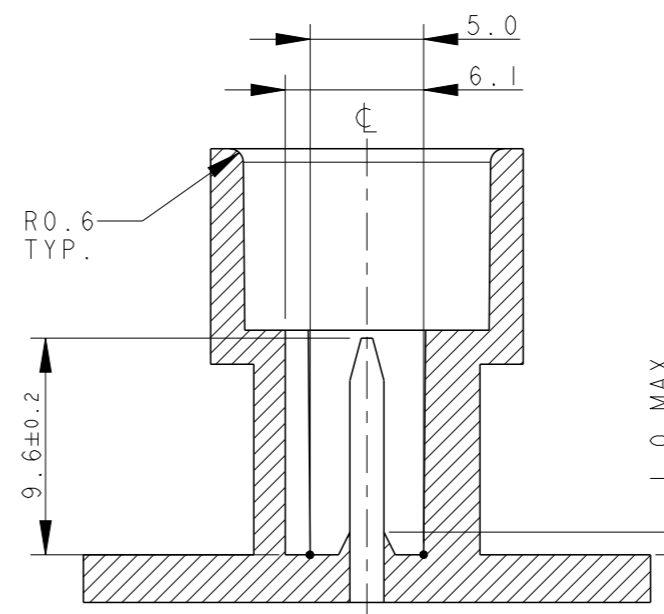
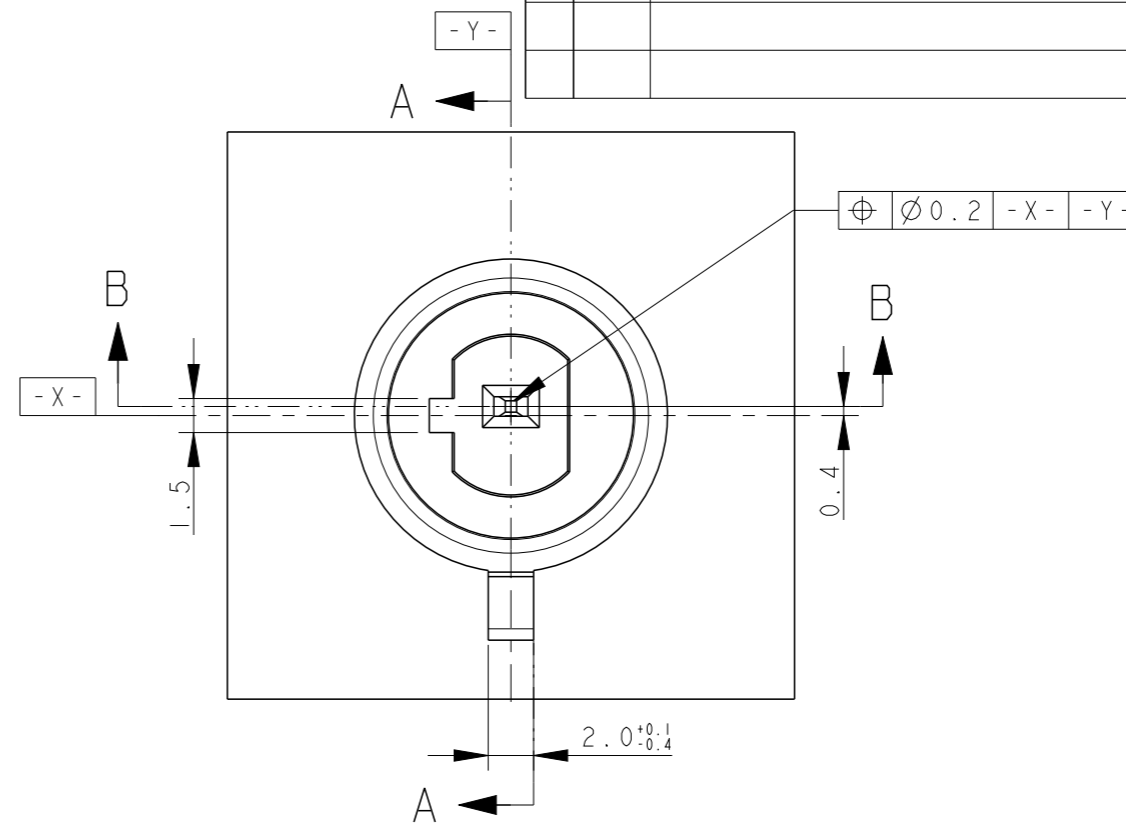
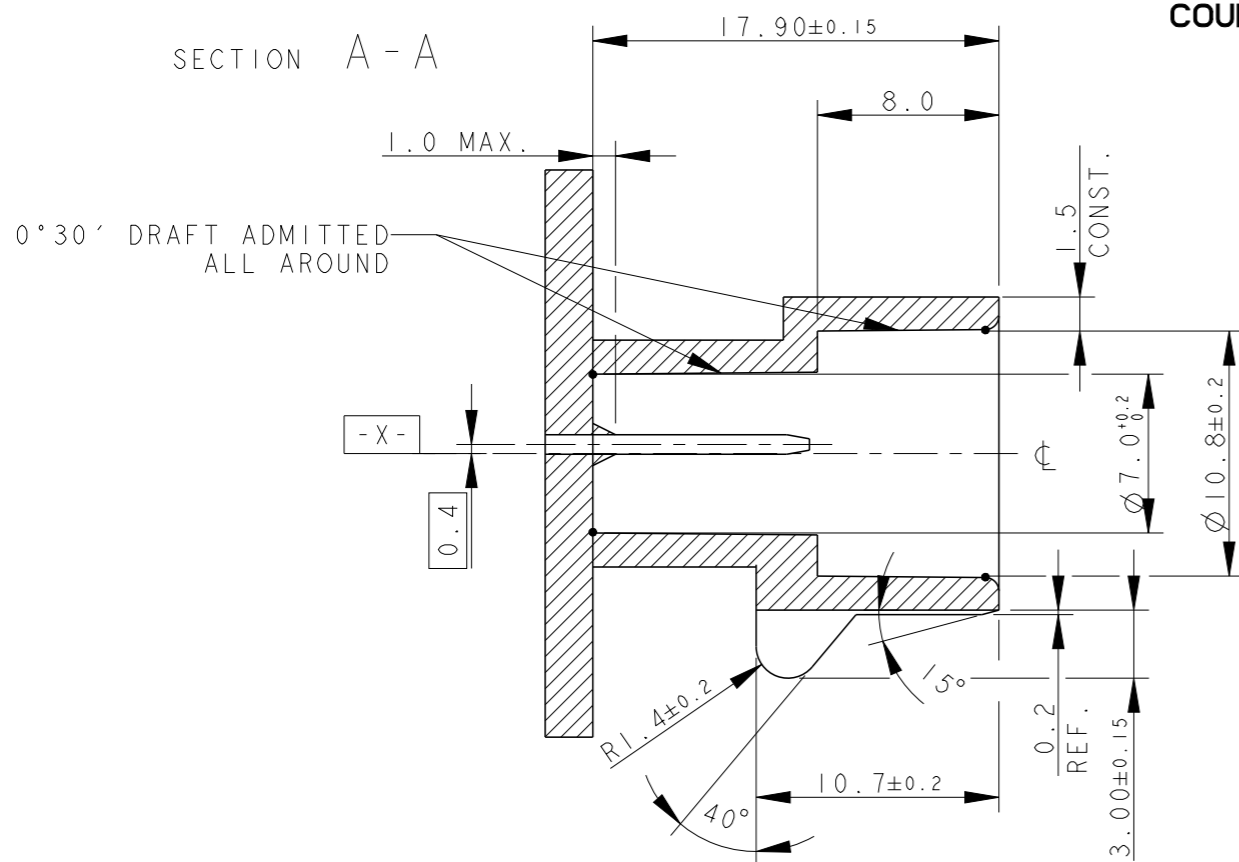
NOTE	SEAL COLOUR	HOUSING COLOR	MATERIAL	PART NUMBER
1	NATURAL	BLACK	HOUSING+SEC.LOCK: PA 66-GF SEALING: LSR (4% OIL CONTENT)	2-282079-2
	YELLOW	3 BLACK	HOUSING+SEC.LOCK: PA 66-GF SEALING: LSR (NO OIL CONTENT)	1-282079-2
	YELLOW	GRAY		282079-3
	YELLOW	BLACK		282079-2

THIS DRAWING IS A CONTROLLED DOCUMENT.		DWN C. BERTINI 05-1992	TE Connectivity	
DIMENSIONS: mm		CHK A. BRUNI 05-1992		
TOLERANCES UNLESS OTHERWISE SPECIFIED:		APVD -	NAME -	
0 PLC ±-		PRODUCT SPEC 108-20090	AMP SUPERSEAL 1.5 SRS. 1 POSITION PLUG ASS'Y	
1 PLC ±0.3		APPLICATION SPEC 412-20000		
2 PLC ±-		WEIGHT 1.55gr	SIZE A3	CAGE CODE 00779
3 PLC ±-		Customer Drawing	DRAWING NO C-282079	RESTRICTED TO -
4 PLC ±-			SCALE 3:1	SHEET 1 OF 2
ANGLES ±2°				
FINISH -				
MATERIAL SEE TABLE				

REVISIONS

P	LTR	DESCRIPTION	DATE	DWN	APVD
-	-	SEE SHEET 1	-	-	-

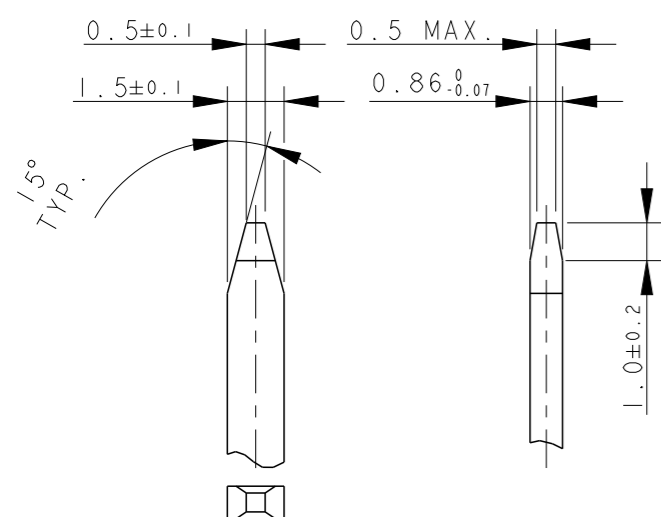
COUNTERPART DETAILS



SECTION B-B

MATERIALS: PA66-GF FOR HOUSING
TIN PLATED BRASS FOR TABS

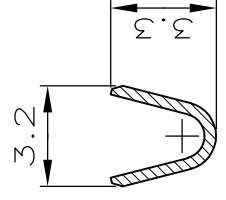
TAB DETAILS



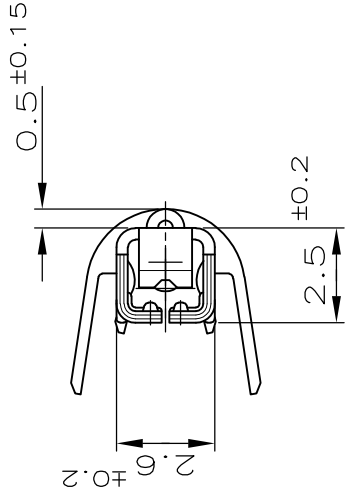
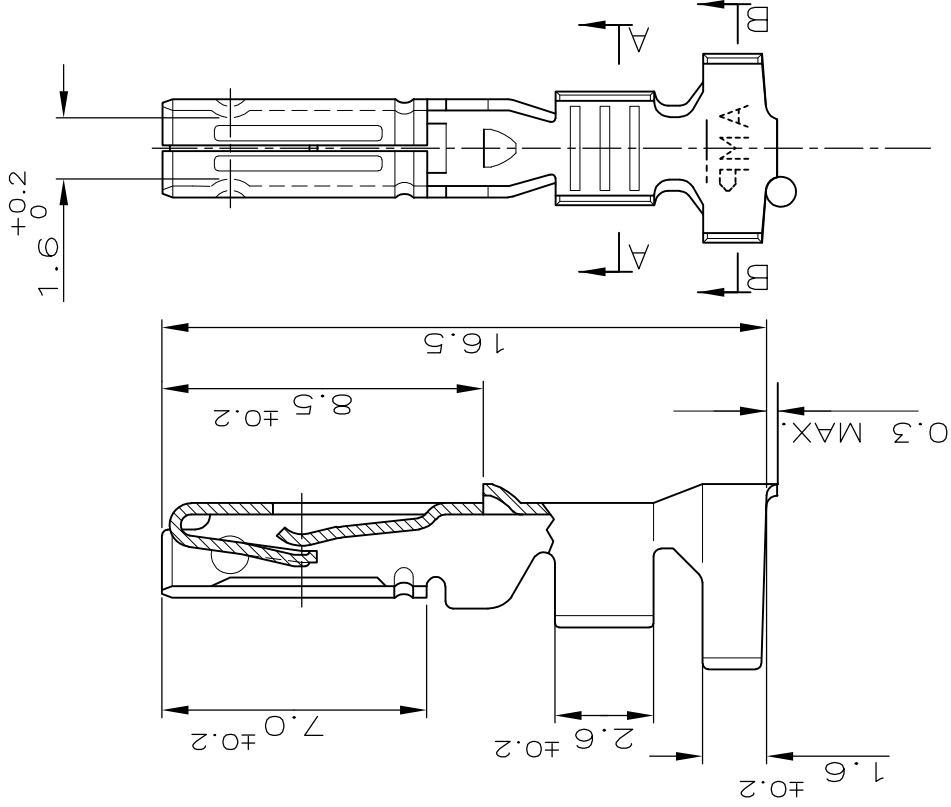
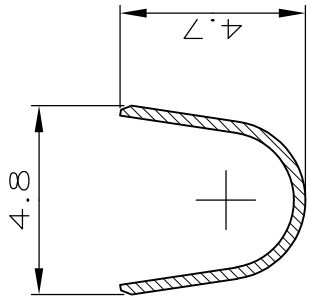
THIS DRAWING IS A CONTROLLED DOCUMENT.		DWN C. BERTINI 05-1992	TE Connectivity		
DIMENSIONS: mm		CHK A. BRUNI 05-1992			
TOLERANCES UNLESS OTHERWISE SPECIFIED:		APVD -	NAME -		
0 PLC ±0.3 1 PLC ±0.1 2 PLC ±0.05 3 PLC ± 4 PLC ± ANGLES ±2°		PRODUCT SPEC 108-20090	AMP SUPERSEAL 1.5 SRS. 1 POSITION PLUG ASS'Y		
MATERIAL		APPLICATION SPEC 412-20000	SIZE A3	CAGE CODE 00779	DRAWING NO C-282079
FINISH		WEIGHT 1.55gr	RESTRICTED TO -		
		Customer Drawing	SCALE 5:1	SHEET 2 OF 2	REV G3

METRIC	LOC	DIST	REVISONS		
	I	—	P	LTR	DESCRIPTION
			C3	REVISED PER ECO-11-005033	DATE
				11MAR11	DWN
					APVD
					RK
					HMR

SEZ. PARZ. A-A



SEZ. PARZ. B-B



ADATTO PER GOMMINO P/N 281934-...
(SUITABLE FOR SINGLE WIRE SEAL P/N 281934-...)

THIS DRAWING IS UNPUBLISHED.

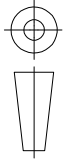
RELEASED FOR PUBLICATION

ALL RIGHTS RESERVED.

© COPYRIGHT - By -

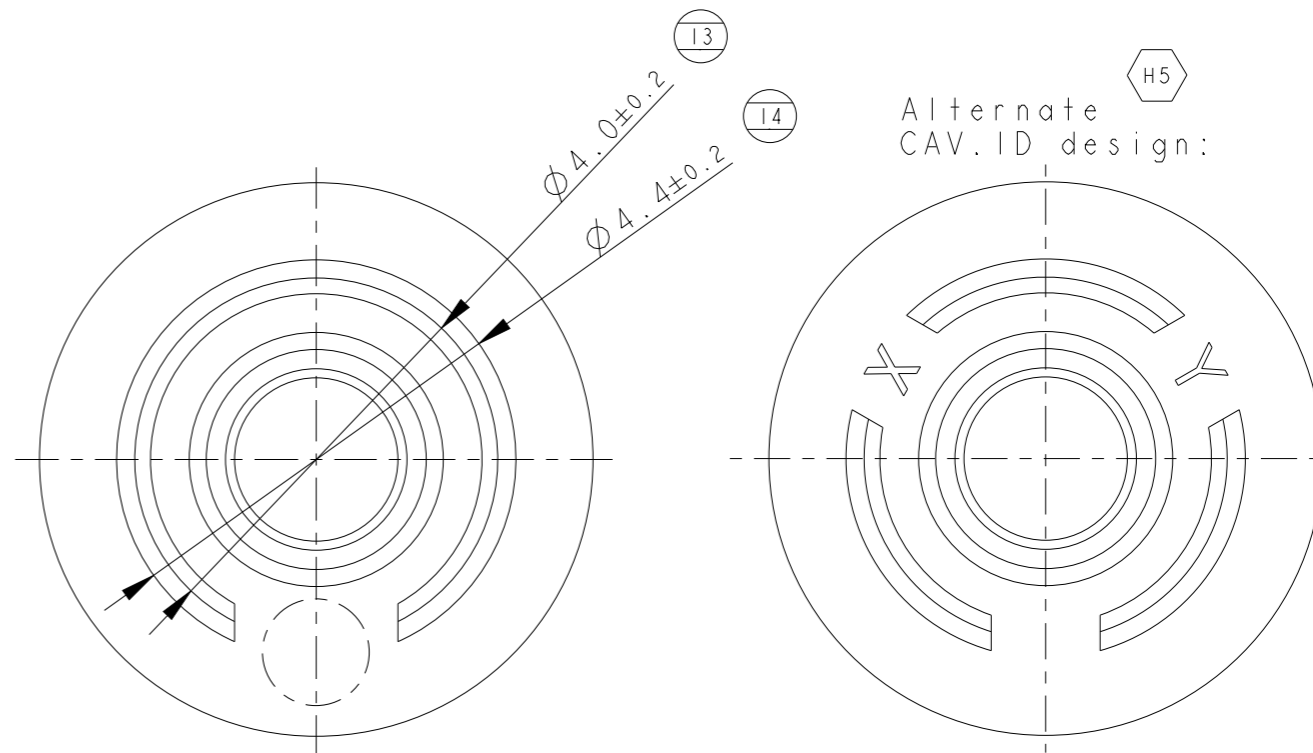
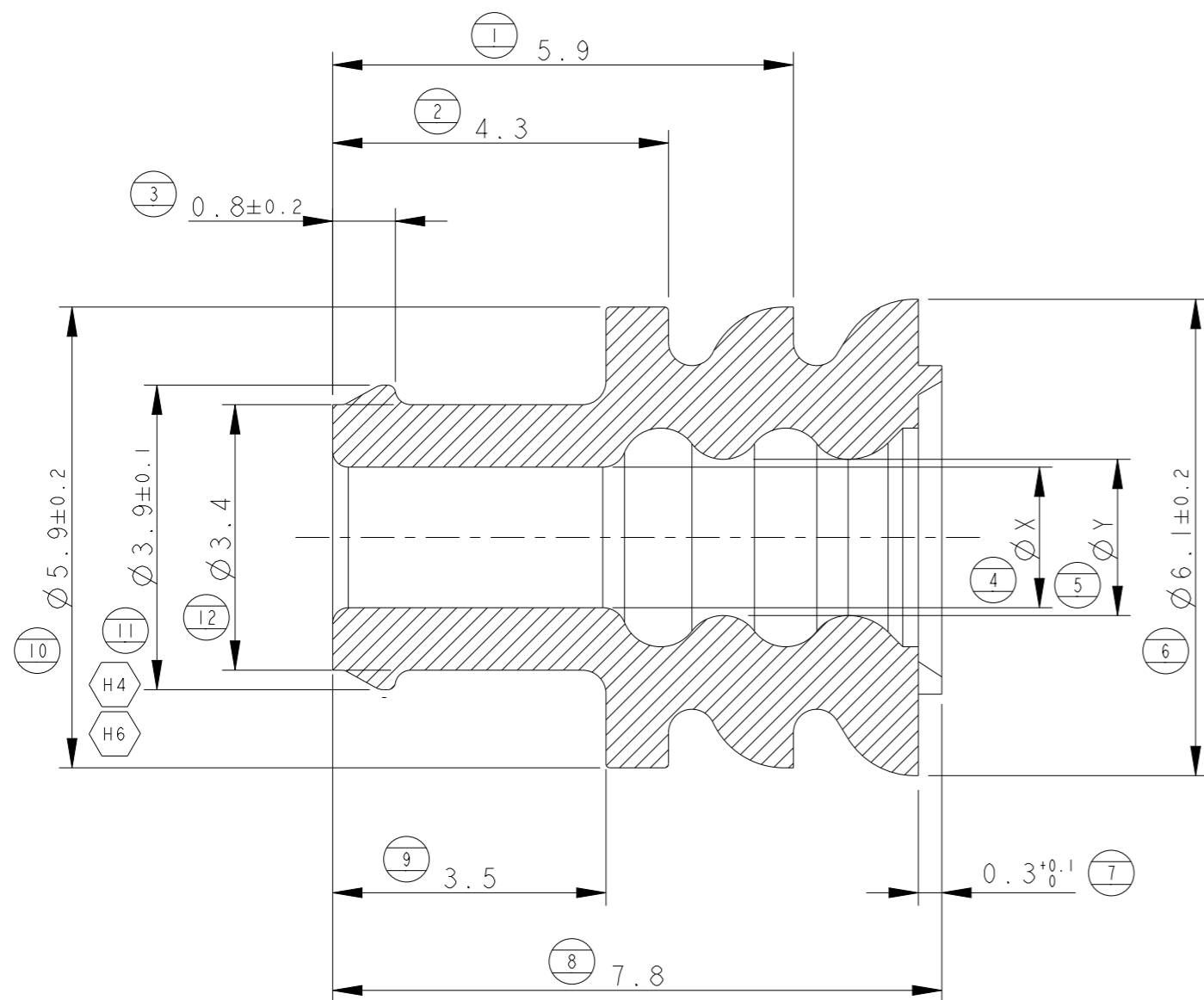
CUSTOMER DWG. FOR REFERENCE ONLY	PRE-STAGNATO (PRE-TINNED)	BRONZO FOSFOROSO (PH.BRONZE)	DIAM. ISOLANTE (INS. DIA. RANGE)	RANGO FILO (WIRE RANGE)
	FINITURA / COLORE (FINISH / COLOUR)	MATERIALE (MATERIAL)	VED. NOTA	0.75-1.5mm ²
DISEGNO PER CLIENTE SOLO PER RIFERIMENTO	MATERIAL	FINISH	(RICAVATO DA 282110-1) (MADE FROM 282110-1)	
DWN Bassano	9 NOV.90	—	183025-1	
CHK Bertini	9 NOV.90	—	NUMERO (PART NUMBER)	
APVD	—	—		

DIMENSIONS:		STE		TE Connectivity	
mm		NAME			
TOLERANCES UNLESS OTHERWISE SPECIFIED:		(LOOSE PIECE VERSION)			
0 PLC	±	MINI MIC SRS REC. CONTACT			
1 PLC	± 0.3	CAGE CODE DRAWING NO			
2 PLC	±	A4 00779			
3 PLC	±	SCALE 5:1			
4 PLC	±	SHEET 1 of 1			
ANGLES	± 2°	REV C3			
WEIGHT		CUSTOMER DRAWING			



REVISIONS

P	LTR	DESCRIPTION	DATE	DWN	APVD
H3		ECR-23-169886	17APR2023	BV	GB
H4		(5- -3) added & DIM.11 Tolerance changed.	13MAY2025	BV	SZG
H5		Alternate CAV.ID design added.	11SEP2025	BV	GB
H6		Drawing error (DIM.11) was fixed	23SEP2025	BV	GB



SCALE 5:1



same as 281934-3	same as 281934-3	same as 281934-3	YELLOW	LSR	H	5-281934-3	H4
same as 281934-2	same as 281934-2	same as 281934-2	YELLOW	LSR	H	5-281934-2	H3
1.2 - 1.6	1.0±0.2	1.0±0.2	WHITE	FLUORSILICONE RUBBER (FSL)	H	281934-5	
			GREEN	SILICONE RUBBER (LSR)	H	281934-4	
2.5 - 3.3	2.0±0.2	1.8±0.2	RED	SILICONE RUBBER (LSR)	H	281934-3	
1.7 - 2.4	1.4±0.2	1.4±0.2	YELLOW	SILICONE RUBBER (LSR)	H	281934-2	
SUITABLE FOR INS. DIA	DIM. "Y"	DIM. "X"	COLOUR	MATERIAL	REV.	P/N	



THIS DRAWING IS A CONTROLLED DOCUMENT.

DWN C. BERTINI 12-'88

CHK A. BRUNI 05-'92

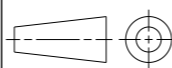
APVD -

NAME SINGLE WIRE SEAL



DIMENSIONS: mm

TOLERANCES UNLESS OTHERWISE SPECIFIED:



0 PLC ±0.3
 1 PLC ±0.3
 2 PLC ±
 3 PLC ±
 4 PLC ±
 ANGLES ±2°

MATERIAL

FINISH

SEE TABLE

PRODUCT SPEC	-
APPLICATION SPEC	-
WEIGHT	-
Customer Drawing	

SIZE A3	CAGE CODE -	DRAWING NO. C-281934	RESTRICTED TO -
SCALE 7:1	SHEET 1 OF 1	REV H6	