

# M 282080-1



*Proseguire nella pagina successiva per visualizzare la scheda tecnica dei componenti*

Revisione	Prodotto
REV.01 10/04/2026	AfterMarket

4

3

2

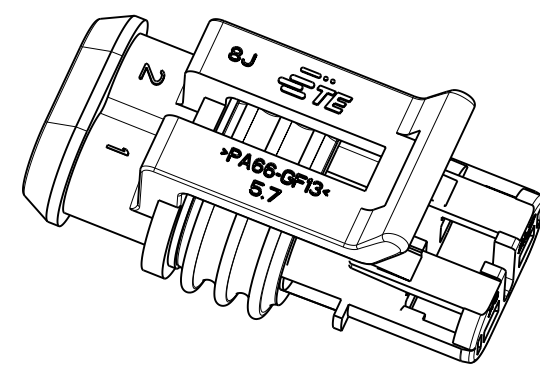
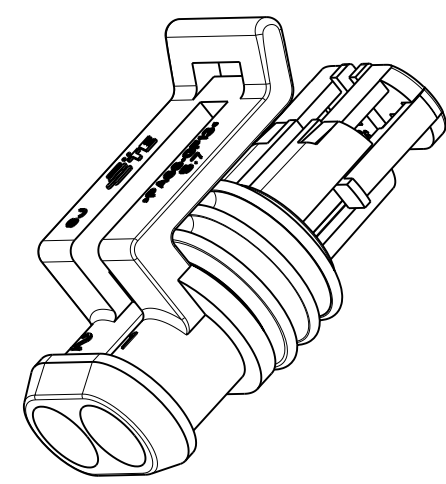
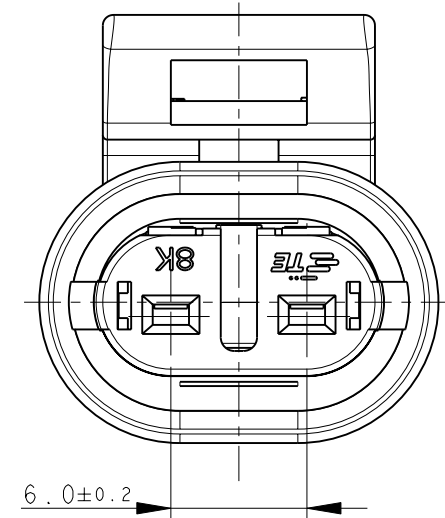
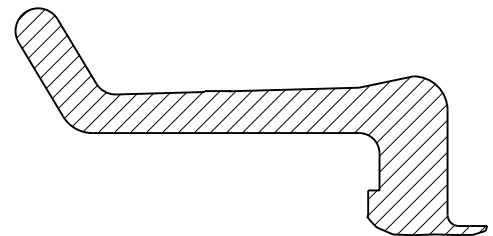
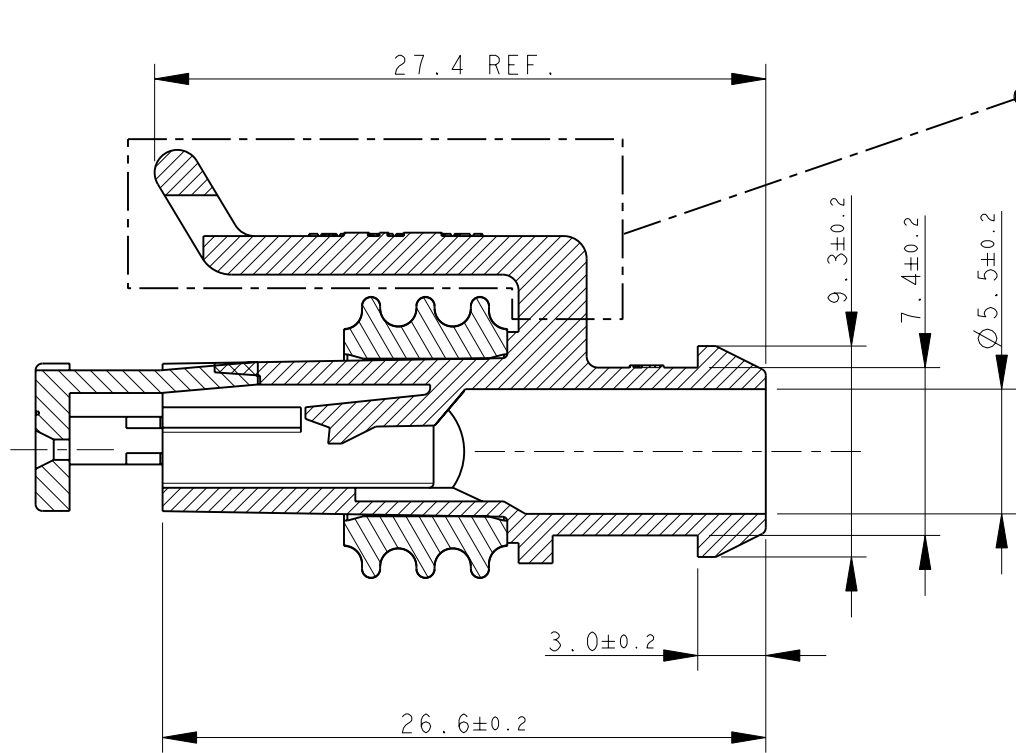
1

THIS DRAWING IS UNPUBLISHED. RELEASED FOR PUBLICATION 2011

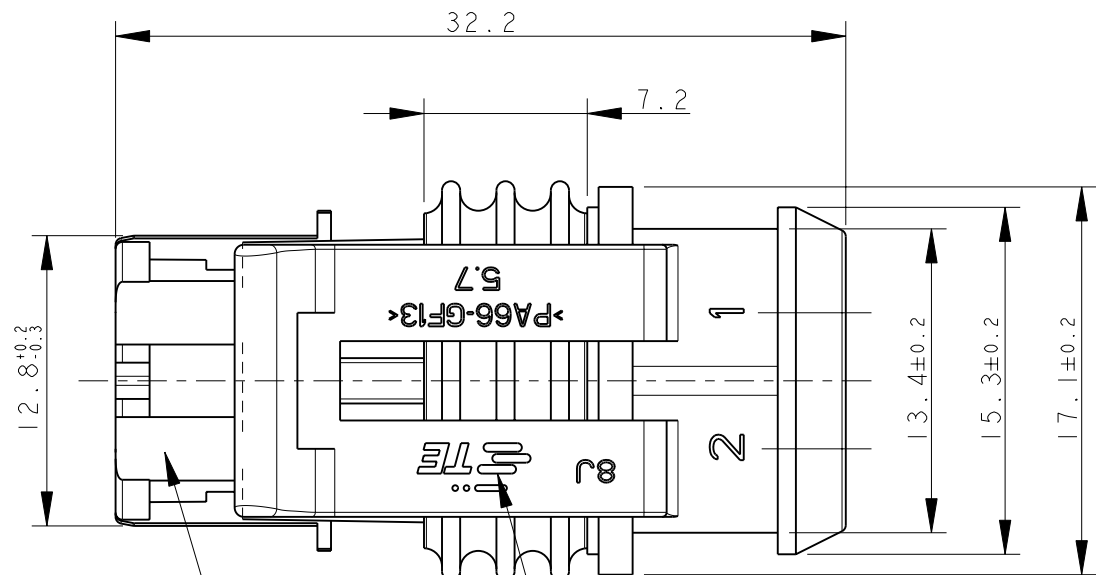
© COPYRIGHT 2011 ALL RIGHTS RESERVED.

LOC	DIST	REVISIONS				
P	LTR	DESCRIPTION	DATE	DWN	APVD	
		C5	REVISED FOR ECR-11-009825	20MAY2011	M.G.	M.G.
		C6	REVISED BY ECR-11-024280	13DEC2011	M.F.	M.G.

### ALTERNATIVE DESIGN OF LOCKING LANCE



1) FOR COUNTERPART DETAILS, SEE SHEET 2 OF 2



BROWN	PA66-GF	282080-4
GREEN		282080-3
GRAY		282080-2
BLACK		282080-1
FINISH/COLOR	MATERIAL	PART NUMBER

TE CONNECTIVITY TRADE MARK, (IN ALTERNATIVE: "AMP" LOGO, OR "Tyco Electronics" LOGO)

SEALING (SILICONE RUBBER)

PRE-ASSEMBLED SECONDARY LOCK (RED COLOR)

THIS DRAWING IS A CONTROLLED DOCUMENT.		DWN C. BERTINI 05-1992	TE Connectivity			
DIMENSIONS: mm		CHK A. BRUNI 05-1992				
TOLERANCES UNLESS OTHERWISE SPECIFIED:		APVD -	NAME			
0 PLC ±-		PRODUCT SPEC 108-20090	AMP SUPERSEAL 1.5 SRS. 2 POSITIONS PLUG ASS'Y			
1 PLC ±0.3		APPLICATION SPEC 412-20000				
2 PLC ±-		WEIGHT 2.60gr	SIZE A3	CAGE CODE 00779	DRAWING NO C-282080	RESTRICTED TO -
3 PLC ±-		CUSTOMER DRAWING		SCALE 5:1	SHEET 1 OF 2	REV C6
4 PLC ±-						
ANGLES ±2°						
FINISH -						

THIS DRAWING IS UNPUBLISHED.

RELEASED FOR PUBLICATION

2011

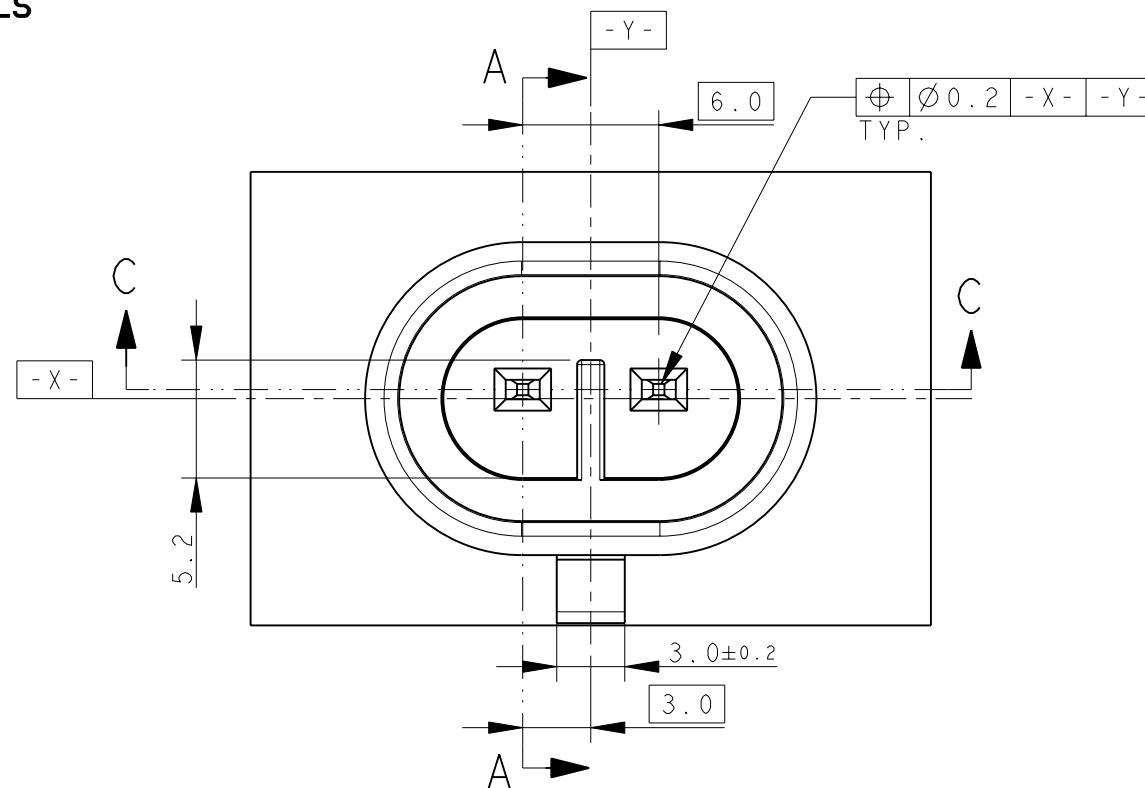
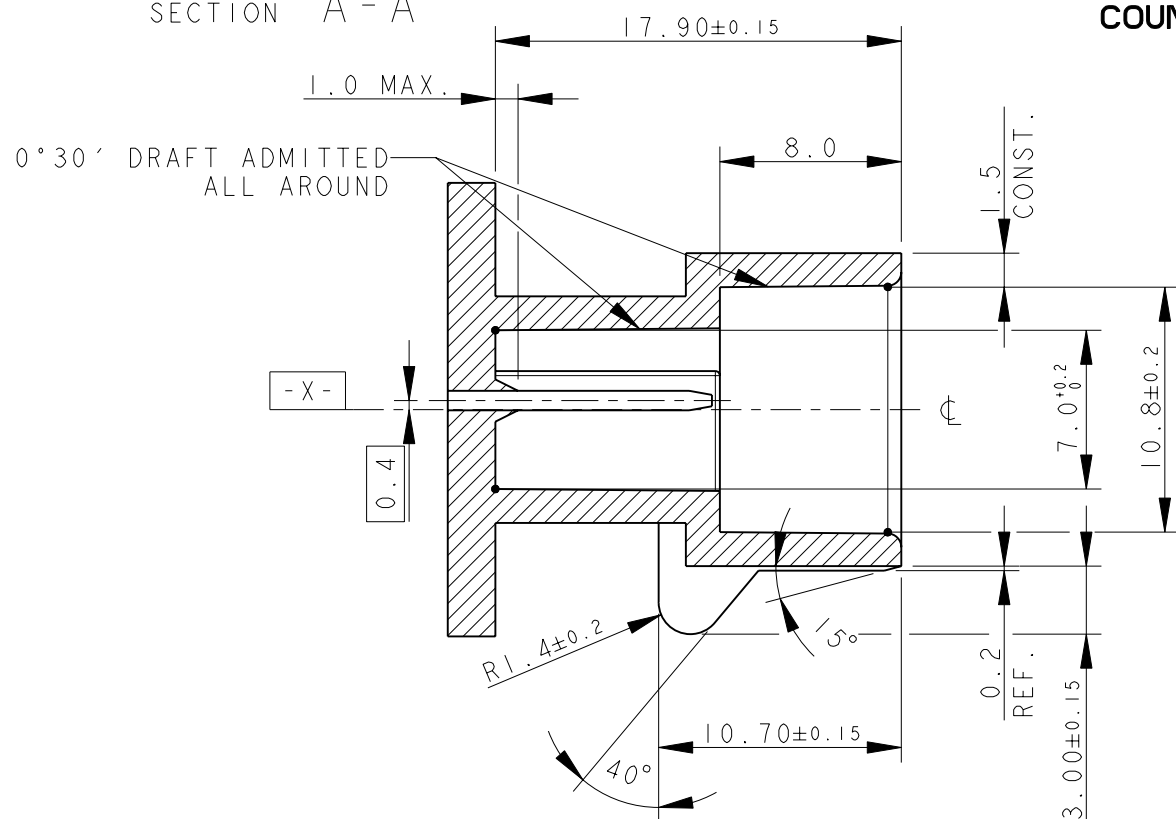
© COPYRIGHT 2011

ALL RIGHTS RESERVED.

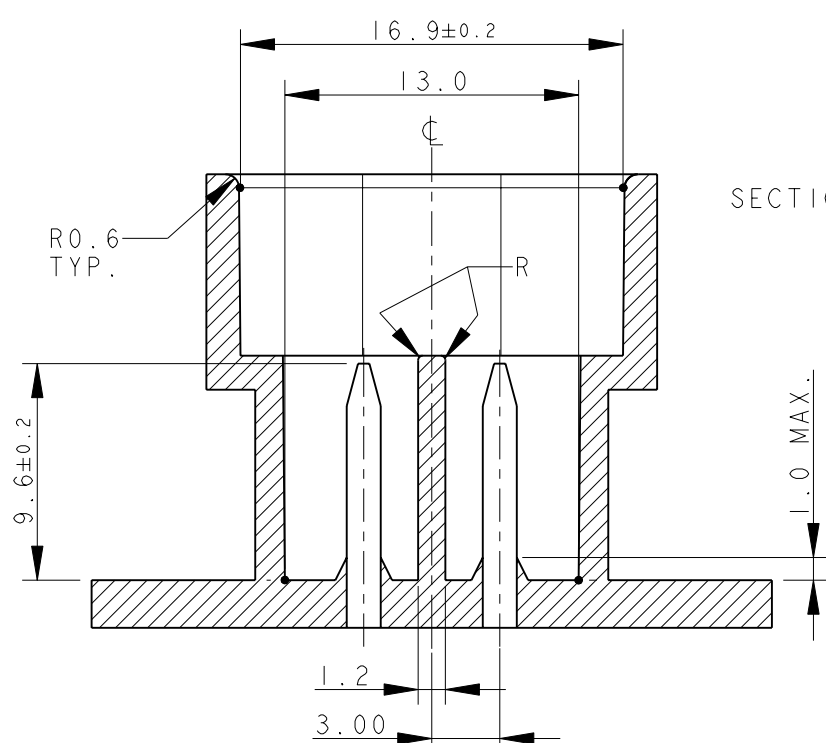
LOC	DIST	REVISIONS			
P	LTR	DESCRIPTION	DATE	DWN	APVD
-	-	SEE SHEET 1	-	-	-

### SECTION A - A

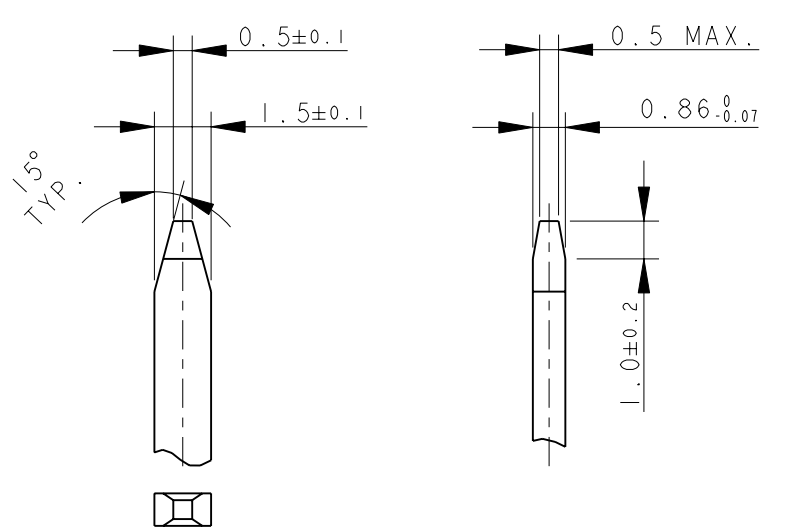
### COUNTERPART DETAILS



### SECTION C - C



### TAB DETAILS



THIS DRAWING IS A CONTROLLED DOCUMENT.		DWN C. BERTINI 05-1992	<b>TE Connectivity</b>		
DIMENSIONS: mm		CHK A. BRUNI 05-1992			
TOLERANCES UNLESS OTHERWISE SPECIFIED:		APVD -	NAME		
0 PLC ±0.3 1 PLC ±0.1 2 PLC ±0.05 3 PLC ± 4 PLC ± ANGLES ±2°		PRODUCT SPEC -	AMP SUPERSEAL 1.5 SRS. 2 POSITIONS PLUG ASS'Y		
MATERIAL		APPLICATION SPEC -	SIZE A300779	CAGE CODE C-282080	RESTRICTED TO -
FINISH		WEIGHT -	SCALE 3:1		SHEET 2 OF 2
MATERIAL: PA66-GF FOR HOUSING TIN PLATED BRASS FOR TABS		CUSTOMER DRAWING		REV C6	

MATERIALS: PA66-GF FOR HOUSING  
 TIN PLATED BRASS FOR TABS