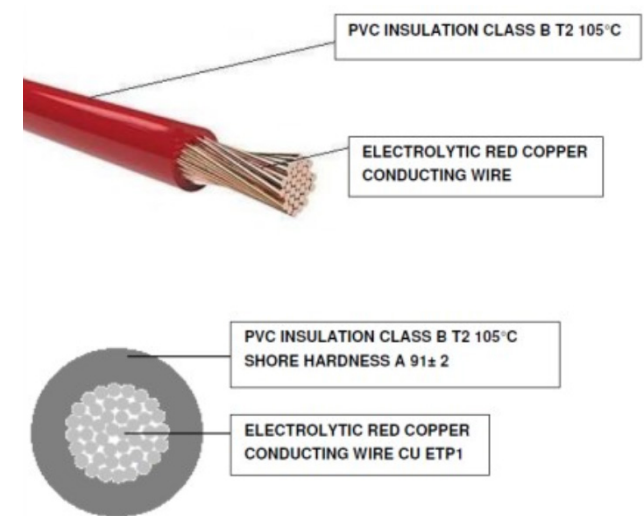


M 282087-C



Caratteristiche CAVO	
Temperatura d'uso	-40 °C / +105 °C (IDLE STATE)
Sezione	1.00 mmq
Colore	Nero
Documenti di riferimento	ISO 19642 : 2019 / DIN 72551 ISO 6722 CLASS B / LV 112 / ISO 3795 FIAT 91107 / 18 (where applicable) ROHS II/III UN R118
Lunghezza	20 cm
Tipologia	F3T2



CROSS SECTION	COND. CONSTR.	EXT. DIAMETER.	INSUL. MATERIAL	EL. RES. MAX 20°	MAX VOLT.	INSULATION THICKNESS (+)
1 x 1,00	32 x 0,20 ± 0,01 mm	2,10 +0 mm -0,2 mm	PVC T2 HT 105 °C	18,5 OHM/KM	< 300 V	≥ 0,24

Proseguire nella pagina successiva per visualizzare la scheda tecnica dei componenti

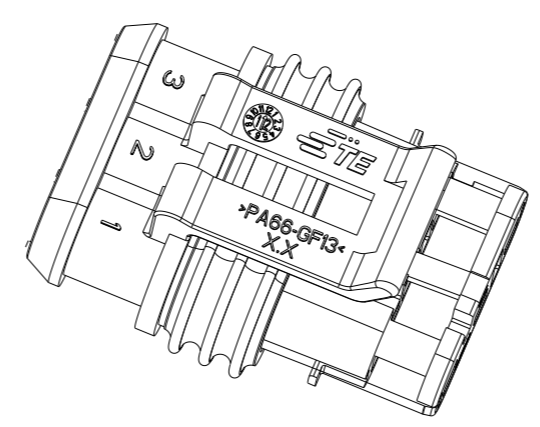
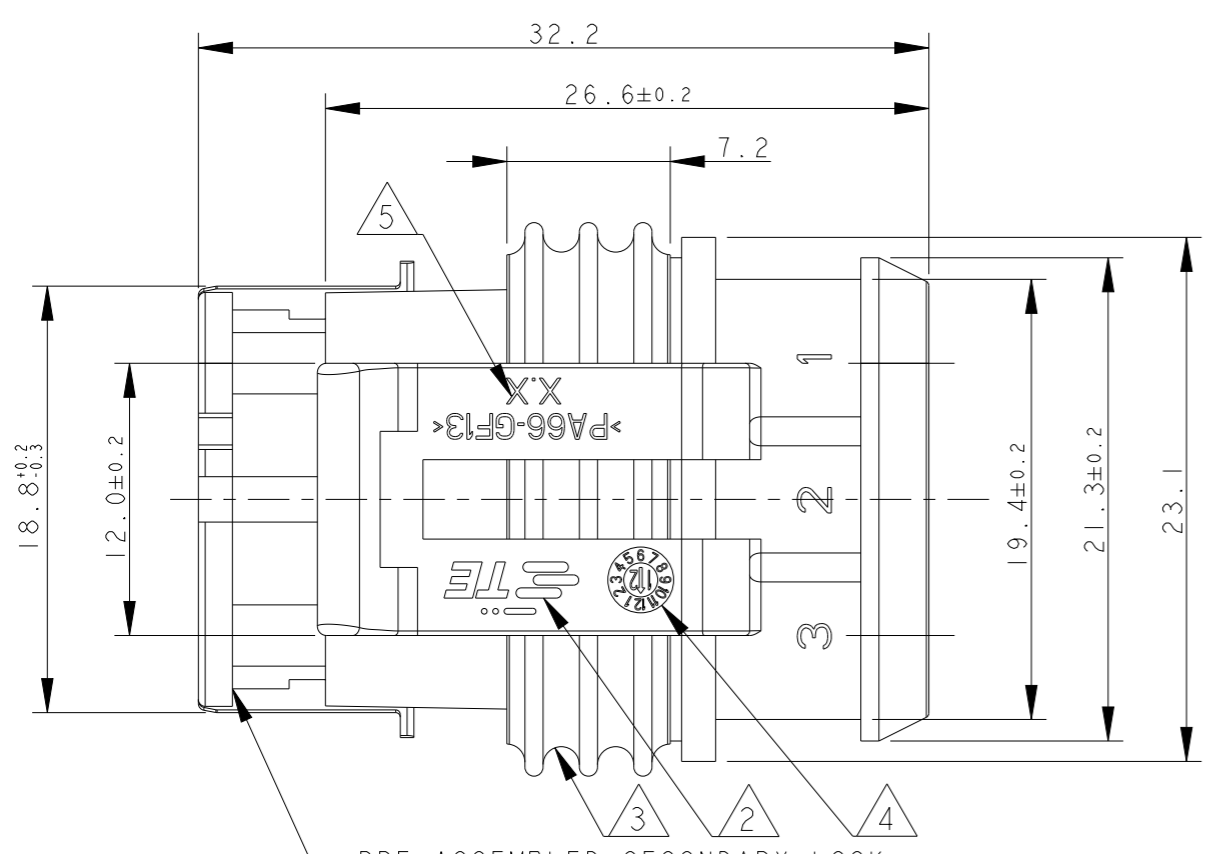
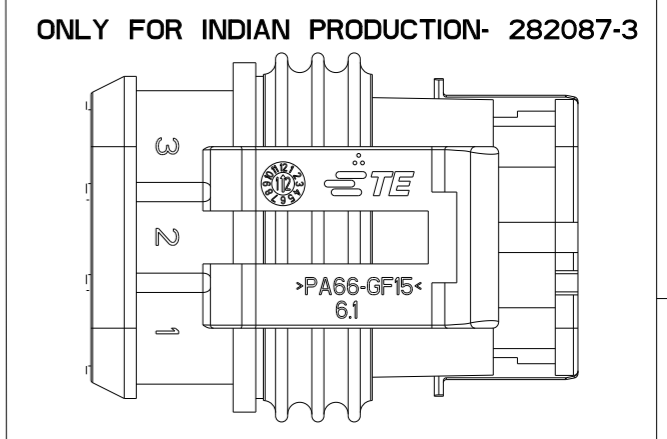
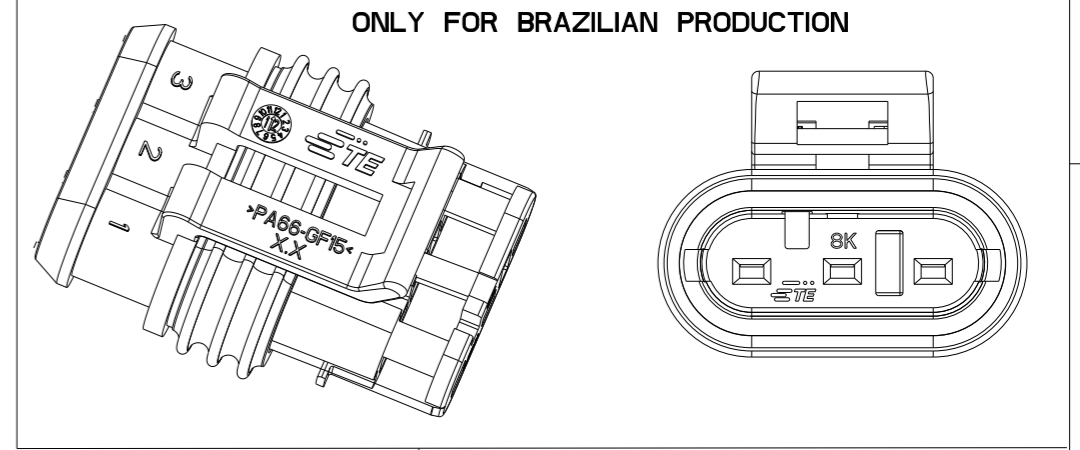
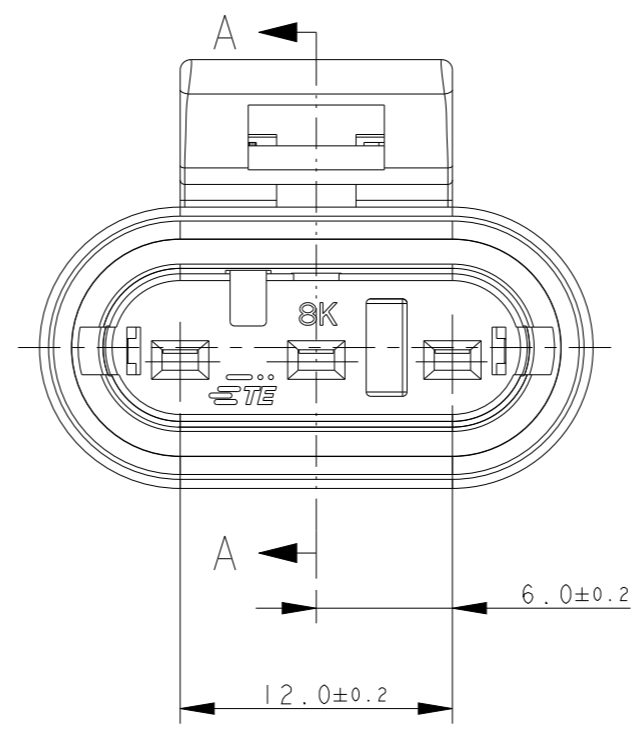
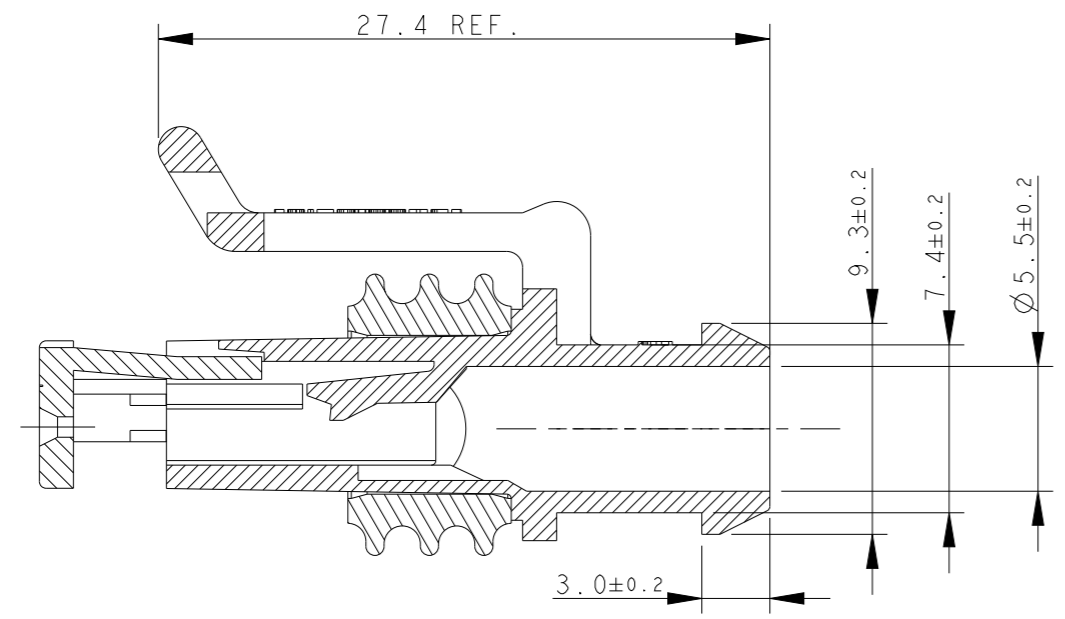
Revisione	Prodotto
REV.00 10/04/2026	AfterMarket

THIS DRAWING IS UNPUBLISHED. RELEASED FOR PUBLICATION 2011
COPYRIGHT 2011 ALL RIGHTS RESERVED.

REVISIONS

P	LTR	DESCRIPTION	DATE	DWN	APVD
C4		REVISED PER ECO-18-012780	13AUG2018	AP	VN
C5		REVISED PER ECO-19-017338	15NOV2019	AP	VN
C6		REVISED PER ECR-21-103343	19MAY2021	AP	VN
C7		REVISED PER ECN-26-364569	20JAN2026	V.N.	V.N.

SECTION A - A



(*) PRELIMINARY

FINISH/COLOR	MATERIAL	PART NUMBER
HSG-WHITE, SL-WHITE	ACC. TO IEC 60335-1 HSG+SL: PA66GF20 UL94-V2 SEALING: LSR	1745083-1
HSG-GRAY, SL-RED	HOUSING+SEC.LOCK:PA 66-GF SEALING: FSL	1-282087-2 (*)
HSG-BLACK, SL-RED		1-282087-1 (*)
HSG-BLACK, SL-RED	HOUSING+SEC.LOCK:PA 66-GF SEALING: LSR	282087-3
HSG-GRAY, SL-RED		282087-2
HSG-BLACK, SL-RED		282087-1

PRE-ASSEMBLED SECONDARY LOCK (COLOUR RED/WHITE)

- 1) FOR COUNTERPART DETAILS, SEE SHEET 2 OF 2
- 2) TE CONNECTIVITY TRADE MARK, (IN ALTERNATIVE: "AMP" LOGO, OR "Tyco Electronics" LOGO)
- 3) SEALING (COLOUR YELLOW FOR LSR VERSION) (COLOUR WHITE FOR FSL VERSION)
- 4) DATECODE (OPTIONAL IN OLD MOULDS).
- 5) MOULD/MOULD CAVITY NUMBER

THIS DRAWING IS A CONTROLLED DOCUMENT.	
DIMENSIONS: mm	TOLERANCES UNLESS OTHERWISE SPECIFIED:
	0 PLC ± 1 PLC ±0.3 2 PLC ± 3 PLC ± 4 PLC ± ANGLES ±2°
MATERIAL SEE TABLE	FINISH SEE TABLE

DWN C. BERTINI 07-1990	NAME
CHK A. BRUNI 07-1990	
APVD	
PRODUCT SPEC 108-20090	
APPLICATION SPEC 412-20000	
WEIGHT 3.65gr	



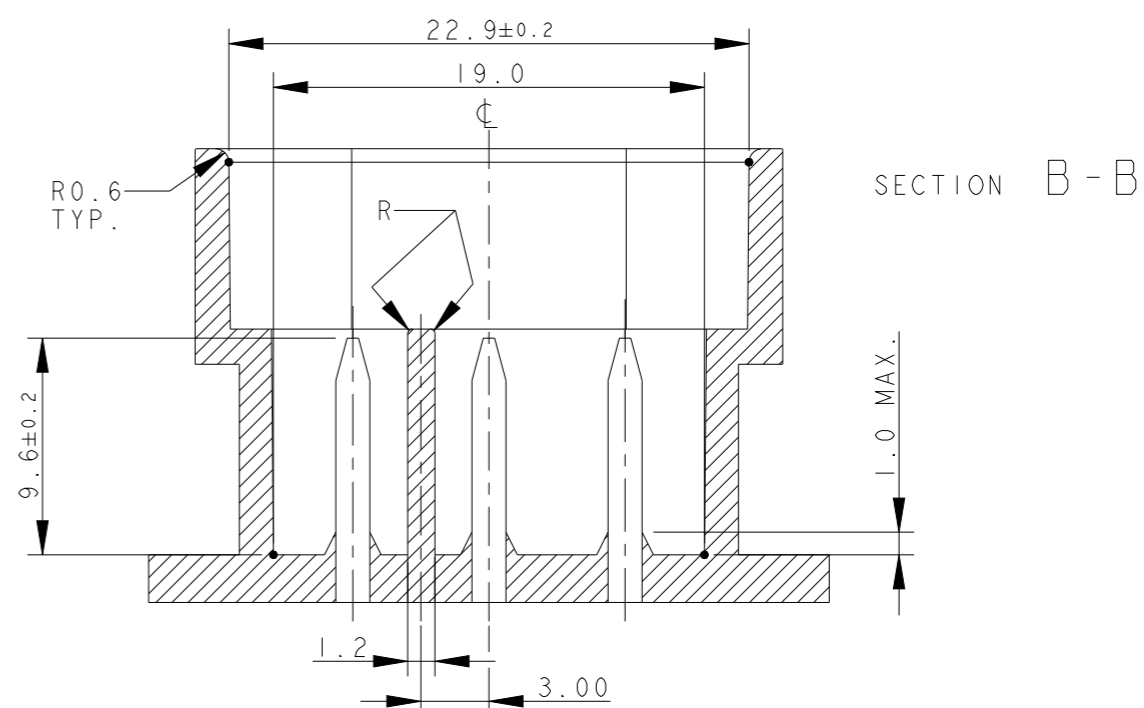
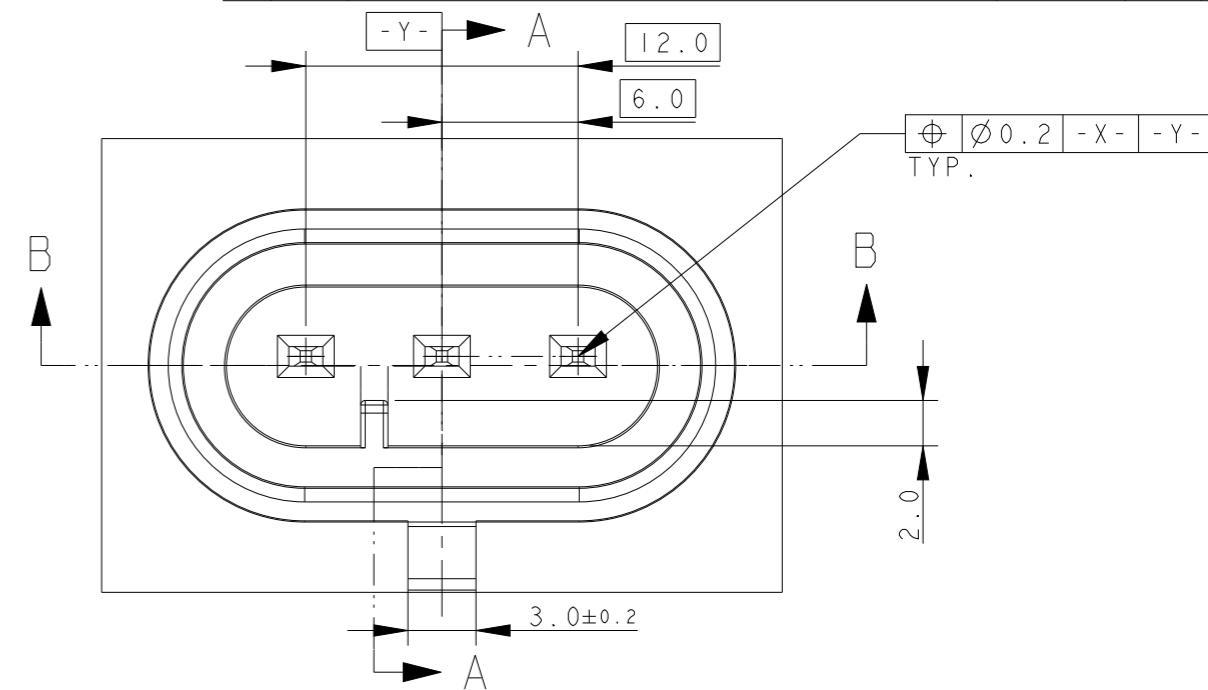
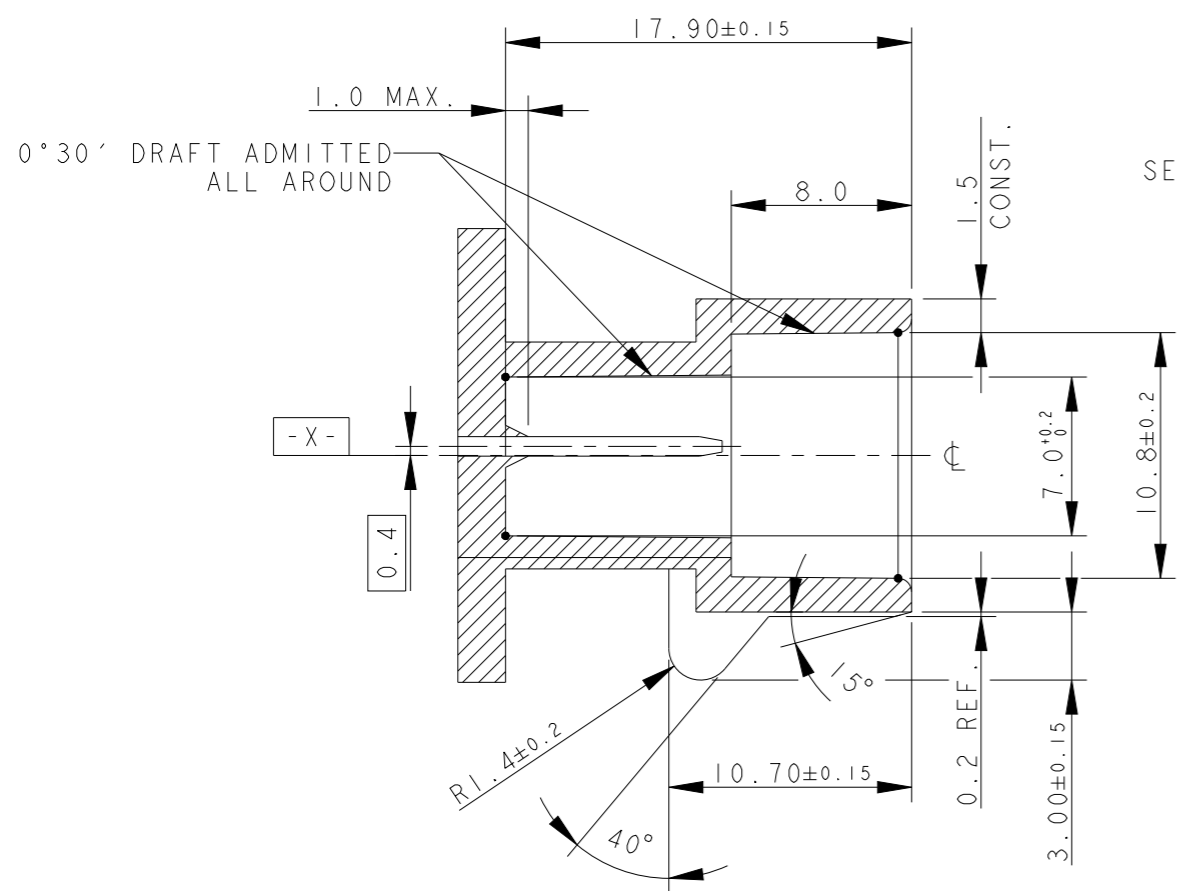
AMP SUPERSEAL 1.5 SRS.
3 POSITIONS PLUG ASS'Y

SIZE A3	CAGE CODE 00779	DRAWING NO C-282087	RESTRICTED TO
Customer Drawing	SCALE 3:1	SHEET 1 OF 2	REV C7

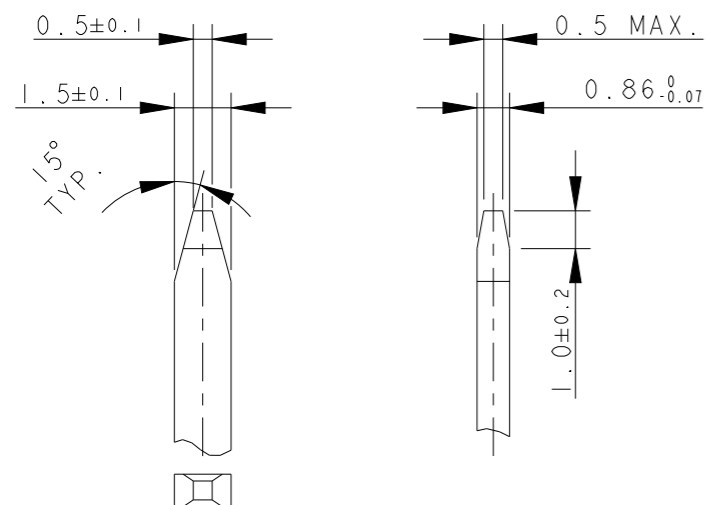
REVISIONS

P	LTR	DESCRIPTION	DATE	DWN	APVD
-	-	SEE SHEET 1	-	-	-

COUNTERPART DETAILS



TAB DETAILS



MATERIALS: PA66-GF FOR HOUSING
 TIN PLATED BRASS FOR TABS
 FOR PN 1745083-1: COUNTER PART MATL
 PART PA66-GF ACC TO IEC60335-1
 PRODUCT SPEC: 108-20090-2

THIS DRAWING IS A CONTROLLED DOCUMENT.

DWN C. BERTINI 07-1990
 CHK A. BRUNI 07-1990
 APVD -



DIMENSIONS: mm	TOLERANCES UNLESS OTHERWISE SPECIFIED:
	0 PLC ±0.3
	1 PLC ±0.1
	2 PLC ±0.05
	3 PLC ±
	4 PLC ±
MATERIAL	ANGLES ±2°
	FINISH

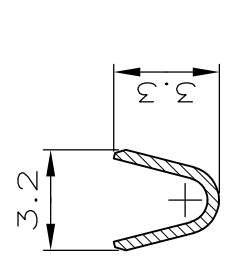
PRODUCT SPEC 108-20090
 APPLICATION SPEC 412-20000
 WEIGHT 3.65gr

NAME -
 AMP SUPERSEAL 1.5 SRS.
 3 POSITIONS PLUG ASS'Y
 SIZE A300779 CAGE CODE C-282087 DRAWING NO
 RESTRICTED TO -

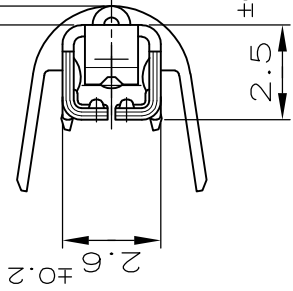
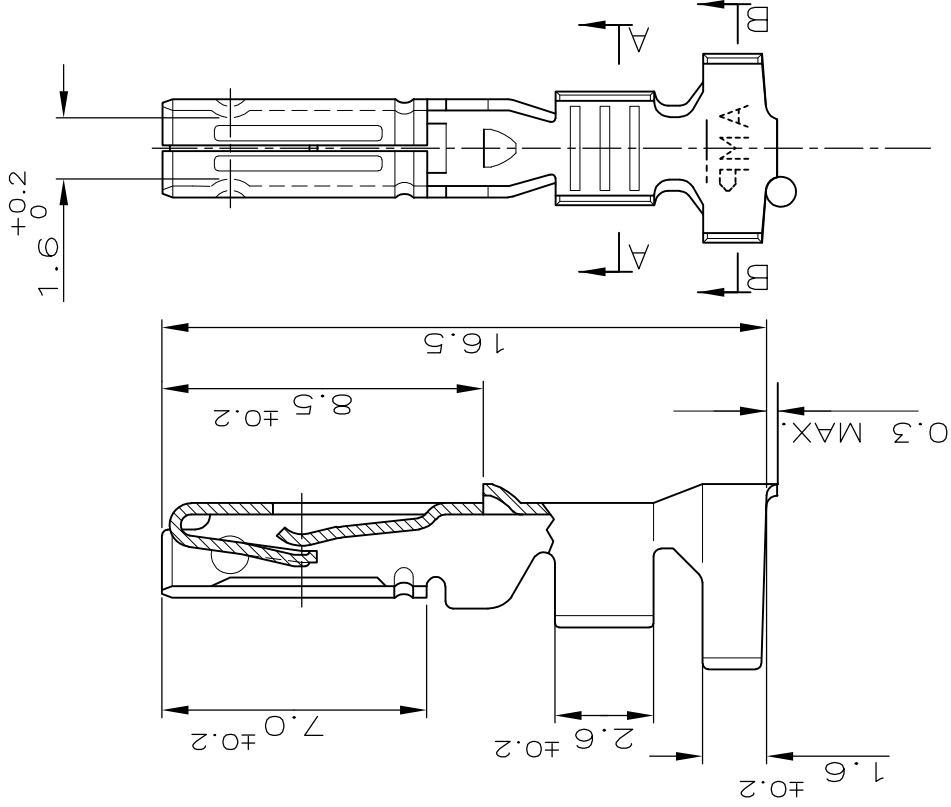
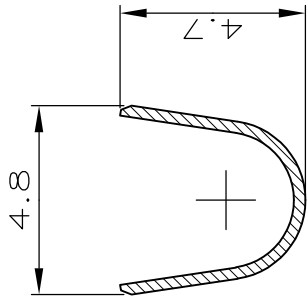
Customer Drawing SCALE 3:1 SHEET 2 OF 2 REV C7

METRIC	LOC	DIST	REVISONS		
	I	—	P	LTR	DESCRIPTION
			C3	REVISED PER ECO-11-005033	DATE
				11MAR11	DWN
				RK	APVD
				HMR	

SEZ. PARZ. A-A



SEZ. PARZ. B-B



ADATTO PER GOMMINO P/N 281934-...
(SUITABLE FOR SINGLE WIRE SEAL P/N 281934-...)

THIS DRAWING IS UNPUBLISHED.

RELEASED FOR PUBLICATION

ALL RIGHTS RESERVED.

©

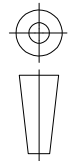
COPYRIGHT -

By -

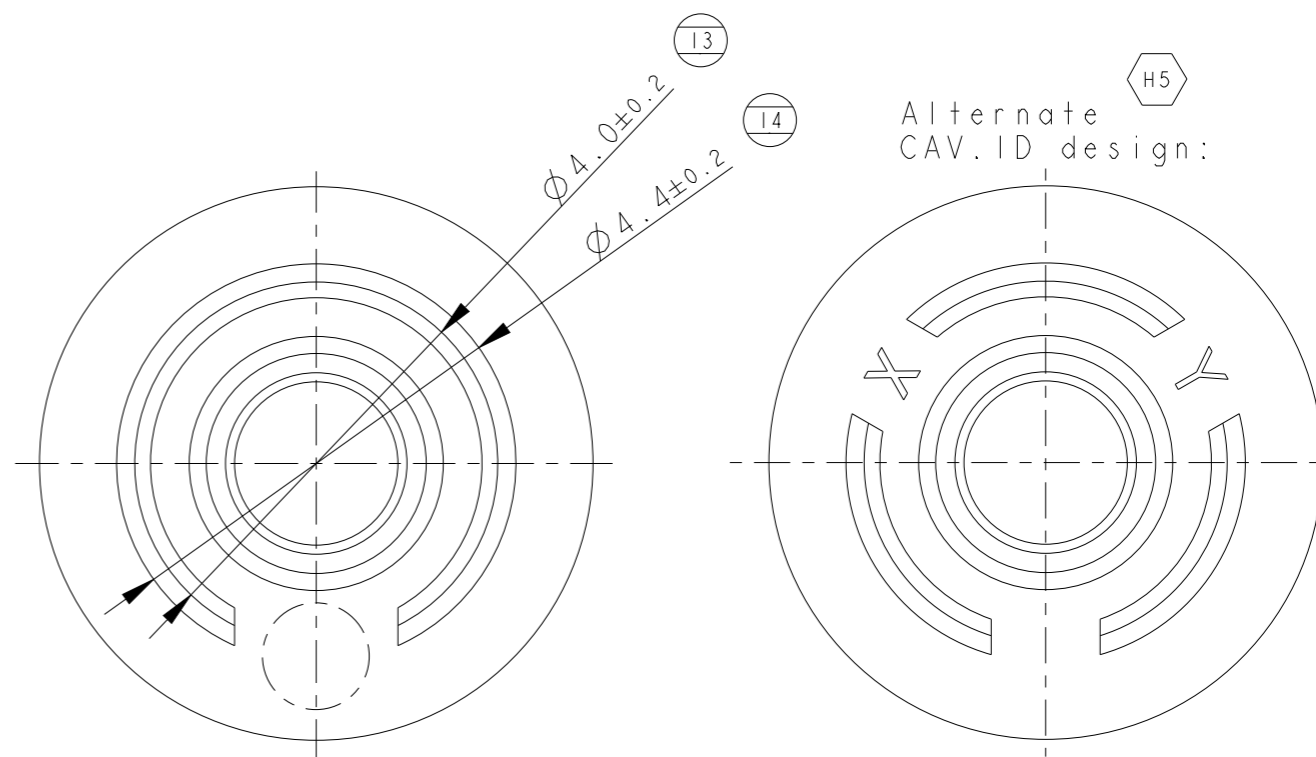
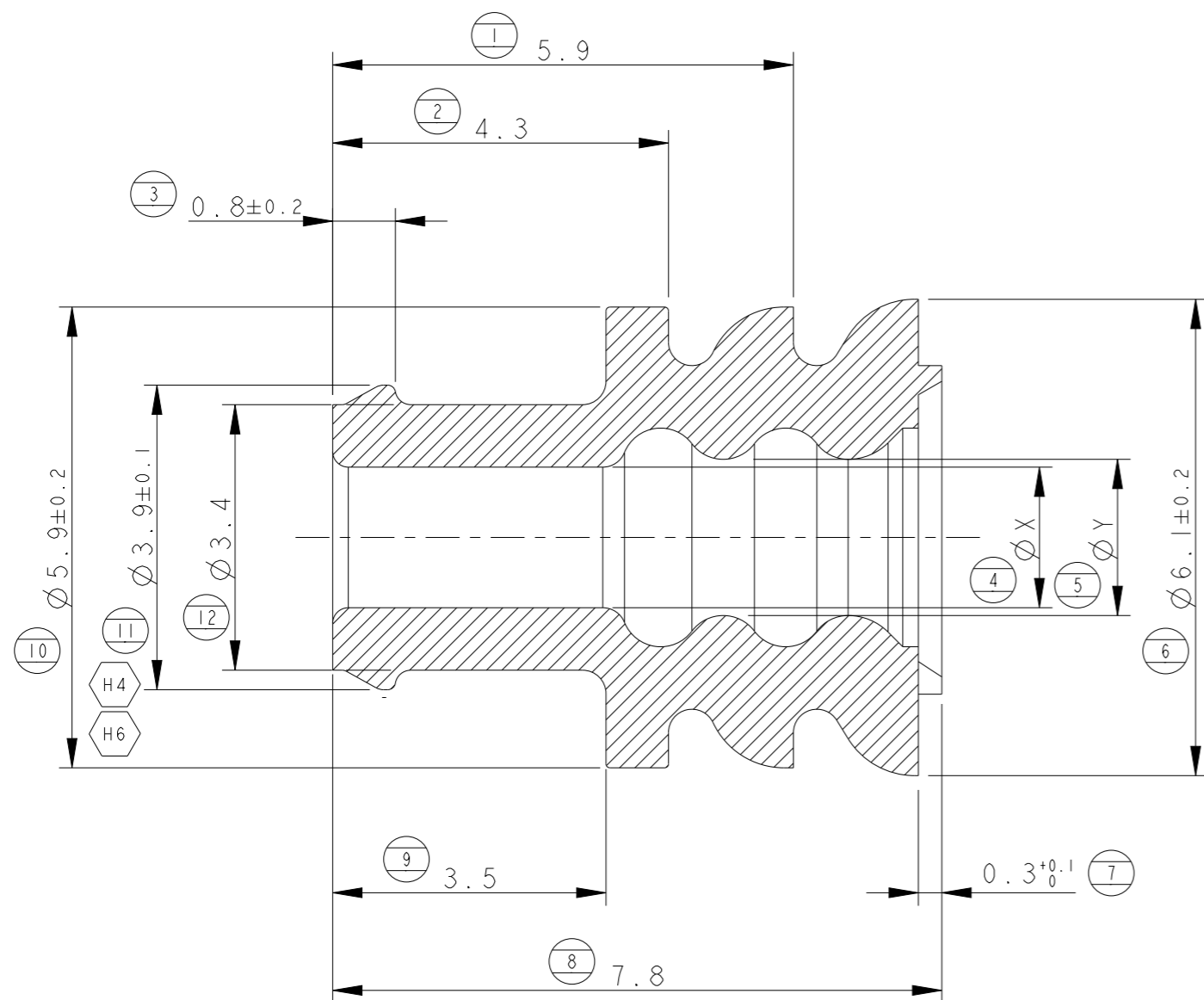
DIAM. ISOLANTE (INS. DIA. RANGE)	RANGO FILO (WIRE RANGE)
VED. NOTA	0.75-1.5mm ²

CUSTOMER DWG. FOR REFERENCE ONLY	PRE-STAGNATO (PRE-TINNED)	BRONZO FOSFOROSO (PH.BRONZE)	(RICAVATO DA 282110-1) (MADE FROM 282110-1)
DISEGNO PER CLIENTE SOLO PER RIFERIMENTO	FINITURA / COLORE (FINISH / COLOUR)	MATERIALE (MATERIAL)	NUMERO (PART NUMBER)
DWN Bassano	9 NOV.90	MATERIAL	FINISH
CHK Bertini	9 NOV.90		
APVD	-		

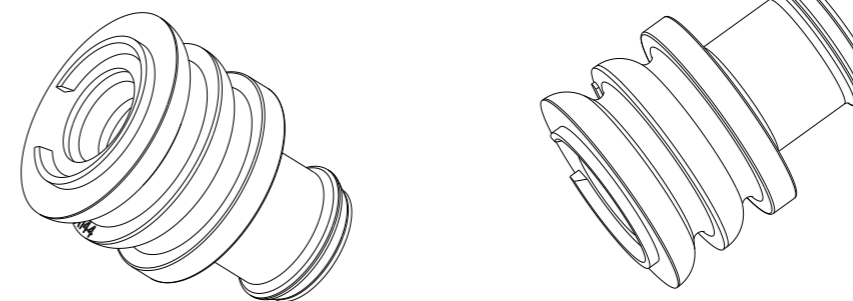
DIMENSIONS:		STE		TE Connectivity	
mm		NAME			
TOLERANCES UNLESS OTHERWISE SPECIFIED:		(LOOSE PIECE VERSION)			
0 PLC	± -	MINI MIC SRS REC. CONTACT			
1 PLC	± 0.3	CAGE CODE DRAWING NO			
2 PLC	± -	A4 00779			
3 PLC	± -	SCALE 5:1			
4 PLC	± -	SHEET 1 of 1			
ANGLES	± 2°	REV C3			
WEIGHT		CUSTOMER DRAWING			



P	LTR	DESCRIPTION	DATE	DWN	APVD
H3		ECR-23-169886	17APR2023	BV	GB
H4		(5- -3) added & DIM.11 Tolerance changed.	13MAY2025	BV	SZG
H5		Alternate CAV.ID design added.	11SEP2025	BV	GB
H6		Drawing error (DIM.11) was fixed	23SEP2025	BV	GB



SCALE 5:1

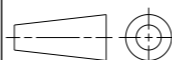


same as 281934-3	same as 281934-3	same as 281934-3	YELLOW	LSR	H	5-281934-3	H4
same as 281934-2	same as 281934-2	same as 281934-2	YELLOW	LSR	H	5-281934-2	H3
1.2 - 1.6	1.0±0.2	1.0±0.2	WHITE	FLUORSILICONE RUBBER (FSL)	H	281934-5	
			GREEN	SILICONE RUBBER (LSR)	H	281934-4	
2.5 - 3.3	2.0±0.2	1.8±0.2	RED	SILICONE RUBBER (LSR)	H	281934-3	
1.7 - 2.4	1.4±0.2	1.4±0.2	YELLOW	SILICONE RUBBER (LSR)	H	281934-2	
SUITABLE FOR INS. DIA	DIM. "Y"	DIM. "X"	COLOUR	MATERIAL	REV.	P/N	



THIS DRAWING IS A CONTROLLED DOCUMENT.

DIMENSIONS: mm



MATERIAL

SEE TABLE

TOLERANCES UNLESS OTHERWISE SPECIFIED:	
0 PLC	±0.3
1 PLC	±0.3
2 PLC	±-
3 PLC	±-
4 PLC	±-
ANGLES	±2°
FINISH	-

DWN C. BERTINI 12-'88

CHK A. BRUNI 05-'92

APVD -

PRODUCT SPEC -

APPLICATION SPEC -

WEIGHT -

Customer Drawing

12-'88

05-'92

-

-

-

-

-

Customer Drawing



TE Connectivity

SINGLE WIRE SEAL

SIZE A3 CAGE CODE - DRAWING NO C-281934 RESTRICTED TO -

SCALE 7:1 SHEET 1 OF 1 REV H6