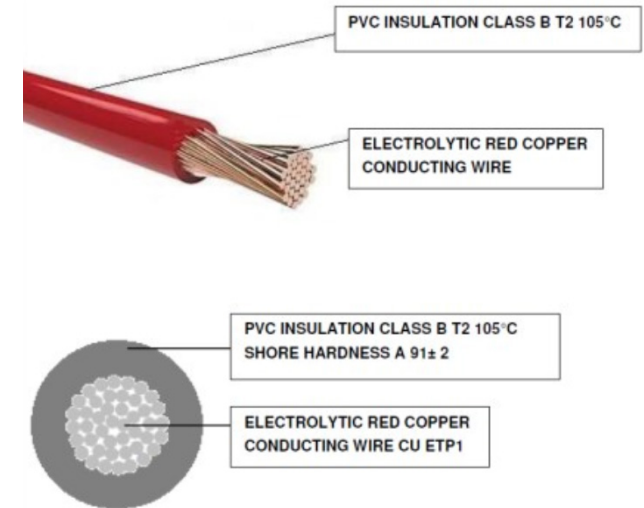


M 282088-C



Caratteristiche CAVO	
Temperatura d'uso	-40 °C / +105 °C (IDLE STATE)
Sezione	1.00 mmq
Colore	Nero
Documenti di riferimento	ISO 19642 : 2019 / DIN 72551 ISO 6722 CLASS B / LV 112 / ISO 3795 FIAT 91107 / 18 (where applicable) ROHS II/III UN R118
Lunghezza	20 cm
Tipologia	F3T2



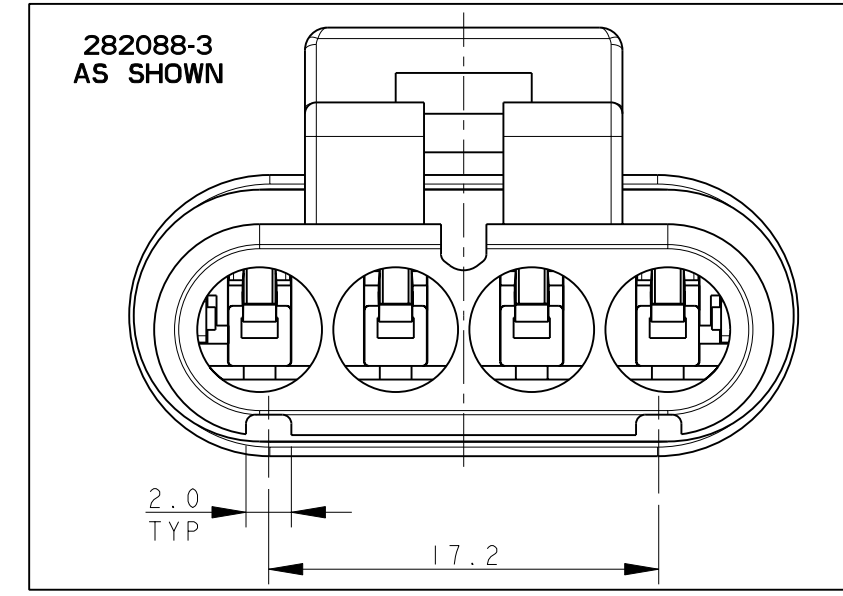
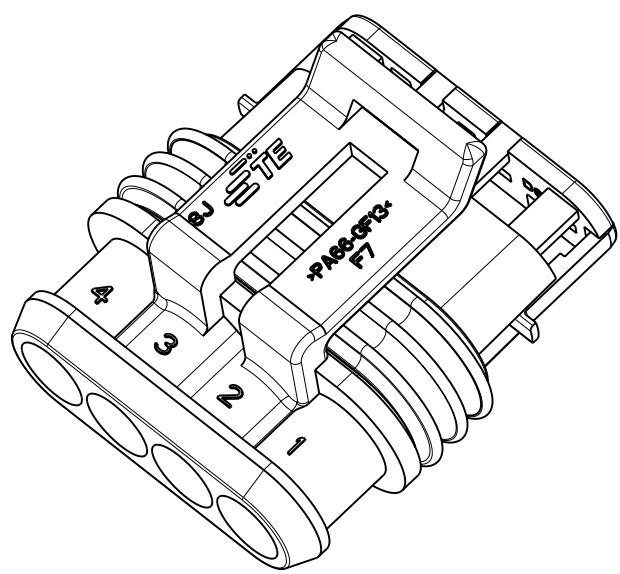
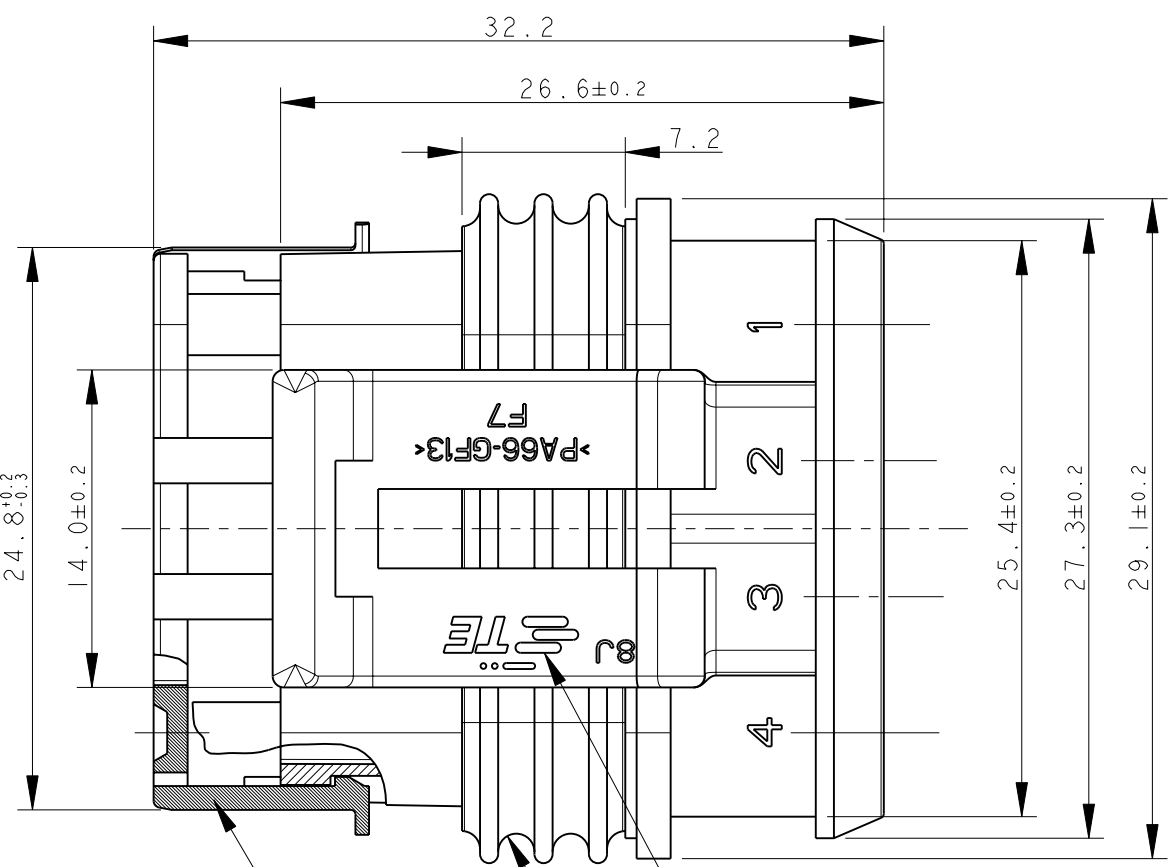
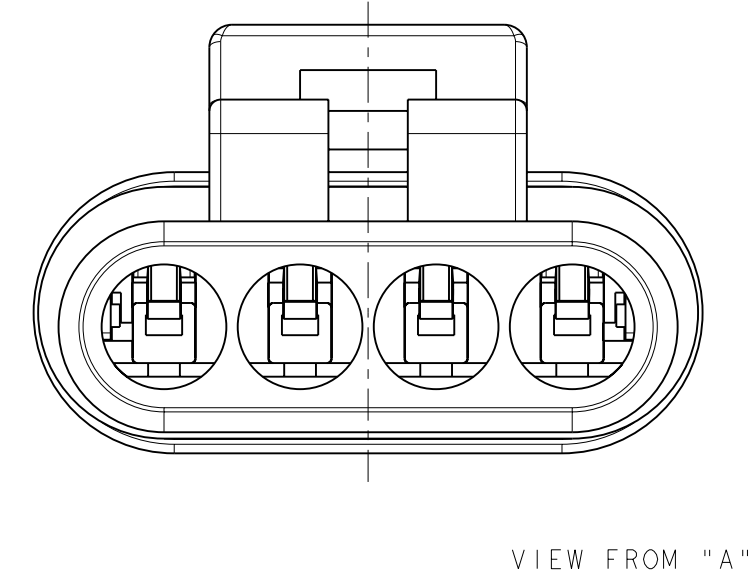
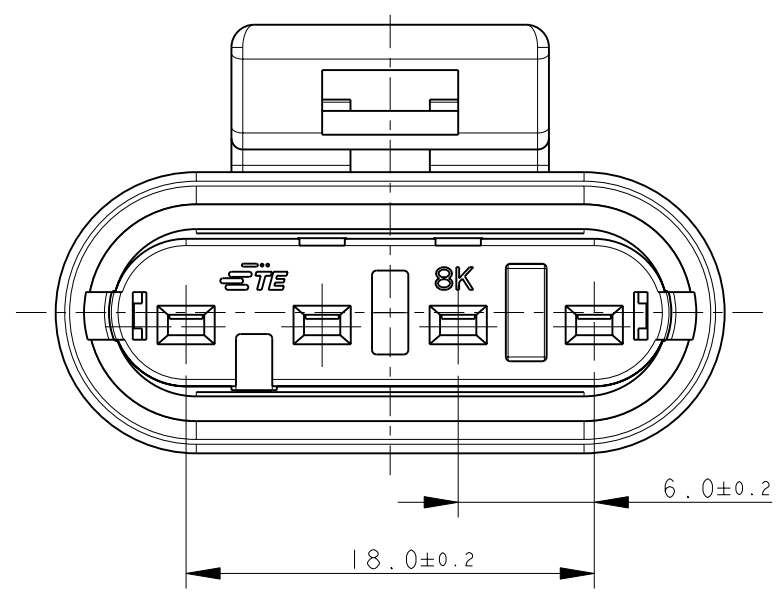
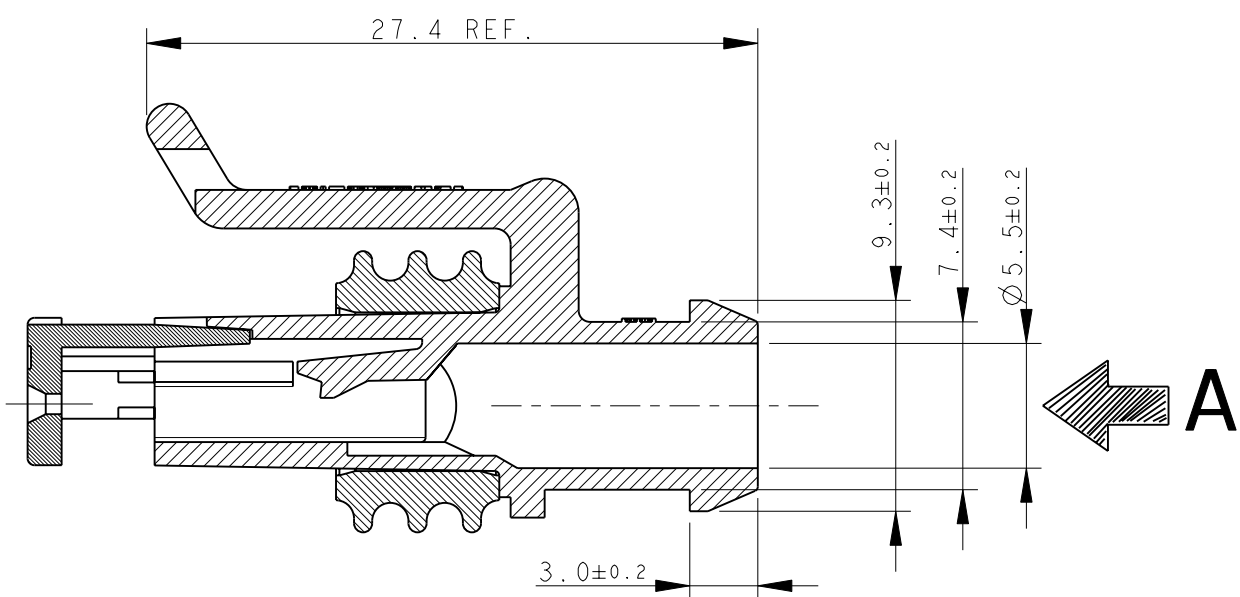
CROSS SECTION	COND. CONSTR.	EXT. DIAMETER.	INSUL. MATERIAL	EL. RES. MAX 20°	MAX VOLT.	INSULATION THICKNESS (+)
1 x 1,00	32 x 0,20 ± 0,01 mm	2,10 +0 mm -0,2 mm	PVC T2 HT 105 °C	18,5 OHM/KM	< 300 V	≥ 0,24

Proseguire nella pagina successiva per visualizzare la scheda tecnica dei componenti

Revisione	Prodotto
REV.00 10/04/2026	AfterMarket

THIS DRAWING IS UNPUBLISHED. RELEASED FOR PUBLICATION 2007
 © COPYRIGHT 2007 ALL RIGHTS RESERVED.

LOC	DIST	REVISIONS					
1	-	P	LTR	DESCRIPTION	DATE	DWN	APVD
		B4		REVISED BY ECR-11-024280	13DEC2011	M.F.	M.G.



BLACK (NERO)	PA66-GF	282088-3
GRAY (GRIGIO)	PA66-GF	282088-2
BLACK (NERO)	PA66-GF	282088-1
COLOUR (COLORE)	MATERIAL (MATERIALE)	PART NUMBER (CODICE)

TE CONNECTIVITY TRADE MARK, (IN ALTERNATIVE: "AMP" LOGO, OR "Tyco Electronics" LOGO)

SEALING (SILICONE RUBBER)

PRE-ASSEMBLED SECONDARY LOCK (RED COLOR)

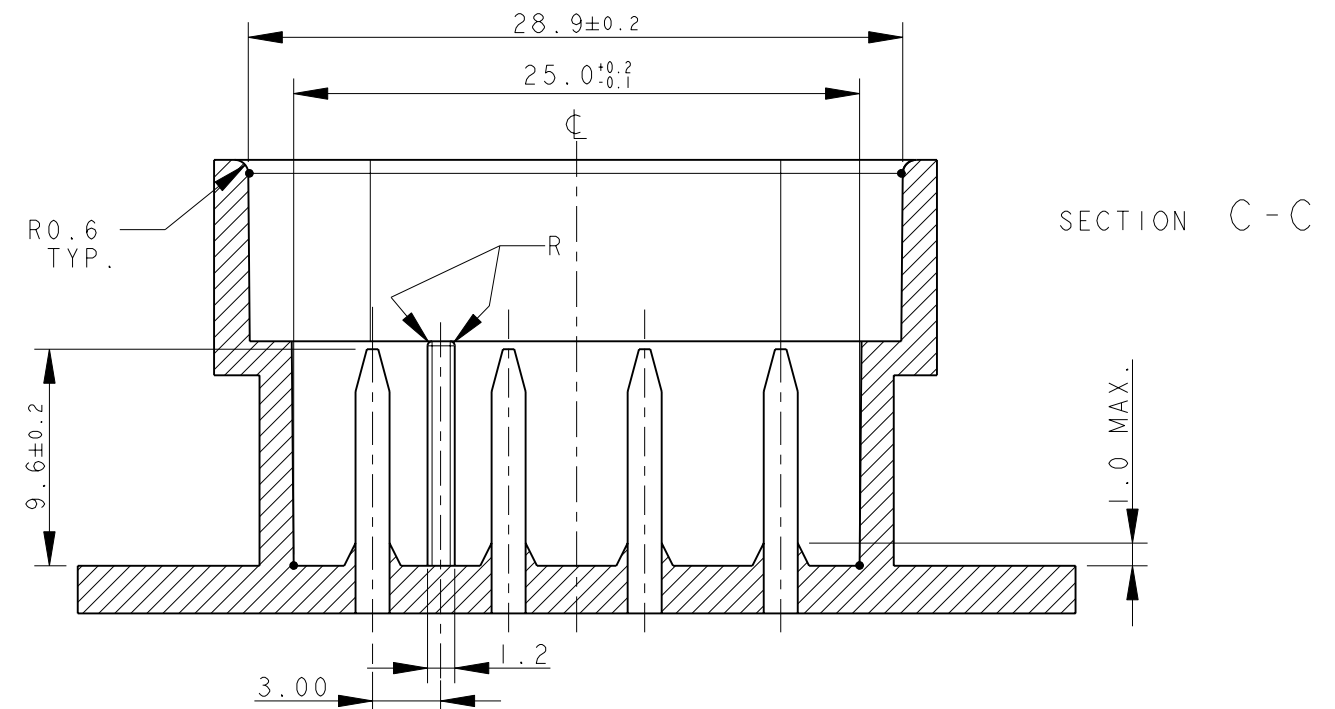
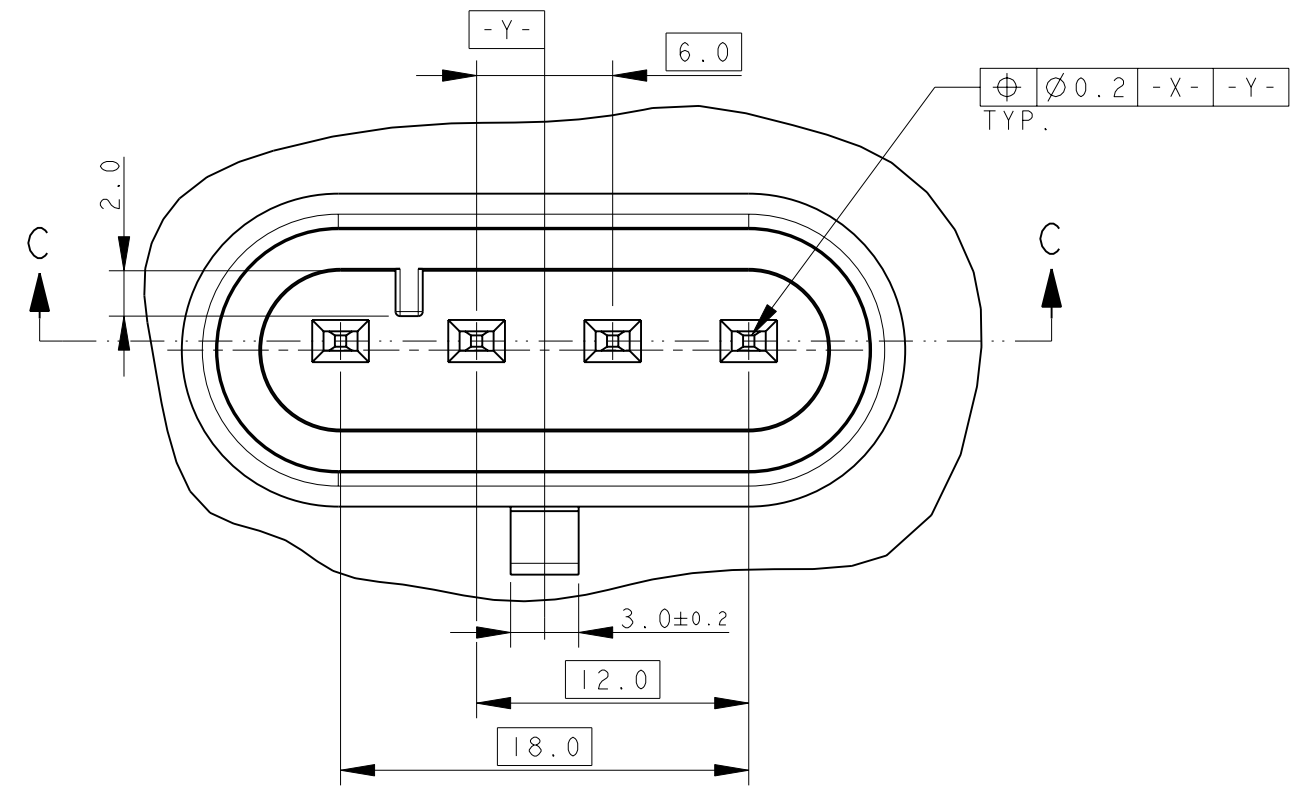
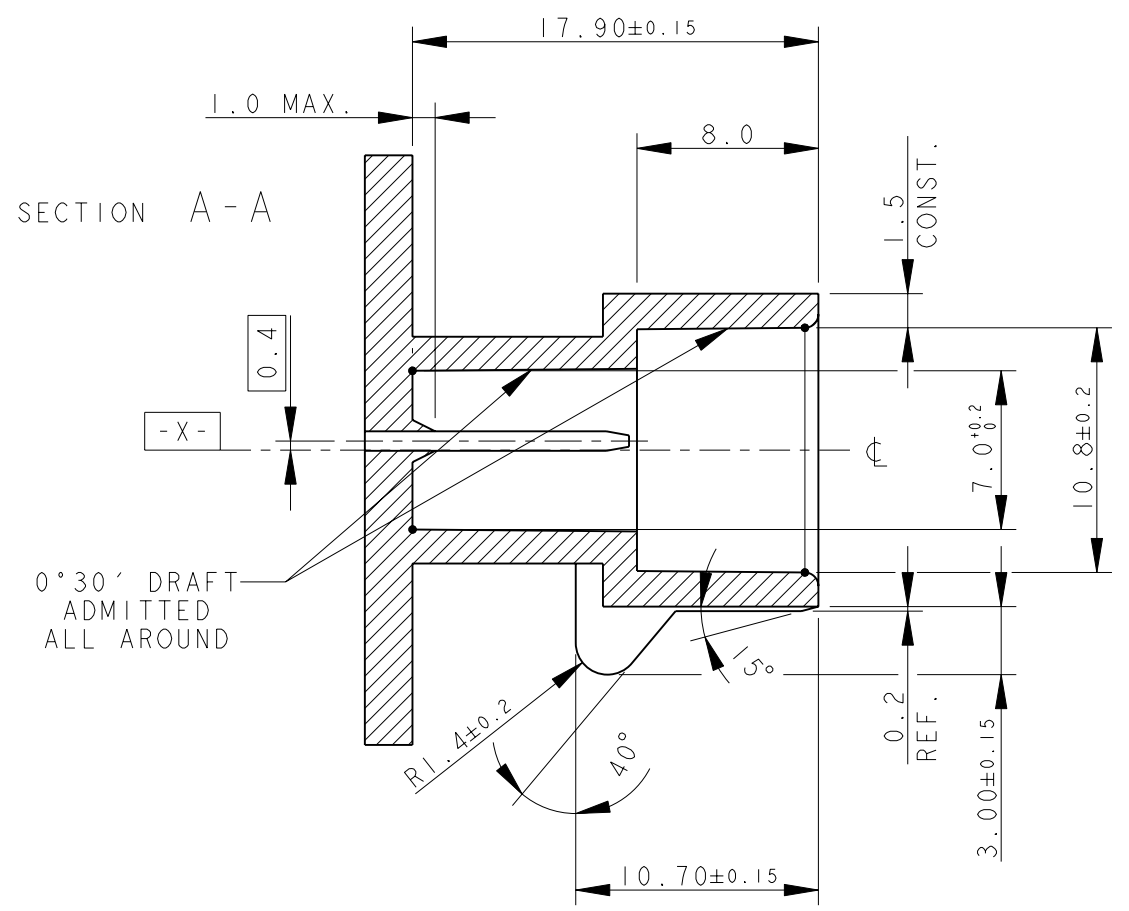
1) FOR COUNTERPART DETAILS, SEE SHEET 2 OF 2
 2) -1 AND -2 ARE DIFFERENT FOR COLOR ONLY

THIS DRAWING IS A CONTROLLED DOCUMENT.		DWN C. BERTINI 05-1992		TE Connectivity	
DIMENSIONS: mm		CHK A. BRUNI 05-1992			
TOLERANCES UNLESS OTHERWISE SPECIFIED:		APVD -		NAME	
0 PLC ±-		PRODUCT SPEC 108-20090		AMP SUPERSEAL 1.5 SRS. 4 POSITIONS PLUG ASS'Y	
1 PLC ±0.3		APPLICATION SPEC 412-20000			
2 PLC ±-		WEIGHT 4.65gr		SIZE A300779	
3 PLC ±-		CUSTOMER DRAWING		CAGE CODE G-282088	
4 PLC ±-		SCALE 5:1		DRAWING NO	
ANGLES ±2°		SHEET 1 OF 2		RESTRICTED TO	
FINISH -		REV B4			

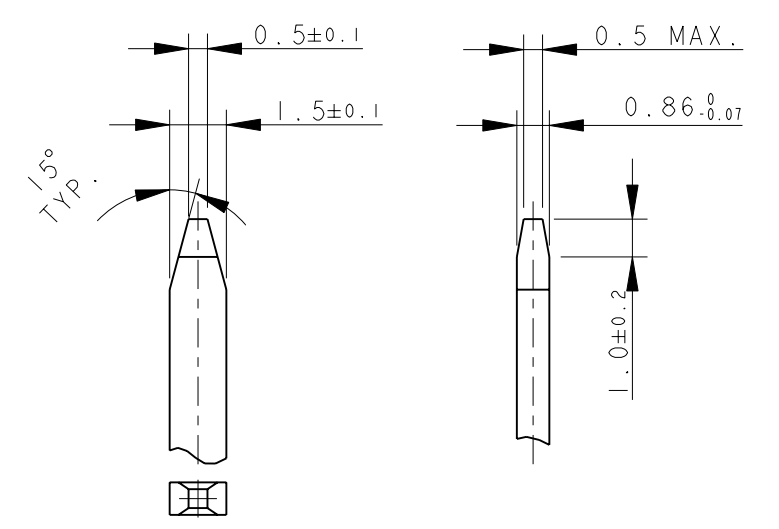
THIS DRAWING IS UNPUBLISHED. RELEASED FOR PUBLICATION 2007
 © COPYRIGHT 2007 ALL RIGHTS RESERVED.

LOC	DIST	REVISIONS			
P	LTR	DESCRIPTION	DATE	DWN	APVD
-	-	SEE SHEET 1		-	-

COUNTERPART DETAILS



TAB DETAILS

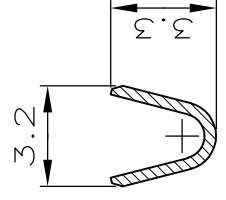


MATERIALS: PA66-GF FOR HOUSING
 TIN PLATED BRASS FOR TABS

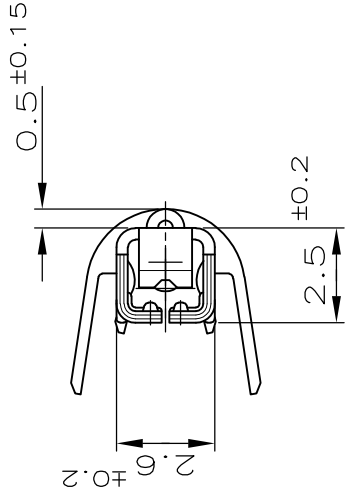
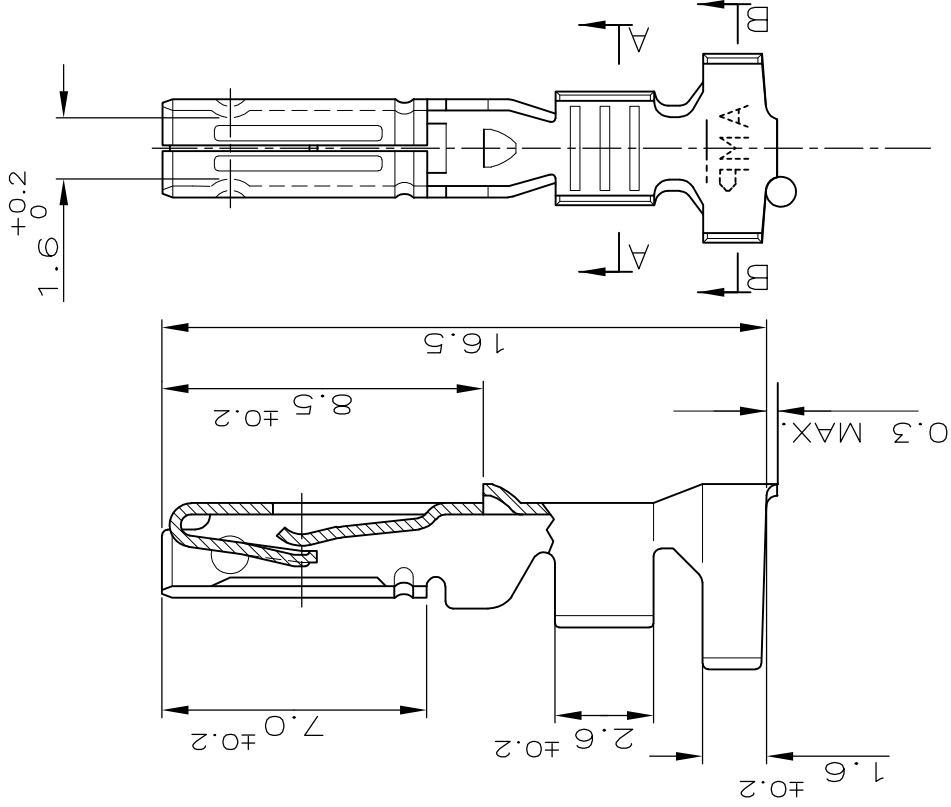
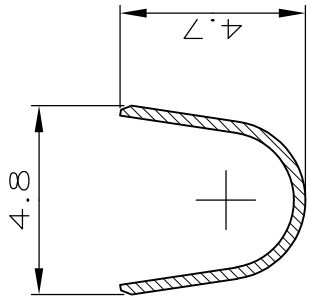
THIS DRAWING IS A CONTROLLED DOCUMENT.		DWN C. BERTINI 05-1992	TE Connectivity		
DIMENSIONS: mm		CHK A. BRUNI 05-1992			
TOLERANCES UNLESS OTHERWISE SPECIFIED:		APVD -	NAME		
0 PLC ±0.3 1 PLC ±0.1 2 PLC ±0.05 3 PLC ± 4 PLC ± ANGLES ±2°		PRODUCT SPEC -	AMP SUPERSEAL 1.5 SRS. 4 POSITIONS PLUG ASS'Y		
MATERIAL		APPLICATION SPEC -	SIZE A300779	CAGE CODE C-282088	RESTRICTED TO -
FINISH		WEIGHT -	SCALE 3:1 SHEET 2 OF 2 REV B4		
		CUSTOMER DRAWING			

METRIC	LOC	DIST	REVISONS		
	I	—	P	LTR	DESCRIPTION
			C3	REVISED PER ECO-11-005033	DATE
				11MAR11	DWN
					APVD
					RK
					HMR

SEZ. PARZ. A-A



SEZ. PARZ. B-B



ADATTO PER GOMMINO P/N 281934-...
(SUITABLE FOR SINGLE WIRE SEAL P/N 281934-...)

THIS DRAWING IS UNPUBLISHED.

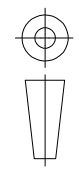
RELEASED FOR PUBLICATION

ALL RIGHTS RESERVED.

© COPYRIGHT - By -

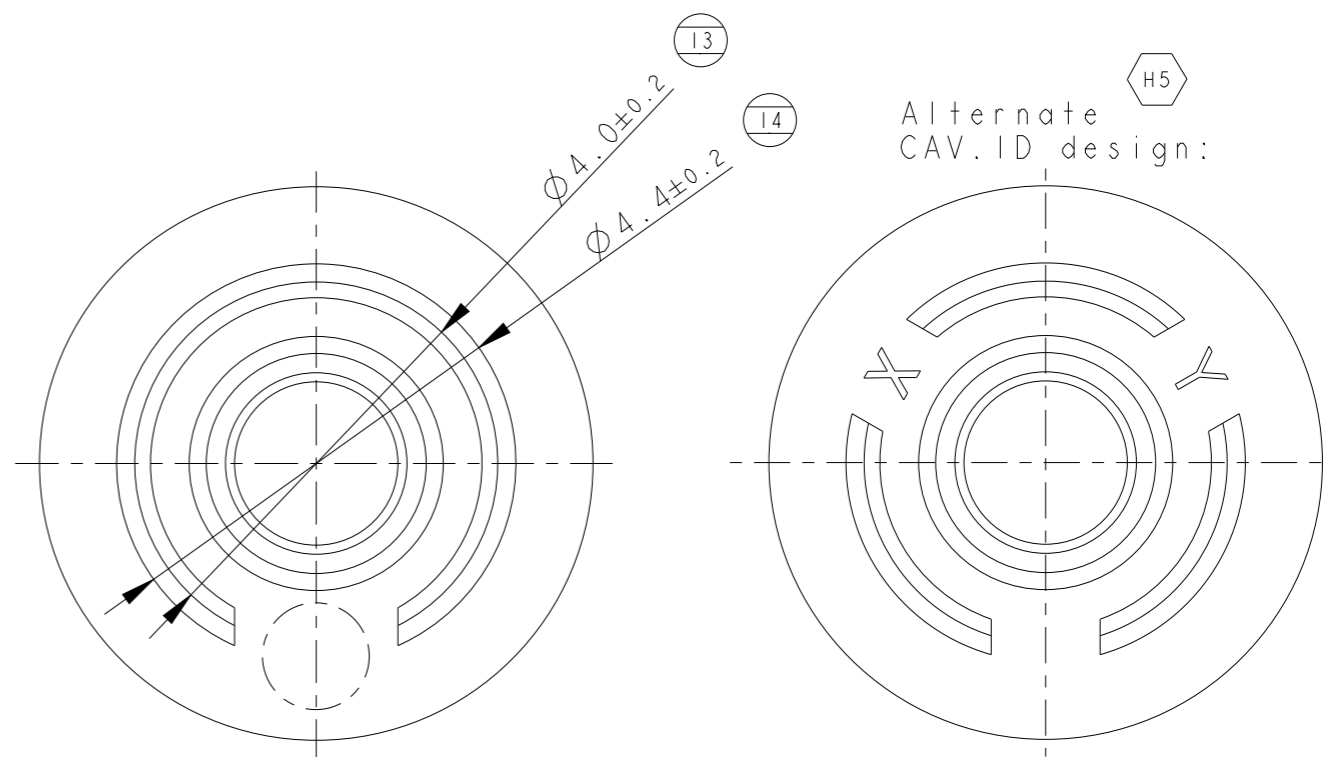
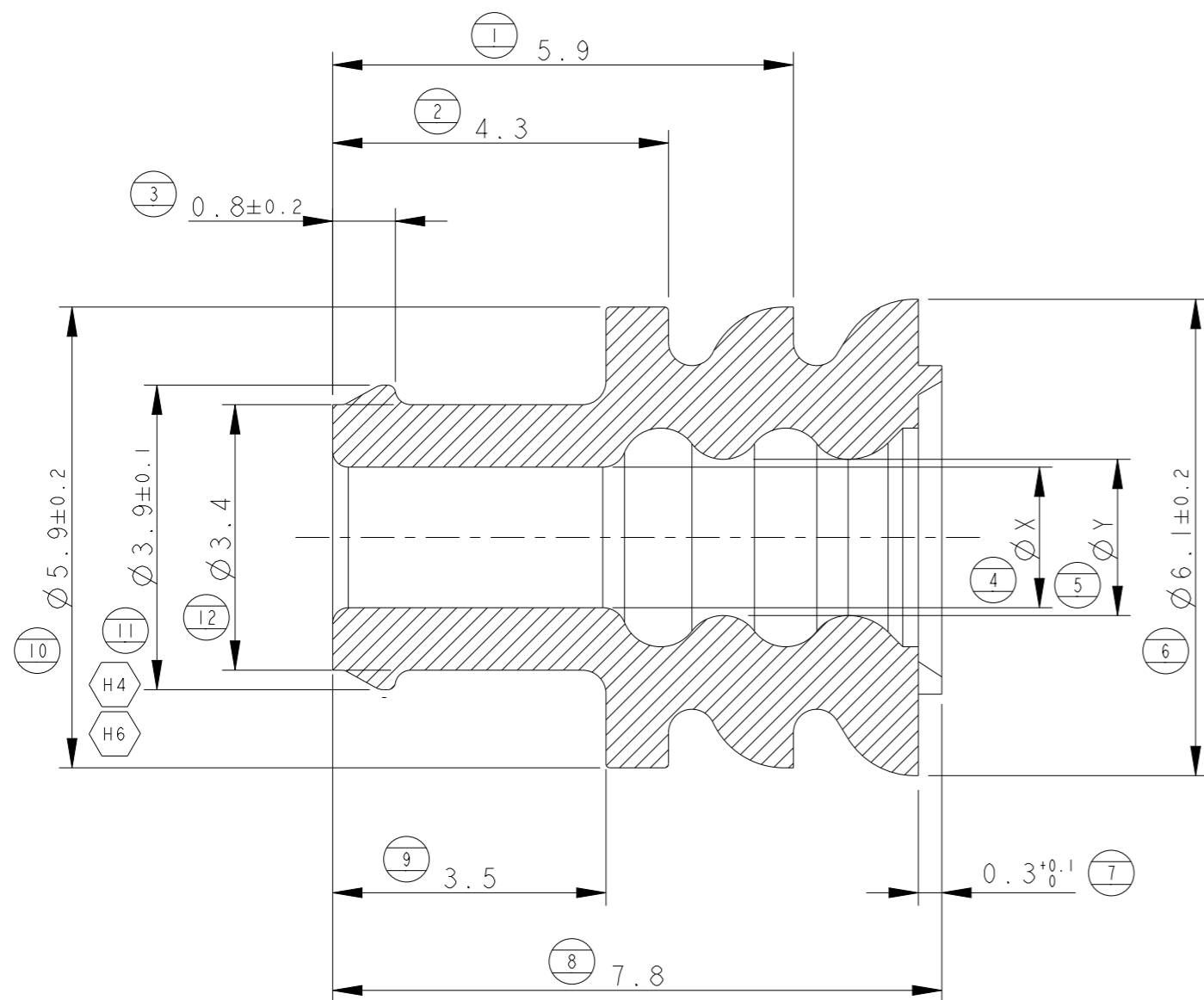
CUSTOMER DWG. FOR REFERENCE ONLY	PRE-STAGNATO (PRE-TINNED)	BRONZO FOSFOROSO (PH.BRONZE)	DIAM. ISOLANTE (INS. DIA. RANGE)	RANGO FILO (WIRE RANGE)
	FINITURA / COLORE (FINISH / COLOUR)	MATERIALE (MATERIAL)	VED. NOTA	0.75-1.5mm ²
DISEGNO PER CLIENTE SOLO PER RIFERIMENTO	MATERIAL	FINISH	(RICAVATO DA 282110-1) (MADE FROM 282110-1)	NUMERO (PART NUMBER)
DWN Bassano	9 NOV.90	-	183025-1	
CHK Bertini	9 NOV.90			
APVD	-			
PRODUCT SPEC	STE TE Connectivity			
APPLICATION SPEC	(LOOSE PIECE VERSION) MINI MIC SRS REC. CONTACT			
WEIGHT	RESTRICTED TO			
CUSTOMER DRAWING	A4 00779	C 183025	SCALE 5:1	SHEET 1 of 1
				REV C3

- 0 PLC ± -
- 1 PLC ± 0.3
- 2 PLC ± -
- 3 PLC ± -
- 4 PLC ± -
- ANGLES ± 2°



REVISIONS

P	LTR	DESCRIPTION	DATE	DWN	APVD
H3		ECR-23-169886	17APR2023	BV	GB
H4		(5- -3) added & DIM.11 Tolerance changed.	13MAY2025	BV	SZG
H5		Alternate CAV.ID design added.	11SEP2025	BV	GB
H6		Drawing error (DIM.11) was fixed	23SEP2025	BV	GB



SCALE 5:1



same as 281934-3	same as 281934-3	same as 281934-3	YELLOW	LSR	H	5-281934-3	H4
same as 281934-2	same as 281934-2	same as 281934-2	YELLOW	LSR	H	5-281934-2	H3
1.2 - 1.6	1.0 ± 0.2	1.0 ± 0.2	WHITE	FLUORSILICONE RUBBER (FSL)	H	281934-5	
			GREEN	SILICONE RUBBER (LSR)	H	281934-4	
2.5 - 3.3	2.0 ± 0.2	1.8 ± 0.2	RED	SILICONE RUBBER (LSR)	H	281934-3	
1.7 - 2.4	1.4 ± 0.2	1.4 ± 0.2	YELLOW	SILICONE RUBBER (LSR)	H	281934-2	
SUITABLE FOR INS. DIA	DIM. "Y"	DIM. "X"	COLOUR	MATERIAL	REV.	P/N	



THIS DRAWING IS A CONTROLLED DOCUMENT.

DWN C. BERTINI 12-'88

CHK A. BRUNI 05-'92

APVD -

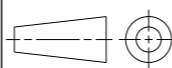
NAME SINGLE WIRE SEAL



TE Connectivity

DIMENSIONS: mm

TOLERANCES UNLESS OTHERWISE SPECIFIED:



0 PLC ±0.3
 1 PLC ±0.3
 2 PLC ±
 3 PLC ±
 4 PLC ±
 ANGLES ±2°

MATERIAL

FINISH

SEE TABLE

PRODUCT SPEC	-
APPLICATION SPEC	-
WEIGHT	-
Customer Drawing	

SIZE A3	CAGE CODE -	DRAWING NO. C-281934	RESTRICTED TO -
SCALE 7:1	SHEET 1 OF 1	REV H6	