

M 282088-K



MINIKIT

Proseguire nella pagina successiva per visualizzare la scheda tecnica dei componenti

Revisione	Prodotto
REV.00 24/04/2026	AfterMarket

4

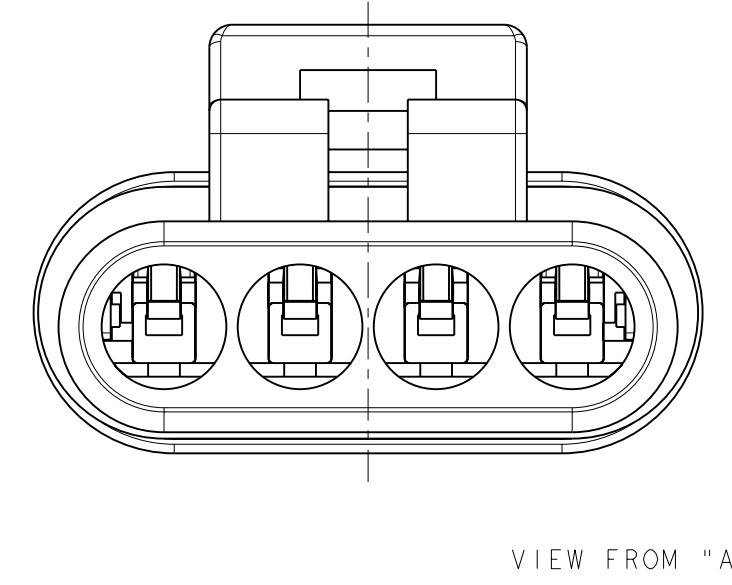
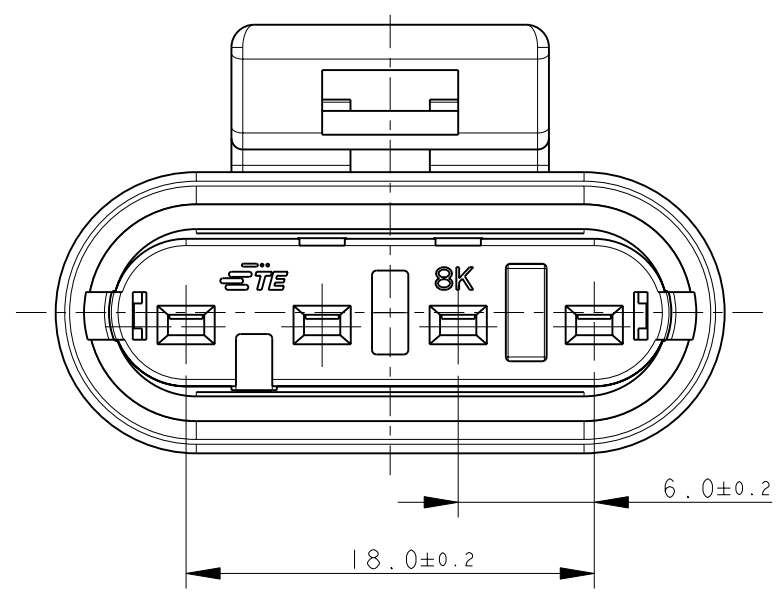
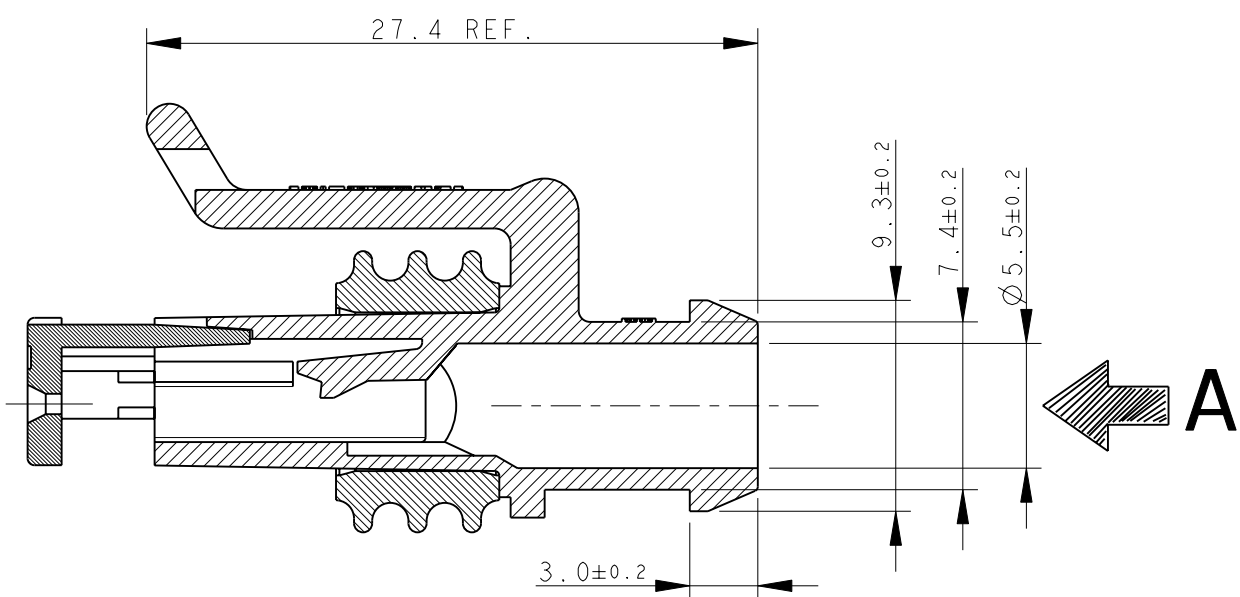
3

2

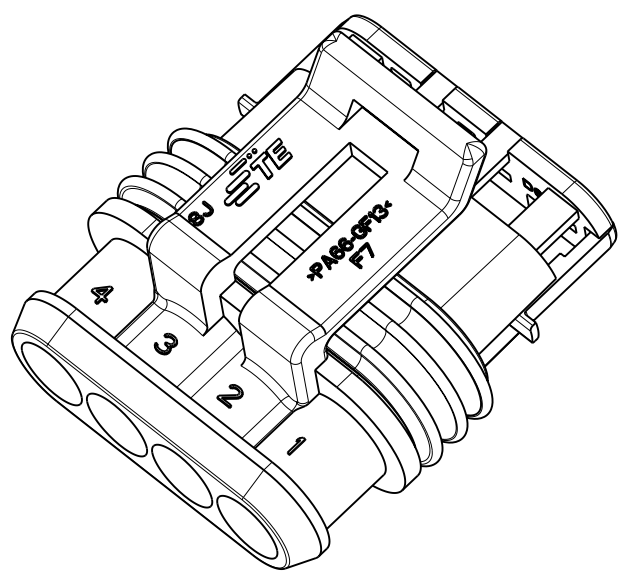
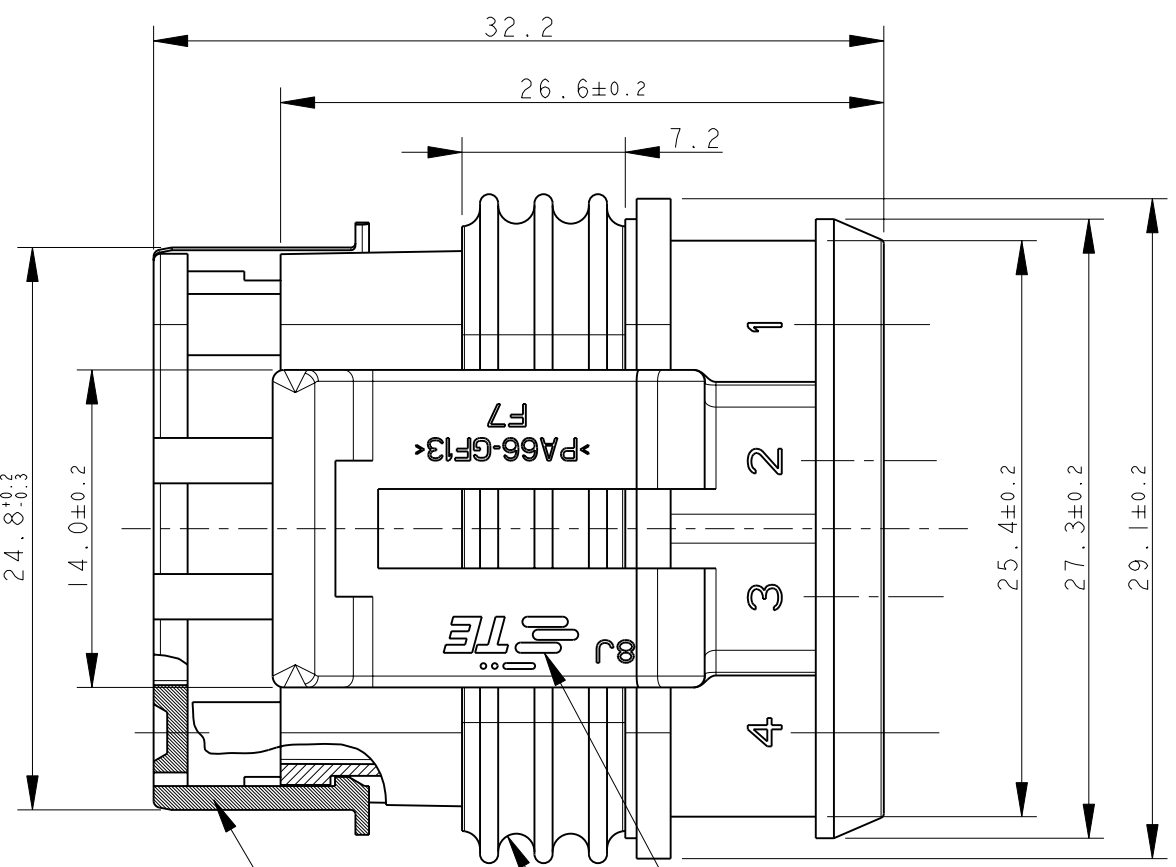
1

THIS DRAWING IS UNPUBLISHED. RELEASED FOR PUBLICATION 2007
 © COPYRIGHT 2007 ALL RIGHTS RESERVED.

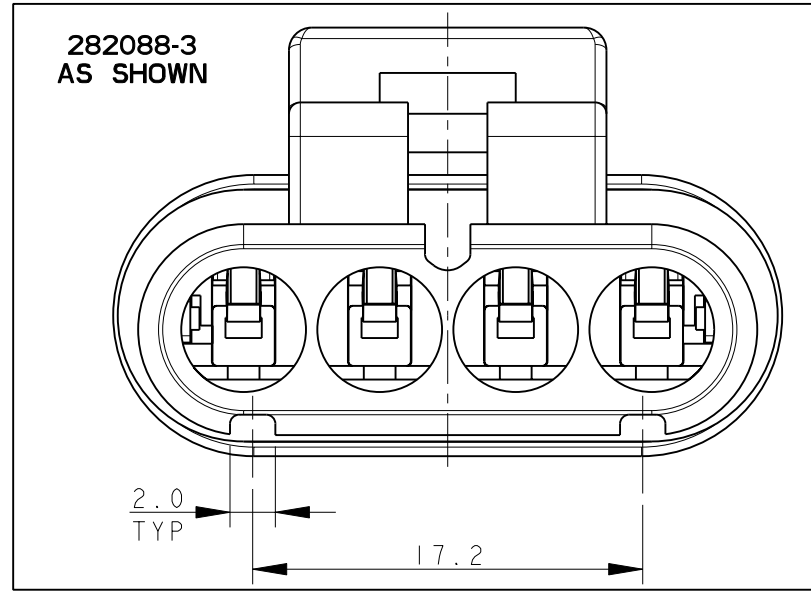
LOC	DIST	REVISIONS			
P	LTR	DESCRIPTION	DATE	DWN	APVD
		B4 REVISED BY ECR-11-024280	13DEC2011	M.F.	M.G.



VIEW FROM "A"



282088-1 AS SHOWN



282088-3 AS SHOWN

BLACK (NERO)	PA66-GF	282088-3
GRAY (GRIGIO)	PA66-GF	282088-2
BLACK (NERO)	PA66-GF	282088-1
COLOUR (COLORE)	MATERIAL (MATERIALE)	PART NUMBER (CODICE)

TE CONNECTIVITY TRADE MARK, (IN ALTERNATIVE: "AMP" LOGO, OR "Tyco Electronics" LOGO)

SEALING (SILICONE RUBBER)

PRE-ASSEMBLED SECONDARY LOCK (RED COLOR)

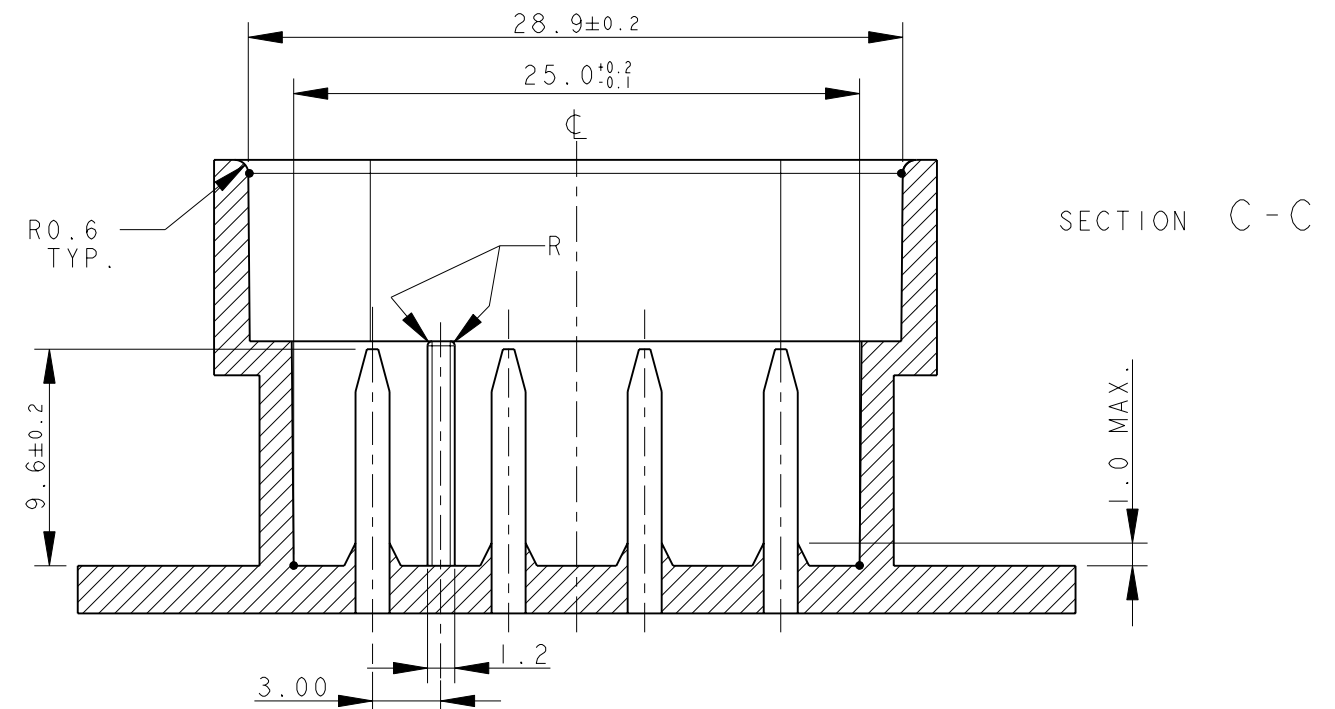
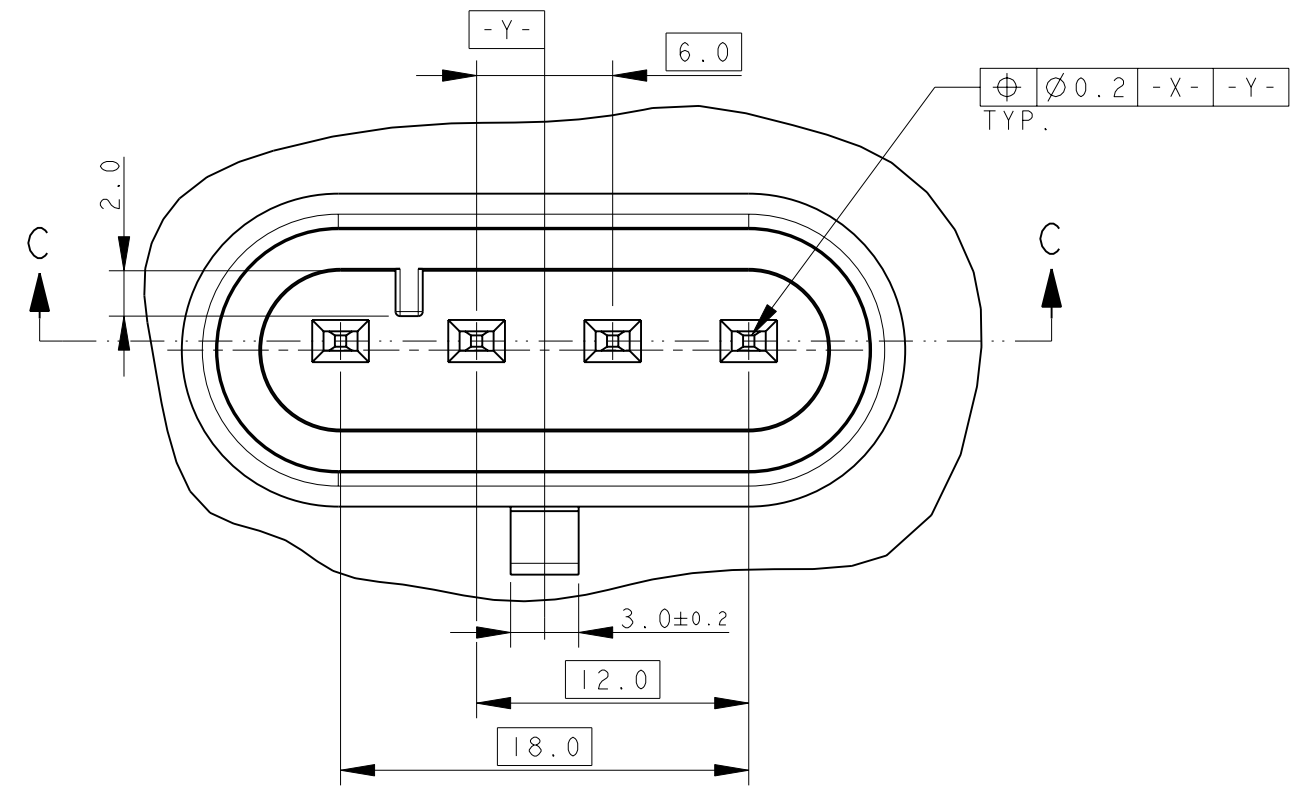
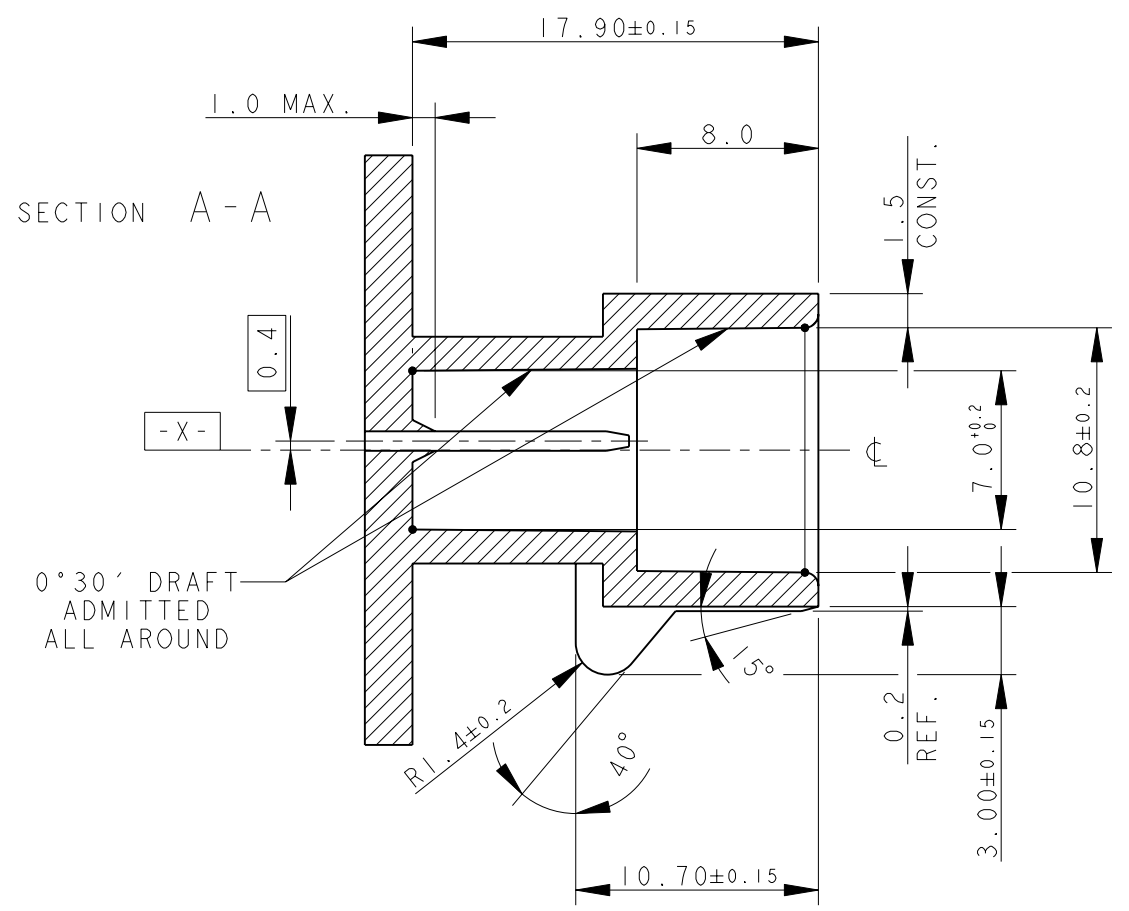
1) FOR COUNTERPART DETAILS, SEE SHEET 2 OF 2
 2) -1 AND -2 ARE DIFFERENT FOR COLOR ONLY

THIS DRAWING IS A CONTROLLED DOCUMENT.		DWN C. BERTINI 05-1992	TE Connectivity		
DIMENSIONS: mm		CHK A. BRUNI 05-1992			
TOLERANCES UNLESS OTHERWISE SPECIFIED:		APVD -	NAME		
0 PLC ±- 1 PLC ±0.3 2 PLC ±- 3 PLC ±- 4 PLC ±- ANGLES ±2°		PRODUCT SPEC 108-20090	AMP SUPERSEAL 1.5 SRS. 4 POSITIONS PLUG ASS'Y		
MATERIAL -		APPLICATION SPEC 412-20000	SIZE A3	CAGE CODE 00779	DRAWING NO C-282088
FINISH -		WEIGHT 4.65gr	RESTRICTED TO -		
		CUSTOMER DRAWING	SCALE 5:1	SHEET 1 OF 2	REV B4

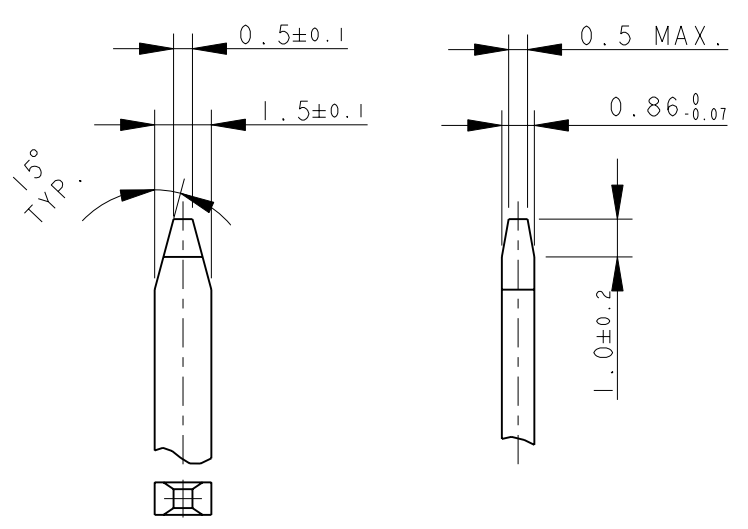
THIS DRAWING IS UNPUBLISHED. RELEASED FOR PUBLICATION 2007
 © COPYRIGHT 2007 ALL RIGHTS RESERVED.

LOC	DIST	REVISIONS			
P	LTR	DESCRIPTION	DATE	DWN	APVD
-	-	SEE SHEET 1		-	-

COUNTERPART DETAILS



TAB DETAILS

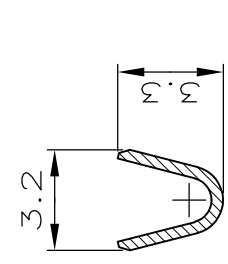


MATERIALS: PA66-GF FOR HOUSING
 TIN PLATED BRASS FOR TABS

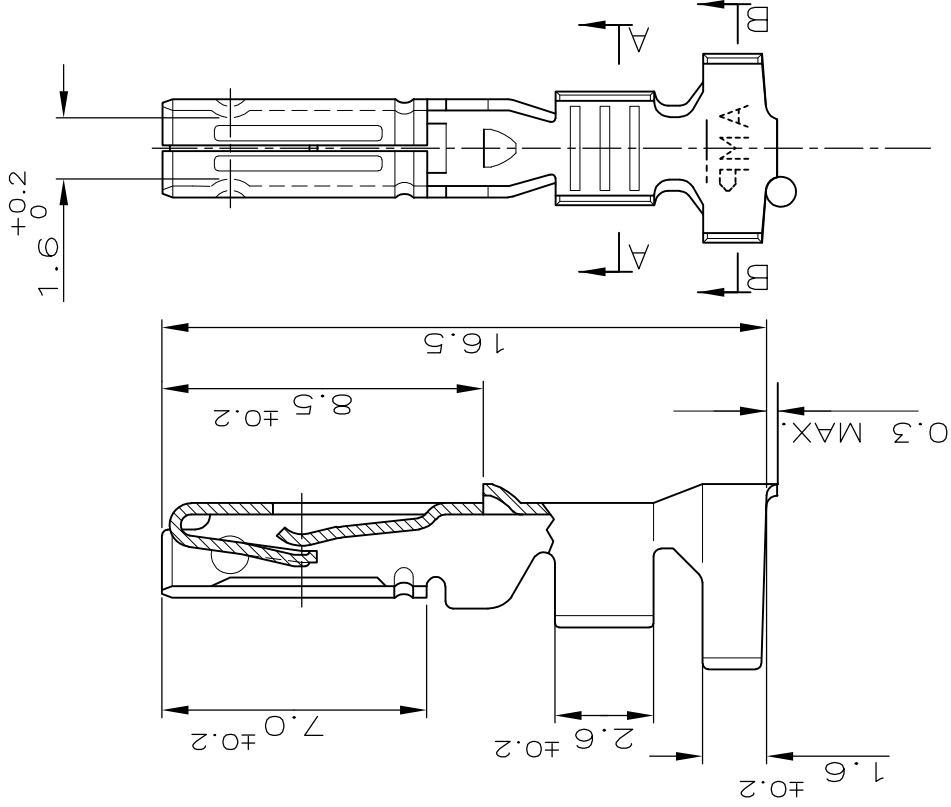
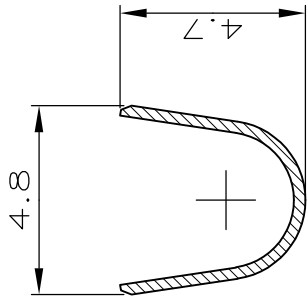
THIS DRAWING IS A CONTROLLED DOCUMENT.		DWN C. BERTINI 05-1992	TE Connectivity	
DIMENSIONS: mm		CHK A. BRUNI 05-1992		
TOLERANCES UNLESS OTHERWISE SPECIFIED:		APVD -	NAME	
0 PLC ±0.3		PRODUCT SPEC -	AMP SUPERSEAL 1.5 SRS. 4 POSITIONS PLUG ASS'Y	
1 PLC ±0.1		APPLICATION SPEC -	SIZE A300779	CAGE CODE C-282088
2 PLC ±0.05		WEIGHT -	RESTRICTED TO -	
3 PLC ±		CUSTOMER DRAWING	SCALE 3:1	SHEET 2 OF 2
4 PLC ±			REV B4	
ANGLES ±2°				
FINISH				

METRIC	LOC	DIST	REVISONS		
	I	—	P	LTR	DESCRIPTION
			C3	REVISED PER ECO-11-005033	DATE
				11MAR11	DWN
				RK	APVD
				HMR	

SEZ. PARZ. A-A



SEZ. PARZ. B-B



ADATTO PER GOMMINO P/N 281934-...
(SUITABLE FOR SINGLE WIRE SEAL P/N 281934-...)

THIS DRAWING IS UNPUBLISHED.

RELEASED FOR PUBLICATION

ALL RIGHTS RESERVED.

© COPYRIGHT - BY -

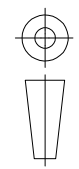
CUSTOMER DWG. FOR REFERENCE ONLY	PRE-STAGNATO (PRE-TINNED)	BRONZO FOSFOROSO (PH.BRONZE)	DIAM. ISOLANTE (INS. DIA. RANGE)	RANGO FILO (WIRE RANGE)
	FINITURA / COLORE (FINISH / COLOUR)	MATERIALE (MATERIAL)	VED. NOTA	0.75-1.5mm ²
DISEGNO PER CLIENTE SOLO PER RIFERIMENTO	MATERIAL	FINISH	(RICAVATO DA 282110-1) (MADE FROM 282110-1)	NUMERO (PART NUMBER)
DWN Bassano	9 NOV.90	—	183025-1	
CHK Bertini	9 NOV.90	—		
APVD	—	—		
PRODUCT SPEC	NAME			
—	STE TE Connectivity			
APPLICATION SPEC	(LOOSE PIECE VERSION)			
—	MINI MIC SRS REC. CONTACT			
WEIGHT	SIZE	CAGE CODE	DRAWING NO	RESTRICTED TO
—	A4 00779	C=183025	—	—
CUSTOMER DRAWING	SCALE	SHEET	1 OF 1	REV C3
	5:1			

DIMENSIONS:

mm

TOLERANCES UNLESS OTHERWISE SPECIFIED:

- 0 PLC ±
- 1 PLC ± 0.3
- 2 PLC ±
- 3 PLC ±
- 4 PLC ±
- ANGLES ± 2°



THIS DRAWING IS UNPUBLISHED.

RELEASED FOR PUBLICATION

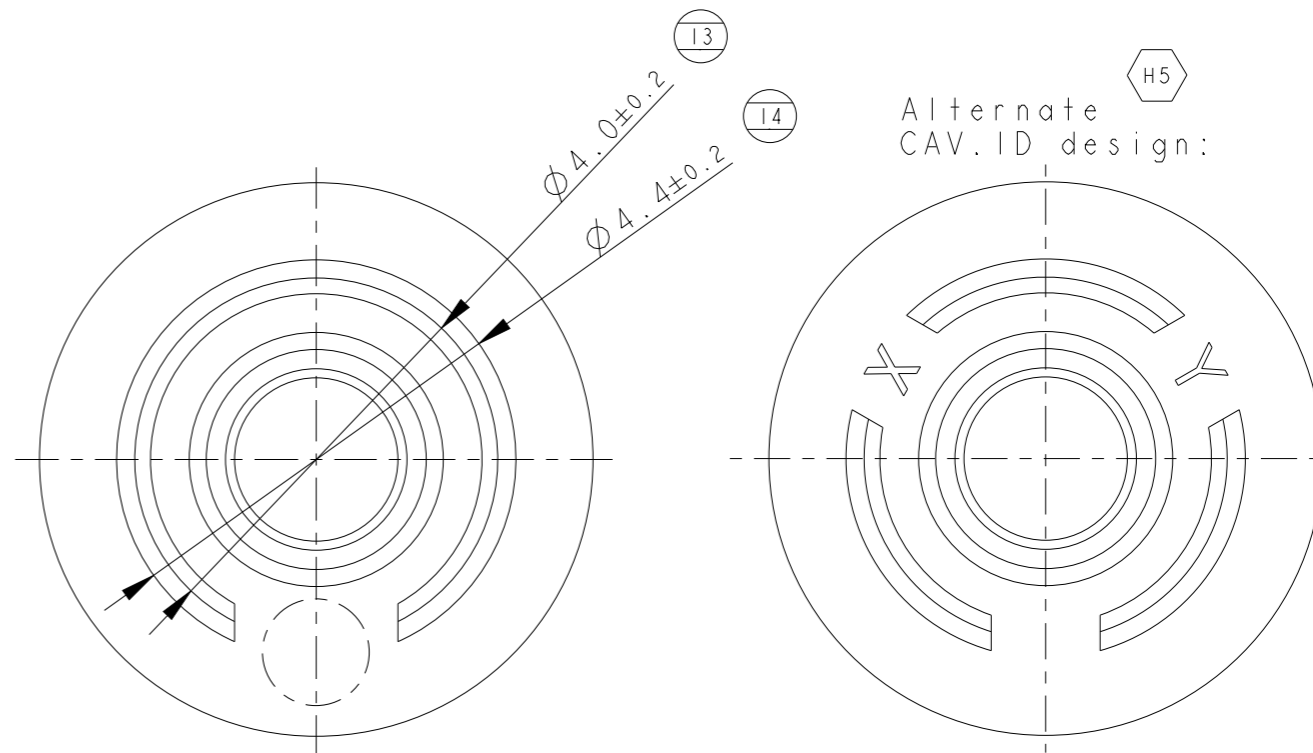
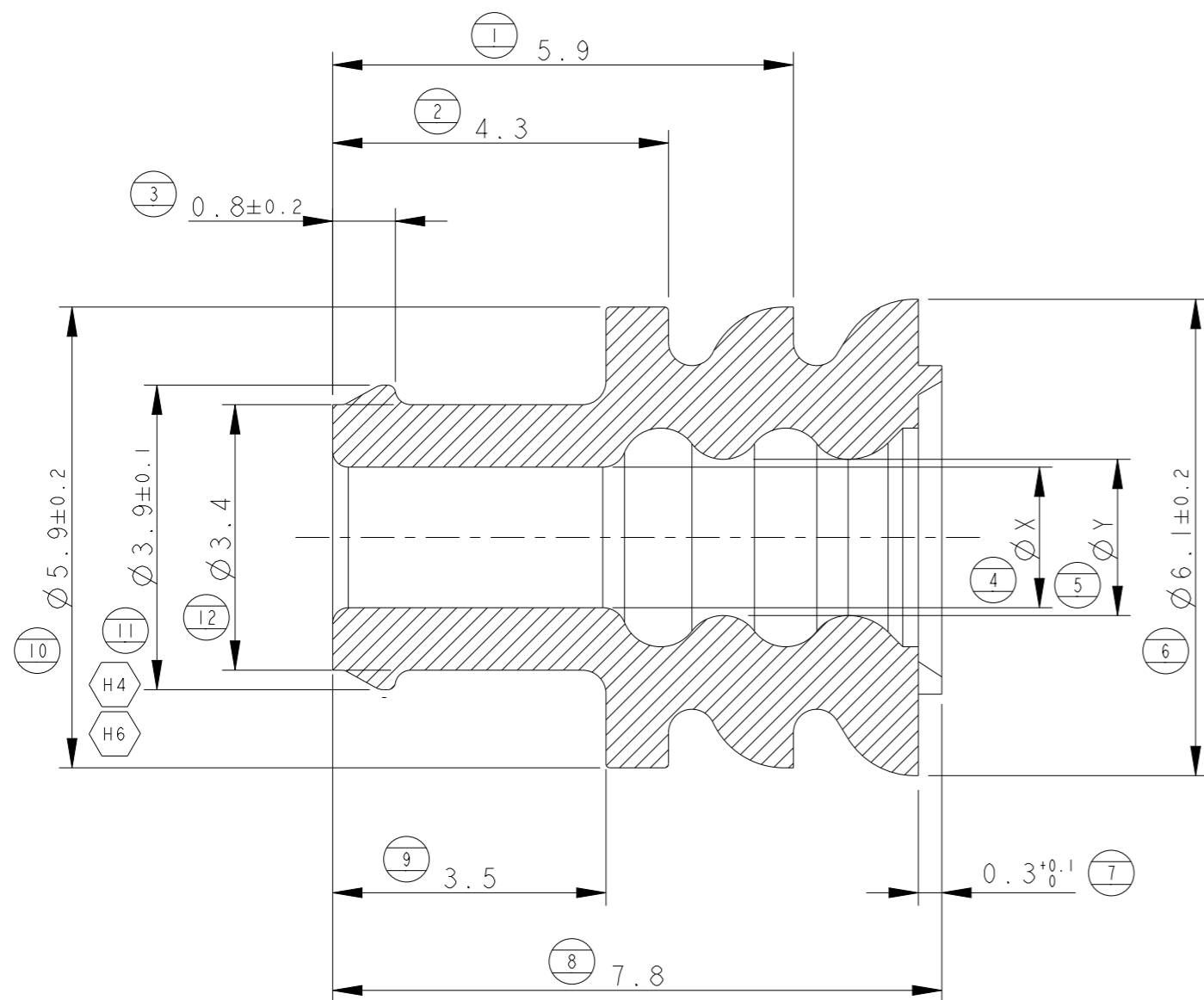
20

© COPYRIGHT 20 BY -

ALL RIGHTS RESERVED.

REVISIONS

P	LTR	DESCRIPTION	DATE	DWN	APVD
H3		ECR-23-169886	17APR2023	BV	GB
H4		(5- -3) added & DIM.11 Tolerance changed.	13MAY2025	BV	SZG
H5		Alternate CAV.ID design added.	11SEP2025	BV	GB
H6		Drawing error (DIM.11) was fixed	23SEP2025	BV	GB



SCALE 5:1



same as 281934-3	same as 281934-3	same as 281934-3	YELLOW	LSR	H	5-281934-3	H4
same as 281934-2	same as 281934-2	same as 281934-2	YELLOW	LSR	H	5-281934-2	H3
1.2 - 1.6	1.0±0.2	1.0±0.2	WHITE	FLUORSILICONE RUBBER (FSL)	H	281934-5	
			GREEN	SILICONE RUBBER (LSR)	H	281934-4	
2.5 - 3.3	2.0±0.2	1.8±0.2	RED	SILICONE RUBBER (LSR)	H	281934-3	
1.7 - 2.4	1.4±0.2	1.4±0.2	YELLOW	SILICONE RUBBER (LSR)	H	281934-2	
SUITABLE FOR INS. DIA	DIM. "Y"	DIM. "X"	COLOUR	MATERIAL	REV.	P/N	



THIS DRAWING IS A CONTROLLED DOCUMENT.

DWN C. BERTINI 12-'88

CHK A. BRUNI 05-'92

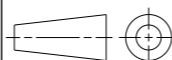
APVD -

NAME SINGLE WIRE SEAL



DIMENSIONS: mm

TOLERANCES UNLESS OTHERWISE SPECIFIED:



0 PLC ±0.3
 1 PLC ±0.3
 2 PLC ±
 3 PLC ±
 4 PLC ±
 ANGLES ±2°

MATERIAL

FINISH

SEE TABLE

PRODUCT SPEC -

APPLICATION SPEC -

WEIGHT -

SIZE A3 CAGE CODE - DRAWING NO C-281934 RESTRICTED TO -

Customer Drawing SCALE 7:1 SHEET 1 OF 1 REV H6