

M 282089-K



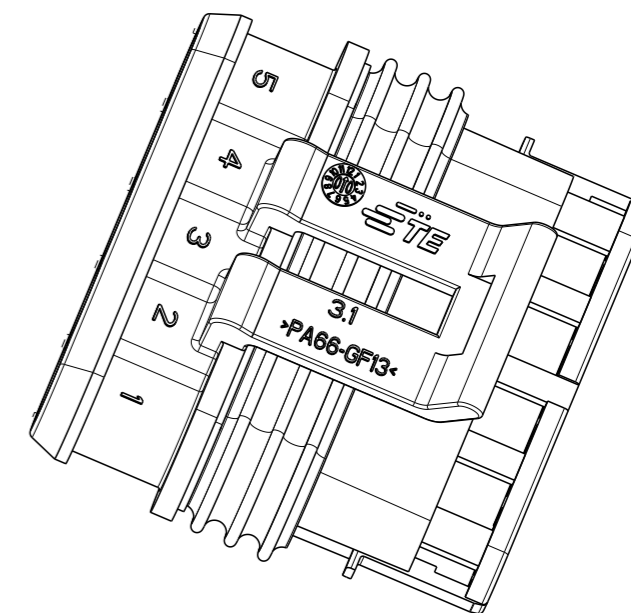
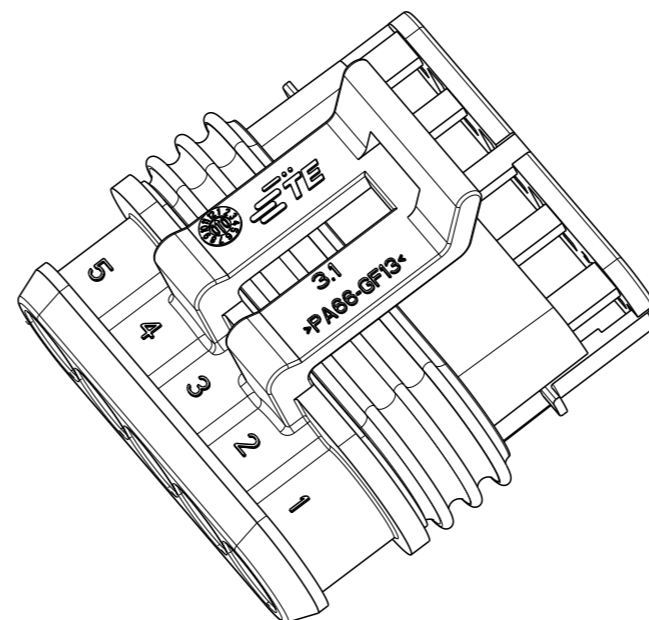
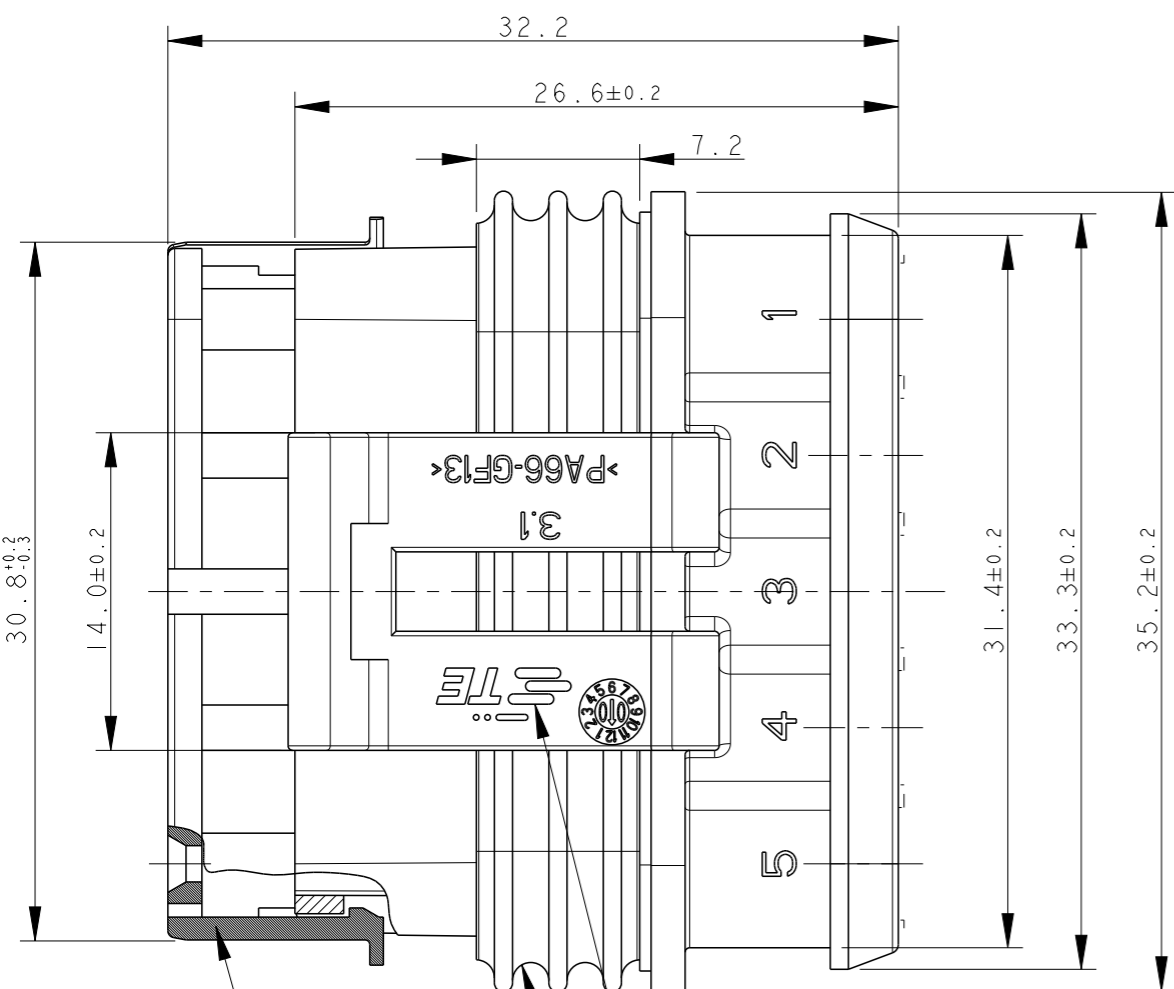
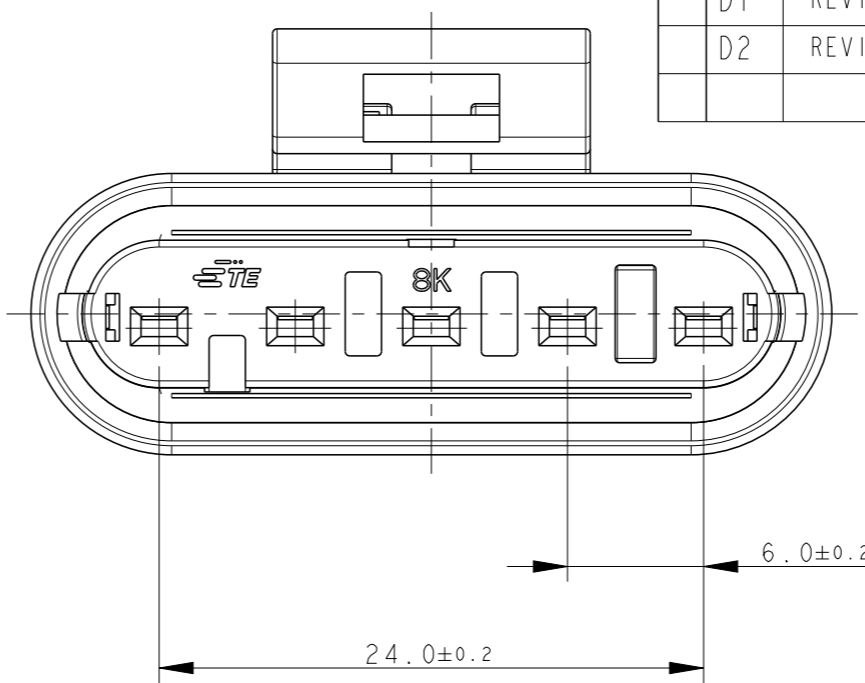
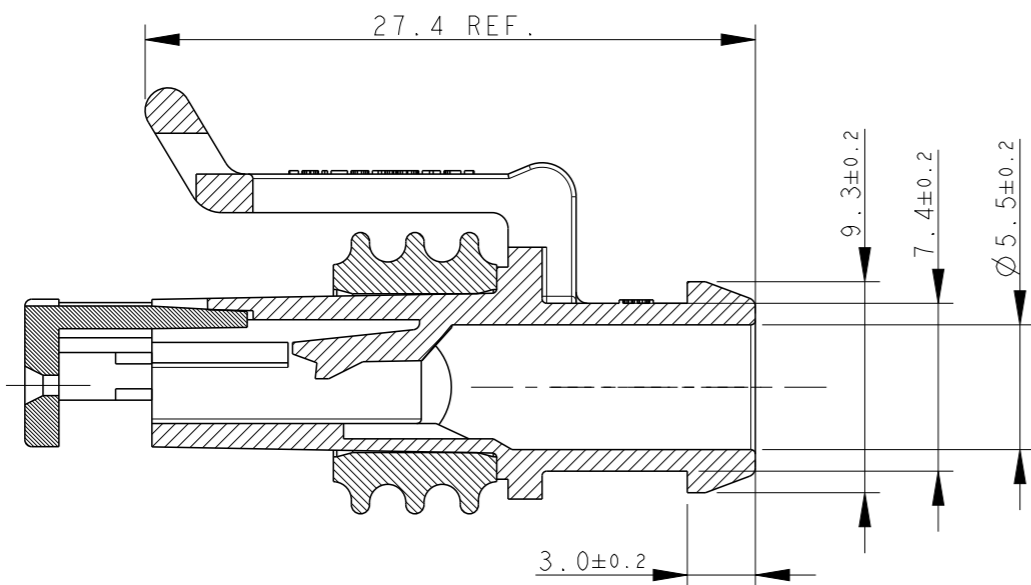
MINIKIT

Proseguire nella pagina successiva per visualizzare la scheda tecnica dei componenti

Revisione	Prodotto
REV.00 10/04/2026	AfterMarket

REVISIONS

P	LTR	DESCRIPTION	DATE	DWN	APVD
	D	ECR-14-009314	24MAR2015	M.P.	M.G.
	D1	REVISED (ECR-15-014031)	25SEP2015	M.G.	M.G.
	D2	REVISED PER ECO-17-001706	10FEB2017	C.A.	M.G.



1) FOR COUNTERPART DETAILS, SEE SHEET 2 OF 2

FINISH/COLOR	MATERIAL	PART NUMBER
GRAY	HOUSING+SEC.LOCK: PA66-GF SEALING: LSR	282089-2
BLACK	HOUSING+SEC.LOCK: PA66-GF SEALING: LSR	282089-1

TE CONNECTIVITY TRADE MARK,
 (IN ALTERNATIVE: "AMP" LOGO,
 OR "Tyco Electronics" LOGO)

SEALING
 (COLOUR YELLOW)

PRE-ASSEMBLED SECONDARY LOCK
 (COLOUR RED)

THIS DRAWING IS A CONTROLLED DOCUMENT.

DIMENSIONS: mm	TOLERANCES UNLESS OTHERWISE SPECIFIED:
	0 PLC ± 1 PLC ±0.3 2 PLC ± 3 PLC ± 4 PLC ± ANGLES ±2°
MATERIAL	FINISH
SEE TABLE	SEE TABLE

DWN C. BERTINI 05-1992	NAME
CHK A. BRUNI 05-1992	
APVD	PRODUCT SPEC
	108-20090
	APPLICATION SPEC
	412-20000
	WEIGHT
	5.45gr



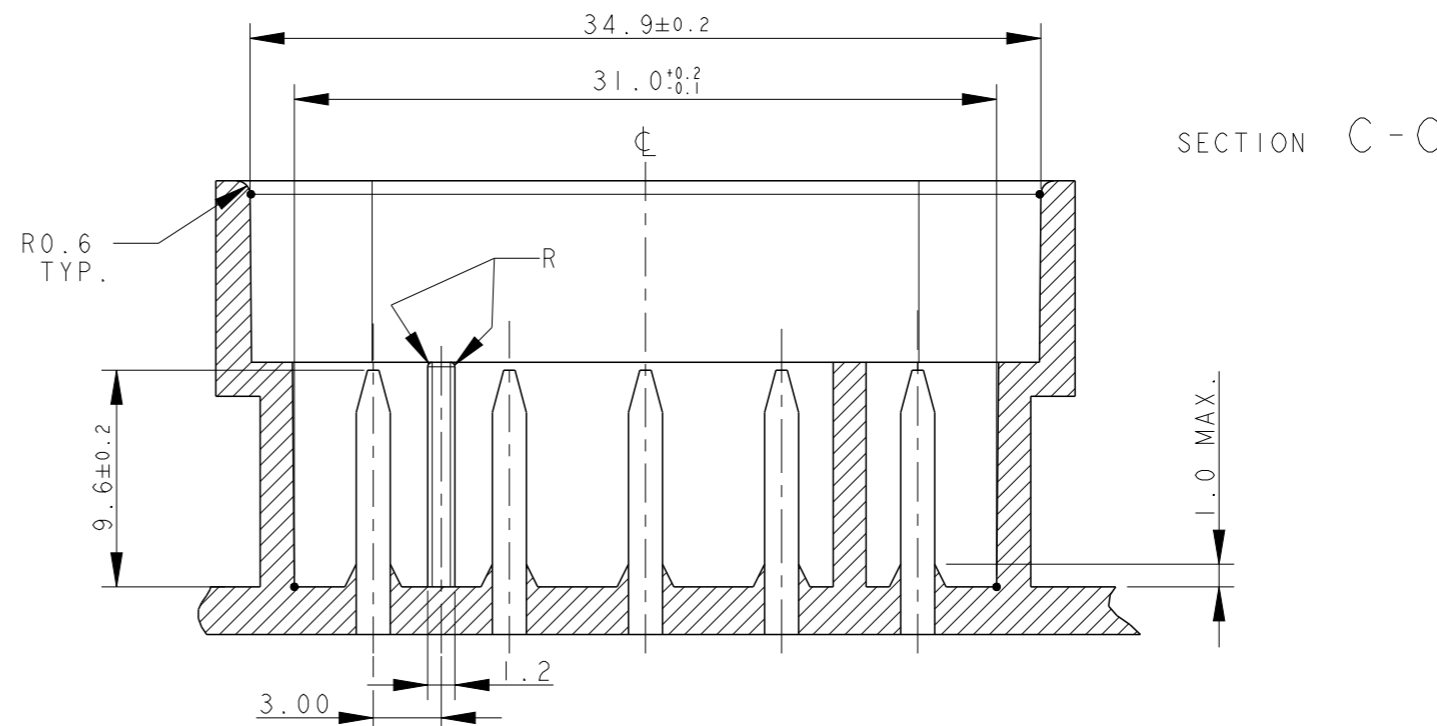
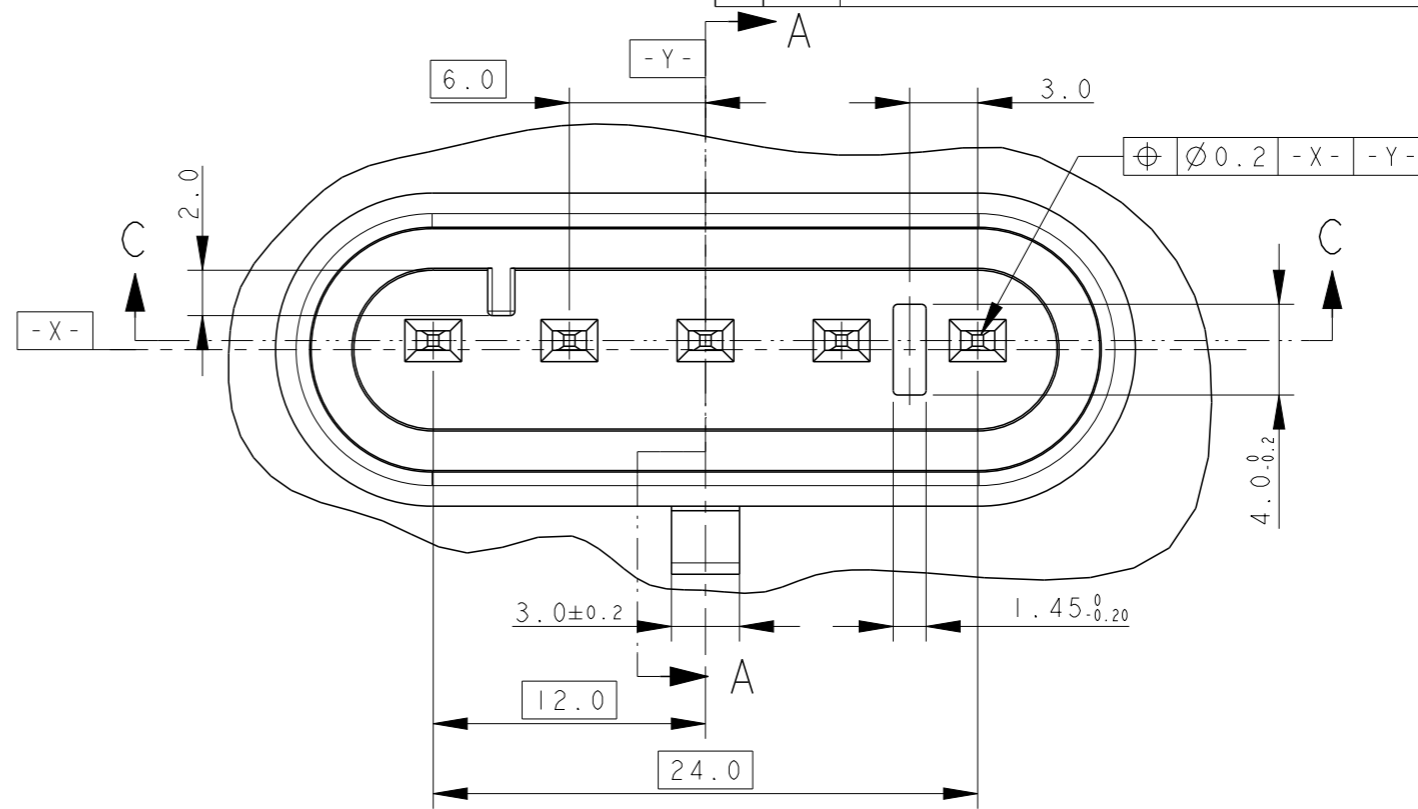
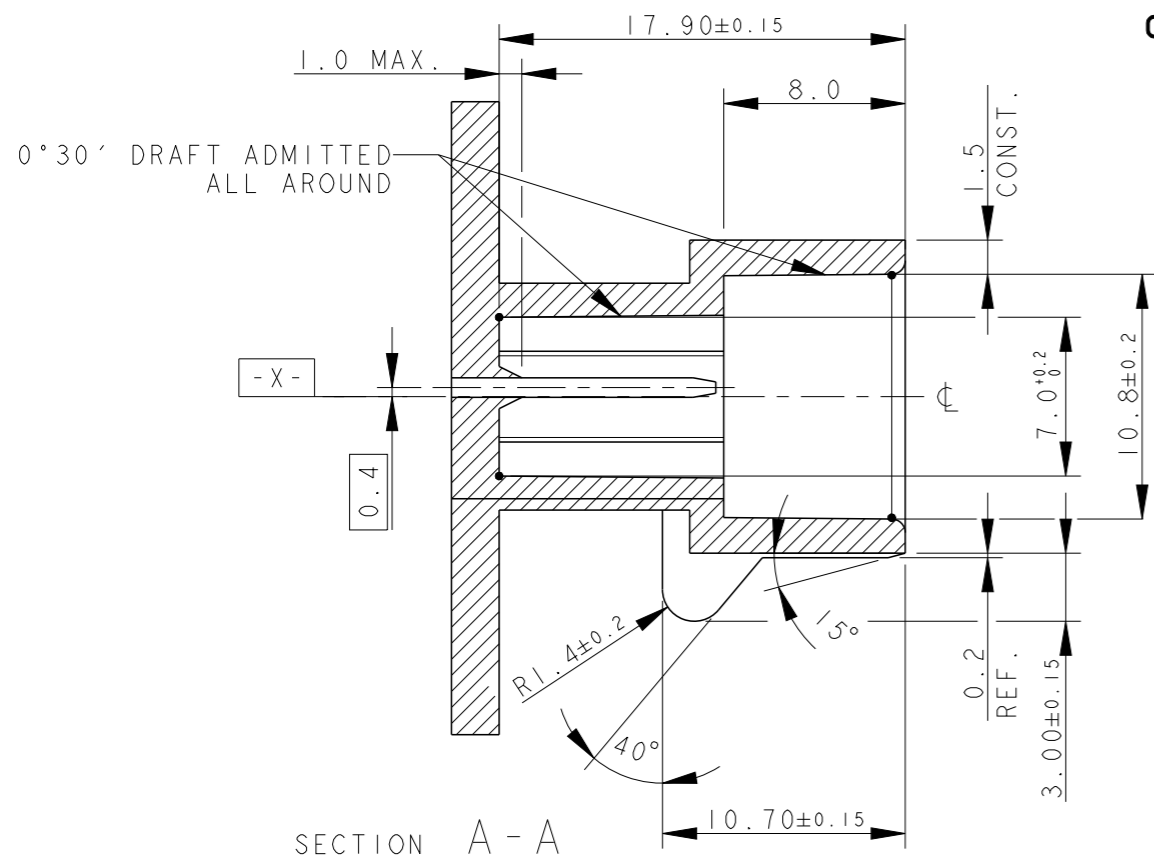
AMP SUPERSEAL 1.5 SRS.
 5 POSITIONS PLUG ASS'Y

SIZE	CAGE CODE	DRAWING NO	RESTRICTED TO
A3	00779	C-282089	-
SCALE		SHEET	REV
3:1		1 OF 2	D2

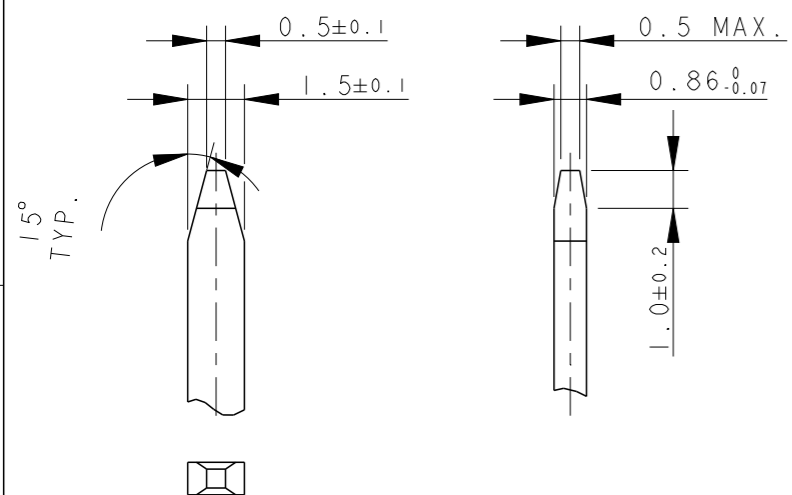
Customer Drawing

P	LTR	DESCRIPTION	DATE	DWN	APVD
		SEE SHEET 1			

COUNTERPART DETAILS



TAB DETAILS



MATERIALS: PA66-GF FOR HOUSING
TIN PLATED BRASS FOR TABS

THIS DRAWING IS A CONTROLLED DOCUMENT.

DWN C. BERTINI 05-1992

CHK A. BRUNI 05-1992

APVD -

NAME -



DIMENSIONS: mm

TOLERANCES UNLESS OTHERWISE SPECIFIED:



- 0 PLC ±0.3
- 1 PLC ±0.1
- 2 PLC ±0.05
- 3 PLC ±
- 4 PLC ±
- ANGLES ±2°

MATERIAL

FINISH

PRODUCT SPEC 108-20090

APPLICATION SPEC 412-20000

WEIGHT 5.45gr

AMP SUPERSEAL 1.5 SRS. 5 POSITIONS PLUG ASS'Y

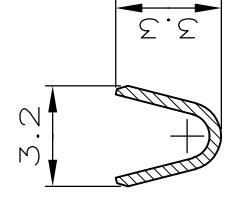
SIZE A3 CAGE CODE 00779 DRAWING NO. C-282089 RESTRICTED TO -

Customer Drawing

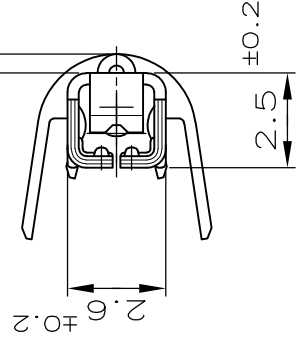
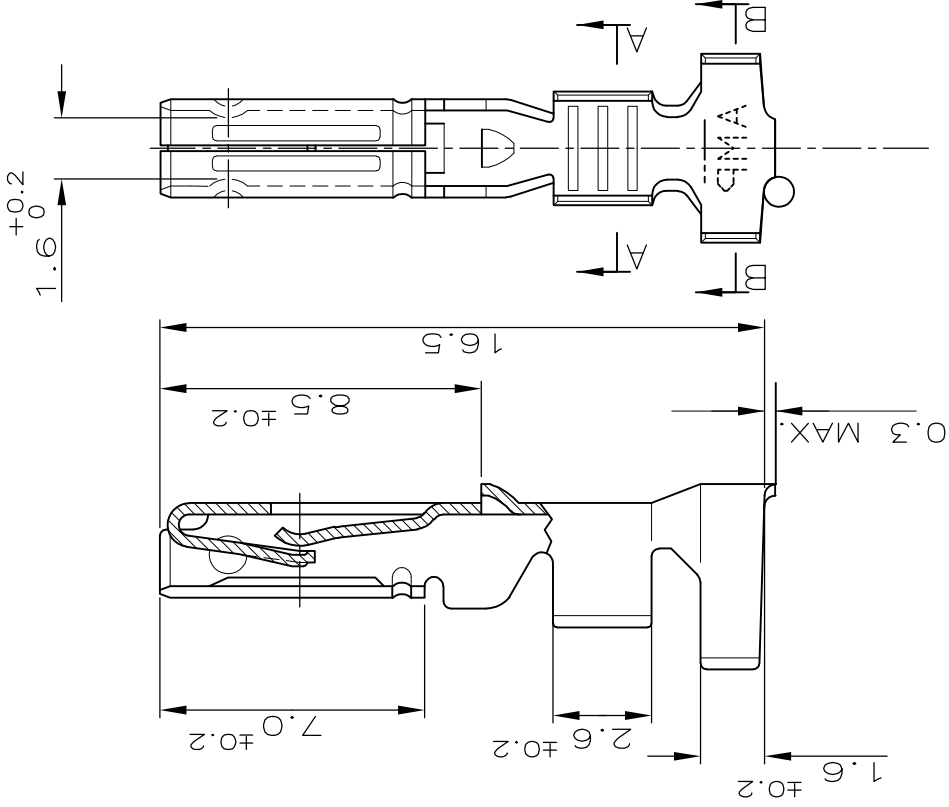
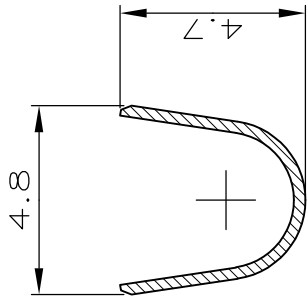
SCALE 1:1 SHEET 2 OF 2 REV D2

METRIC	LOC	DIST	REVISONS		
	I	—	P	LTR	DESCRIPTION
			C3	REVISED PER ECO-11-005033	DATE
				11MAR11	DWN
				RK	APVD
				HMR	

SEZ. PARZ. A-A



SEZ. PARZ. B-B



ADATTO PER GOMMINO P/N 281934-...
(SUITABLE FOR SINGLE WIRE SEAL P/N 281934-...)

THIS DRAWING IS UNPUBLISHED.

RELEASED FOR PUBLICATION

© COPYRIGHT - By -

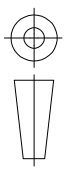
ALL RIGHTS RESERVED.

CUSTOMER DWG. FOR REFERENCE ONLY		PRE-STAGNATO (PRE-TINNED)	BRONZO FOSFOROSO (PH.BRONZE)	DIAM. ISOLANTE (INS. DIA. RANGE)	RANGO FILO (WIRE RANGE)
DISEGNO PER CLIENTE SOLO PER RIFERIMENTO		FINITURA / COLORE (FINISH / COLOUR)	MATERIALE (MATERIAL)	VED. NOTA	0.75-1.5mm ²
DWN Bassano		MATERIAL	FINISH	(RICAVATO DA 282110-1) (MADE FROM 282110-1)	
CHK Bertini		9 NOV.90	—	183025-1	
APVD		9 NOV.90	—	NUMERO (PART NUMBER)	
PRODUCT SPEC		NAME			
—		STE TE Connectivity			
APPLICATION SPEC		(LOOSE PIECE VERSION)			
—		MINI MIC SRS REC. CONTACT			
WEIGHT		SIZE		CAGE CODE	
—		A4 00779		DRAWING NO	
—		C=183025		RESTRICTED TO	
CUSTOMER DRAWING		SCALE 5:1		SHEET 1 of 1	
—		REV C3		—	

DIMENSIONS: mm

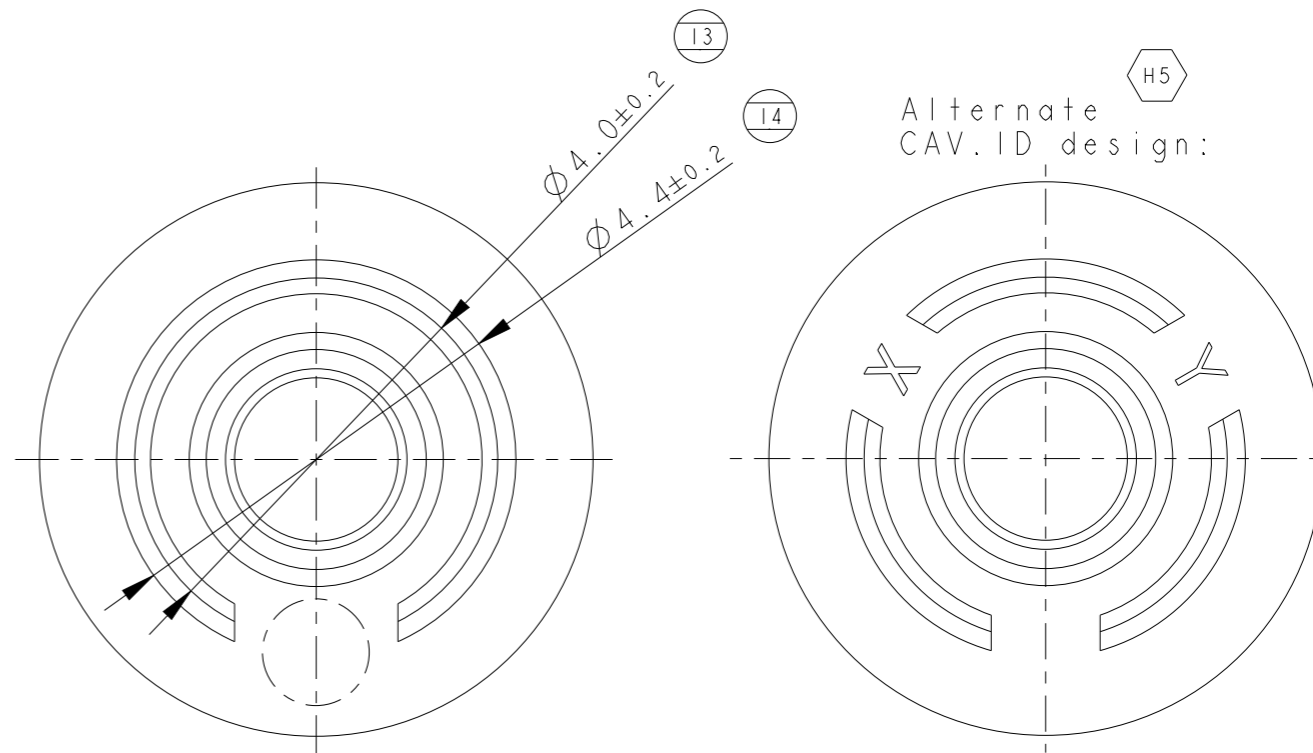
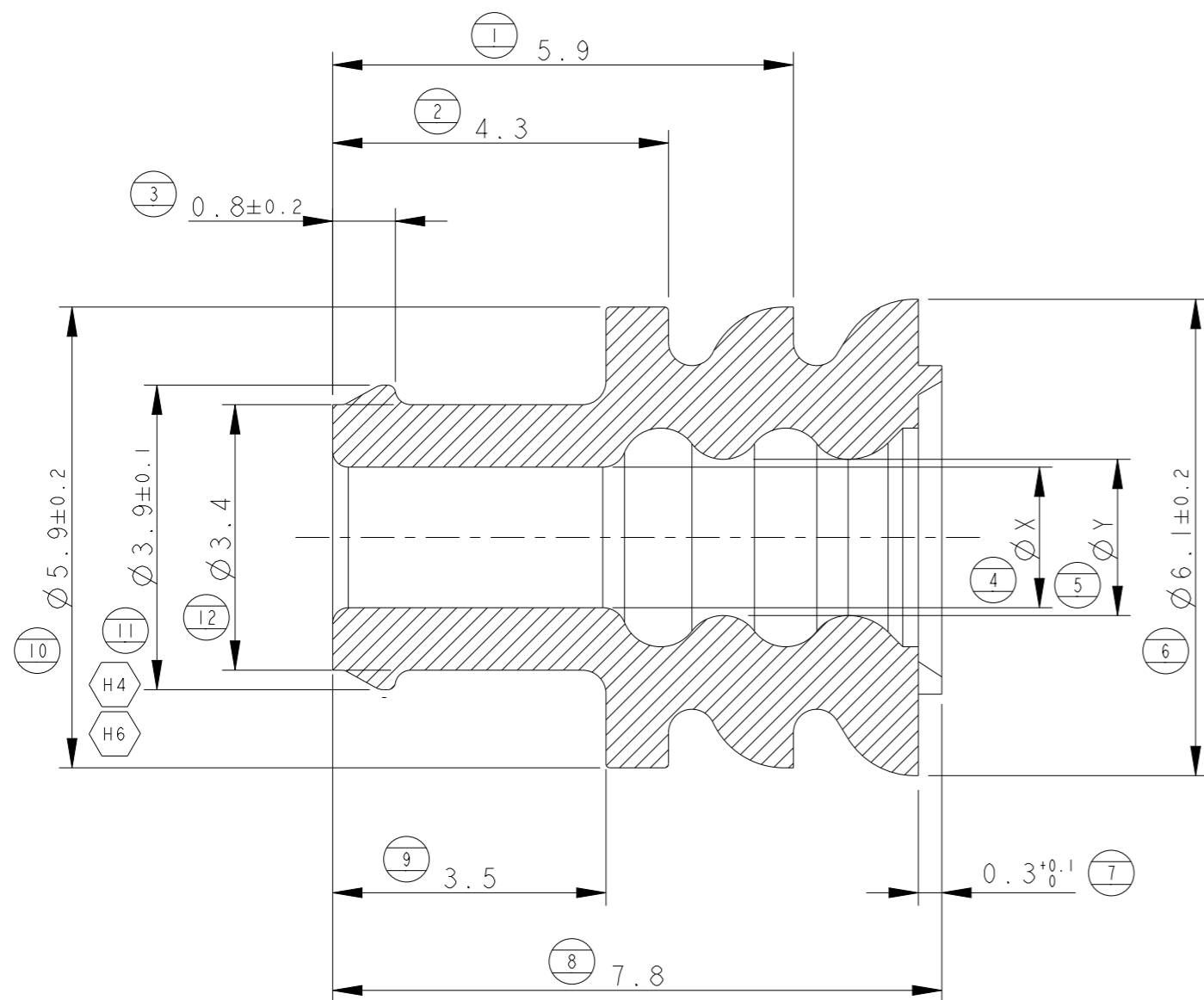
TOLERANCES UNLESS OTHERWISE SPECIFIED:

- 0 PLC ±
- 1 PLC ± 0.3
- 2 PLC ±
- 3 PLC ±
- 4 PLC ±
- ANGLES ± 2°



REVISIONS

P	LTR	DESCRIPTION	DATE	DWN	APVD
H3		ECR-23-169886	17APR2023	BV	GB
H4		(5- -3) added & DIM.11 Tolerance changed.	13MAY2025	BV	SZG
H5		Alternate CAV.ID design added.	11SEP2025	BV	GB
H6		Drawing error (DIM.11) was fixed	23SEP2025	BV	GB



SCALE 5:1



same as 281934-3	same as 281934-3	same as 281934-3	YELLOW	LSR	H	5-281934-3	H4
same as 281934-2	same as 281934-2	same as 281934-2	YELLOW	LSR	H	5-281934-2	H3
1.2 - 1.6	1.0±0.2	1.0±0.2	WHITE	FLUORSILICONE RUBBER (FSL)	H	281934-5	
			GREEN	SILICONE RUBBER (LSR)	H	281934-4	
2.5 - 3.3	2.0±0.2	1.8±0.2	RED	SILICONE RUBBER (LSR)	H	281934-3	
1.7 - 2.4	1.4±0.2	1.4±0.2	YELLOW	SILICONE RUBBER (LSR)	H	281934-2	
SUITABLE FOR INS. DIA	DIM. "Y"	DIM. "X"	COLOUR	MATERIAL	REV.	P/N	



THIS DRAWING IS A CONTROLLED DOCUMENT.

DWN C. BERTINI 12-'88

CHK A. BRUNI 05-'92

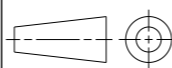
APVD -

NAME SINGLE WIRE SEAL



DIMENSIONS: mm

TOLERANCES UNLESS OTHERWISE SPECIFIED:



0 PLC ±0.3
 1 PLC ±0.3
 2 PLC ±
 3 PLC ±
 4 PLC ±
 ANGLES ±2°

MATERIAL

FINISH

SEE TABLE

PRODUCT SPEC -

APPLICATION SPEC -

WEIGHT -

SIZE A3 CAGE CODE - DRAWING NO C-281934 RESTRICTED TO -

Customer Drawing SCALE 7:1 SHEET 1 OF 1 REV H6