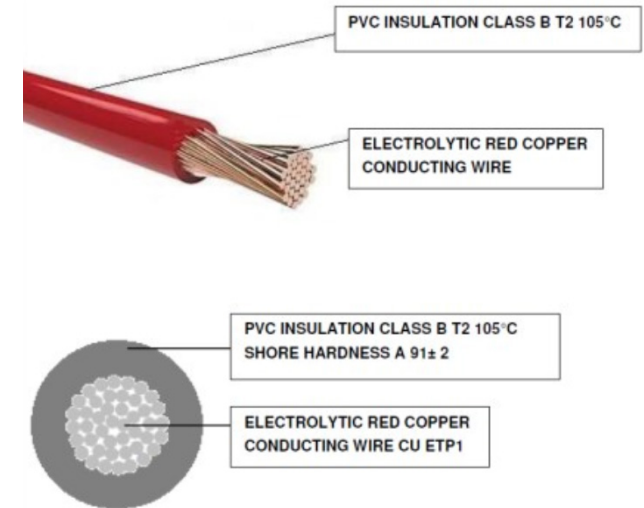


M 282090-C



| Caratteristiche CAVO | |
|--------------------------|--|
| Temperatura d'uso | -40 °C / +105 °C (IDLE STATE) |
| Sezione | 1.00 mmq |
| Colore | Nero |
| Documenti di riferimento | ISO 19642 : 2019 / DIN 72551 ISO 6722 CLASS B / LV 112 / ISO 3795 FIAT 91107 / 18 (where applicable) ROHS II/III UN R118 |
| Lunghezza | 20 cm |
| Tipologia | F3T2 |



| CROSS SECTION | COND. CONSTR. | EXT. DIAMETER. | INSUL. MATERIAL | EL. RES. MAX 20° | MAX VOLT. | INSULATION THICKNESS (+) |
|---------------|---------------------|-----------------------|---------------------|------------------|-----------|--------------------------|
| 1 x 1,00 | 32 x 0,20 ± 0,01 mm | 2,10 +0 mm -0,2 mm | PVC T2 HT 105 °C | 18,5 OHM/KM | < 300 V | ≥ 0,24 |

Proseguire nella pagina successiva per visualizzare la scheda tecnica dei componenti

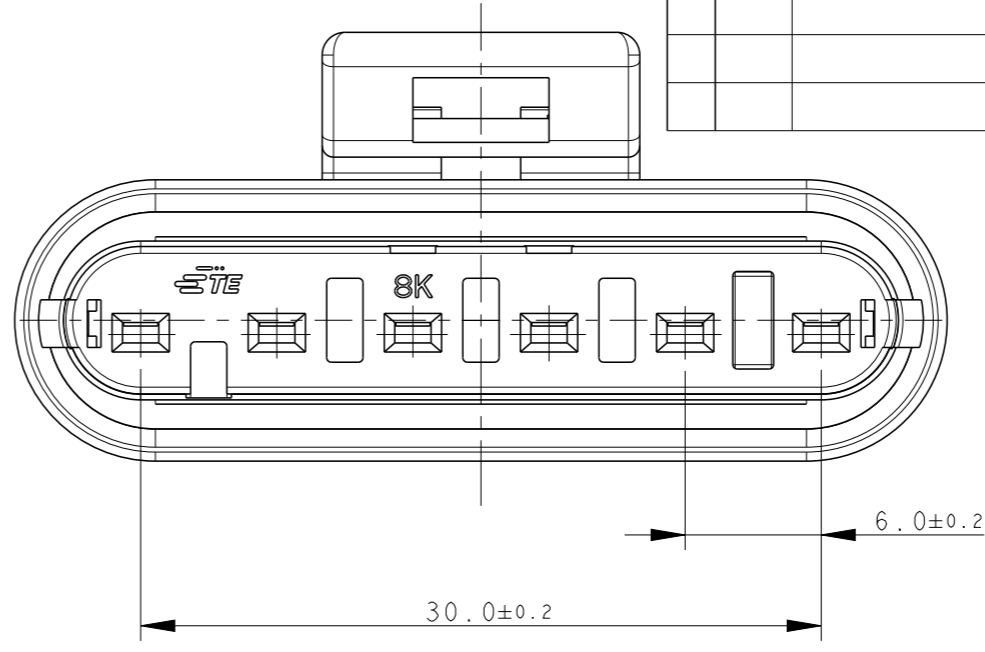
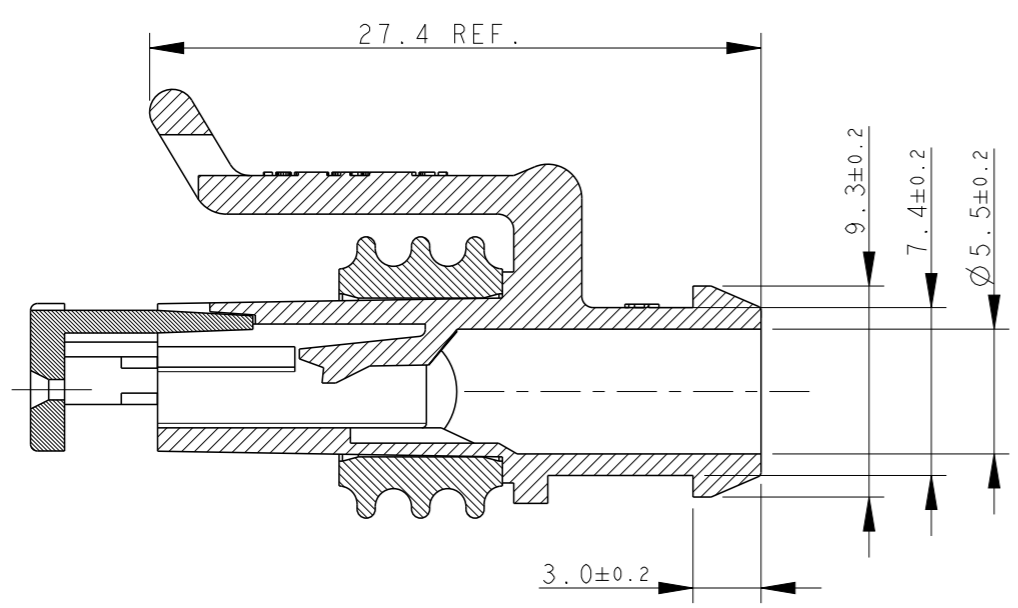
| Revisione | Prodotto |
|----------------------|-------------|
| REV.00 10/04/2026 | AfterMarket |

THIS DRAWING IS UNPUBLISHED. RELEASED FOR PUBLICATION 2011 ALL RIGHTS RESERVED.

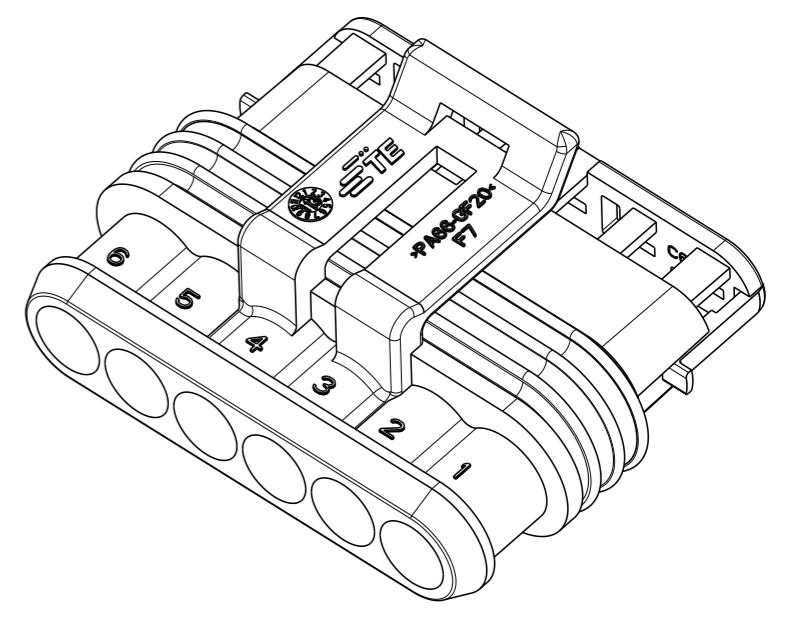
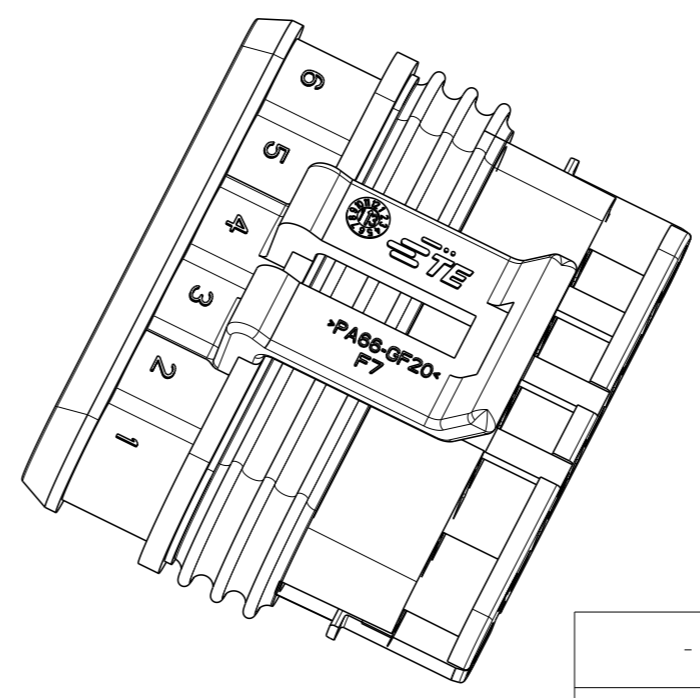
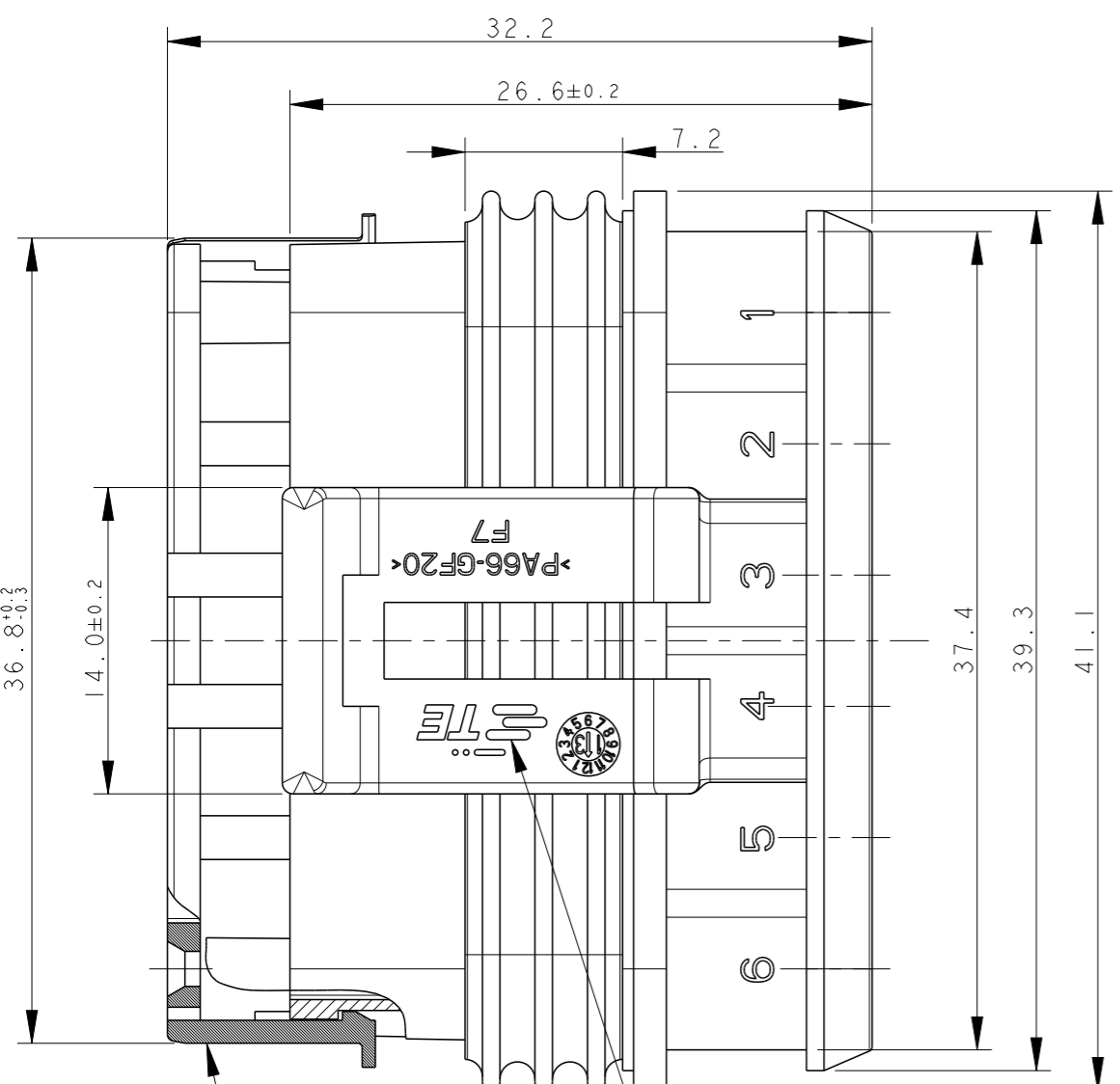
© COPYRIGHT 2011

REVISIONS

| P | LTR | DESCRIPTION | DATE | DWN | APVD |
|---|-----|---------------|-----------|------|------|
| | D | ECR-14-009314 | 24MAR2015 | M.P. | M.G. |



NOT YET RELEASED FOR PRODUCTION



1) FOR COUNTERPART DETAILS, SEE SHEET 2 OF 2

| NOTE | FINISH/COLOR | MATERIAL | PART NUMBER |
|------|--------------|----------|-------------|
| - | BLACK | PA66-GF | 1745058-1 |

TE CONNECTIVITY TRADE MARK, (IN ALTERNATIVE: "AMP" LOGO, OR "Tyco Electronics" LOGO)

SEALING (SILICONE RUBBER)

PRE-ASSEMBLED SECONDARY LOCK (RED COLOR)

THIS DRAWING IS A CONTROLLED DOCUMENT.

| | |
|--------------------------------------|--|
| DIMENSIONS: mm | TOLERANCES UNLESS OTHERWISE SPECIFIED: 0 PLC ± 1 PLC ±0.3 2 PLC ± 3 PLC ± 4 PLC ± ANGLES ±2° |
| MATERIAL SEE TABLE (VEDI TABELLA) | FINISH SEE TABLE (VEDI TABELLA) |

| | |
|---------------------------------|---------------------------|
| DWN M. PALMA 22-06-2005 | NAME - |
| CHK R. MARTINI 22-06-2005 | |
| APVD - | PRODUCT SPEC 108-20090 |
| APPLICATION SPEC 412-20000 | WEIGHT 6.55gr |
| CUSTOMER DRAWING | |

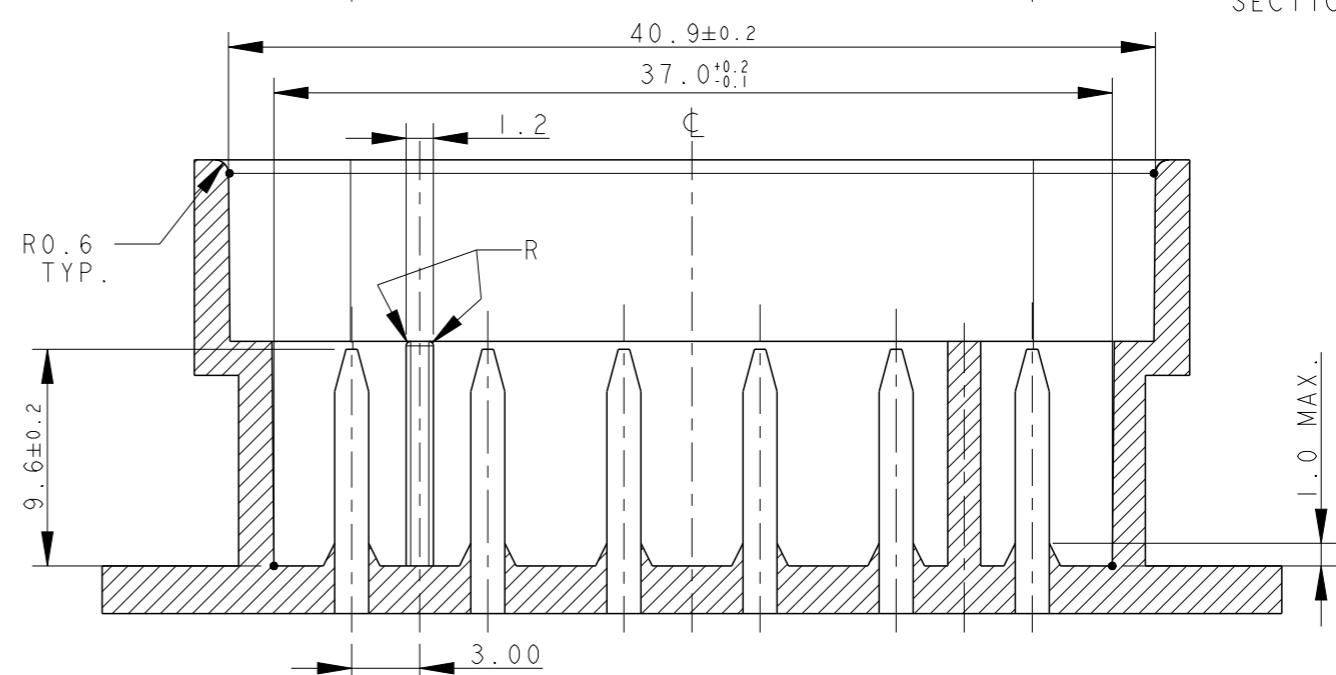
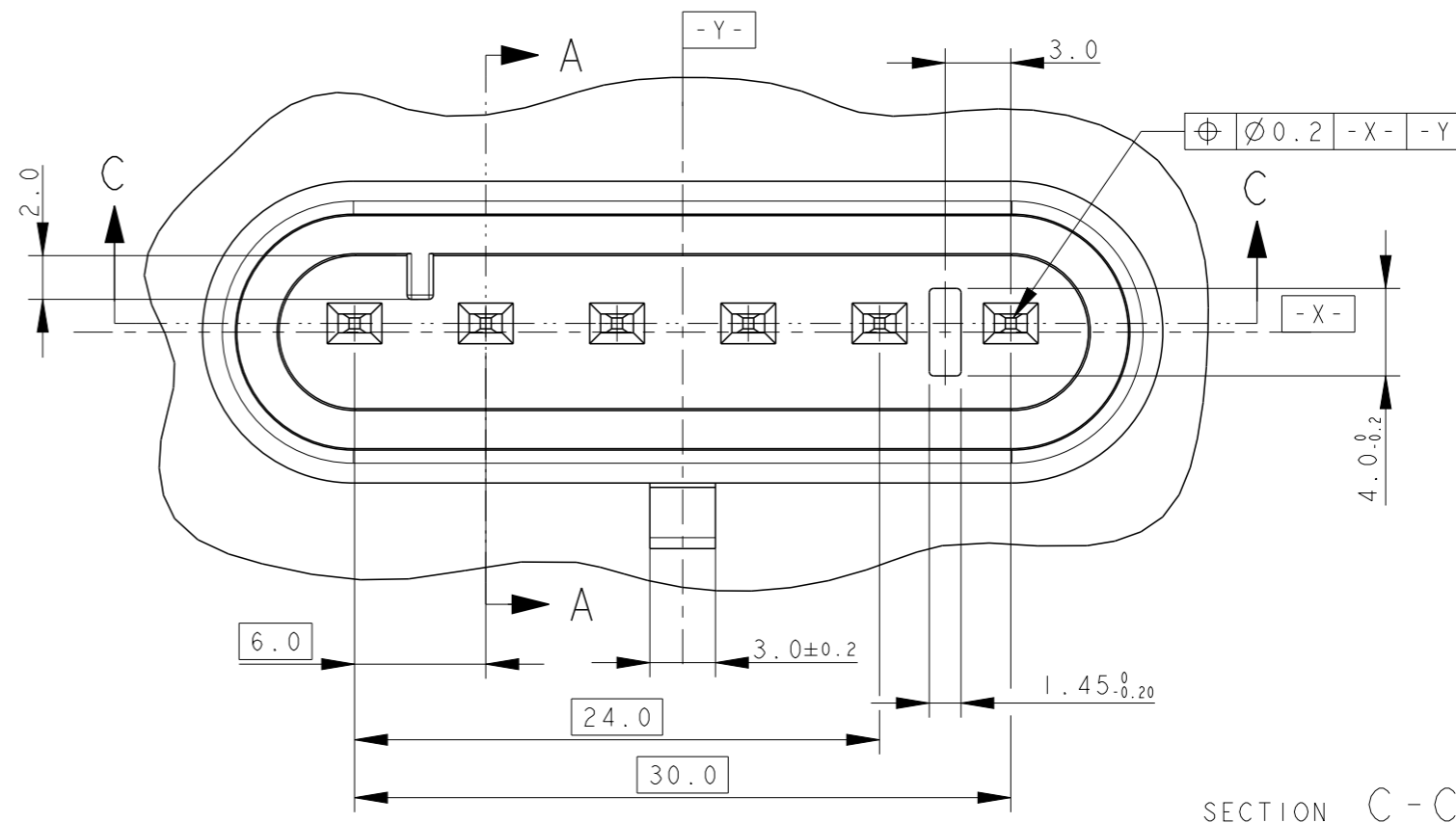
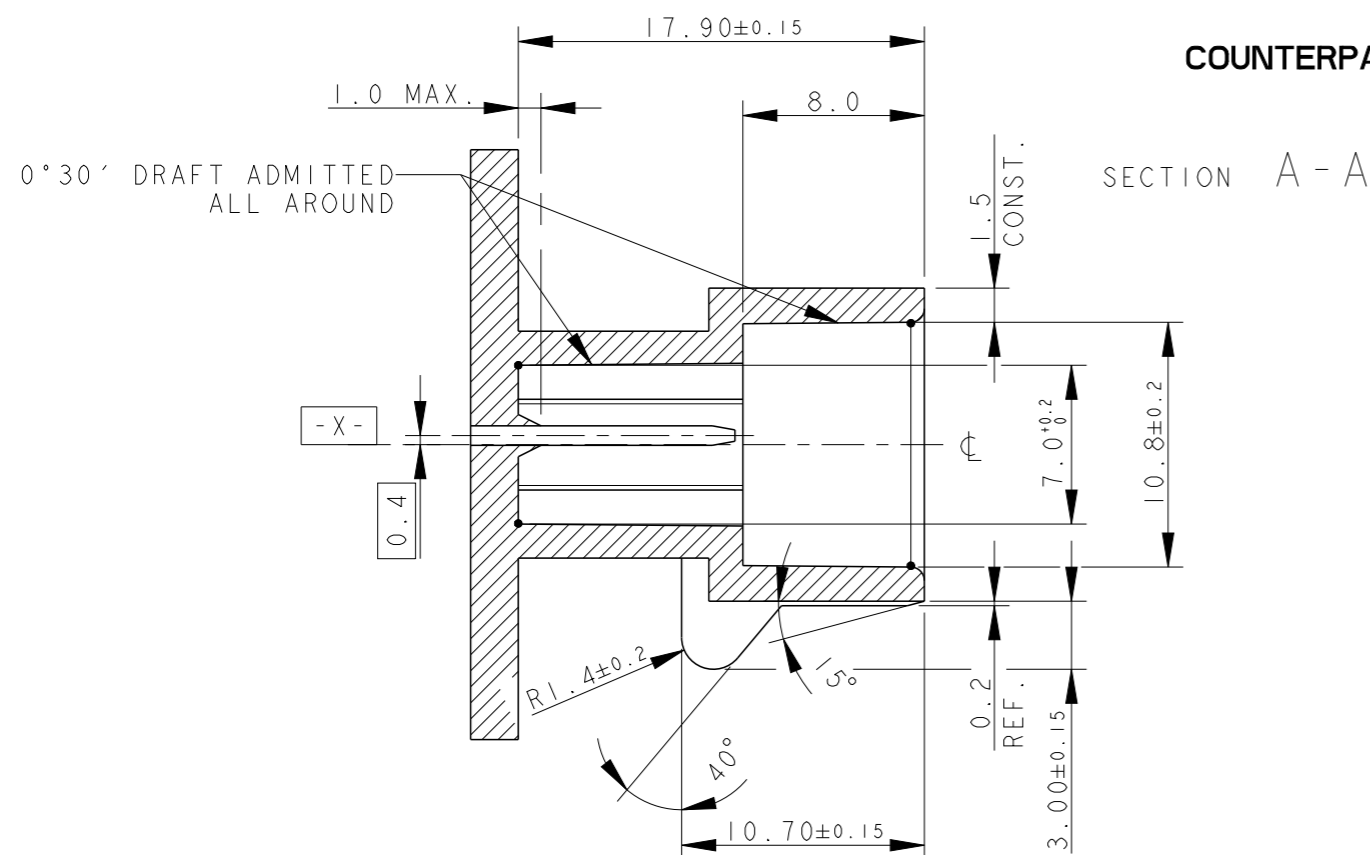


AMP SUPERSEAL 1.5 SRS. 6 POSITIONS PLUG ASS'Y

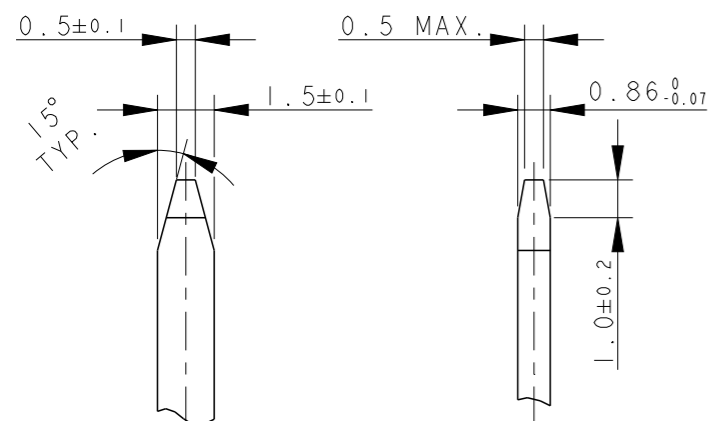
| | | | |
|--------------|--------------------|-------------------------|--------------------|
| SIZE A3 | CAGE CODE 00779 | DRAWING NO C-1745058 | RESTRICTED TO - |
| SCALE 3:1 | | SHEET 1 OF 2 | REV D |

| P | LTR | DESCRIPTION | DATE | DWN | APVD |
|---|-----|-------------|------|-----|------|
| | | SEE SHEET 1 | | | |

COUNTERPART DETAILS



TAB DETAILS

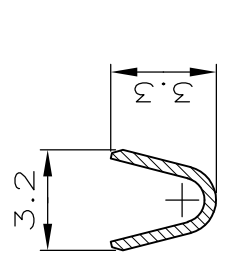


| | | | | | |
|--|--|---------------------------------|--|------------------------|--------------------|
| THIS DRAWING IS A CONTROLLED DOCUMENT. | | DWN M. PALMA 22-06-2005 | TE Connectivity | | |
| DIMENSIONS: mm | | CHK R. MARTINI 22-06-2005 | | | |
| TOLERANCES UNLESS OTHERWISE SPECIFIED: | | APVD - | NAME - | | |
| <ul style="list-style-type: none"> 0 PLC ±- 1 PLC ±0.3 2 PLC ±- 3 PLC ±- 4 PLC ±- ANGLES ±2° | | PRODUCT SPEC 108-20090 | AMP SUPERSEAL 1.5 SRS. 6 POSITIONS PLUG ASS'Y | | |
| MATERIAL | | APPLICATION SPEC 412-20000 | SIZE A300779 | CAGE CODE C-1745058 | RESTRICTED TO - |
| FINISH | | WEIGHT - | DRAWING NO - | | |
| | | CUSTOMER DRAWING | | SCALE 5:1 | SHEET 2 OF 2 |
| | | | | REV D | |

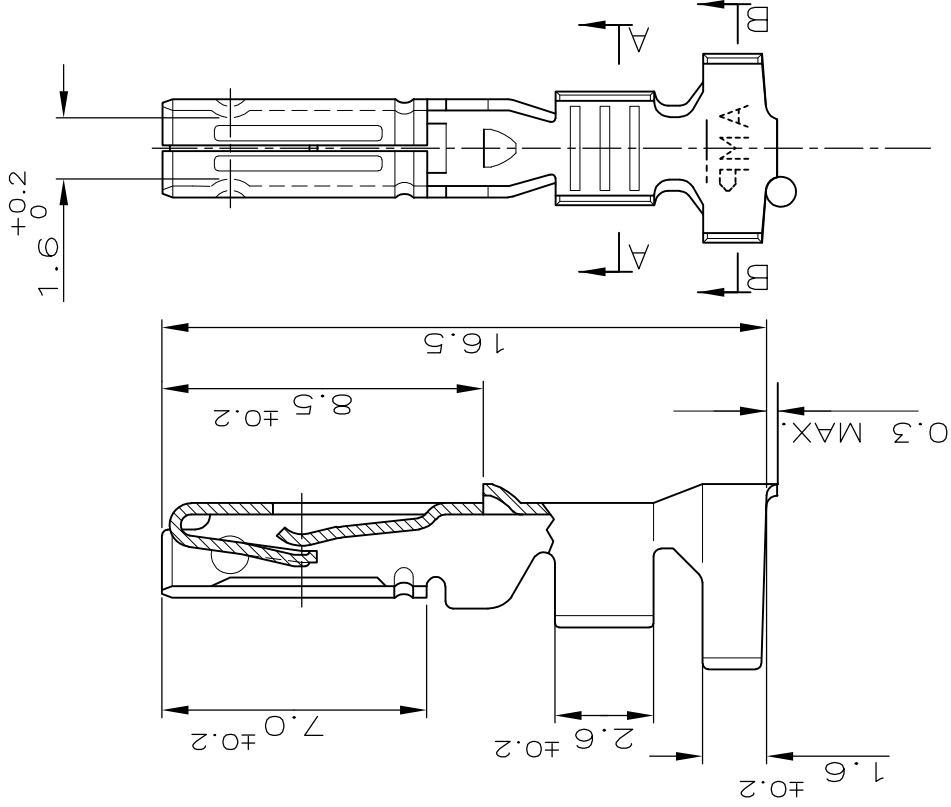
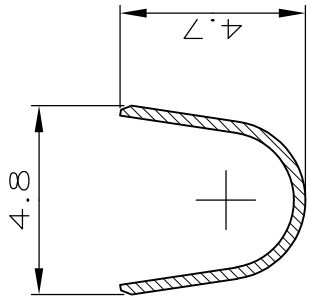
MATERIALS: PA66-GF FOR HOUSING
TIN PLATED BRASS FOR TABS

| | | | | | |
|---------------|-----|------|----------|---------------------------|-------------|
| METRIC | LOC | DIST | REVISONS | | |
| | I | — | P | LTR | DESCRIPTION |
| | | | C3 | REVISED PER ECO-11-005033 | DATE |
| | | | | 11MAR11 | DWN |
| | | | | | APVD |
| | | | | | RK |
| | | | | | HMR |

SEZ. PARZ. A-A



SEZ. PARZ. B-B



ADATTO PER GOMMINO P/N 281934-...
(SUITABLE FOR SINGLE WIRE SEAL P/N 281934-...)

THIS DRAWING IS UNPUBLISHED.

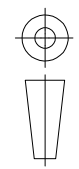
RELEASED FOR PUBLICATION

ALL RIGHTS RESERVED.

© COPYRIGHT - By -

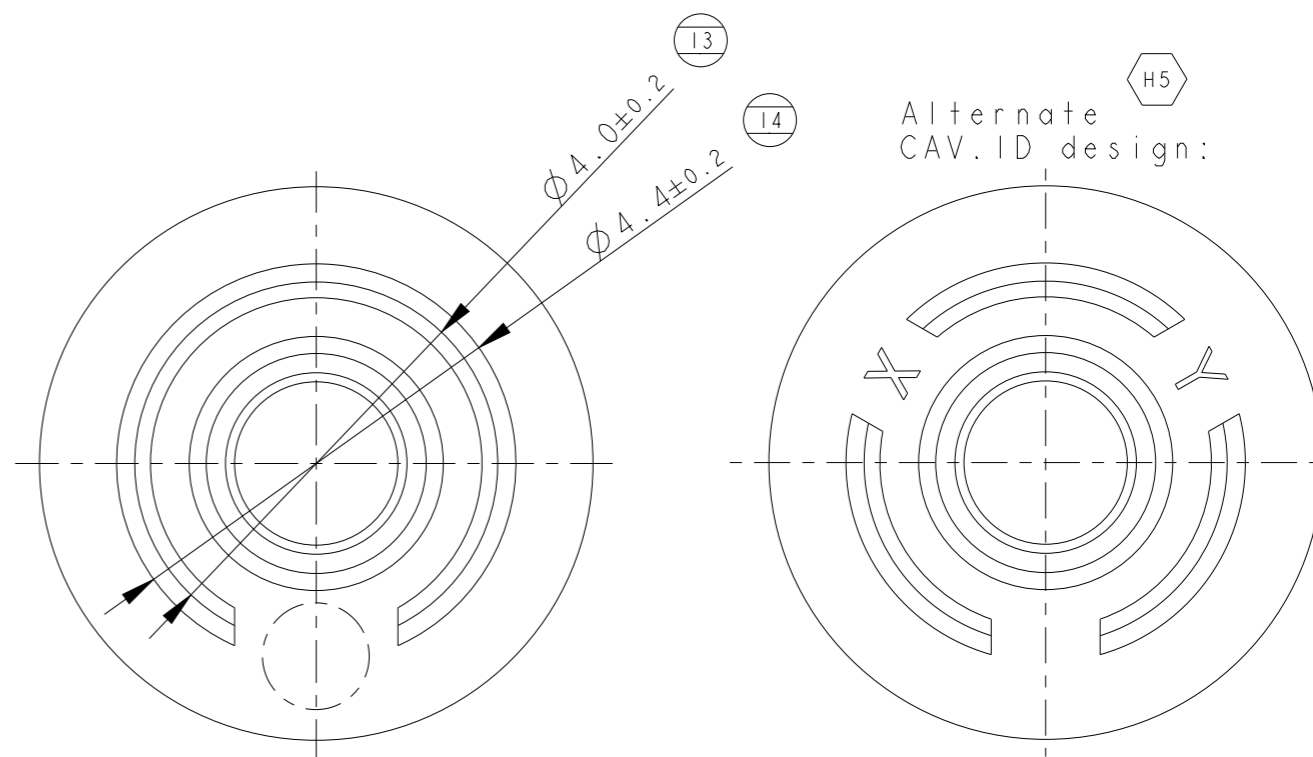
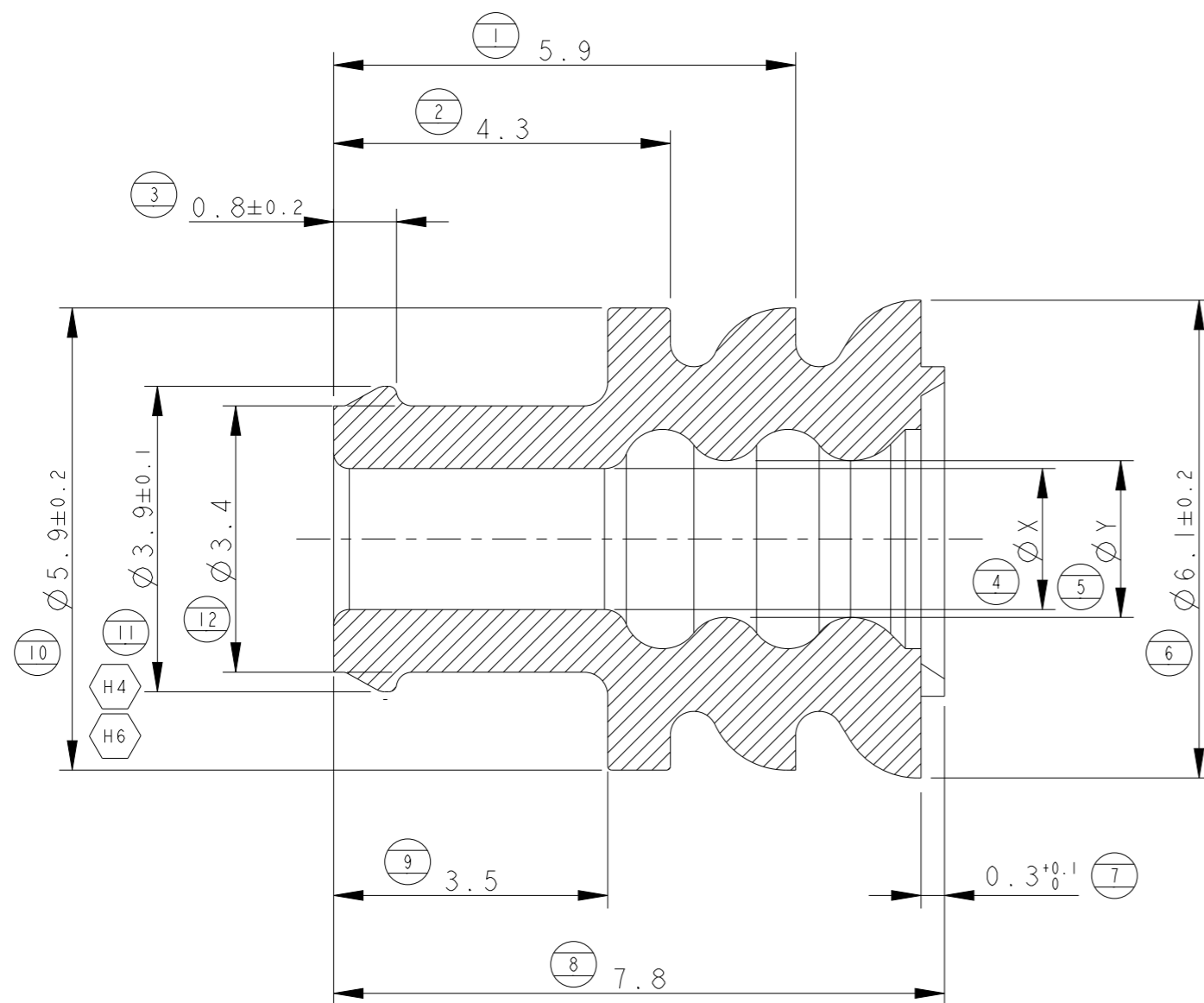
| | | | | |
|---|--|---------------------------------|--|----------------------------|
| CUSTOMER DWG. FOR REFERENCE ONLY | PRE-STAGNATO (PRE-TINNED) | BRONZO FOSFOROSO (PH.BRONZE) | DIAM. ISOLANTE (INS. DIA. RANGE) | RANGO FILO (WIRE RANGE) |
| | FINITURA / COLORE (FINISH / COLOUR) | MATERIALE (MATERIAL) | VED. NOTA | 0.75-1.5mm ² |
| DISEGNO PER CLIENTE SOLO PER RIFERIMENTO | MATERIAL | FINISH | (RICAVATO DA 282110-1) (MADE FROM 282110-1) | |
| | 9 NOV.90 | - | 183025-1 | |
| | 9 NOV.90 | - | NUMERO (PART NUMBER) | |

| | | | | | |
|--|-------|---------------------------|--|-----------------|--|
| DIMENSIONS: | | STE | | TE Connectivity | |
| mm | | NAME | | | |
| TOLERANCES UNLESS OTHERWISE SPECIFIED: | | (LOOSE PIECE VERSION) | | | |
| 0 PLC | ± | MINI MIC SRS REC. CONTACT | | | |
| 1 PLC | ± 0.3 | CAGE CODE | | | |
| 2 PLC | ± | DRAWING NO | | | |
| 3 PLC | ± | RESTRICTED TO | | | |
| 4 PLC | ± | - | | | |
| ANGLES | ± 2° | A4 00779 | | | |
| WEIGHT | | C= 183025 | | | |
| CUSTOMER DRAWING | | SCALE 5:1 | | | |
| | | SHEET 1 of 1 | | | |
| | | REV C3 | | | |

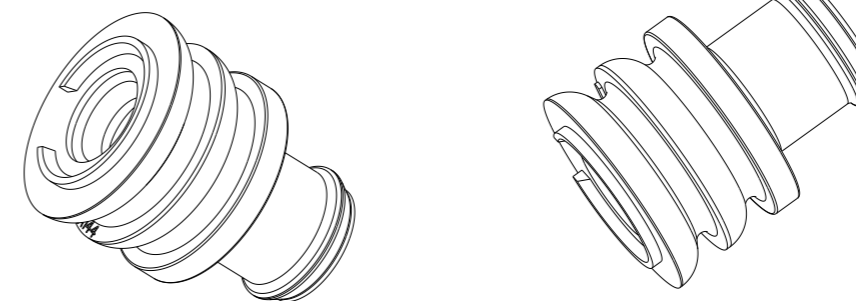


REVISIONS

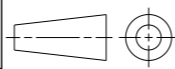
| P | LTR | DESCRIPTION | DATE | DWN | APVD |
|----|-----|---|-----------|-----|------|
| H3 | | ECR-23-169886 | 17APR2023 | BV | GB |
| H4 | | (5- -3) added & DIM.11 Tolerance changed. | 13MAY2025 | BV | SZG |
| H5 | | Alternate CAV.ID design added. | 11SEP2025 | BV | GB |
| H6 | | Drawing error (DIM.11) was fixed | 23SEP2025 | BV | GB |



SCALE 5:1



| | | | | | | | |
|-----------------------|------------------|------------------|--------|----------------------------|------|------------|----|
| same as 281934-3 | same as 281934-3 | same as 281934-3 | YELLOW | LSR | H | 5-281934-3 | H4 |
| same as 281934-2 | same as 281934-2 | same as 281934-2 | YELLOW | LSR | H | 5-281934-2 | H3 |
| 1.2 - 1.6 | 1.0±0.2 | 1.0±0.2 | WHITE | FLUORSILICONE RUBBER (FSL) | H | 281934-5 | |
| | | | GREEN | SILICONE RUBBER (LSR) | H | 281934-4 | |
| 2.5 - 3.3 | 2.0±0.2 | 1.8±0.2 | RED | SILICONE RUBBER (LSR) | H | 281934-3 | |
| 1.7 - 2.4 | 1.4±0.2 | 1.4±0.2 | YELLOW | SILICONE RUBBER (LSR) | H | 281934-2 | |
| SUITABLE FOR INS. DIA | DIM. "Y" | DIM. "X" | COLOUR | MATERIAL | REV. | P/N | |



MATERIAL

SEE TABLE

THIS DRAWING IS A CONTROLLED DOCUMENT.

DIMENSIONS: mm

TOLERANCES UNLESS OTHERWISE SPECIFIED:

- 0 PLC ±0.3
- 1 PLC ±0.3
- 2 PLC ±-
- 3 PLC ±-
- 4 PLC ±-
- ANGLES ±2°
- FINISH -

DWN C. BERTINI 12-'88

CHK A. BRUNI 05-'92

APVD -

PRODUCT SPEC -

APPLICATION SPEC -

WEIGHT -

Customer Drawing

STE TE Connectivity

NAME SINGLE WIRE SEAL

| SIZE | CAGE CODE | DRAWING NO | RESTRICTED TO |
|------|-----------|------------|---------------|
| A3 | - | C-281934 | - |

SCALE 7:1 SHEET 1 OF 1 REV H6