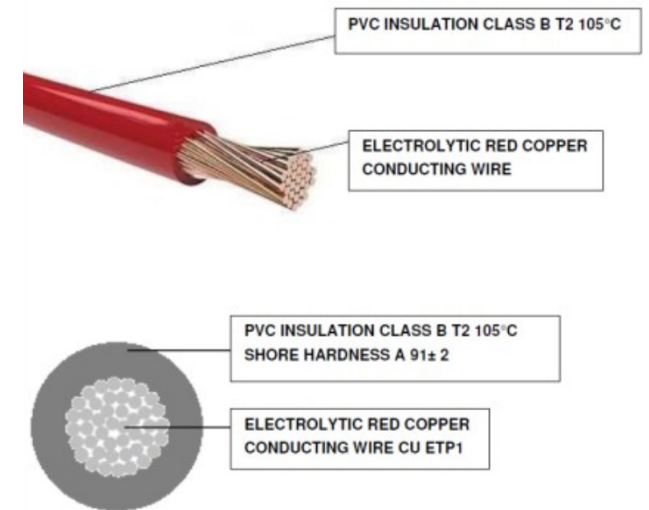


M 282103-C



Caratteristiche CAVO	
Temperatura d'uso	-40 °C / +105 °C (IDLE STATE)
Sezione	1.00 mmq
Colore	Nero
Documenti di riferimento	ISO 19642 : 2019 / DIN 72551 ISO 6722 CLASS B / LV 112 / ISO 3795 FIAT 91107 / 18 (where applicable) ROHS II/III UN R118
Lunghezza	20 cm
Tipologia	F3T2



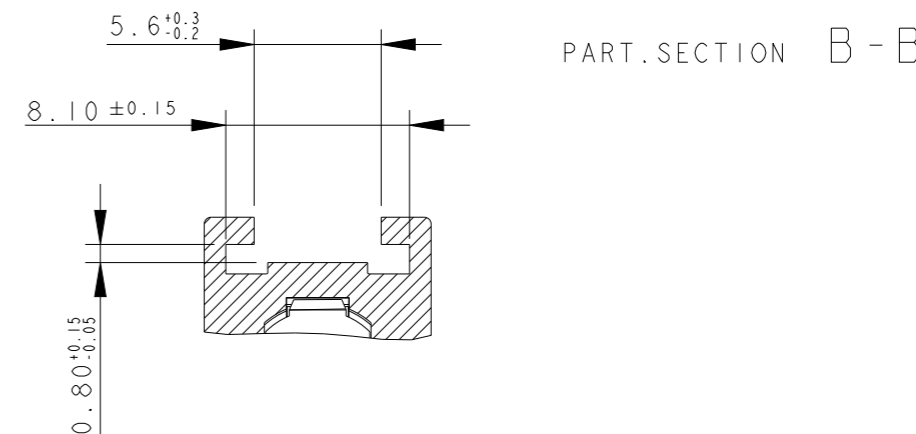
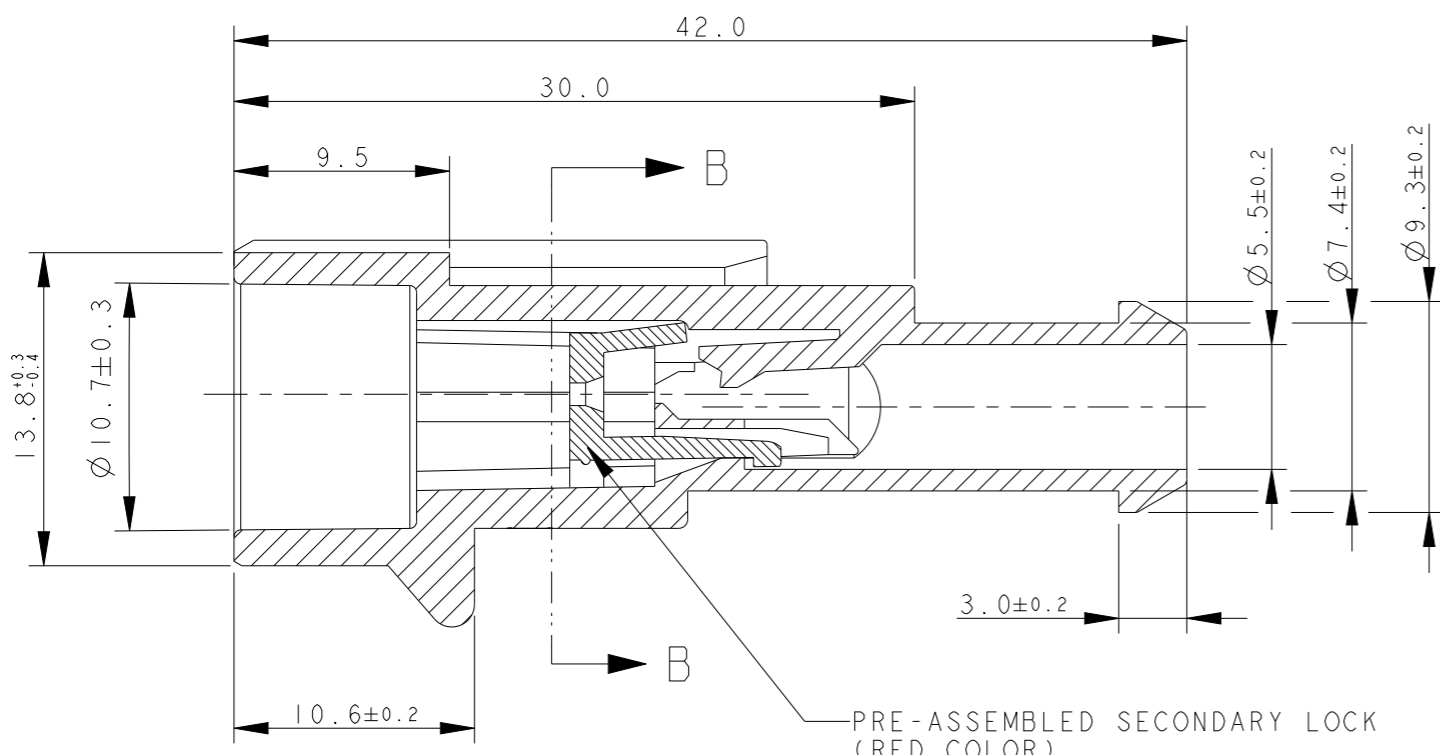
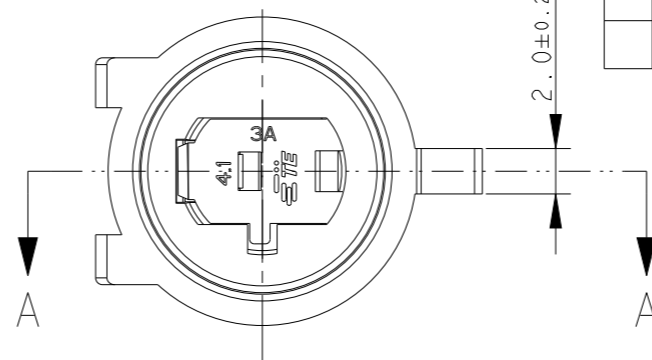
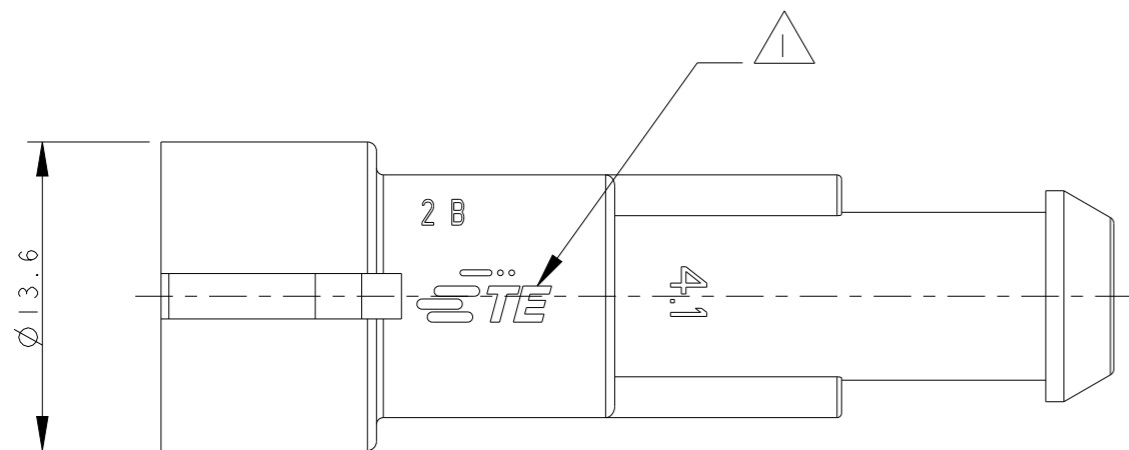
CROSS SECTION	COND. CONSTR.	EXT. DIAMETER.	INSUL. MATERIAL	EL. RES. MAX 20°	MAX VOLT.	INSULATION THICKNESS (+)
1 x 1,00	32 x 0,20 ± 0,01 mm	2,10 +0 mm -0,2 mm	PVC T2 HT 105 °C	18,5 OHM/KM	< 300 V	≥ 0,24

Proseguire nella pagina successiva per visualizzare la scheda tecnica dei componenti

Revisione	Prodotto
REV.00 14/04/2026	AfterMarket

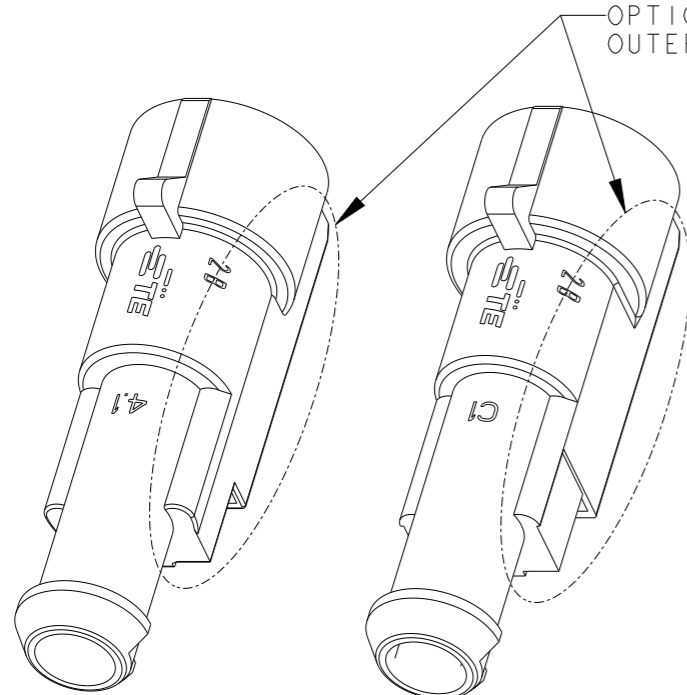
REVISIONS

P	LTR	DESCRIPTION	DATE	DWN	APVD
B1		REVISED (ECO-17-009774)	06SEP2017	M.G.	M.G.
B2		REVISED PER ECO-18-003893	05MAR2018	AP	VN
B3		REVISED PER ECO-20-002019	12FEB2020	AP	VN
B4		REVISED PER ECN-21-110072	21JUL2021	AP	VN



1 TE CONNECTIVITY TRADE MARK, (IN ALTERNATIVE: "AMP" LOGO, OR "Tyco Electronics" LOGO)

OPTIONAL SHAPE OF OUTER PROFILE



BROWN	PA66-GF	B	4-282103-1
GRAY	PA66-GF	B	282103-2
BLACK	PA66-GF	B	282103-1
FINISH/COLOR	MATERIAL	REV	PART NUMBER

THIS DRAWING IS A CONTROLLED DOCUMENT.

DWN C. BERTINI 02-1990

CHK A. BRUNI 02-1990

APVD -

PRODUCT SPEC 108-20090

APPLICATION SPEC 412-20000

WEIGHT 2.83g

DIMENSIONS: mm

TOLERANCES UNLESS OTHERWISE SPECIFIED:

- 0 PLC ±
- 1 PLC ± 0.3
- 2 PLC ±
- 3 PLC ±
- 4 PLC ±
- ANGLES ± 2°

MATERIAL -

FINISH -

SEE TABLE

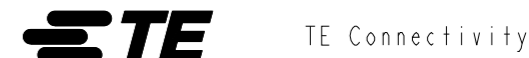
SEE TABLE

Customer Drawing

NAME AMP SUPERSEAL 1.5 SRS. 1 POSITION TAB ASS'Y

SIZE CAGE CODE DRAWING NO RESTRICTED TO

A300779 C-282103

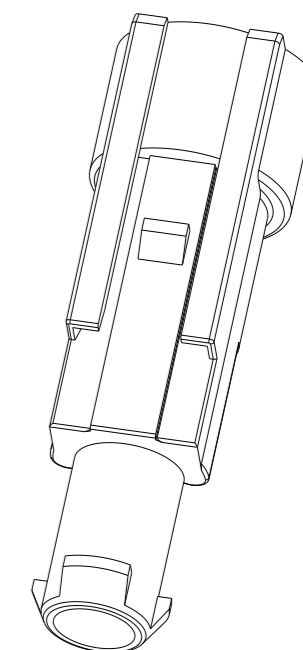
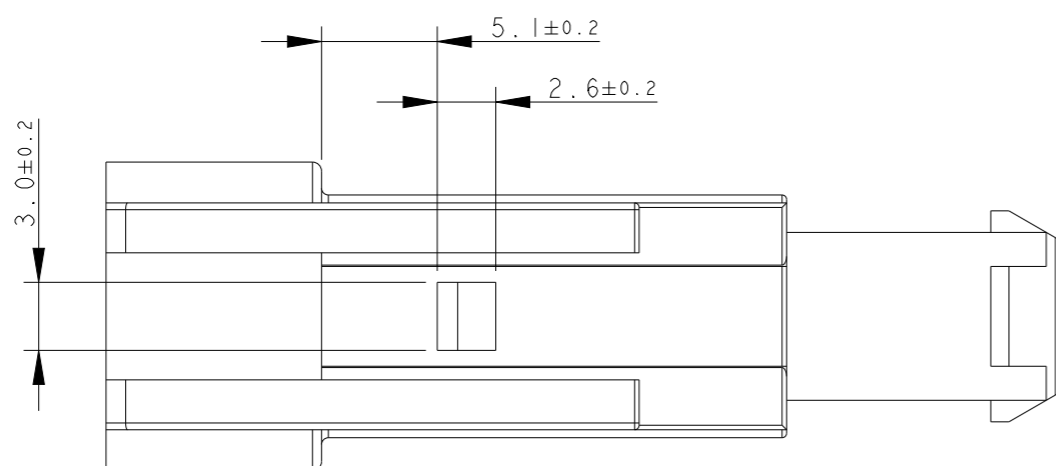
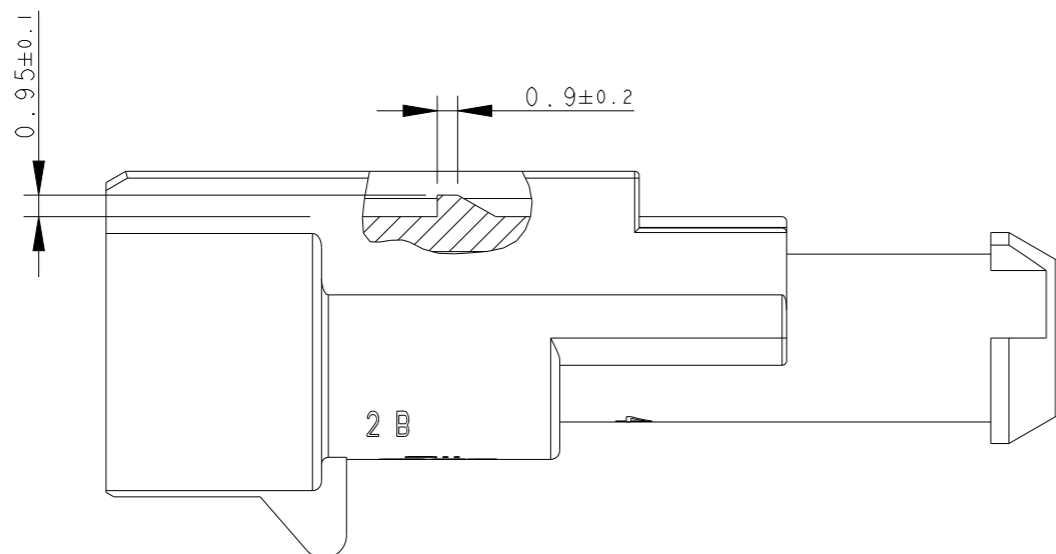


SCALE 3:1 SHEET 1 OF 2 REV B4

REVISIONS

P	LTR	DESCRIPTION	DATE	DWN	APVD
-	-	SEE SHEET 1	-	-	-

REFER SHEET 1 FOR MISSING DIMENSIONS



4-282103-1 AS SHOWN

THIS DRAWING IS A CONTROLLED DOCUMENT.

DWN C. BERTINI 02-1990

CHK A. BRUNI 02-1990

APVD -

PRODUCT SPEC 108-20090

APPLICATION SPEC 412-20000

WEIGHT 2.83g

NAME
AMP SUPERSEAL 1.5 SRS.
1 POSITION TAB ASS'Y

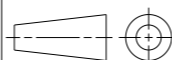
SIZE CAGE CODE DRAWING NO RESTRICTED TO

A300779 G-282103



DIMENSIONS:
mm

TOLERANCES UNLESS OTHERWISE SPECIFIED:



- 0 PLC ±-
- 1 PLC ± 0.3
- 2 PLC ±-
- 3 PLC ±-
- 4 PLC ±-
- ANGLES ± 2°

MATERIAL
-
SEE TABLE

FINISH
-
SEE TABLE

Customer Drawing

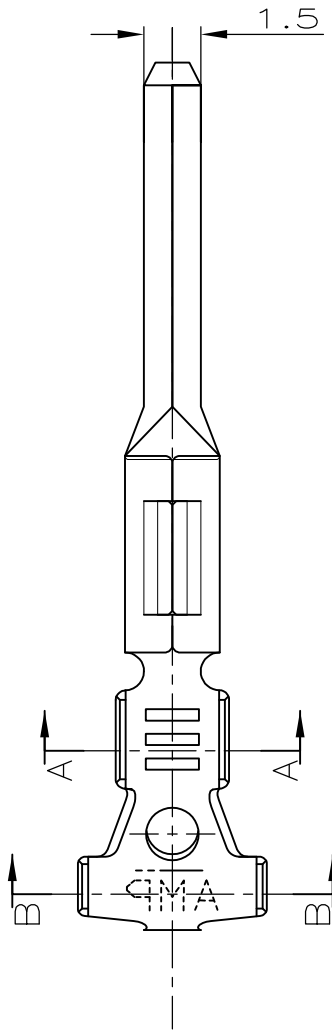
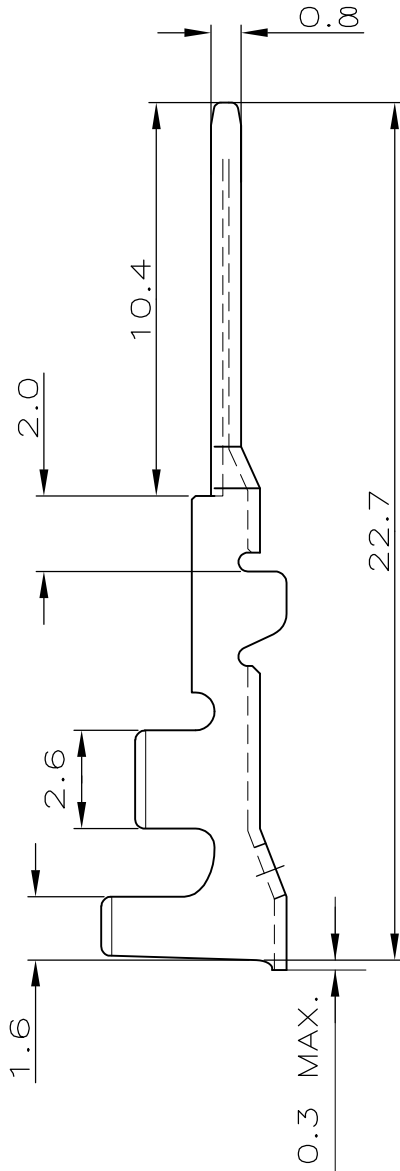
SCALE 3:1

SHEET 2 OF 2

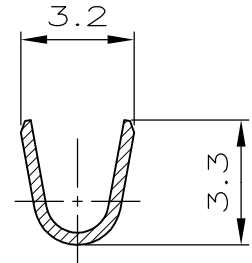
REV B4

METRIC

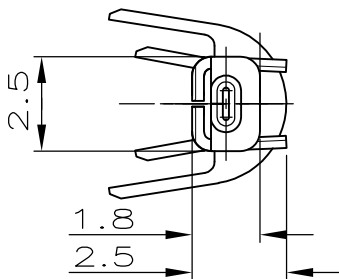
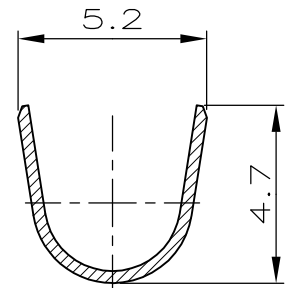
LOC	DIST	REVISIONS					
I	—	P	LTR	DESCRIPTION	DATE	DWN	APVD
		C1		REVISED PER ECO-11-005033	1APR11	RK	HMR



PARTIAL SECTION A-A



PARTIAL SECTION B-B



- ① RICAVATO DAL P/N 282109-1 (MADE FROM P/N 282109-1)
- ② ADATTO PER GOMMINO PASSACAVO 281934-... (SUITABLE FOR SINGLE WIRE SEAL 281934-...)

DIAM. ISOLANTE (INS. DIA. RANGE)	RANGO FILO (WIRE RANGE)
②	0.75-1.5mm ²

PRESTAGNATO (PRE-TIN PLTD.)	OTTONE (BRASS)	① 183024-1
FINITURA / COLORE (FINISH / COLOUR)	MATERIALE (MATERIAL)	NUMERO (PART NUMBER)

CUSTOMER DWG. FOR REFERENCE ONLY

DISEGNO PER CLIENTE SOLO PER RIFERIMENTO

RELEASED FOR PUBLICATION

ALL RIGHTS RESERVED.

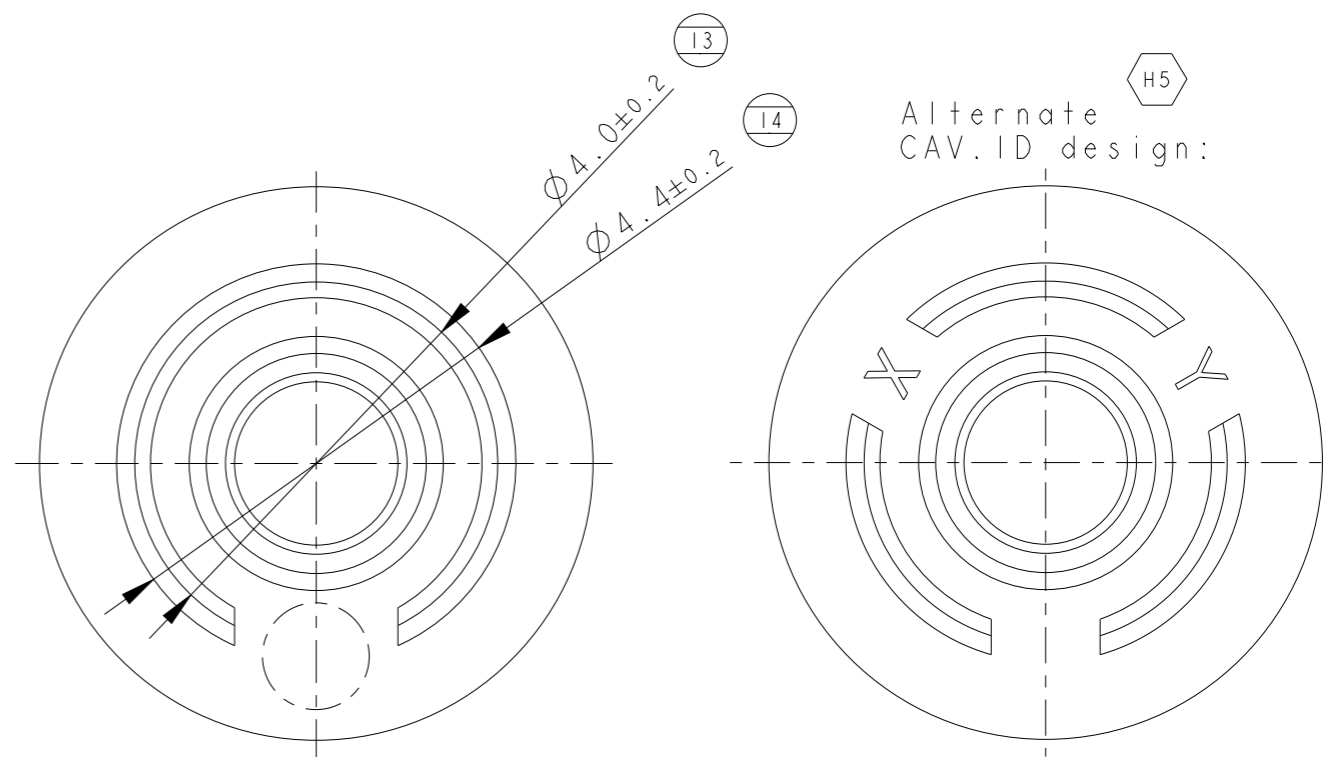
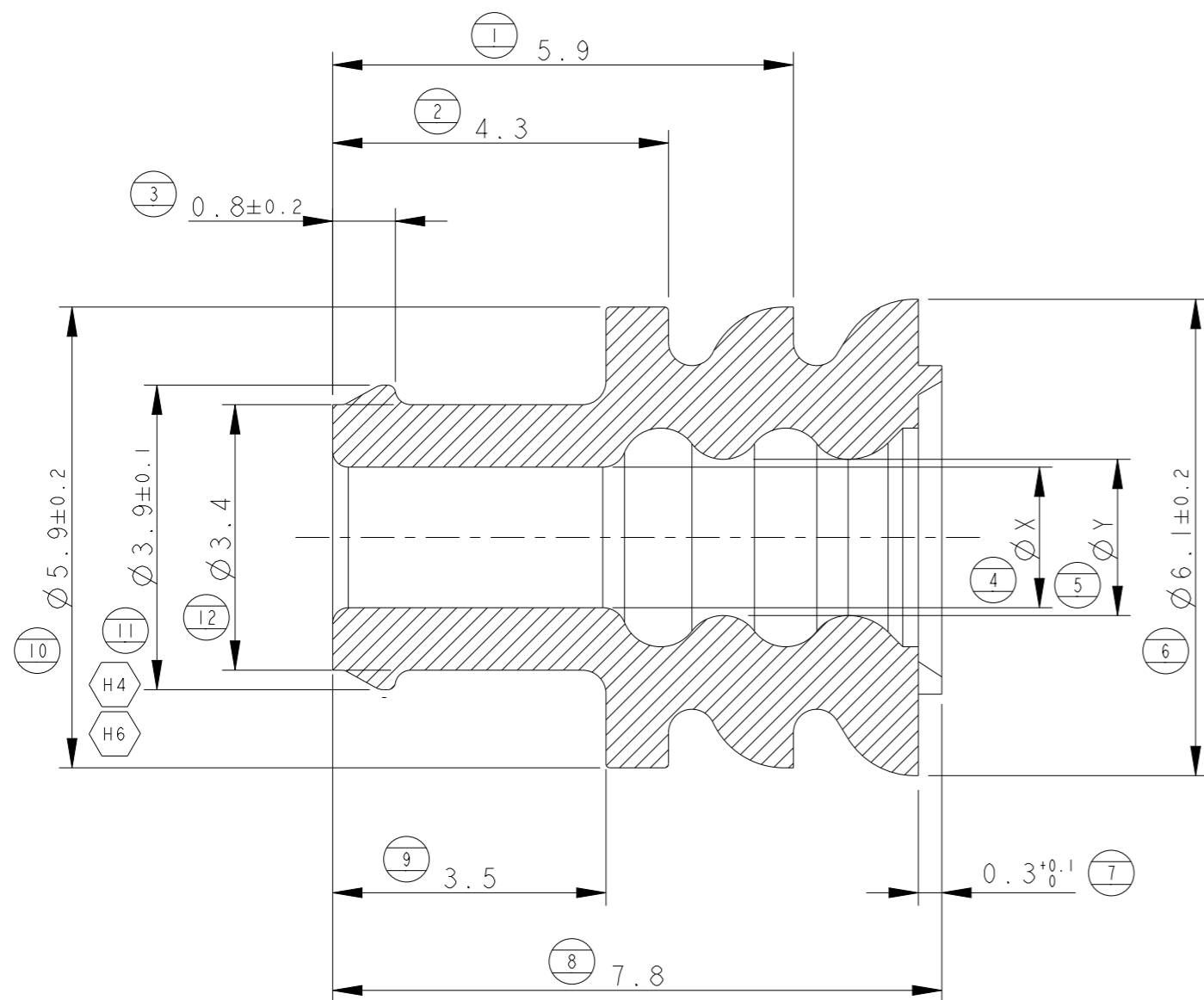
THIS DRAWING IS UNPUBLISHED.

© COPYRIGHT - By -

DIMENSIONS: mm	DWN	BASSANO	9 NOV.90	MATERIAL	-	FINISH	-
	CHK	A.BRUNI	9 NOV.90	TE Connectivity			
TOLERANCES UNLESS OTHERWISE SPECIFIED:	APVD	-					
0 PLC ± -	PRODUCT SPEC	-		NAME MINI MIC SRS TAB CONTACT (LOOSE PIECE VERSION)			
1 PLC ± 0.3	APPLICATION SPEC	-					
2 PLC ± -	WEIGHT	-		SIZE	A4	CAGE CODE	00779
3 PLC ± -				DRAWING NO	C-183024		RESTRICTED TO
4 PLC ± -							-
ANGLES ± 2°							
CUSTOMER DRAWING				SCALE	5:1	SHEET	1 OF 1
							REV C1

REVISIONS

P	LTR	DESCRIPTION	DATE	DWN	APVD
H3		ECR-23-169886	17APR2023	BV	GB
H4		(5- -3) added & DIM.11 Tolerance changed.	13MAY2025	BV	SZG
H5		Alternate CAV.ID design added.	11SEP2025	BV	GB
H6		Drawing error (DIM.11) was fixed	23SEP2025	BV	GB



SCALE 5:1

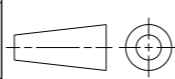


same as 281934-3	same as 281934-3	same as 281934-3	YELLOW	LSR	H	5-281934-3	H4
same as 281934-2	same as 281934-2	same as 281934-2	YELLOW	LSR	H	5-281934-2	H3
1.2 - 1.6	1.0 ± 0.2	1.0 ± 0.2	WHITE	FLUORSILICONE RUBBER (FSL)	H	281934-5	
			GREEN	SILICONE RUBBER (LSR)	H	281934-4	
2.5 - 3.3	2.0 ± 0.2	1.8 ± 0.2	RED	SILICONE RUBBER (LSR)	H	281934-3	
1.7 - 2.4	1.4 ± 0.2	1.4 ± 0.2	YELLOW	SILICONE RUBBER (LSR)	H	281934-2	
SUITABLE FOR INS. DIA	DIM. "Y"	DIM. "X"	COLOUR	MATERIAL	REV.	P/N	



THIS DRAWING IS A CONTROLLED DOCUMENT.

DIMENSIONS: mm



MATERIAL SEE TABLE

TOLERANCES UNLESS OTHERWISE SPECIFIED:	
0 PLC	±0.3
1 PLC	±0.3
2 PLC	±-
3 PLC	±-
4 PLC	±-
ANGLES	±2°
FINISH	-

DWN C. BERTINI 12-'88

CHK A. BRUNI 05-'92

APVD -

PRODUCT SPEC -

APPLICATION SPEC -

WEIGHT -

Customer Drawing

TE Connectivity		NAME SINGLE WIRE SEAL		RESTRICTED TO -	
SIZE A3	CAGE CODE -	DRAWING NO. C-281934	SCALE 7:1 SHEET 1 OF 1 REV H6		