

M 282104-K



MINIKIT

Proseguire nella pagina successiva per visualizzare la scheda tecnica dei componenti

Revisione	Prodotto
REV.00 15/04/2026	OEM

4

3

2

1

THIS DRAWING IS UNPUBLISHED.

RELEASED FOR PUBLICATION

2007

© COPYRIGHT 2007 BY -

ALL RIGHTS RESERVED.

REVISIONS

P	LTR	DESCRIPTION	DATE	DWN	APVD
	B1	REVISED PER ECO-17-009774	06SEP2017	M.G.	M.G.
	B2	REVISED PER ECO-19-004916	29MAR2019	AP	VN

PRE-ASSEMBLED SECONDARY LOCK

SECTION C-C

Dimensions for SECTION C-C:

- Top width: 10.6 ± 0.2
- Left height: $13.8^{+0.3}$
- Inner left height: 10.7 ± 0.3
- Right offset: 3.0 ± 0.2
- Bottom left offset: 9.5
- Bottom middle offset: 30.0
- Bottom total length: 42.0
- Right diameter: $\phi 5.5 \pm 0.2$
- Right height: 7.4 ± 0.2
- Right total height: 9.3 ± 0.2

PART SECTION B-B

Dimensions for PART SECTION B-B:

- Top width: 8.10 ± 0.15
- Bottom width: $5.6^{+0.3}_{-0.2}$
- Right height: $0.80^{+0.15}_{-0.05}$

Dimensions for front view:

- Total height: 19.8
- Inner height: $15.6^{+0.3}$
- Right height 1: 13.4 ± 0.2
- Right height 2: 15.3 ± 0.2

Callouts: 1 (TE Connectivity Trade Mark), 2 (Date Code)

Dimensions for top view:

- Left height: 6.0 ± 0.2
- Right offset: 3.0 ± 0.2

HSG: WHITE SEC. LOCK: WHITE	PA66-GF UL94-V2 ACC. TO IEC 60335-1	A	1745099-1
HSG: GREEN SEC. LOCK: RED	PA66-GF	B	282104-3
HSG: GRAY SEC. LOCK: RED	PA66-GF	B	282104-2
HSG: BLACK SEC. LOCK: RED	PA66-GF	B	282104-1
FINISH/COLOR	MATERIAL	REV	P/N

1 TE CONNECTIVITY TRADE MARK,
(IN ALTERNATIVE: "AMP" LOGO, OR "Tyco Electronics" LOGO)

2 DATE CODE (OPTIONAL IN OLD MOULDS)

THIS DRAWING IS A CONTROLLED DOCUMENT.

DWN C. BERTINI 02-1990

CHK A. BRUNI 02-1990

APVD -

PRODUCT SPEC

108-20090

APPLICATION SPEC

412-20000

WEIGHT

3.72g

DIMENSIONS:
mm

MATERIAL

SEE TABLE

TOLERANCES UNLESS
OTHERWISE SPECIFIED:

0 PLC	±
1 PLC	± 0.3
2 PLC	±
3 PLC	±
4 PLC	±
ANGLES	± 2°

FINISH

SEE TABLE

NAME

AMP SUPERSEAL 1.5 SRS.

2 POSITIONS TAB ASS'Y

-

SIZE

A300779

CAGE CODE

C=282104

DRAWING NO

Customer Drawing

SCALE

3:1

SHEET

1

OF

1

REV

B2

AMP SUPERSEAL 1.5 SRS.
2 POSITIONS TAB ASS'Y

RESTRICTED TO

-

SCALE

3:1

SHEET

1

OF

1

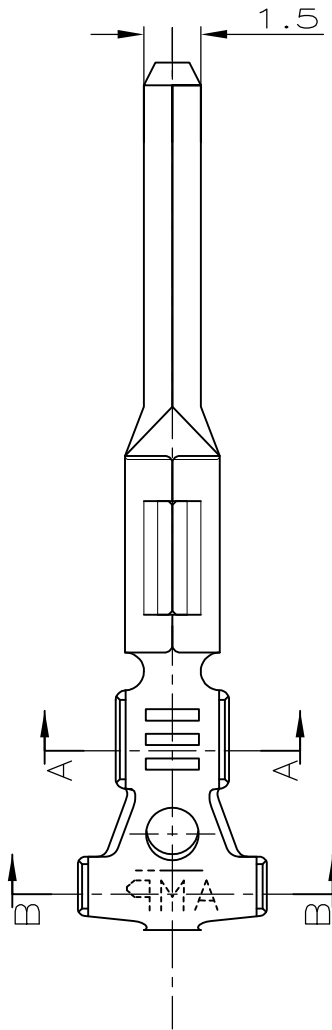
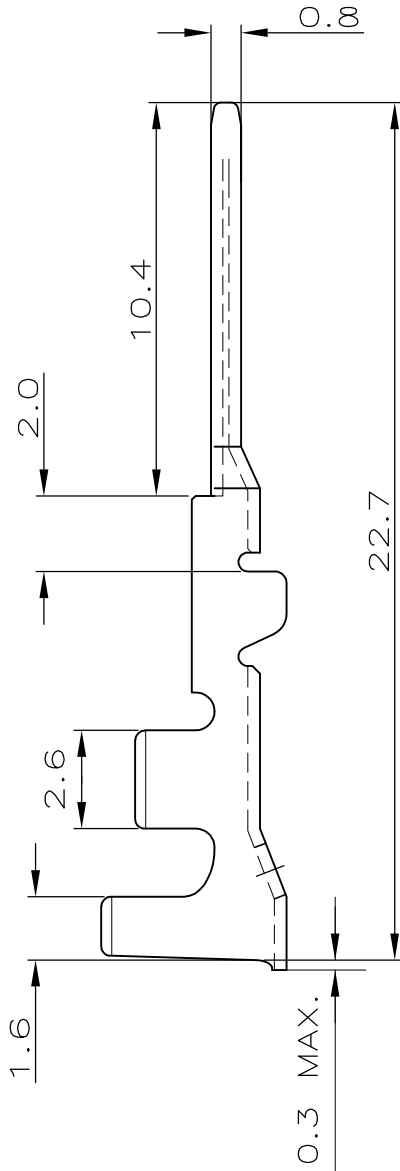
REV

B2

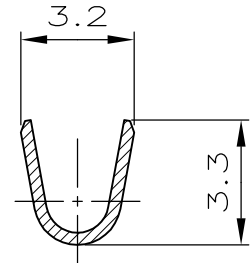
1470-19 (3/13)

METRIC

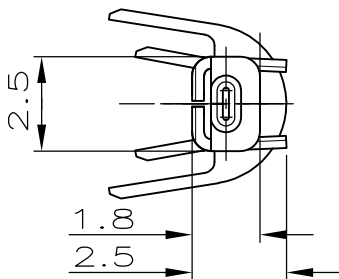
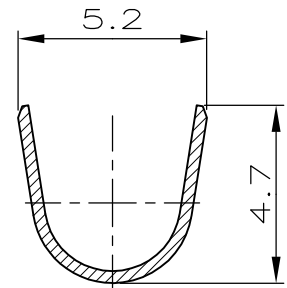
LOC	DIST	REVISIONS					
I	—	P	LTR	DESCRIPTION	DATE	DWN	APVD
		C1		REVISED PER ECO-11-005033	1APR11	RK	HMR



PARTIAL SECTION A-A



PARTIAL SECTION B-B



- ① RICAVATO DAL P/N 282109-1 (MADE FROM P/N 282109-1)
- ② ADATTO PER GOMMINO PASSACAVO 281934-... (SUITABLE FOR SINGLE WIRE SEAL 281934-...)

DIAM. ISOLANTE (INS. DIA. RANGE)	RANGO FILO (WIRE RANGE)
②	0.75-1.5mm ²

PRESTAGNATO (PRE-TIN PLTD.)	OTTONE (BRASS)	① 183024-1
FINITURA / COLORE (FINISH / COLOUR)	MATERIALE (MATERIAL)	NUMERO (PART NUMBER)

CUSTOMER DWG. FOR REFERENCE ONLY

DISEGNO PER CLIENTE SOLO PER RIFERIMENTO

RELEASED FOR PUBLICATION

ALL RIGHTS RESERVED.

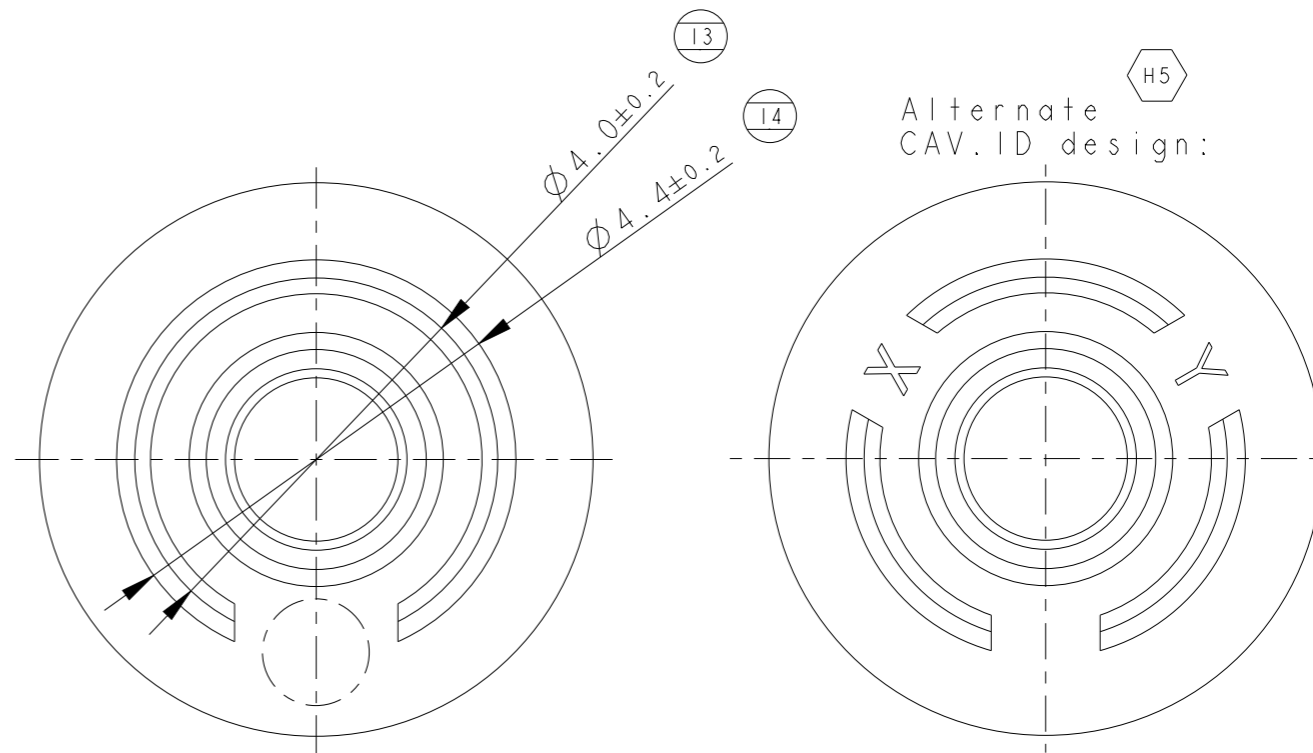
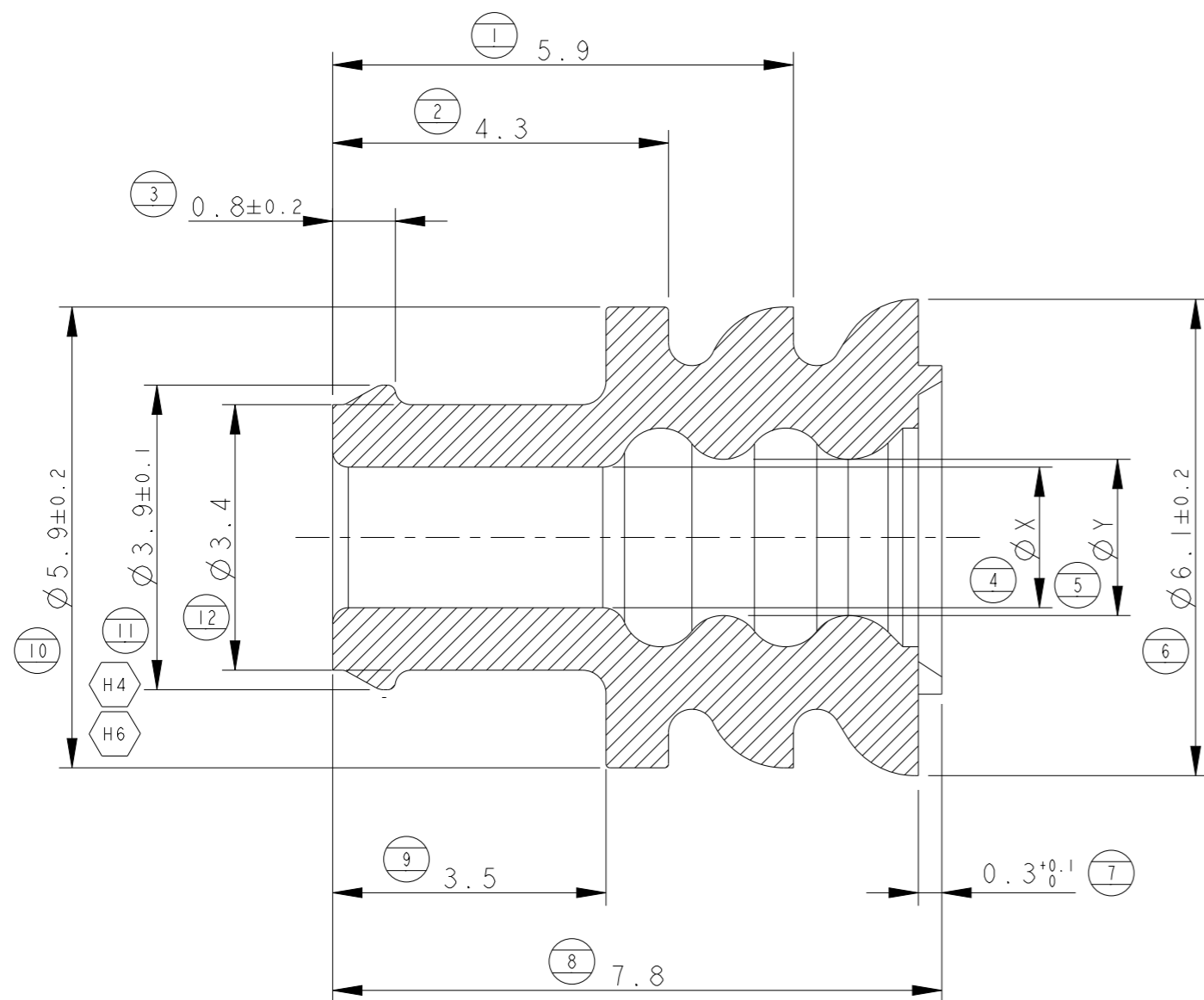
THIS DRAWING IS UNPUBLISHED.

© COPYRIGHT - By -

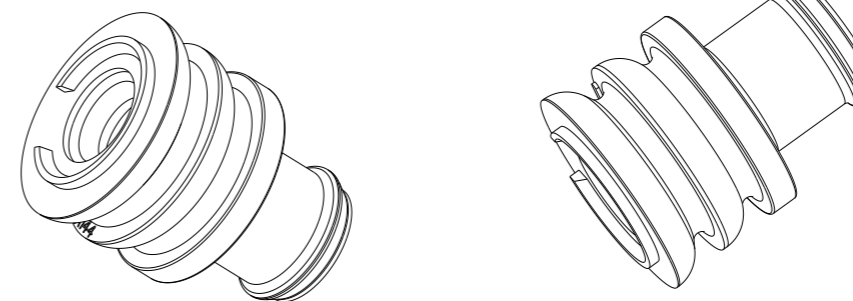
DIMENSIONS: mm	DWN	BASSANO	9 NOV.90	MATERIAL	-	FINISH	-
	CHK	A.BRUNI	9 NOV.90	TE Connectivity			
TOLERANCES UNLESS OTHERWISE SPECIFIED:	APVD	-					
0 PLC ± -	PRODUCT SPEC	-		NAME MINI MIC SRS TAB CONTACT (LOOSE PIECE VERSION)			
1 PLC ± 0.3	APPLICATION SPEC	-					
2 PLC ± -	WEIGHT	-		SIZE	A4	CAGE CODE	00779
3 PLC ± -				DRAWING NO	C-183024	RESTRICTED TO	
4 PLC ± -							
ANGLES ± 2°							
CUSTOMER DRAWING				SCALE	5:1	SHEET	1 OF 1
							REV C1

REVISIONS

P	LTR	DESCRIPTION	DATE	DWN	APVD
H3		ECR-23-169886	17APR2023	BV	GB
H4		(5- -3) added & DIM.11 Tolerance changed.	13MAY2025	BV	SZG
H5		Alternate CAV.ID design added.	11SEP2025	BV	GB
H6		Drawing error (DIM.11) was fixed	23SEP2025	BV	GB



SCALE 5:1



same as 281934-3	same as 281934-3	same as 281934-3	YELLOW	LSR	H	5-281934-3	H4
same as 281934-2	same as 281934-2	same as 281934-2	YELLOW	LSR	H	5-281934-2	H3
1.2 - 1.6	1.0±0.2	1.0±0.2	WHITE	FLUORSILICONE RUBBER (FSL)	H	281934-5	
			GREEN	SILICONE RUBBER (LSR)	H	281934-4	
2.5 - 3.3	2.0±0.2	1.8±0.2	RED	SILICONE RUBBER (LSR)	H	281934-3	
1.7 - 2.4	1.4±0.2	1.4±0.2	YELLOW	SILICONE RUBBER (LSR)	H	281934-2	
SUITABLE FOR INS. DIA	DIM. "Y"	DIM. "X"	COLOUR	MATERIAL	REV.	P/N	



THIS DRAWING IS A CONTROLLED DOCUMENT.

DWN C. BERTINI 12-'88

CHK A. BRUNI 05-'92

APVD -

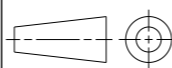
NAME SINGLE WIRE SEAL



TE Connectivity

DIMENSIONS: mm

TOLERANCES UNLESS OTHERWISE SPECIFIED:



0 PLC ±0.3
 1 PLC ±0.3
 2 PLC ±
 3 PLC ±
 4 PLC ±
 ANGLES ±2°

MATERIAL

FINISH

SEE TABLE

PRODUCT SPEC	-
APPLICATION SPEC	-
WEIGHT	-
Customer Drawing	

SIZE	CAGE CODE	DRAWING NO	RESTRICTED TO
A3	-	C-281934	-
SCALE	SHEET	OF	REV
7:1	1	1	H6