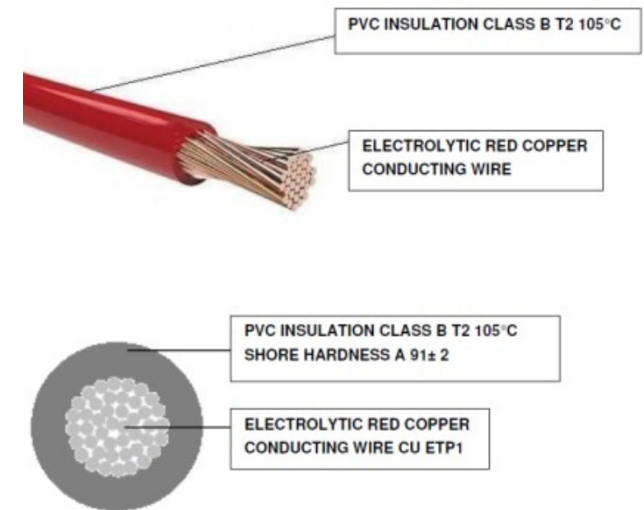


M 282106-C



Caratteristiche CAVO	
Temperatura d'uso	-40 °C / +105 °C (IDLE STATE)
Sezione	1.00 mmq
Colore	Nero
Documenti di riferimento	ISO 19642 : 2019 / DIN 72551 ISO 6722 CLASS B / LV 112 / ISO 3795 FIAT 91107 / 18 (where applicable) ROHS II/III UN R118
Lunghezza	20 cm
Tipologia	F3T2



CROSS SECTION	COND. CONSTR.	EXT. DIAMETER.	INSUL. MATERIAL	EL. RES. MAX 20°	MAX VOLT.	INSULATION THICKNESS (+)
1 x 1,00	32 x 0,20 ± 0,01 mm	2,10 +0 mm -0,2 mm	PVC T2 HT 105 °C	18,5 OHM/KM	< 300 V	≥ 0,24

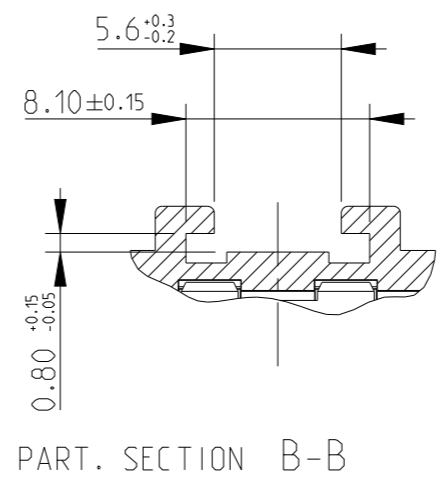
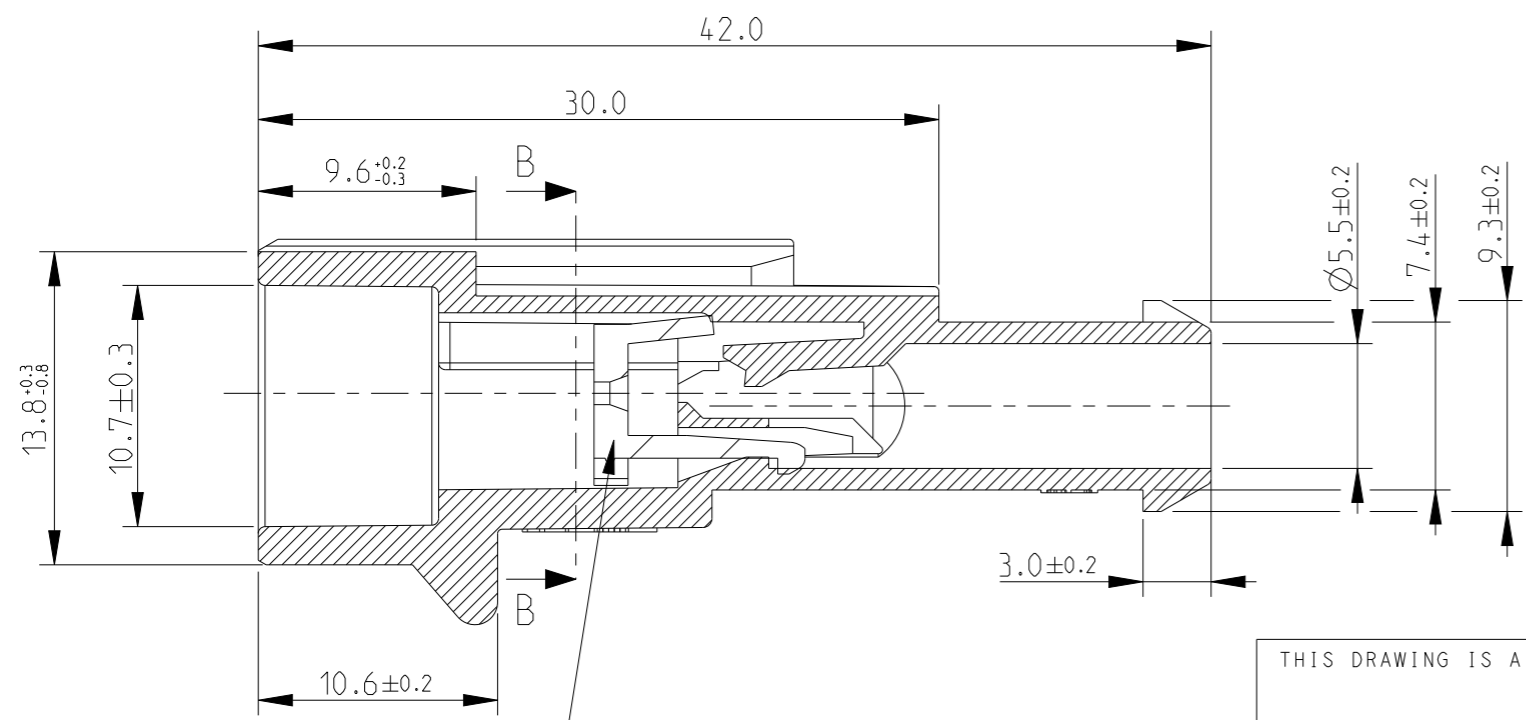
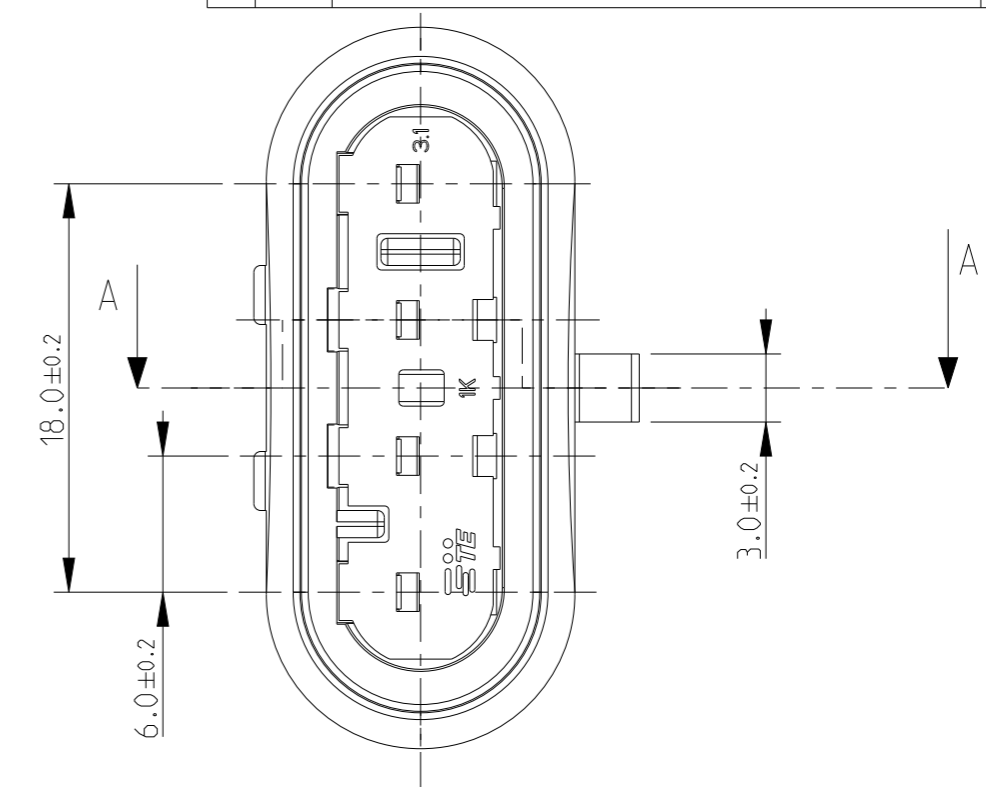
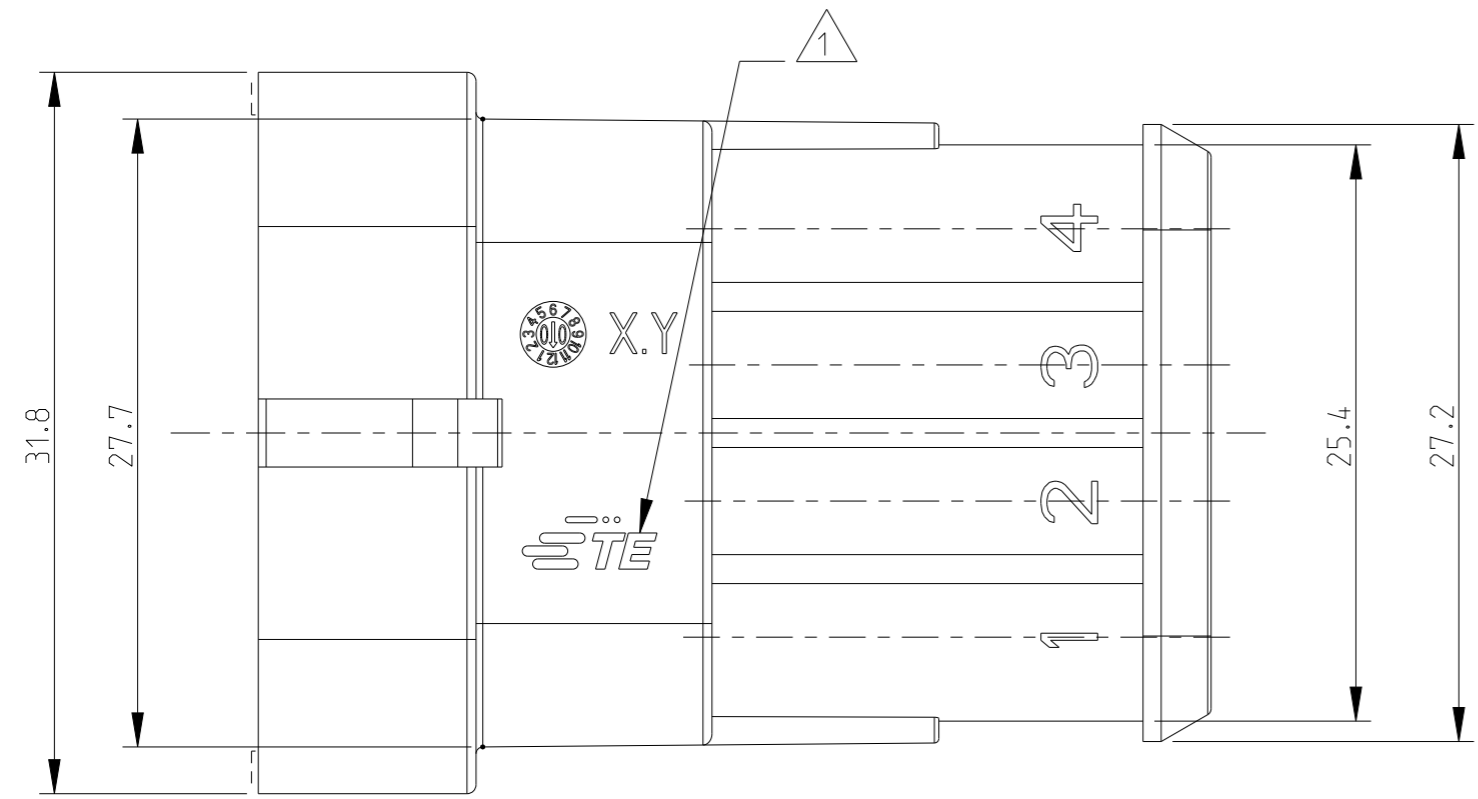
Proseguire nella pagina successiva per visualizzare la scheda tecnica dei componenti

Revisione	Prodotto
REV.00 10/04/2026	AfterMarket

THIS DRAWING IS UNPUBLISHED. RELEASED FOR PUBLICATION 20
 © COPYRIGHT 20 BY - ALL RIGHTS RESERVED.

REVISIONS

P	LTR	DESCRIPTION	DATE	DWN	APVD
B3		REVISED (ECO-17-009774)	06SEP2017	M.G.	M.G.
B4		REVISED PER ECO-20-002019	12FEB2020	AP	VN
B5		REVISED PER ECN-24-254961	06MAR2024	V.N.	V.N.



FINISH/COLOR	MATERIAL	REV	PART NUMBER
HSG+SL: WHITE	PA66-GF UL94-V2 ACC. TO IEC 60335-1	A	2475845-1
BROWN ²	PA66-GF	B	4-282106-1
GRAY	PA66-GF	B	282106-2
BLACK	PA66-GF	B	282106-1

PRE-ASSEMBLED SECONDARY LOCK (RED COLOR)

¹ TE CONNECTIVITY TRADE MARK, (IN ALTERNATIVE: "AMP" LOGO, OR "Tyco Electronics" LOGO)
² PRELIMINARY

THIS DRAWING IS A CONTROLLED DOCUMENT.		DWN 02 - 1990 C.BERTINI
DIMENSIONS: mm		CHK 02 - 1990 A.BRUNI
TOLERANCES UNLESS OTHERWISE SPECIFIED:		APVD -
0 PLC	±	PRODUCT SPEC 108-20090
1 PLC	± 0.3	APPLICATION SPEC 412-20000
2 PLC	±	WEIGHT 6.14g
3 PLC	±	CUSTOMER DRAWING
4 PLC	±	
ANGLES	± 2°	
MATERIAL	FINISH	
SEE TABLE	SEE TABLE	

STE TE Connectivity			
NAME AMP SUPERSEAL 1,5 SERIES CONNECTORS 4 POSITIONS TAB ASS'Y			
SIZE A3	CAGE CODE -	DRAWING NO C-282106	RESTRICTED TO
SCALE 3:1		SHEET 1 OF 2	REV B5

4

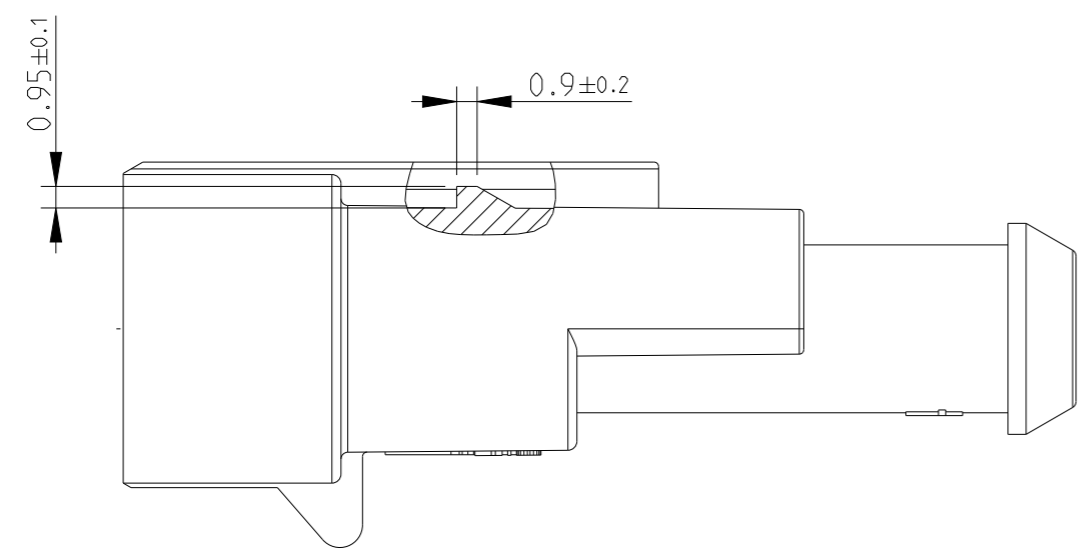
3

2

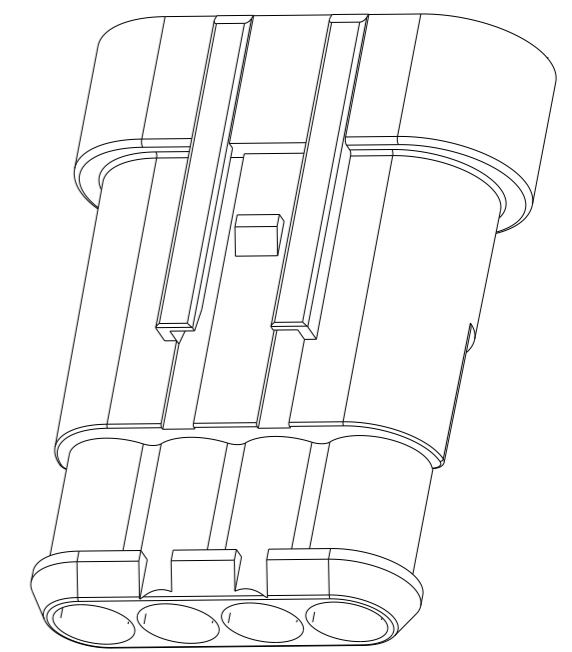
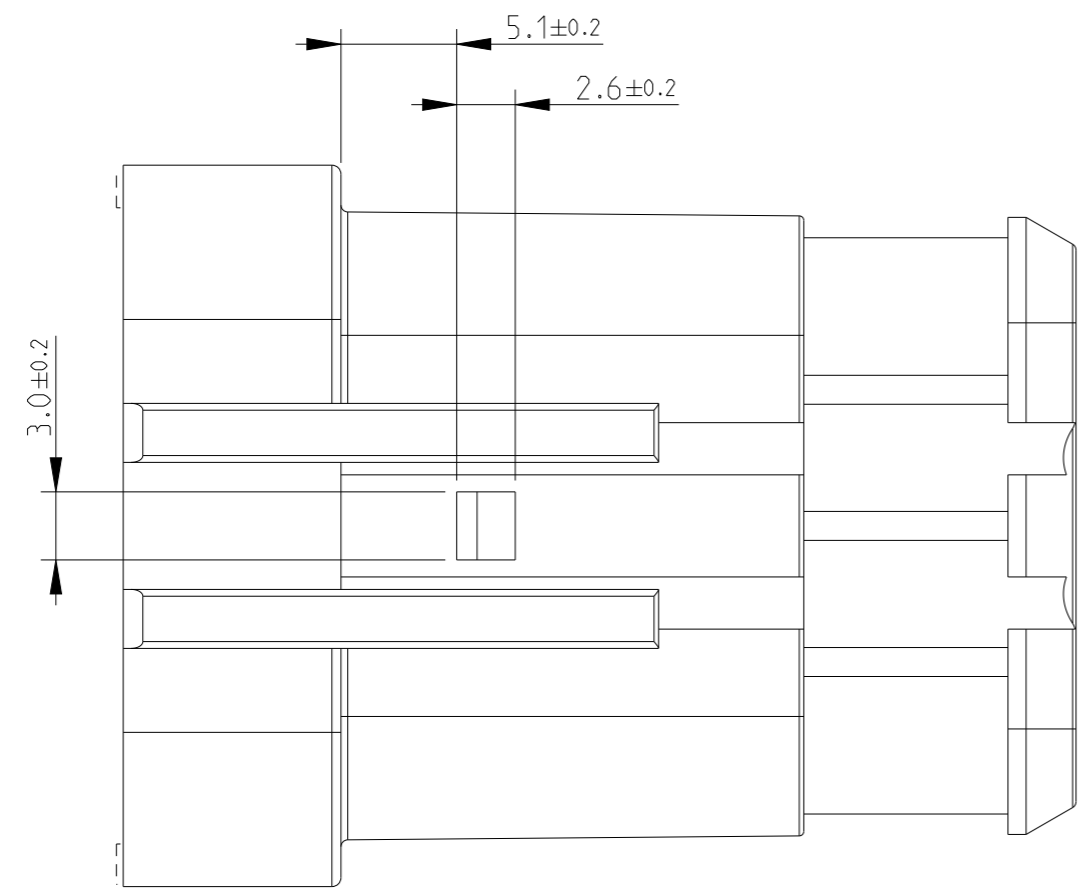
1

THIS DRAWING IS UNPUBLISHED. RELEASED FOR PUBLICATION 20
 © COPYRIGHT 20 BY - ALL RIGHTS RESERVED.

REVISIONS					
P	LTR	DESCRIPTION	DATE	DWN	APVD
-		SEE SHEET 1	-	-	-


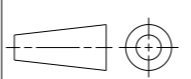


REFER SHEET 1 FOR MISSING DIMENSIONS

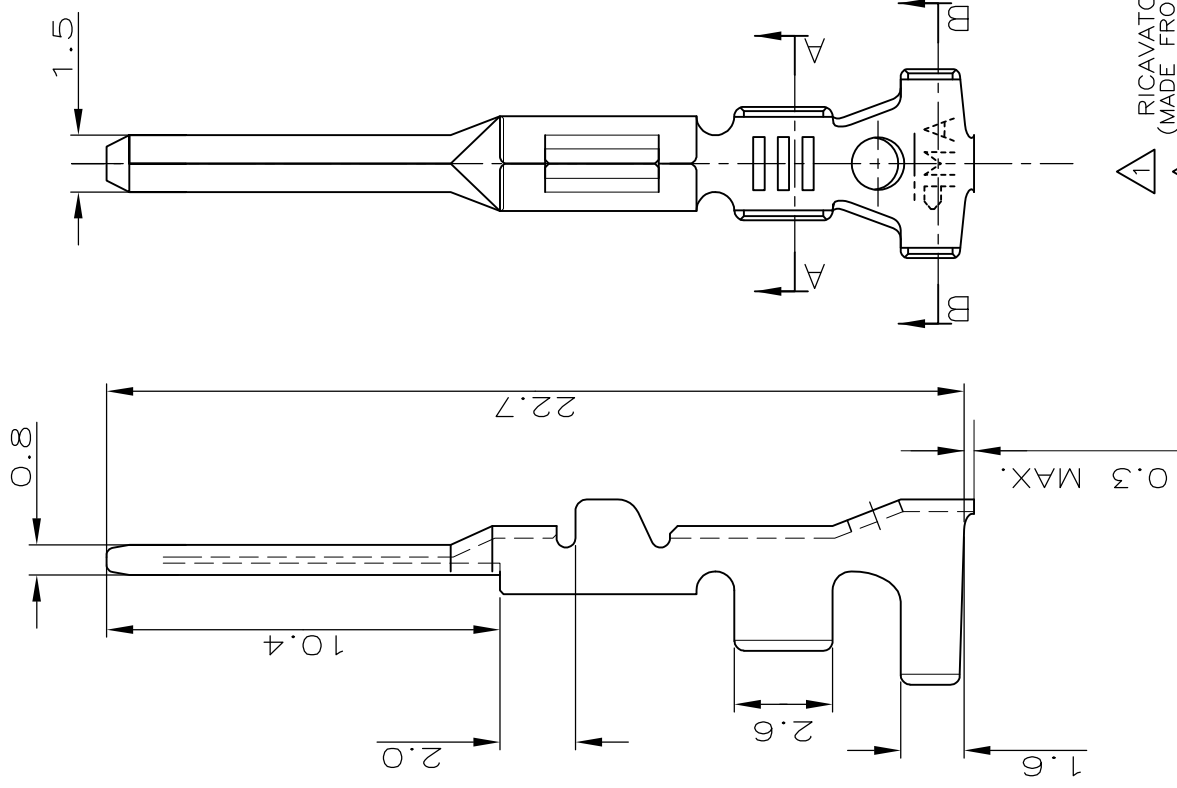


PRELIMINARY

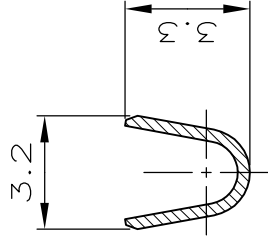
4-282106-1 AS SHOWN

THIS DRAWING IS A CONTROLLED DOCUMENT.		DWN C.BERTINI 02 - 1990	 TE Connectivity		
DIMENSIONS: mm		CHK A.BRUNI 02 - 1990			
		APVD -	NAME AMP SUPERSEAL 1,5 SERIES CONNECTORS 4 POSITIONS TAB ASS'Y		
TOLERANCES UNLESS OTHERWISE SPECIFIED:		PRODUCT SPEC 108-20090	APPLICATION SPEC		
0 PLC ±-		APPLICATION SPEC 412-20000	SIZE A3	CAGE CODE -	DRAWING NO C=282106
1 PLC ±0.3		WEIGHT 6.14g	RESTRICTED TO		
2 PLC ±-		CUSTOMER DRAWING	SCALE 3:1	SHEET 2 OF 2	REV B5
3 PLC ±-					
4 PLC ±-					
ANGLES ±2°					
FINISH -					
MATERIAL - SEE TABLE					

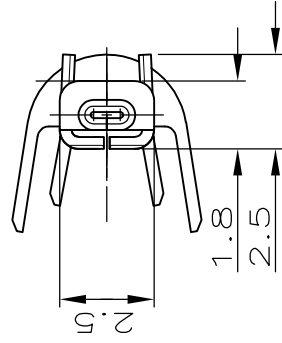
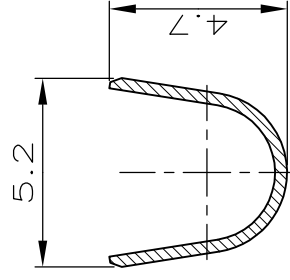
METRIC	LOC	DIST	REVISONS		
	I	—	P	LTR	DESCRIPTION
			C1	REVISED PER ECO-11-005033	DATE
				1APR11	DWN
					APVD
					RK
					HMR



PARTIAL SECTION A-A



PARTIAL SECTION B-B



1 RICAVATO DAL P/N 282109-1
(MADE FROM P/N 282109-1)

2 ADATTO PER GOMMINO PASSACAVO 281934-...
(SUITABLE FOR SINGLE WIRE SEAL 281934-...)

DIAM. ISOLANTE (INS. DIA. RANGE)	RANGO FILO (WIRE RANGE)
2	0.75-1.5mm ²

PRESTAGNATO (PRE-TIN PLTD.)	OTTONE (BRASS)
FINITURA / COLORE (FINISH / COLOUR)	MATERIALE (MATERIAL)
	NUMERO (PART NUMBER)
	1 183024-1

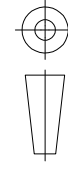
CUSTOMER DWG.
FOR REFERENCE ONLY

DWN	9 NOV.90	MATERIAL	FINISH
CHK	9 NOV.90		
APVD			

BASSANO			
A.BRUNI			
—			
PRODUCT SPEC	TE Connectivity		

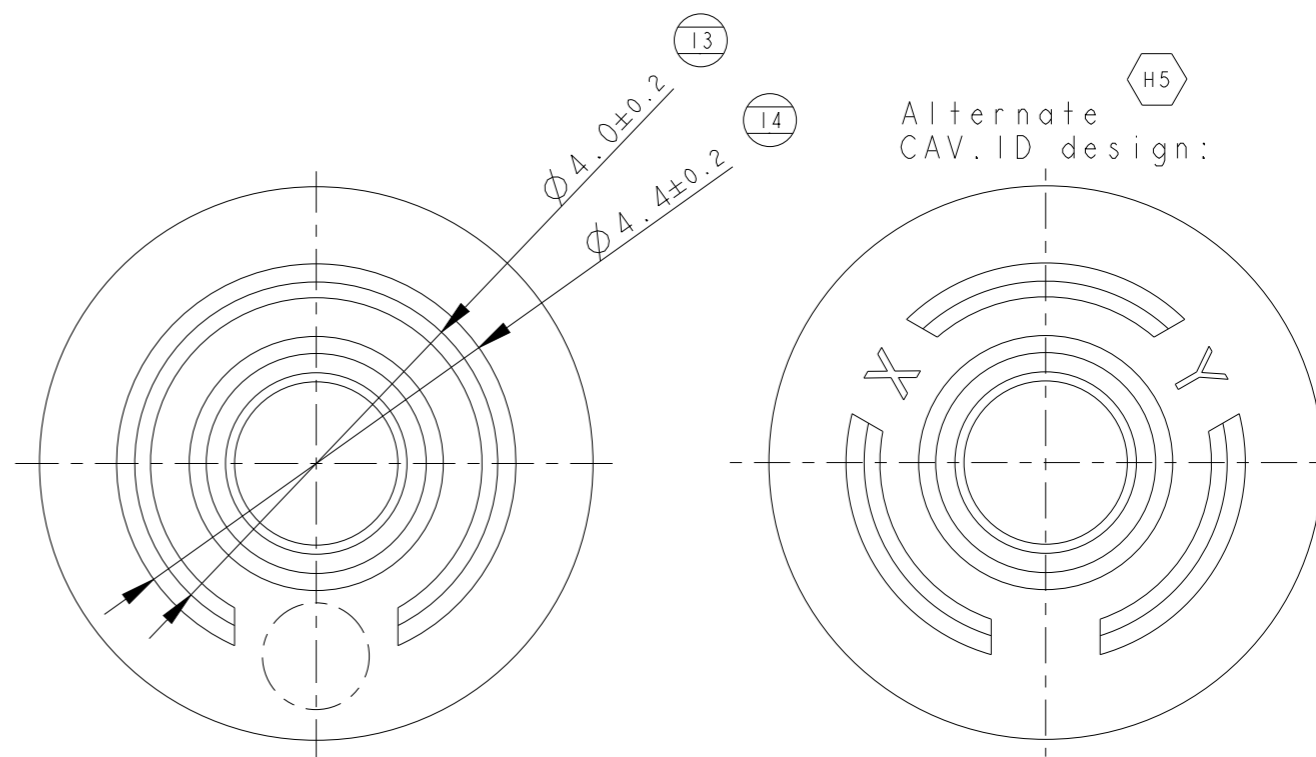
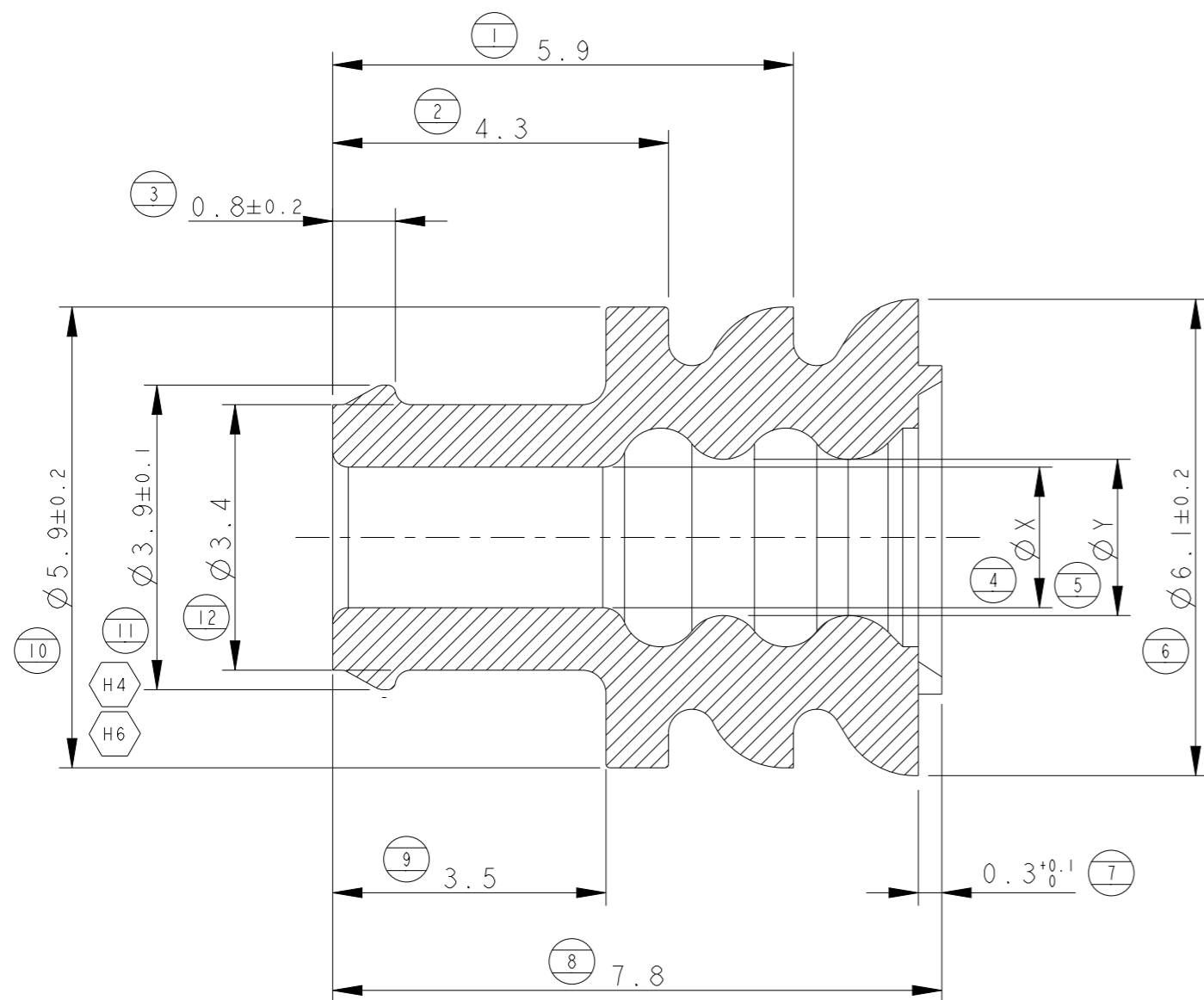
NAME			
MINI MIC SRS TAB CONTACT (LOOSE PIECE VERSION)			
SIZE	CAGE CODE	DRAWING NO	RESTRICTED TO
A4	00779	C 183024	—

WEIGHT	—
CUSTOMER DRAWING	SCALE 5:1
	SHEET 1 of 1
	REV C1



REVISIONS

P	LTR	DESCRIPTION	DATE	DWN	APVD
H3		ECR-23-169886	17APR2023	BV	GB
H4		(5- -3) added & DIM.11 Tolerance changed.	13MAY2025	BV	SZG
H5		Alternate CAV.ID design added.	11SEP2025	BV	GB
H6		Drawing error (DIM.11) was fixed	23SEP2025	BV	GB



SCALE 5:1



same as 281934-3	same as 281934-3	same as 281934-3	YELLOW	LSR	H	5-281934-3	H4
same as 281934-2	same as 281934-2	same as 281934-2	YELLOW	LSR	H	5-281934-2	H3
1.2 - 1.6	1.0±0.2	1.0±0.2	WHITE	FLUORSILICONE RUBBER (FSL)	H	281934-5	
			GREEN	SILICONE RUBBER (LSR)	H	281934-4	
2.5 - 3.3	2.0±0.2	1.8±0.2	RED	SILICONE RUBBER (LSR)	H	281934-3	
1.7 - 2.4	1.4±0.2	1.4±0.2	YELLOW	SILICONE RUBBER (LSR)	H	281934-2	
SUITABLE FOR INS. DIA	DIM. "Y"	DIM. "X"	COLOUR	MATERIAL	REV.	P/N	



THIS DRAWING IS A CONTROLLED DOCUMENT.

DWN C. BERTINI 12-'88

CHK A. BRUNI 05-'92

APVD -

NAME SINGLE WIRE SEAL



DIMENSIONS: mm

TOLERANCES UNLESS OTHERWISE SPECIFIED:



0 PLC ±0.3
 1 PLC ±0.3
 2 PLC ±
 3 PLC ±
 4 PLC ±
 ANGLES ±2°

MATERIAL

FINISH

SEE TABLE

PRODUCT SPEC -

APPLICATION SPEC -

WEIGHT -

SIZE A3 CAGE CODE - DRAWING NO C-281934 RESTRICTED TO -

Customer Drawing SCALE 7:1 SHEET 1 OF 1 REV H6