

# M 282106-K



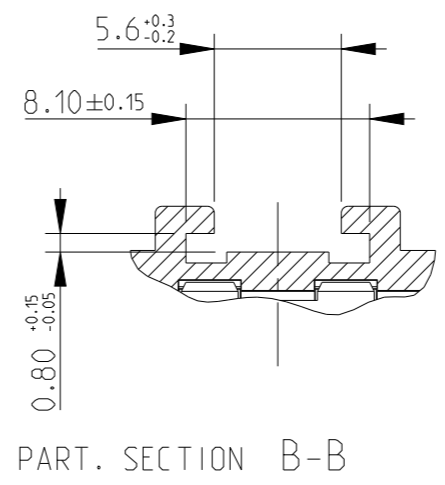
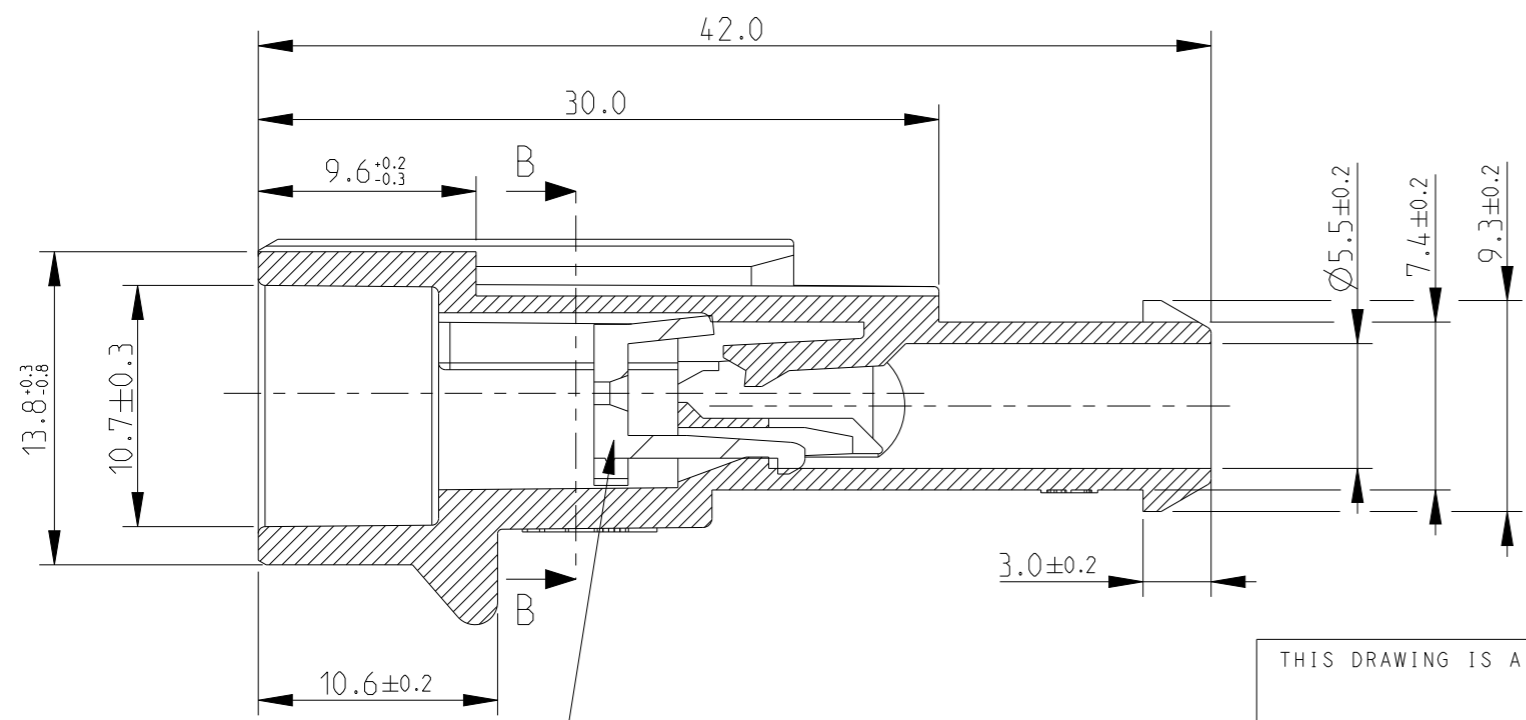
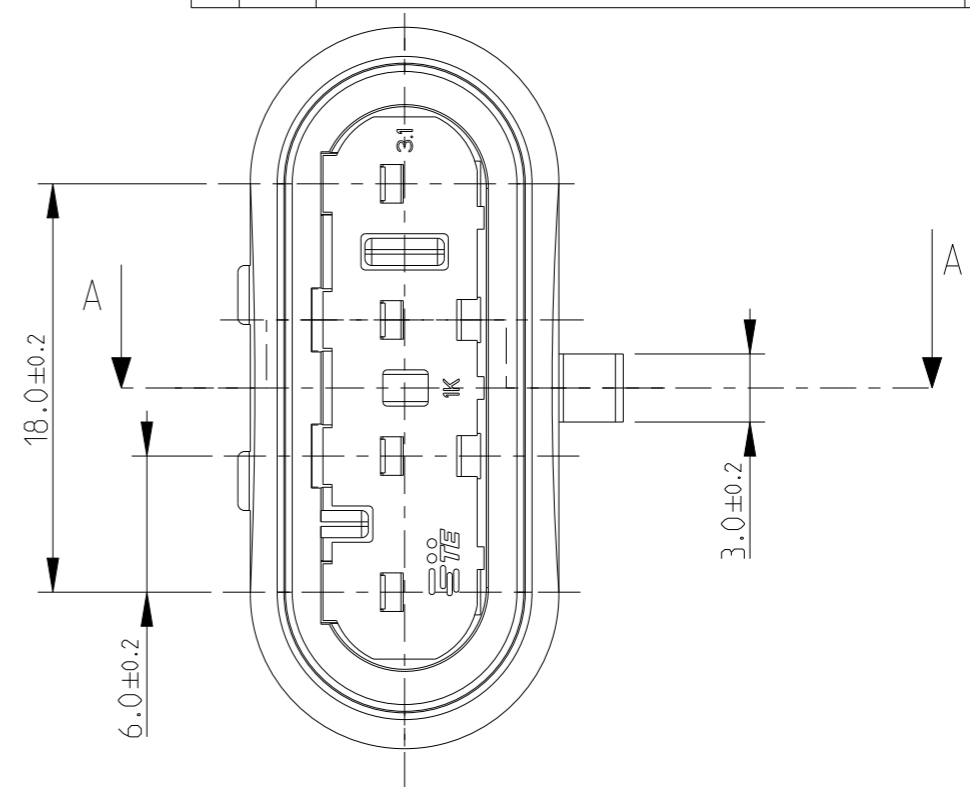
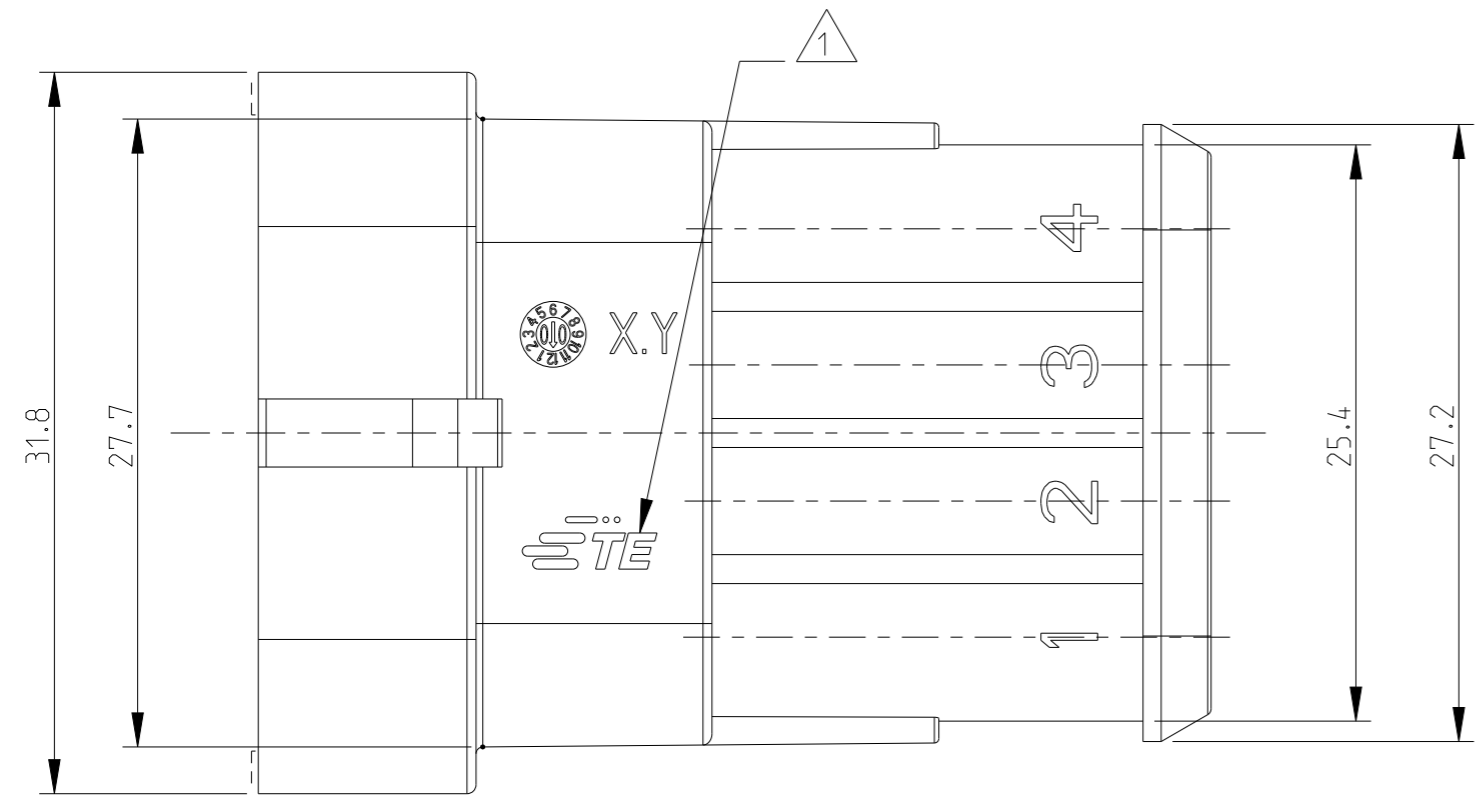
**MINIKIT**

*Proseguire nella pagina successiva per visualizzare la scheda tecnica dei componenti*

Revisione	Prodotto
REV.00 24/04/2026	AfterMarket

THIS DRAWING IS UNPUBLISHED. RELEASED FOR PUBLICATION 20  
 © COPYRIGHT 20 BY - ALL RIGHTS RESERVED.

REVISIONS					
P	LTR	DESCRIPTION	DATE	DWN	APVD
	B3	REVISED (ECO-17-009774)	06SEP2017	M.G.	M.G.
	B4	REVISED PER ECO-20-002019	12FEB2020	AP	VN
	B5	REVISED PER ECN-24-254961	06MAR2024	V.N.	V.N.



FINISH/COLOR	MATERIAL	REV	PART NUMBER
HSG+SL: WHITE	PA66-GF UL94-V2 ACC. TO IEC 60335-1	A	2475845-1
BROWN <sup>2</sup>	PA66-GF	B	4-282106-1
GRAY	PA66-GF	B	282106-2
BLACK	PA66-GF	B	282106-1

PRE-ASSEMBLED SECONDARY LOCK (RED COLOR)

<sup>1</sup> TE CONNECTIVITY TRADE MARK, (IN ALTERNATIVE: "AMP" LOGO, OR "Tyco Electronics" LOGO)  
<sup>2</sup> PRELIMINARY

THIS DRAWING IS A CONTROLLED DOCUMENT.		DWN 02 - 1990	TE Connectivity	
		C.BERTINI		
DIMENSIONS: mm		CHK 02 - 1990	NAME AMP SUPERSEAL 1,5 SERIES CONNECTORS 4 POSITIONS TAB ASS'Y	
TOLERANCES UNLESS OTHERWISE SPECIFIED:		A.BRUNI		
0 PLC ± 1 PLC ±0.3 2 PLC ± 3 PLC ± 4 PLC ± ANGLES ±2°		APVD -	SIZE A3 CAGE CODE - DRAWING NO C-282106 RESTRICTED TO	
MATERIAL -		PRODUCT SPEC 108-20090		
SEE TABLE		APPLICATION SPEC 412-20000	SCALE 3:1 SHEET 1 OF 2 REV B5	
SEE TABLE		WEIGHT 6.14g		
CUSTOMER DRAWING				

4

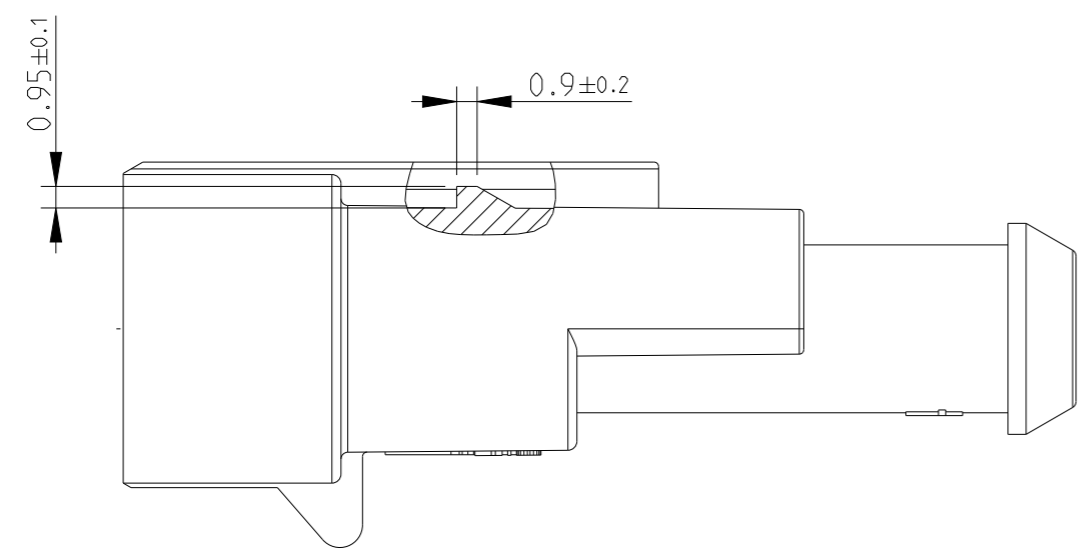
3

2

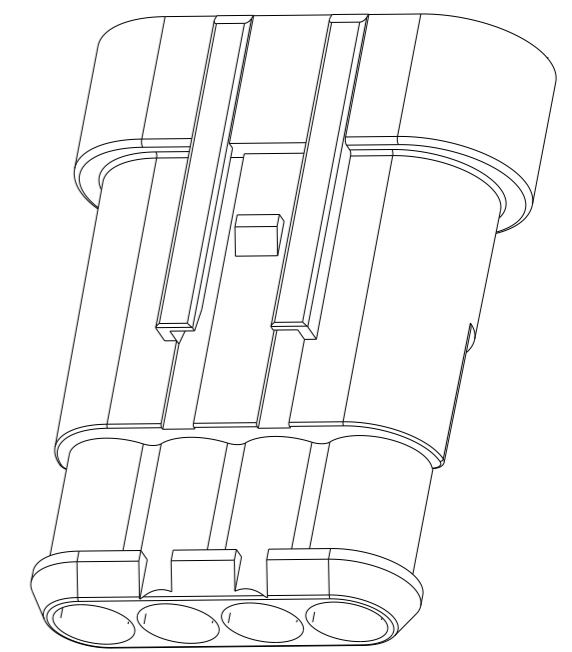
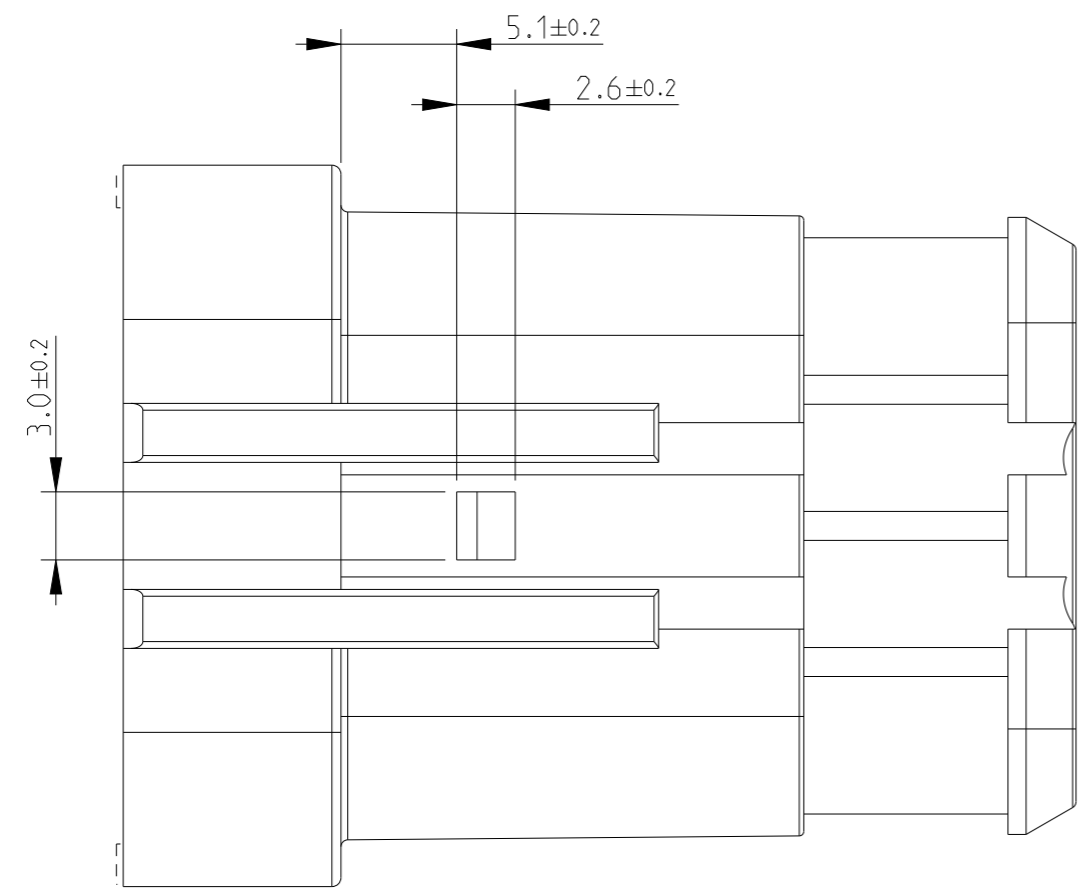
1

THIS DRAWING IS UNPUBLISHED. RELEASED FOR PUBLICATION 20  
 © COPYRIGHT 20 BY - ALL RIGHTS RESERVED.

REVISIONS					
P	LTR	DESCRIPTION	DATE	DWN	APVD
-		SEE SHEET 1	-	-	-


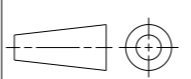


REFER SHEET 1 FOR MISSING DIMENSIONS

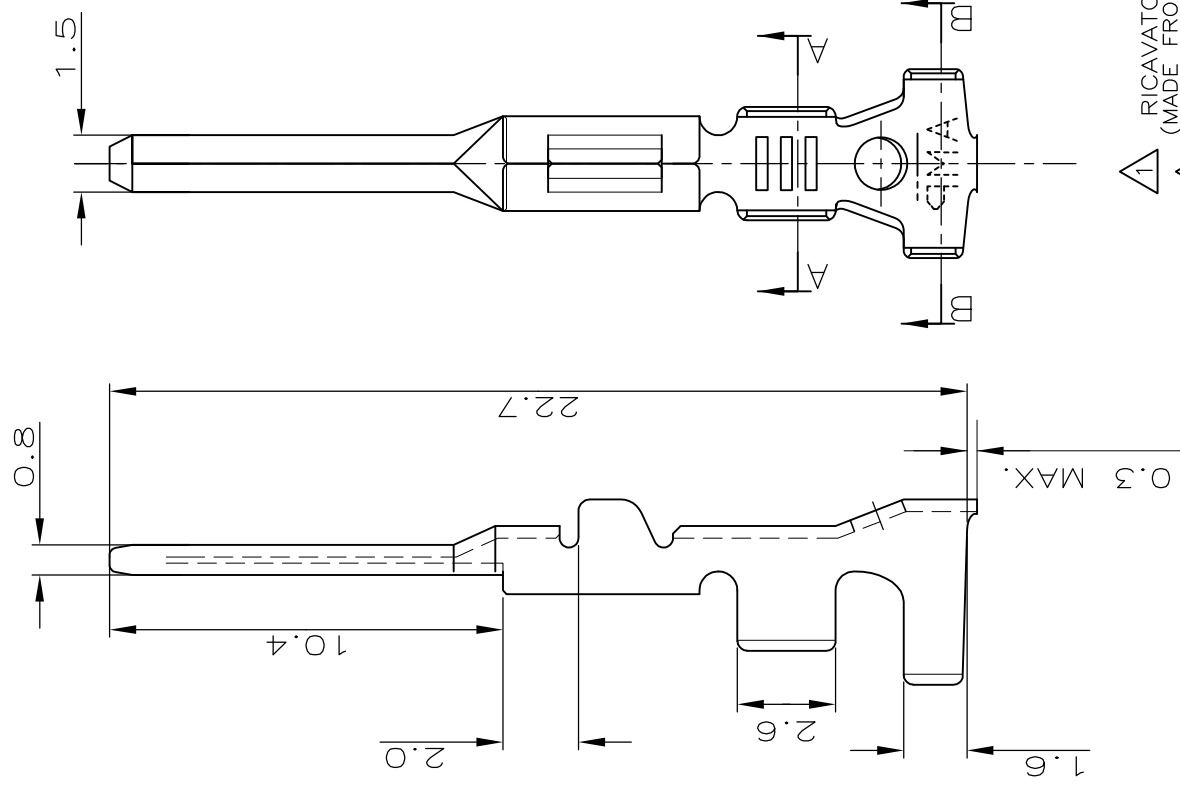


**PRELIMINARY**

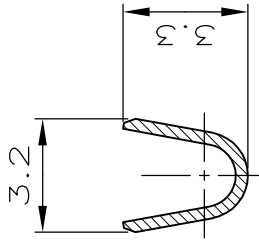
4-282106-1 AS SHOWN

THIS DRAWING IS A CONTROLLED DOCUMENT.		DWN C.BERTINI 02 - 1990	 TE Connectivity		
DIMENSIONS: mm		CHK A.BRUNI 02 - 1990			
		APVD -	NAME AMP SUPERSEAL 1,5 SERIES CONNECTORS 4 POSITIONS TAB ASS'Y		
TOLERANCES UNLESS OTHERWISE SPECIFIED:		PRODUCT SPEC 108-20090	APPLICATION SPEC		
0 PLC ±-	± 0.3	APPLICATION SPEC 412-20000	SIZE A3	CAGE CODE -	DRAWING NO C=282106
1 PLC ±-		WEIGHT 6.14g	RESTRICTED TO		
2 PLC ±-		CUSTOMER DRAWING	SCALE 3:1	SHEET 2 OF 2	REV B5
3 PLC ±-					
4 PLC ±-					
ANGLES ± 2°					
MATERIAL - SEE TABLE	FINISH - SEE TABLE				

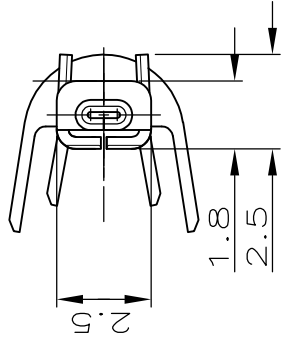
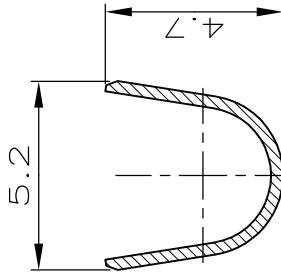
<b>METRIC</b>	LOC	DIST	REVISONS		
	I	—	P	LTR	DESCRIPTION
			C1	REVISED PER ECO-11-005033	DATE
				1APR11	DWN
				RK	APVD
				HMR	



PARTIAL SECTION A-A



PARTIAL SECTION B-B



△1 RICAVATO DAL P/N 282109-1  
(MADE FROM P/N 282109-1)  
△2 ADATTO PER GOMMINO PASSACAVO 281934-...  
(SUITABLE FOR SINGLE WIRE SEAL 281934-...)

DIAM. ISOLANTE (INS. DIA. RANGE)	△2
RANGO FILO (WIRE RANGE)	0.75-1.5mm <sup>2</sup>

PRESTAGNATO (PRE-TIN PLTD.)	OTTONNE (BRASS)
FINITURA / COLORE (FINISH / COLOUR)	MATERIALE (MATERIAL)
	NUMERO (PART NUMBER)
	△1 183024-1

CUSTOMER DWG.  
FOR REFERENCE ONLY

MATERIAL	FINISH
9 NOV.90	—

DWN	BASSANO
CHK	A.BRUNI
APVD	—

DIMENSIONS:	mm
TOLERANCES UNLESS OTHERWISE SPECIFIED:	
0 PLC	± —
1 PLC	± 0.3
2 PLC	± —
3 PLC	± —
4 PLC	± —
ANGLES	± 2°

NAME	MINI MIC SRS TAB CONTACT (LOOSE PIECE VERSION)
CAGE CODE	DRAWING NO
A4 00779	C= 183024

PRODUCT SPEC	—
APPLICATION SPEC	—
WEIGHT	—



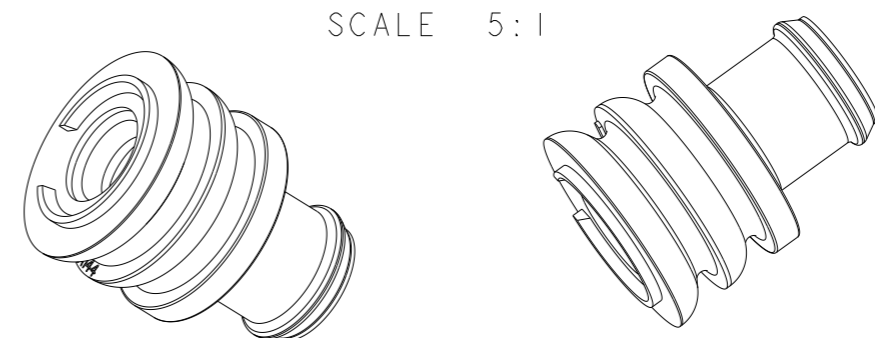
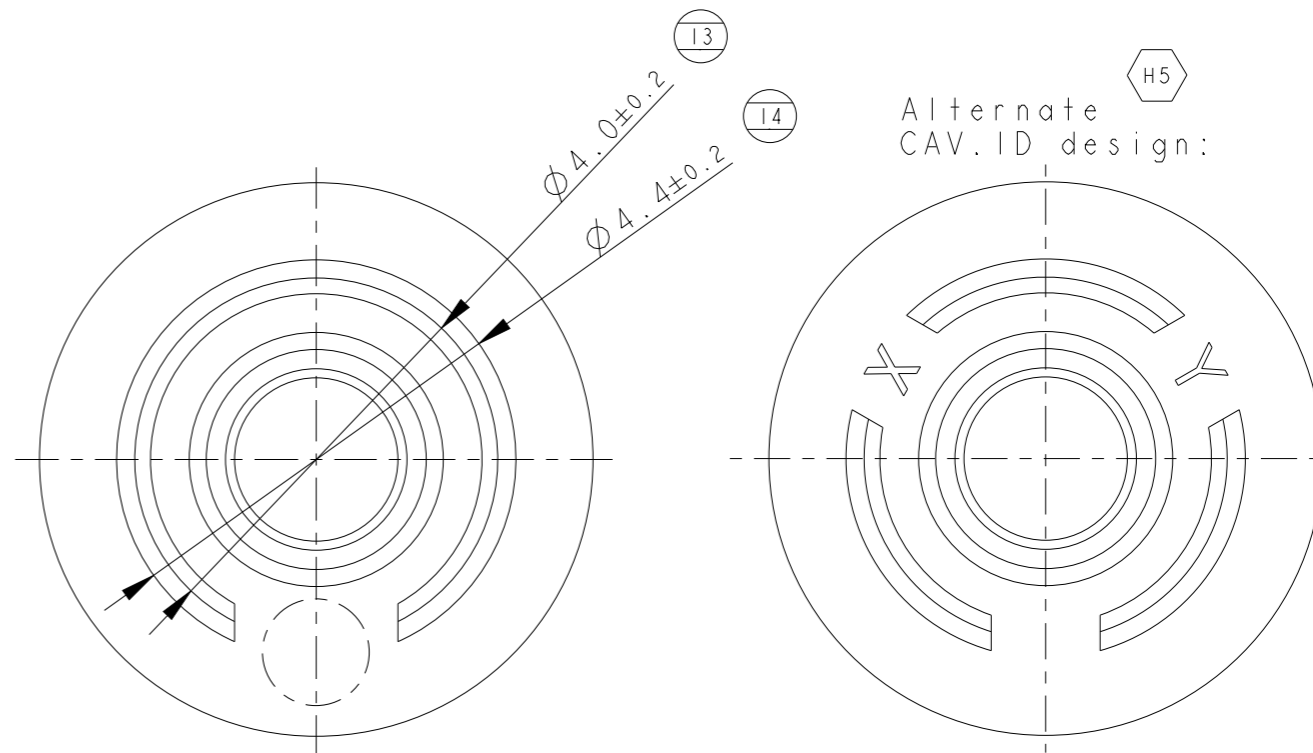
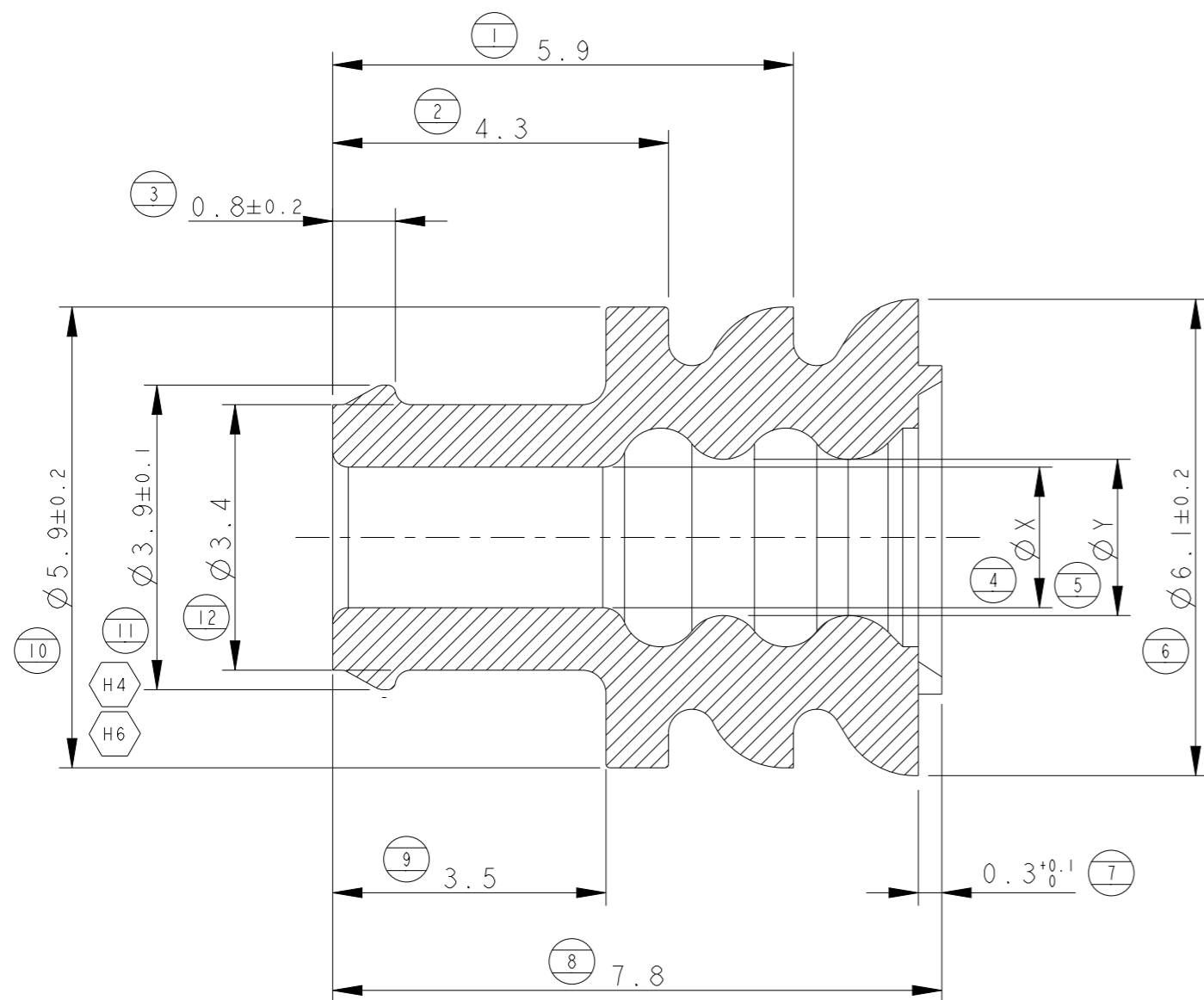
TE Connectivity

RESTRICTED TO	—
SCALE	5:1
SHEET	1 of 1
REV	C1

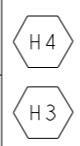
CUSTOMER DRAWING

REVISIONS

P	LTR	DESCRIPTION	DATE	DWN	APVD
H3		ECR-23-169886	17APR2023	BV	GB
H4		(5- -3) added & DIM.11 Tolerance changed.	13MAY2025	BV	SZG
H5		Alternate CAV.ID design added.	11SEP2025	BV	GB
H6		Drawing error (DIM.11) was fixed	23SEP2025	BV	GB



same as 281934-3	same as 281934-3	same as 281934-3	YELLOW	LSR	H	5-281934-3	H4
same as 281934-2	same as 281934-2	same as 281934-2	YELLOW	LSR	H	5-281934-2	H3
1.2 - 1.6	1.0±0.2	1.0±0.2	WHITE	FLUORSILICONE RUBBER (FSL)	H	281934-5	
			GREEN	SILICONE RUBBER (LSR)	H	281934-4	
2.5 - 3.3	2.0±0.2	1.8±0.2	RED	SILICONE RUBBER (LSR)	H	281934-3	
1.7 - 2.4	1.4±0.2	1.4±0.2	YELLOW	SILICONE RUBBER (LSR)	H	281934-2	
SUITABLE FOR INS. DIA	DIM. "Y"	DIM. "X"	COLOUR	MATERIAL	REV.	P/N	



THIS DRAWING IS A CONTROLLED DOCUMENT.	
DIMENSIONS: mm	TOLERANCES UNLESS OTHERWISE SPECIFIED:
	0 PLC ±0.3
	1 PLC ±0.3
	2 PLC ±-
	3 PLC ±-
MATERIAL	4 PLC ±-
SEE TABLE	ANGLES ±2°
	FINISH -
	-

DWN	C. BERTINI	12-'88
CHK	A. BRUNI	05-'92
APVD	-	-
PRODUCT SPEC	-	-
APPLICATION SPEC	-	-
WEIGHT	-	-
Customer Drawing		

		TE Connectivity	
		NAME SINGLE WIRE SEAL	
SIZE	A3	CAGE CODE	-
DRAWING NO	C-281934	RESTRICTED TO	-
SCALE	7:1	SHEET	1 OF 1
REV	H6		