

M 282107-1

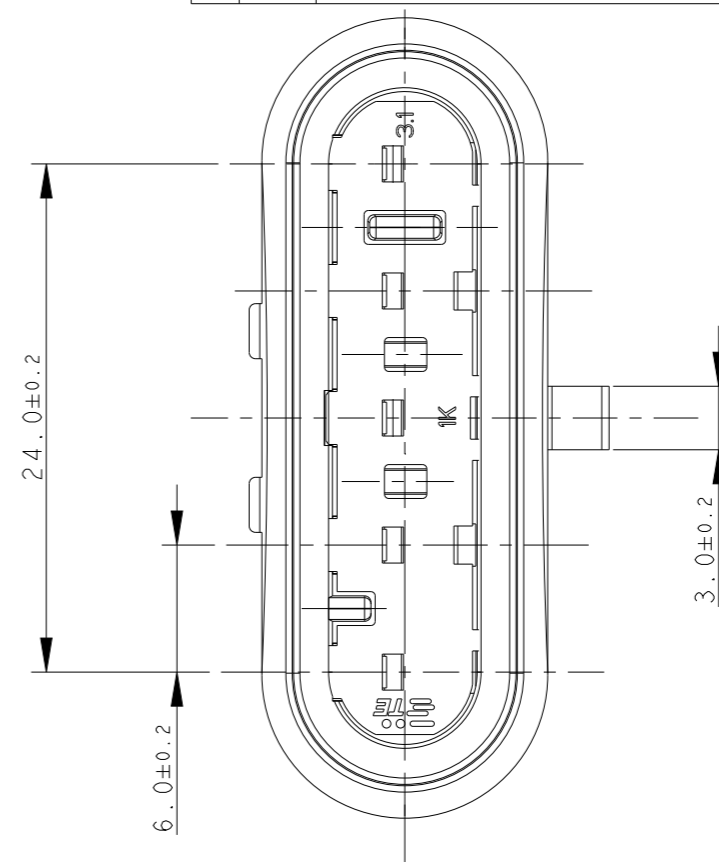
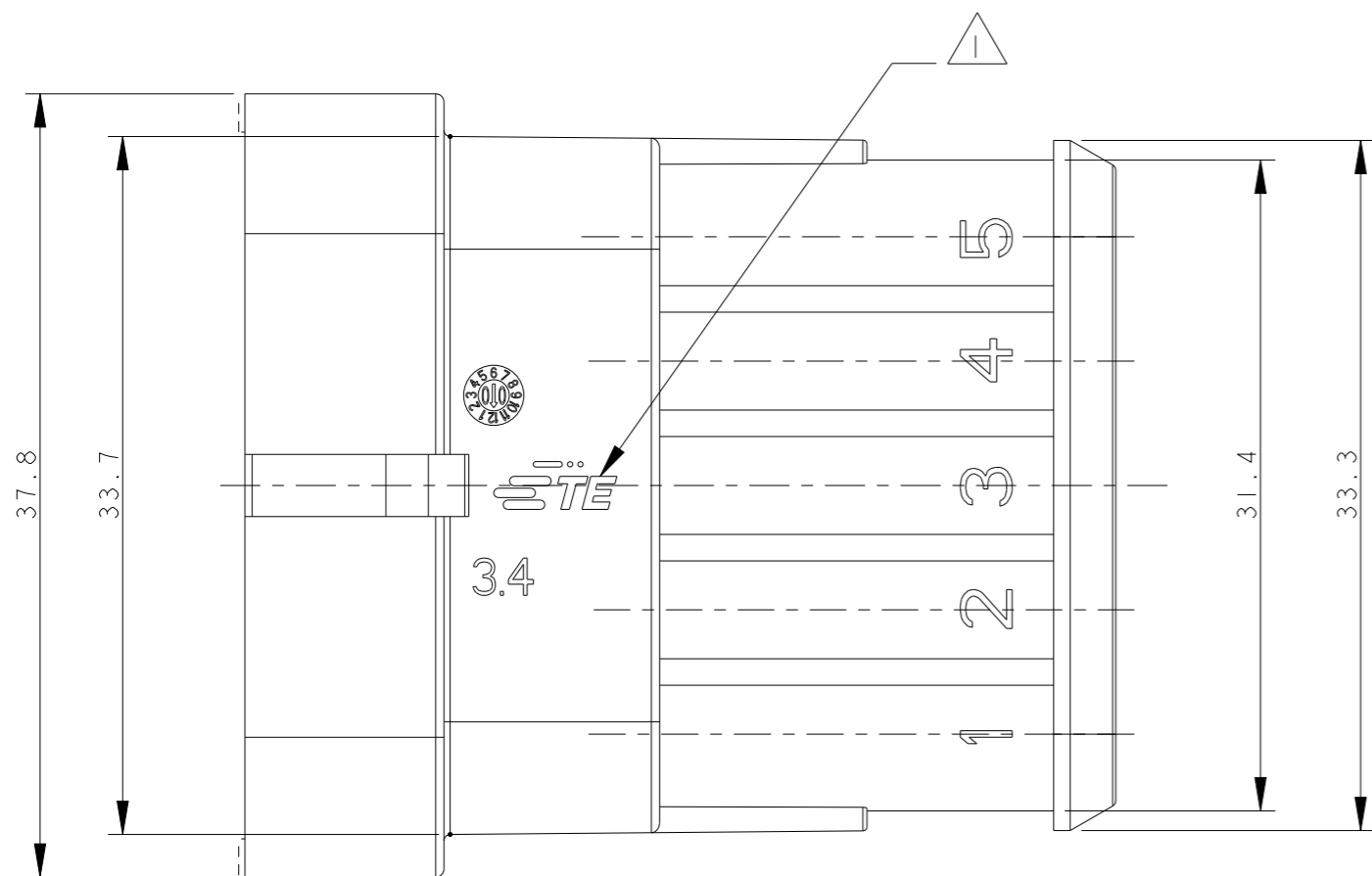


Proseguire nella pagina successiva per visualizzare la scheda tecnica dei componenti

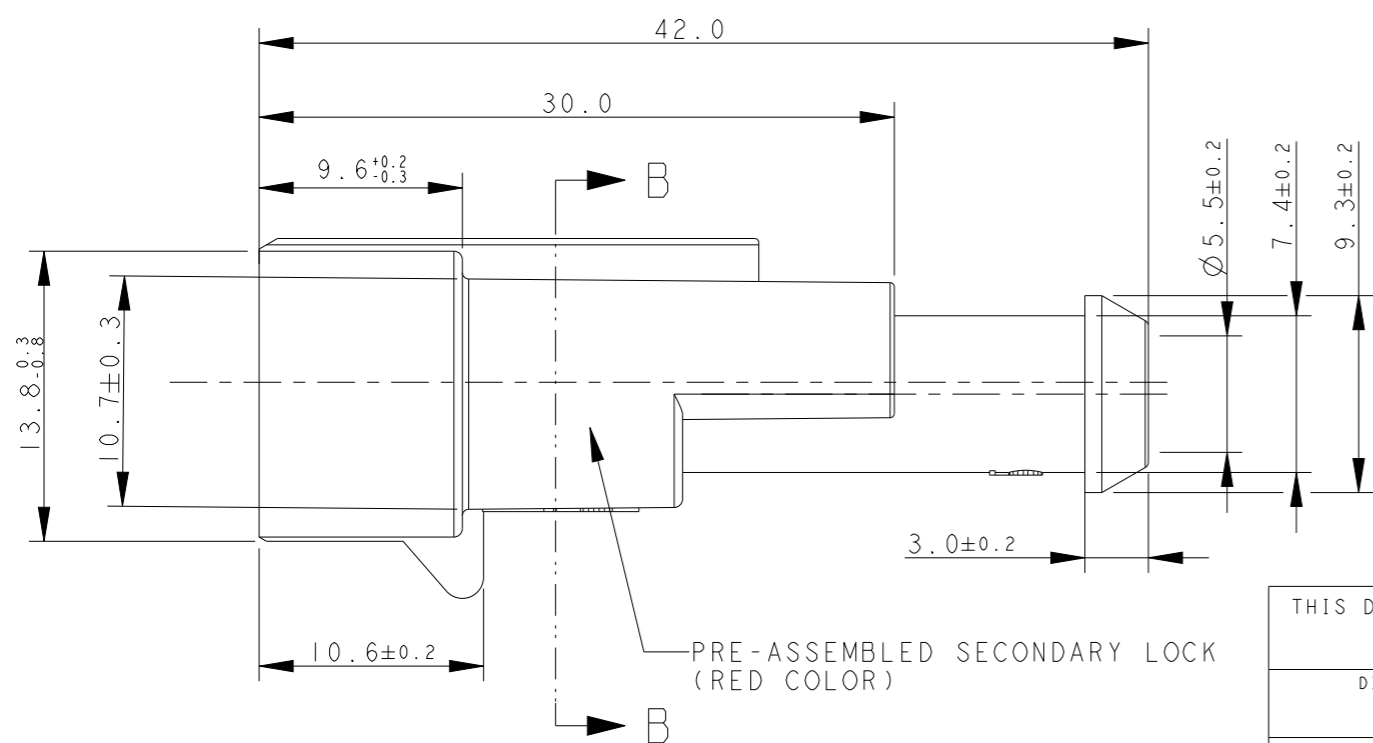
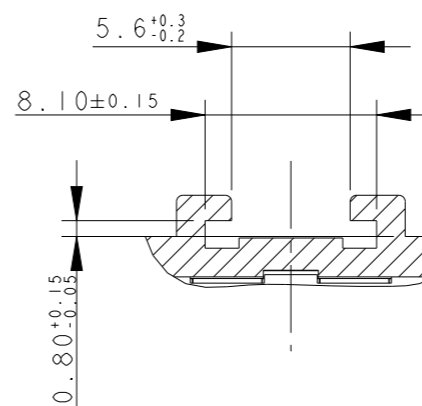
Revisione	Prodotto
REV.01 16/04/2026	AfterMarket

REVISIONS

P	LTR	DESCRIPTION	DATE	DWN	APVD
B1		REVISED PER ECO-17-009774	06SEP2017	M.G.	M.G.
B2		REVISED PER ECO-20-002019	12FEB2020	AP	VN
B3		REVISED PER ECN-21-125377	08NOV2021	VN	VN



PART SECTION B - B

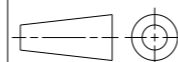


FINISH/COLOR	MATERIAL	REV	PART NUMBER
BROWN	PA66-GF	B	4-282107-1
GRAY	PA66-GF	B	282107-2
BLACK	PA66-GF	B	282107-1


 TE CONNECTIVITY TRADE MARK,
 (IN ALTERNATIVE: "AMP" LOGO, OR "Tyco Electronics" LOGO)

THIS DRAWING IS A CONTROLLED DOCUMENT.

DIMENSIONS:
mm



MATERIAL
SEE TABLE

TOLERANCES UNLESS OTHERWISE SPECIFIED:

0 PLC ±
 1 PLC ± 0.3
 2 PLC ±
 3 PLC ±
 4 PLC ±
 ANGLES ± 2°

FINISH
SEE TABLE

DWN C. BERTINI 02-1990

CHK A. BRUNI 02-1990

APVD -

PRODUCT SPEC

108-20090

APPLICATION SPEC

412-20000

WEIGHT 7.72g

CUSTOMER DRAWING

NAME
AMP SUPERSEAL 1.5 SRS.
5 POSITIONS TAB ASS'Y

SIZE CAGE CODE DRAWING NO RESTRICTED TO

A300779 C-282107

SCALE 14:5 SHEET 1 OF 2 REV B3

