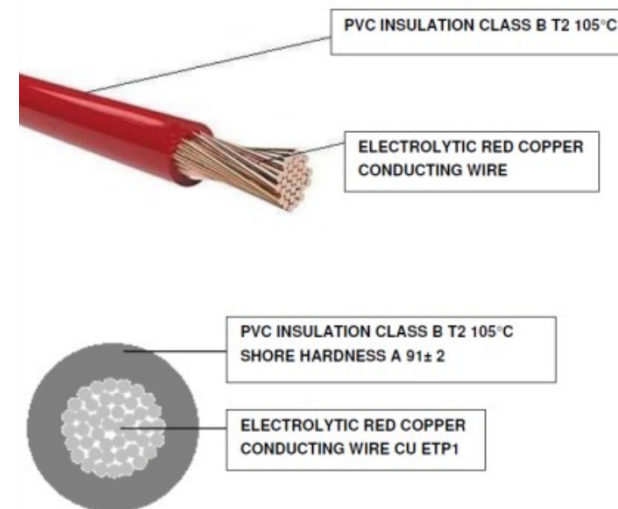


# M 282107-C



Caratteristiche CAVO	
<b>Temperatura d'uso</b>	-40 °C / +105 °C (IDLE STATE)
<b>Sezione</b>	1.00 mmq
<b>Colore</b>	Nero
<b>Documenti di riferimento</b>	ISO 19642 : 2019 / DIN 72551 ISO 6722 CLASS B / LV 112 / ISO 3795 FIAT 91107 / 18 (where applicable) ROHS II/III UN R118
<b>Lunghezza</b>	20 cm
<b>Tipologia</b>	F3T2



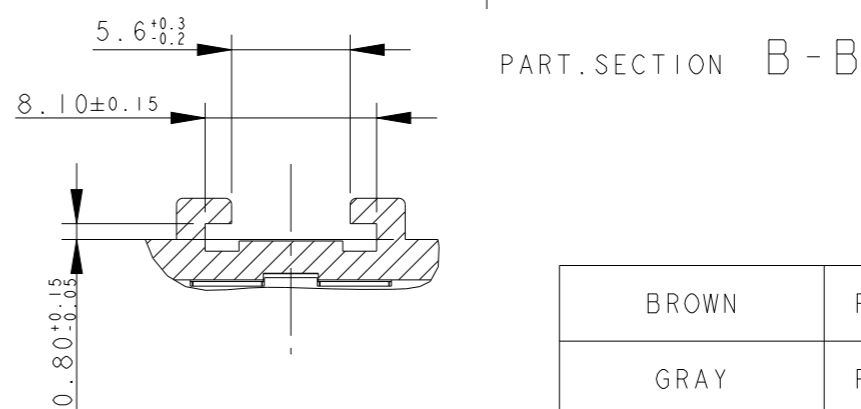
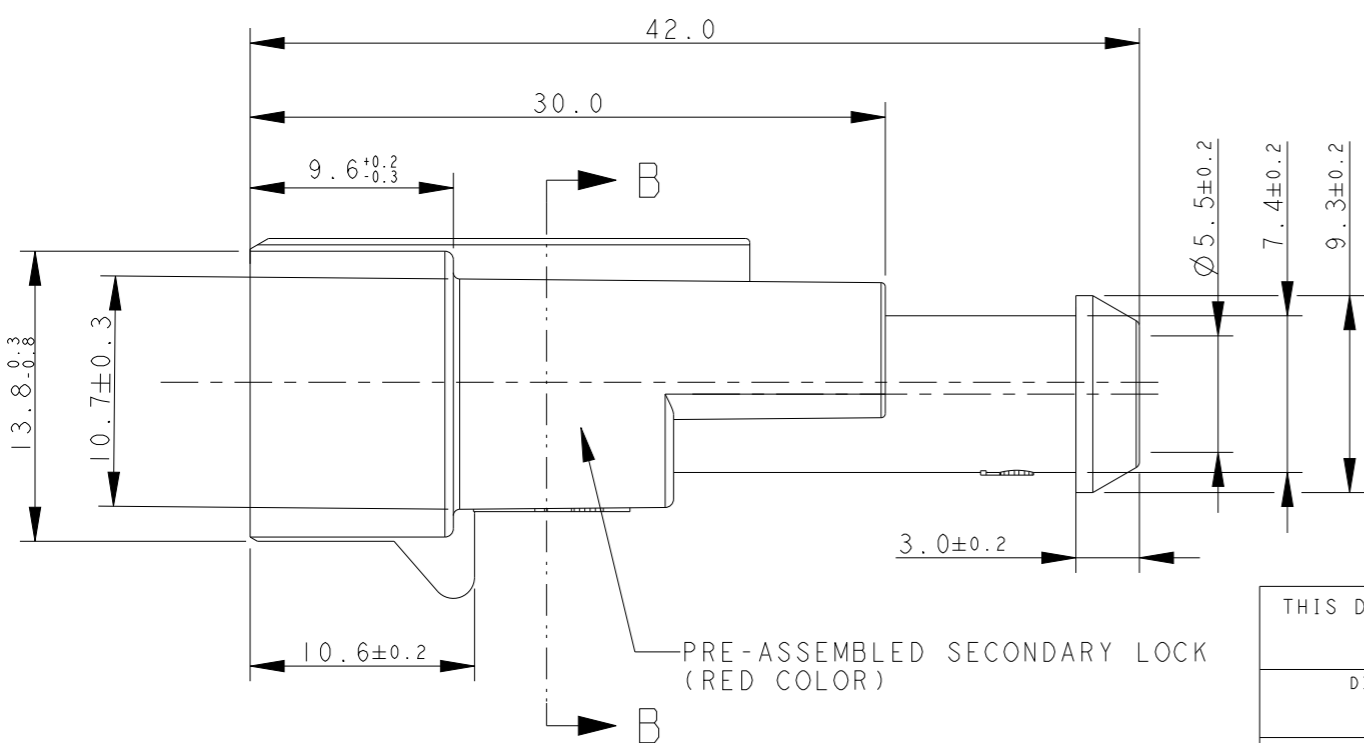
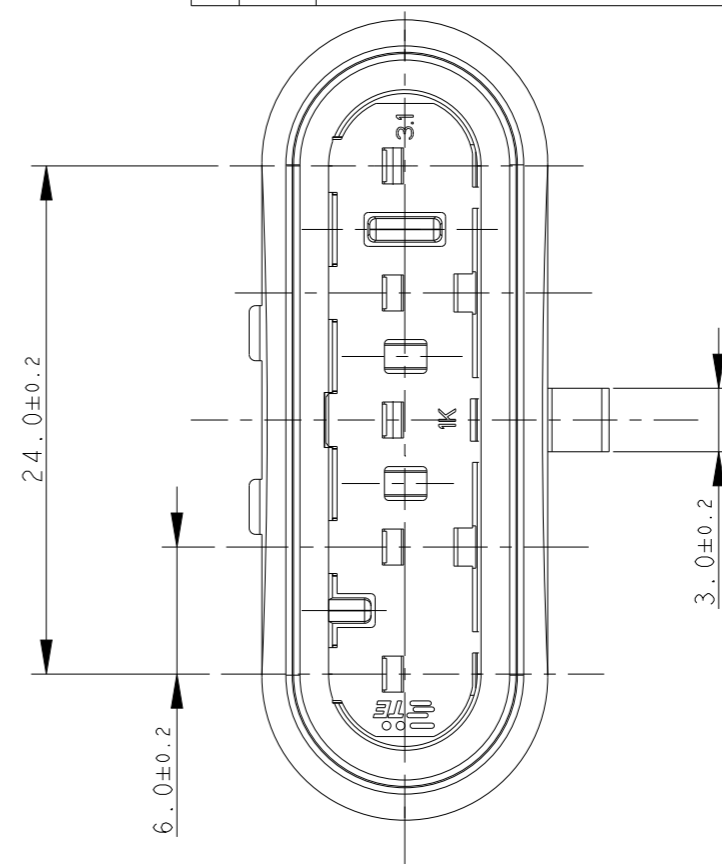
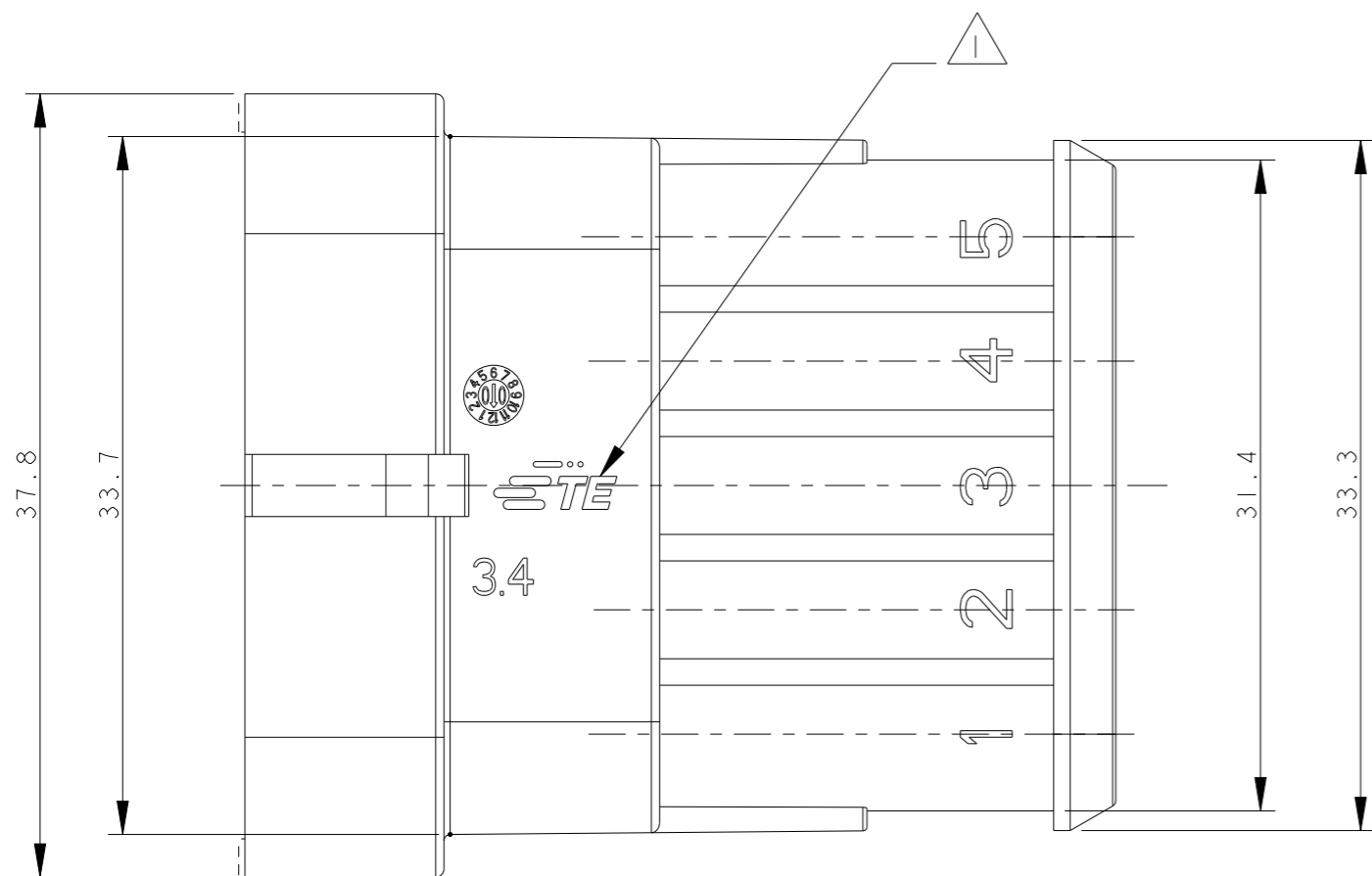
CROSS SECTION	COND. CONSTR.	EXT. DIAMETER.	INSUL. MATERIAL	EL. RES. MAX 20°	MAX VOLT.	INSULATION THICKNESS (+)
1 x 1,00	32 x 0,20 ± 0,01 mm	2,10 +0 mm -0,2 mm	PVC T2 HT 105 °C	18,5 OHM/KM	< 300 V	≥ 0,24

Proseguire nella pagina successiva per visualizzare la scheda tecnica dei componenti

Revisione	Prodotto
REV.00 10/04/2026	AfterMarket

REVISIONS

P	LTR	DESCRIPTION	DATE	DWN	APVD
B1		REVISED PER ECO-17-009774	06SEP2017	M.G.	M.G.
B2		REVISED PER ECO-20-002019	12FEB2020	AP	VN
B3		REVISED PER ECN-21-125377	08NOV2021	VN	VN

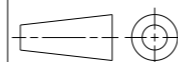


FINISH/COLOR	MATERIAL	REV	PART NUMBER
BROWN	PA66-GF	B	4-282107-1
GRAY	PA66-GF	B	282107-2
BLACK	PA66-GF	B	282107-1

△ TE CONNECTIVITY TRADE MARK,  
(IN ALTERNATIVE: "AMP" LOGO, OR "Tyco Electronics" LOGO)

THIS DRAWING IS A CONTROLLED DOCUMENT.

DIMENSIONS:  
mm



MATERIAL  
SEE TABLE

TOLERANCES UNLESS OTHERWISE SPECIFIED:

0 PLC	±	0.3
1 PLC	±	0.3
2 PLC	±	0.3
3 PLC	±	0.3
4 PLC	±	0.3
ANGLES	±	2°

FINISH  
SEE TABLE

DWN 02-1990

C. BERTINI

CHK 02-1990

A. BRUNI

APVD -

PRODUCT SPEC

108-20090

APPLICATION SPEC

412-20000

WEIGHT

7.72g

NAME  
AMP SUPERSEAL 1.5 SRS.  
5 POSITIONS TAB ASS'Y

SIZE CAGE CODE DRAWING NO RESTRICTED TO

A300779 C-282107

CUSTOMER DRAWING

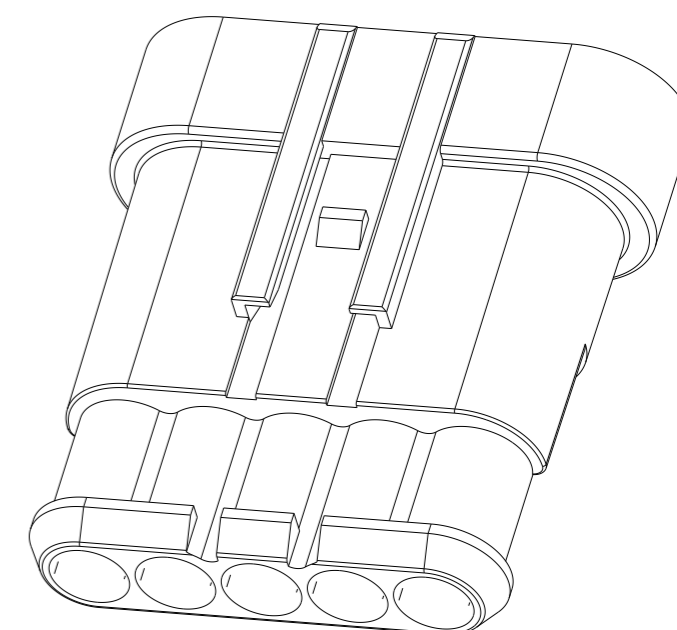
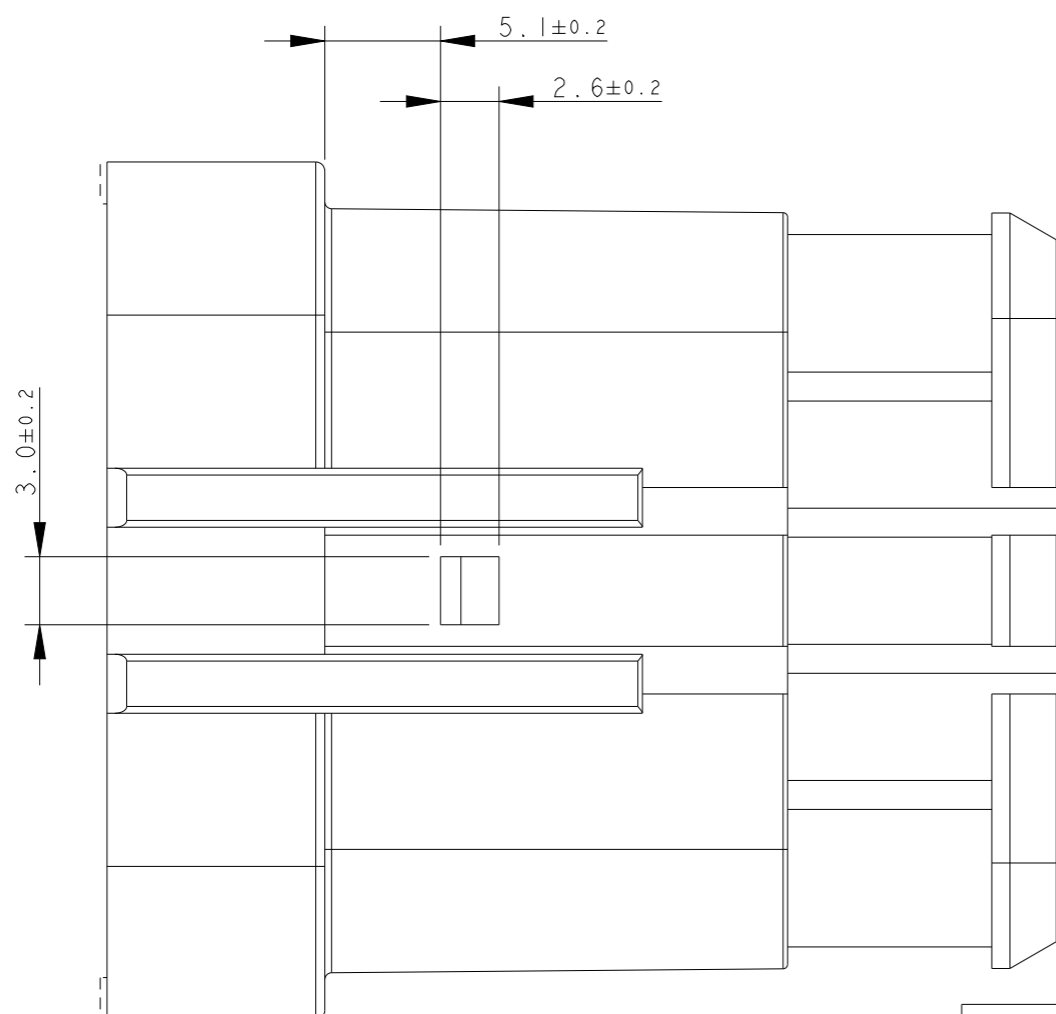
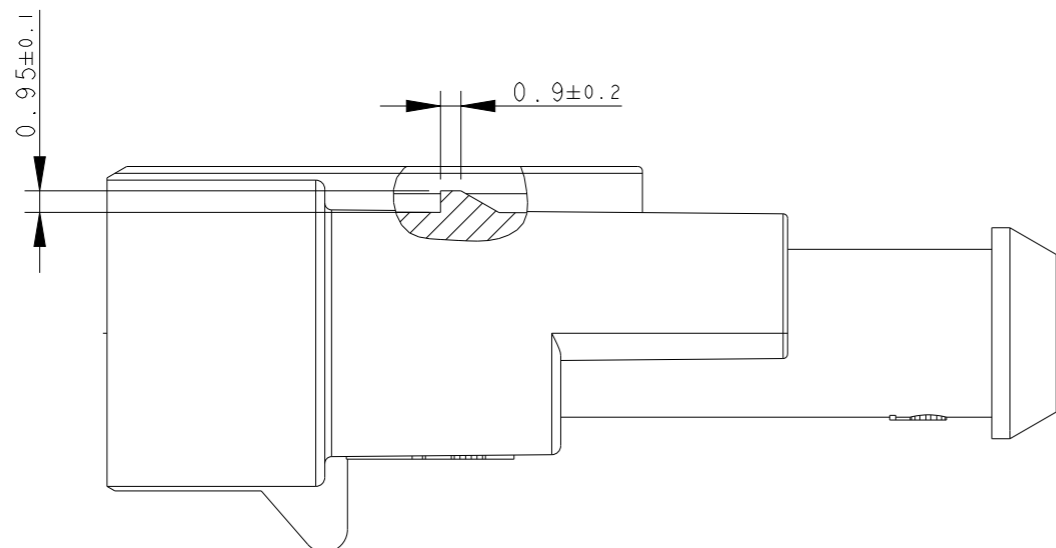
SCALE 14:5 SHEET 1 OF 2 REV B3



REVISIONS

P	LTR	DESCRIPTION	DATE	DWN	APVD
-	-	SEE SHEET 1	-	-	-

REFER SHEET 1 FOR MISSING DIMENSIONS



4-282107-1 AS SHOWN

THIS DRAWING IS A CONTROLLED DOCUMENT.

DWN C. BERTINI 02-1990

CHK A. BRUNI 02-1990

APVD -

PRODUCT SPEC 108-20090

APPLICATION SPEC 412-20000

WEIGHT 7.72g

CUSTOMER DRAWING



TE Connectivity

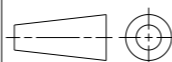
NAME AMP SUPERSEAL 1.5 SRS. 5 POSITIONS TAB ASS'Y

SIZE CAGE CODE DRAWING NO RESTRICTED TO

A300779 G-282107

SCALE 14:5 SHEET 2 OF 2 REV B3

DIMENSIONS: mm



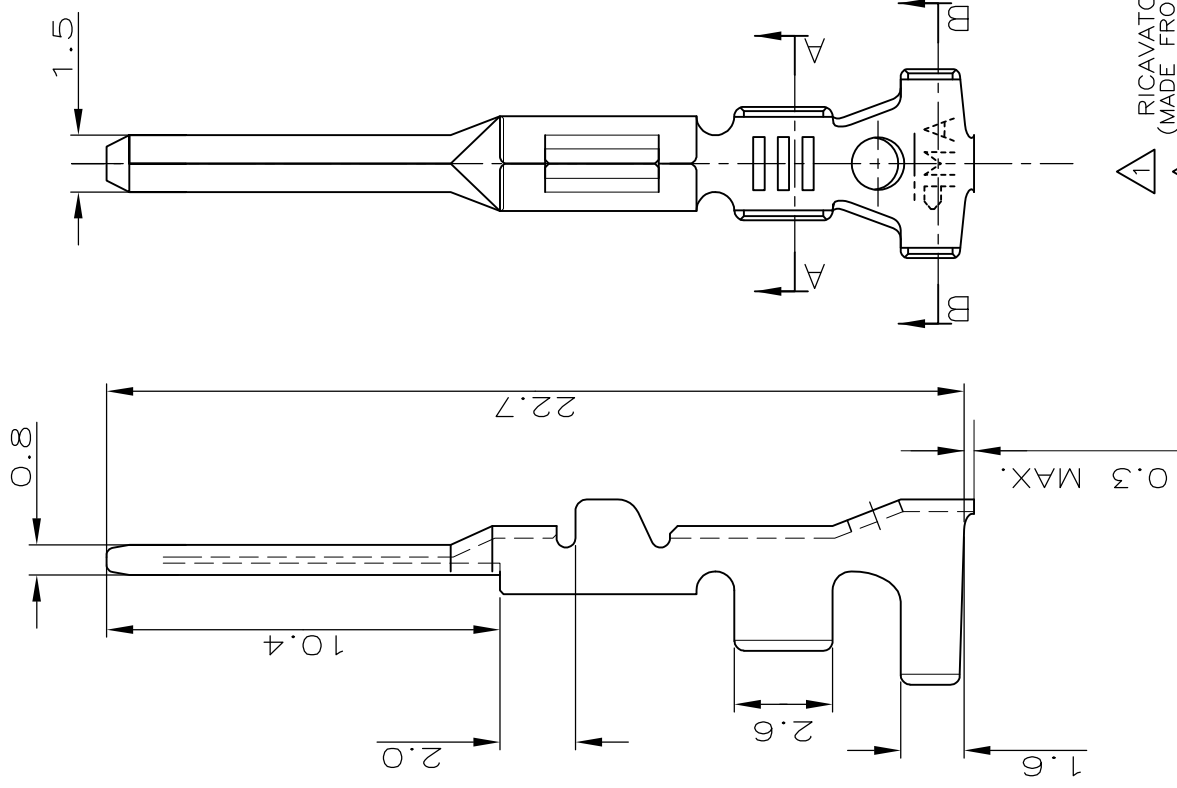
TOLERANCES UNLESS OTHERWISE SPECIFIED:

- 0 PLC ±-
- 1 PLC ± 0.3
- 2 PLC ±-
- 3 PLC ±-
- 4 PLC ±-
- ANGLES ± 2°

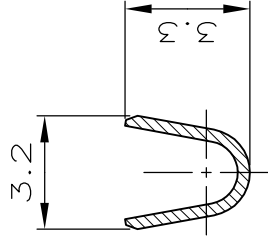
MATERIAL - SEE TABLE

FINISH - SEE TABLE

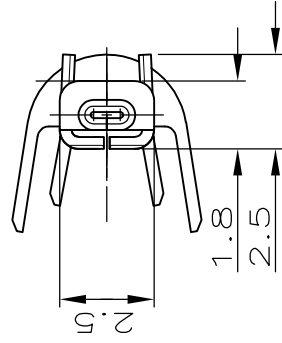
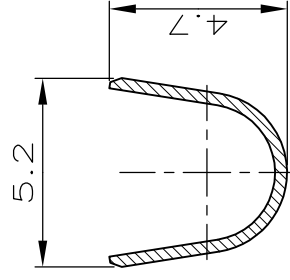
<b>METRIC</b>	LOC	DIST	REVISONS		
	I	—	P	LTR	DESCRIPTION
			C1	REVISED PER	ECO-11-005033
				DATE	DWN
				1 APR 11	RK
					APVD
					HMR



PARTIAL SECTION A-A



PARTIAL SECTION B-B



1 RICAVATO DAL P/N 282109-1  
(MADE FROM P/N 282109-1)

2 ADATTO PER GOMMINO PASSACAVO 281934-...  
(SUITABLE FOR SINGLE WIRE SEAL 281934-...)

DIAM. ISOLANTE (INS. DIA. RANGE)	RANGO FILO (WIRE RANGE)
2	0.75-1.5mm <sup>2</sup>

PRESTAGNATO (PRE-TIN PLTD.)	OTTONE (BRASS)
FINITURA / COLORE (FINISH / COLOUR)	MATERIALE (MATERIAL)
	NUMERO (PART NUMBER)
	1 183024-1

CUSTOMER DWG.  
FOR REFERENCE ONLY

DWN	9 NOV.90	MATERIAL	FINISH
CHK	9 NOV.90		
APVD			
BASSANO			
A.BRUNI			

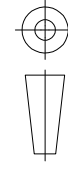
PRODUCT SPEC	
APPLICATION SPEC	
WEIGHT	
CUSTOMER DRAWING	



TE Connectivity

NAME	
MINI MIC SRS TAB CONTACT (LOOSE PIECE VERSION)	
SIZE	DRAWING NO
A4	00779

RESTRICTED TO	
—	
SCALE	SHEET
5:1	1 of 1
REV	C1



0 PLC ± —  
1 PLC ± 0.3  
2 PLC ± —  
3 PLC ± —  
4 PLC ± —  
ANGLES ± 2°

DIMENSIONS:  
mm

TOLERANCES UNLESS  
OTHERWISE SPECIFIED:

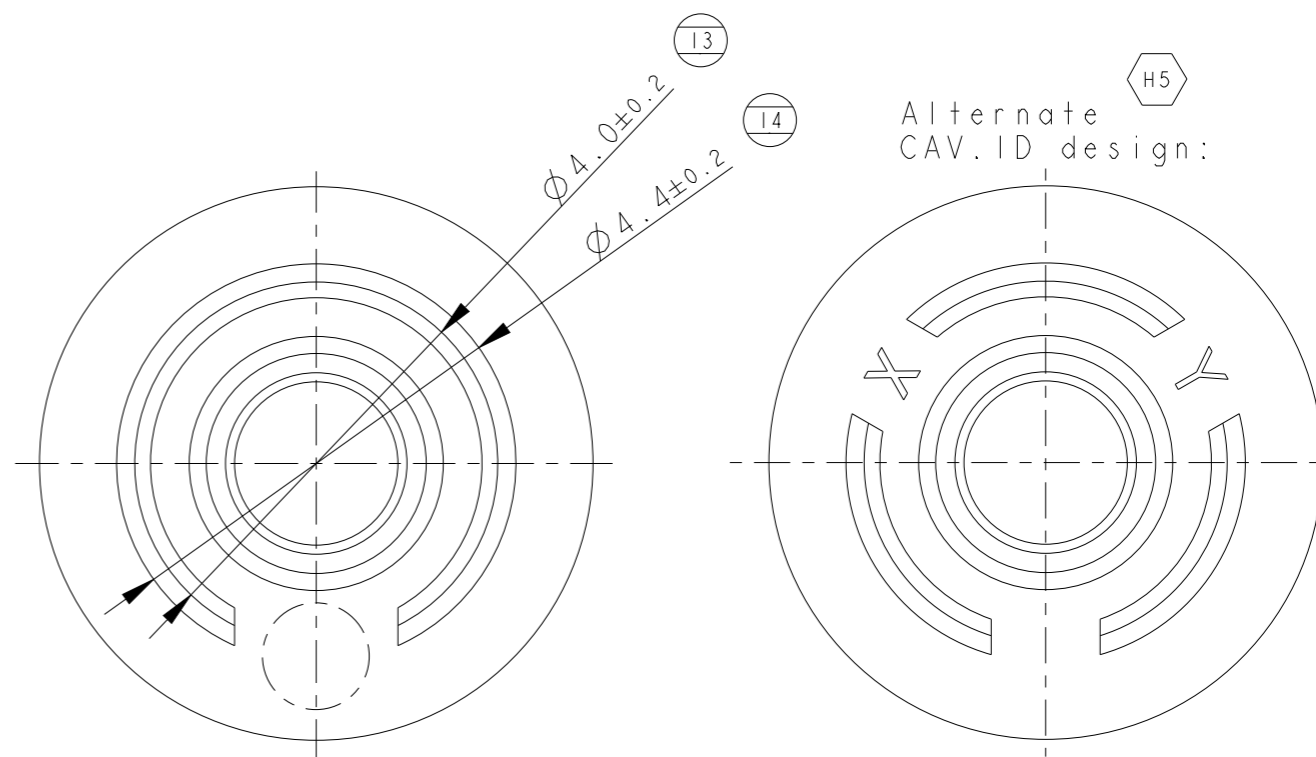
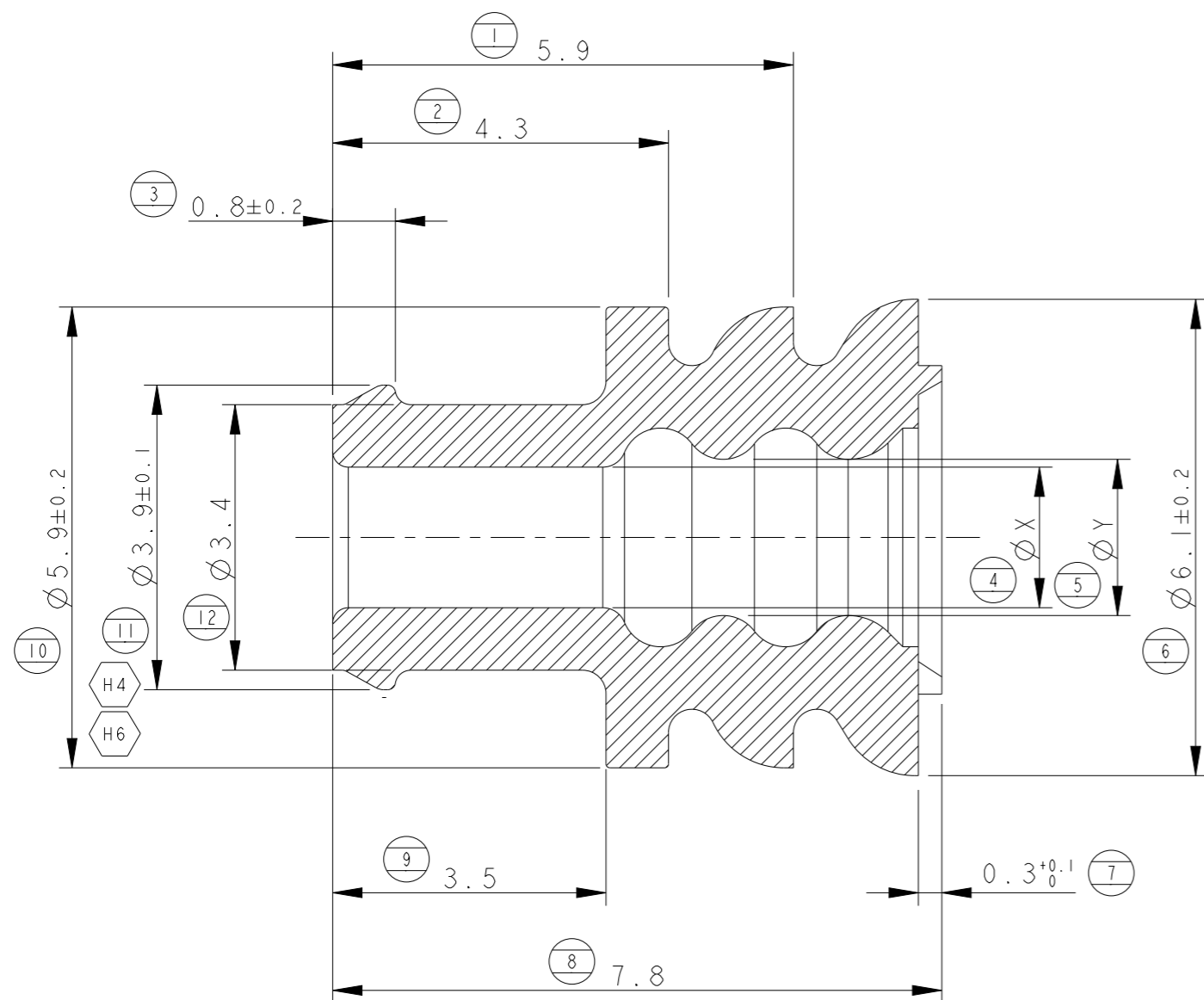
THIS DRAWING IS UNPUBLISHED.

RELEASED FOR PUBLICATION

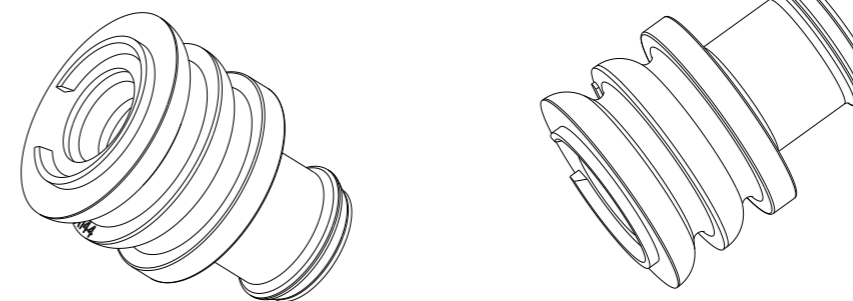
ALL RIGHTS RESERVED.

© COPYRIGHT - By -

P	LTR	DESCRIPTION	DATE	DWN	APVD
H3		ECR-23-169886	17APR2023	BV	GB
H4		(5- -3) added & DIM.11 Tolerance changed.	13MAY2025	BV	SZG
H5		Alternate CAV.ID design added.	11SEP2025	BV	GB
H6		Drawing error (DIM.11) was fixed	23SEP2025	BV	GB



SCALE 5:1



same as 281934-3	same as 281934-3	same as 281934-3	YELLOW	LSR	H	5-281934-3	H4
same as 281934-2	same as 281934-2	same as 281934-2	YELLOW	LSR	H	5-281934-2	H3
1.2 - 1.6	1.0±0.2	1.0±0.2	WHITE	FLUORSILICONE RUBBER (FSL)	H	281934-5	
			GREEN	SILICONE RUBBER (LSR)	H	281934-4	
2.5 - 3.3	2.0±0.2	1.8±0.2	RED	SILICONE RUBBER (LSR)	H	281934-3	
1.7 - 2.4	1.4±0.2	1.4±0.2	YELLOW	SILICONE RUBBER (LSR)	H	281934-2	
<b>SUITABLE FOR INS. DIA</b>	<b>DIM. "Y"</b>	<b>DIM. "X"</b>	<b>COLOUR</b>	<b>MATERIAL</b>	<b>REV.</b>	<b>P/N</b>	



THIS DRAWING IS A CONTROLLED DOCUMENT.

DWN C. BERTINI 12-'88

CHK A. BRUNI 05-'92

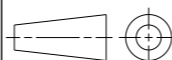
APVD -

NAME SINGLE WIRE SEAL



DIMENSIONS: mm

TOLERANCES UNLESS OTHERWISE SPECIFIED:



0 PLC ±0.3  
 1 PLC ±0.3  
 2 PLC ±  
 3 PLC ±  
 4 PLC ±  
 ANGLES ±2°

MATERIAL

FINISH

SEE TABLE

PRODUCT SPEC

APPLICATION SPEC

WEIGHT

SIZE	CAGE CODE	DRAWING NO	RESTRICTED TO
------	-----------	------------	---------------

A3	-	C-281934	-
----	---	----------	---

Customer Drawing

SCALE 7:1

SHEET 1 OF 1

REV H6