

# M 282107-K



**MINIKIT**

*Proseguire nella pagina successiva per visualizzare la scheda tecnica dei componenti*

Revisione	Prodotto
REV.00 16/04/2026	AfterMarket

4

3

2

1

THIS DRAWING IS UNPUBLISHED.

RELEASED FOR PUBLICATION

2009

© COPYRIGHT 2009 BY -

ALL RIGHTS RESERVED.

REVISIONS

P	LTR	DESCRIPTION	DATE	DWN	APVD
B1		REVISED PER ECO-17-009774	06SEP2017	M.G.	M.G.
B2		REVISED PER ECO-20-002019	12FEB2020	AP	VN
B3		REVISED PER ECN-21-125377	08NOV2021	VN	VN

Front view of the AMP Superseal 1.5 SRS 5 Positions Tab Ass'y. Dimensions include overall height 37.8, mounting hole offset 33.7, and tab height 31.4. Features include a circular logo with '300' and '15879', the 'STE' logo, and a '3.4' label. A triangle symbol with '1' indicates a specific feature.

Top view of the AMP Superseal 1.5 SRS 5 Positions Tab Ass'y. Dimensions include overall width 24.0 ± 0.2 and a central offset of 6.0 ± 0.2. Internal components are labeled '3f' and '1K'. A '3.0 ± 0.2' dimension is shown for a specific feature.

Side view of the AMP Superseal 1.5 SRS 5 Positions Tab Ass'y. Dimensions include overall length 42.0, mounting hole offset 30.0, and a secondary lock offset of 9.6 ± 0.2. A pre-assembled secondary lock (red color) is shown with a 3.0 ± 0.2 offset. Other dimensions include 13.8 ± 0.8, 10.7 ± 0.3, 10.6 ± 0.2, 5.5 ± 0.2, 7.4 ± 0.2, and 9.3 ± 0.2.

Part section B-B of the AMP Superseal 1.5 SRS 5 Positions Tab Ass'y. Dimensions include 5.6 ± 0.3, 8.10 ± 0.15, and 0.80 ± 0.15.

PART SECTION B - B

BROWN	PA66-GF	B	4-282107-1
GRAY	PA66-GF	B	282107-2
BLACK	PA66-GF	B	282107-1
FINISH/COLOR	MATERIAL	REV	PART NUMBER

△ TE CONNECTIVITY TRADE MARK,  
(IN ALTERNATIVE: "AMP" LOGO, OR "Tyco Electronics" LOGO)

THIS DRAWING IS A CONTROLLED DOCUMENT.

DWN C. BERTINI 02-1990

CHK A. BRUNI 02-1990

APVD -

PRODUCT SPEC

108-20090

APPLICATION SPEC

412-20000

WEIGHT

7.72g

CUSTOMER DRAWING

DIMENSIONS:

mm

MATERIAL

SEE TABLE

TOLERANCES UNLESS OTHERWISE SPECIFIED:

0 PLC	±	0.3
1 PLC	±	0.3
2 PLC	±	
3 PLC	±	
4 PLC	±	
ANGLES	±	2°

FINISH

SEE TABLE

NAME

AMP SUPERSEAL 1.5 SRS.  
5 POSITIONS TAB ASS'Y

SIZE

CAGE CODE

DRAWING NO

A300779

C-282107

RESTRICTED TO

SCALE

14:5

SHEET

1 OF 2

REV

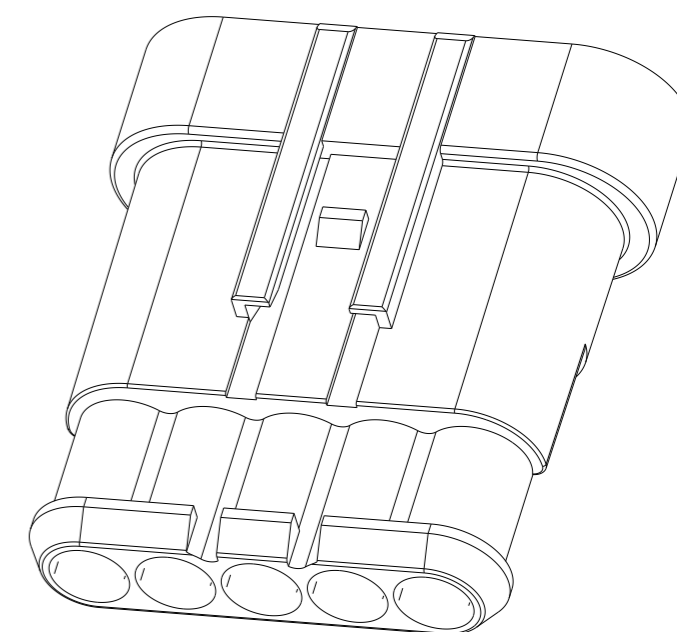
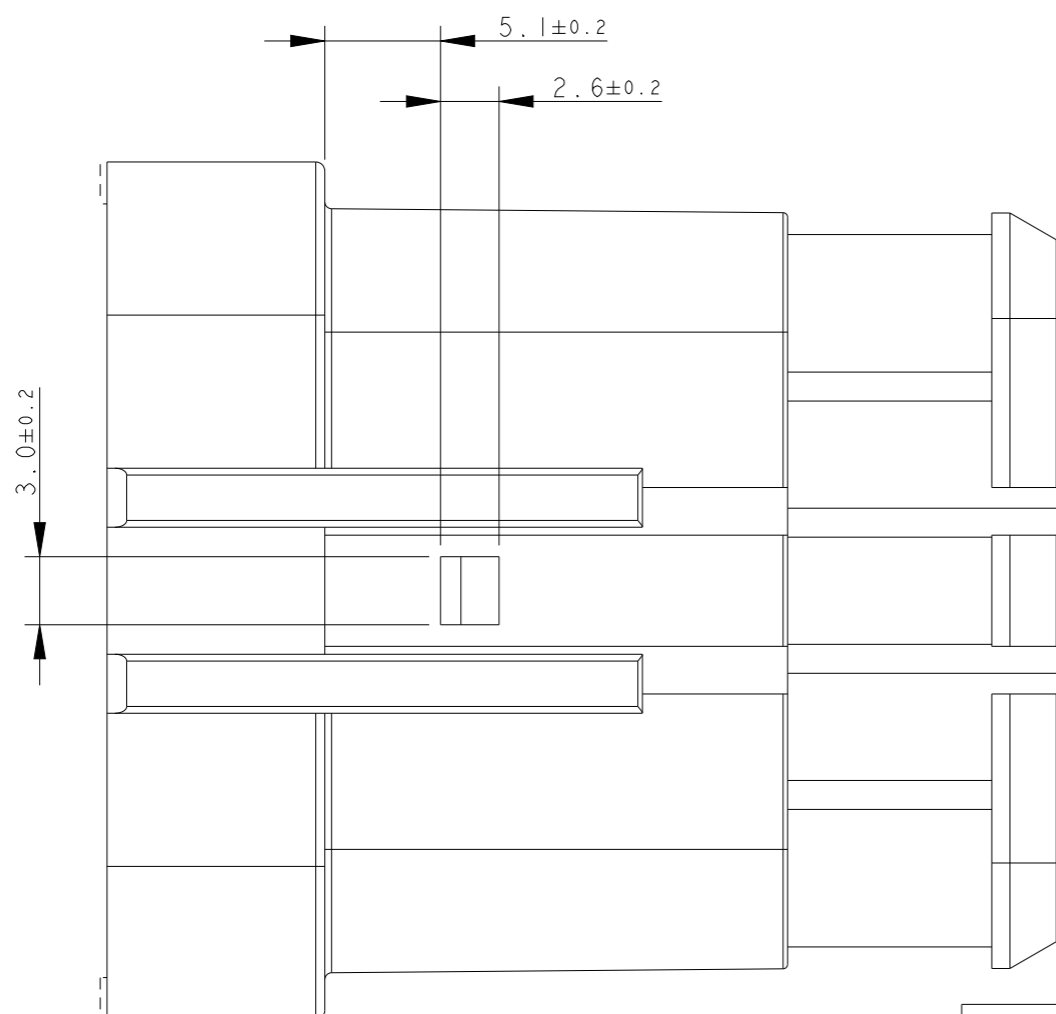
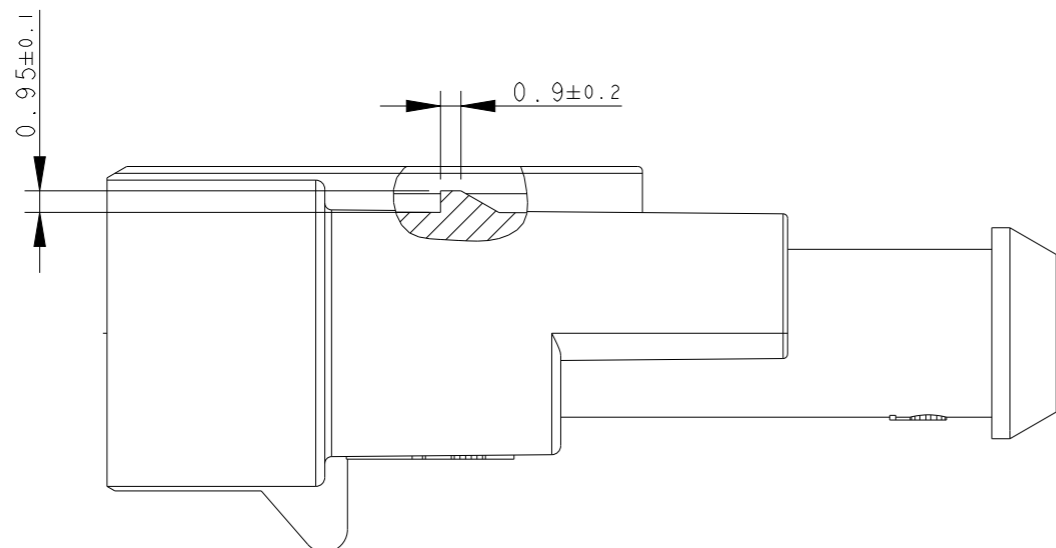
B3

1470-19 (3/13)

REVISIONS

P	LTR	DESCRIPTION	DATE	DWN	APVD
-	-	SEE SHEET 1	-	-	-

REFER SHEET 1 FOR MISSING DIMENSIONS



4-282107-1 AS SHOWN

THIS DRAWING IS A CONTROLLED DOCUMENT.

DWN C. BERTINI 02-1990

CHK A. BRUNI 02-1990

APVD -

PRODUCT SPEC 108-20090

APPLICATION SPEC 412-20000

WEIGHT 7.72g

CUSTOMER DRAWING



TE Connectivity

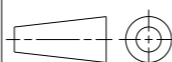
NAME AMP SUPERSEAL 1.5 SRS. 5 POSITIONS TAB ASS'Y

SIZE CAGE CODE DRAWING NO RESTRICTED TO

A300779 C-282107

SCALE 14:5 SHEET 2 OF 2 REV B3

DIMENSIONS: mm



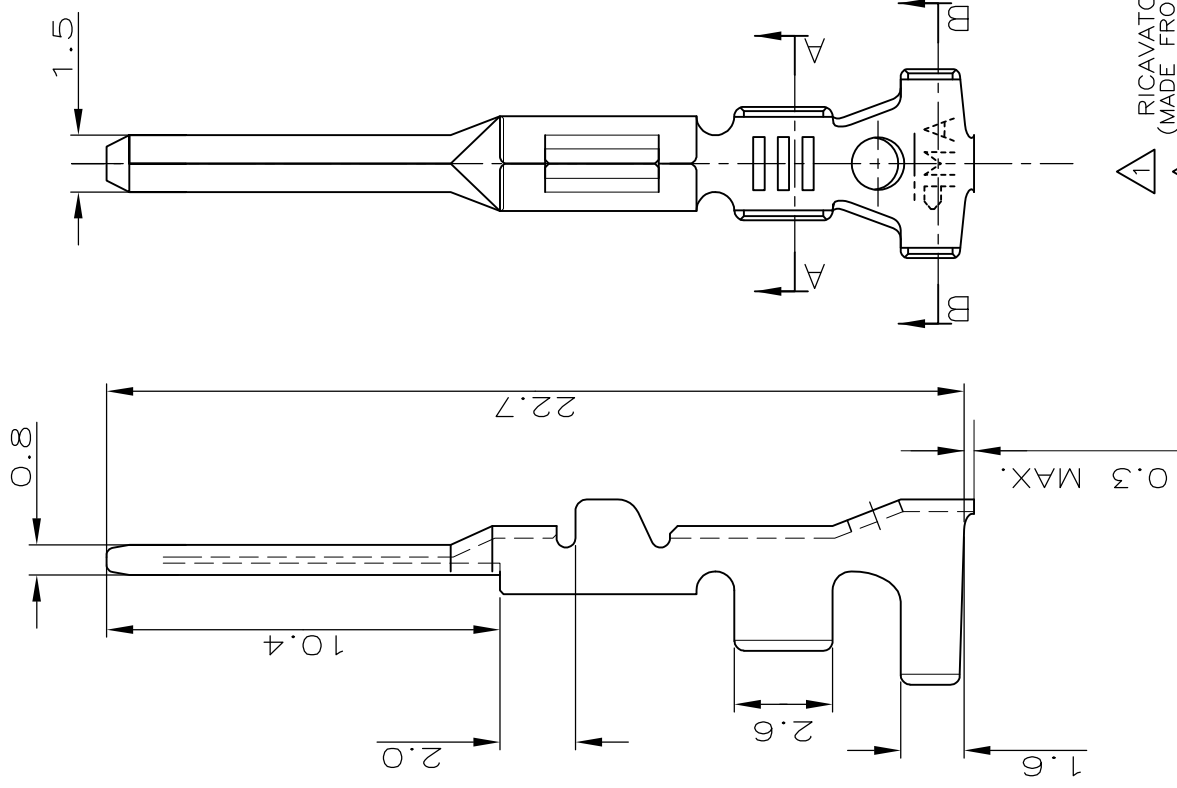
TOLERANCES UNLESS OTHERWISE SPECIFIED:

- 0 PLC ±-
- 1 PLC ± 0.3
- 2 PLC ±-
- 3 PLC ±-
- 4 PLC ±-
- ANGLES ± 2°

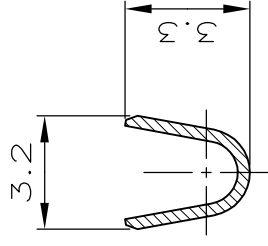
MATERIAL - SEE TABLE

FINISH - SEE TABLE

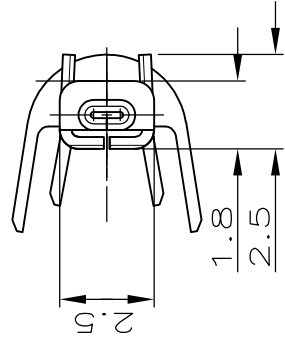
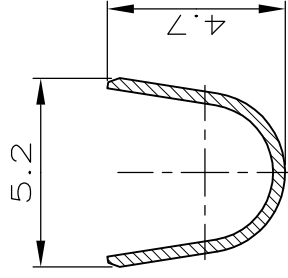
<b>METRIC</b>	LOC	DIST	REVISONS		
	I	—	P	LTR	DESCRIPTION
			C1	REVISED PER ECO-11-005033	DATE
				1APR11	DWN
				RK	APVD
				HMR	



PARTIAL SECTION A-A



PARTIAL SECTION B-B



1 RICAVATO DAL P/N 282109-1  
(MADE FROM P/N 282109-1)

2 ADATTO PER GOMMINO PASSACAVO 281934-...  
(SUITABLE FOR SINGLE WIRE SEAL 281934-...)

THIS DRAWING IS UNPUBLISHED.

© COPYRIGHT - By -

ALL RIGHTS RESERVED.

RELEASED FOR PUBLICATION

—

—

—

—

—

—

—

—

—

—

—

—

—

—

—

—

—

—

—

—

—

—

—

—

—

—

—

—

—

—

—

—

—

—

—

—

—

—

—

—

—

—

—

—

—

—

—

—

—

—

—

—

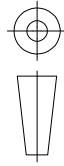
—

—

DIMENSIONS:  
mm

TOLERANCES UNLESS  
OTHERWISE SPECIFIED:

- 0 PLC ± -
- 1 PLC ± 0.3
- 2 PLC ± -
- 3 PLC ± -
- 4 PLC ± -
- ANGLES ± 2°



DWN BASSANO 9 NOV.90

CHK A.BRUNI 9 NOV.90

APVD -

PRODUCT SPEC

APPLICATION SPEC

WEIGHT

CUSTOMER DRAWING

MATERIAL

FINISH



TE Connectivity

NAME

MINI MIC SRS TAB CONTACT  
(LOOSE PIECE VERSION)

SIZE CAGE CODE DRAWING NO

A4 00779 C-183024

RESTRICTED TO

—

SCALE 5:1

SHEET 1 of 1

REV C1

THIS DRAWING IS UNPUBLISHED.

RELEASED FOR PUBLICATION

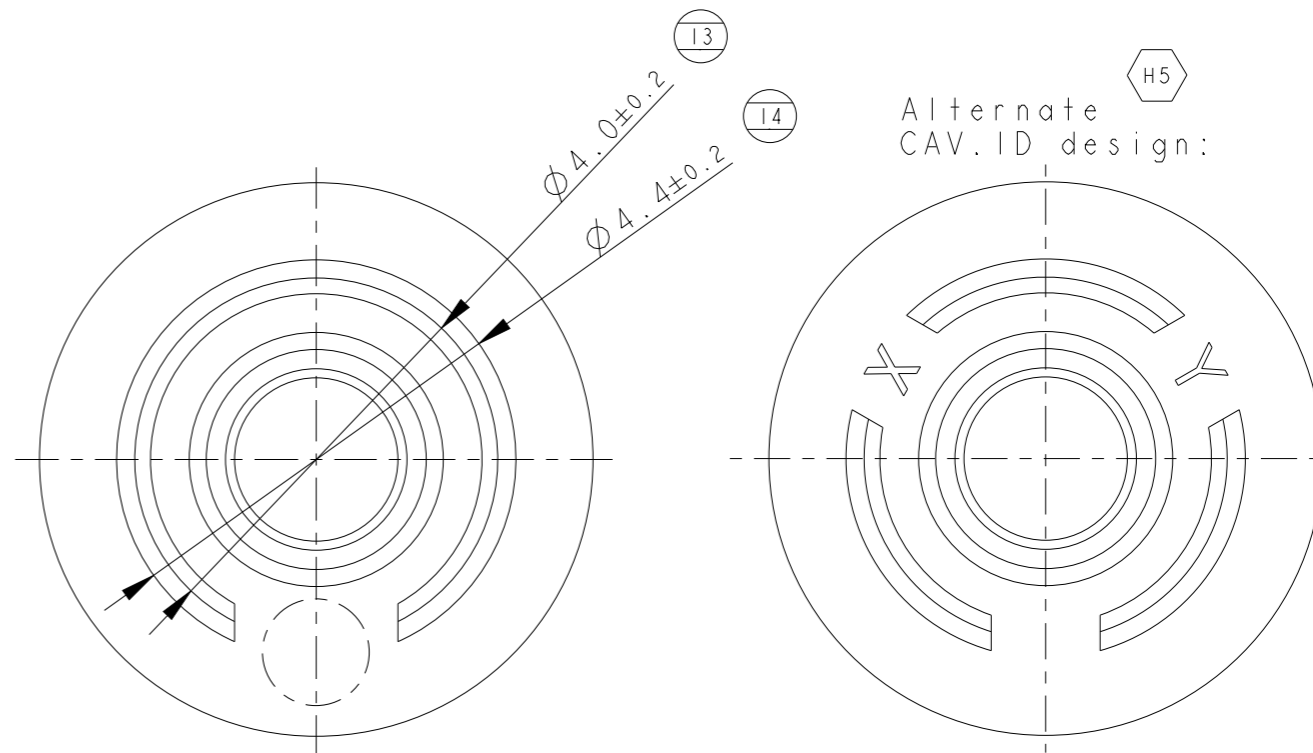
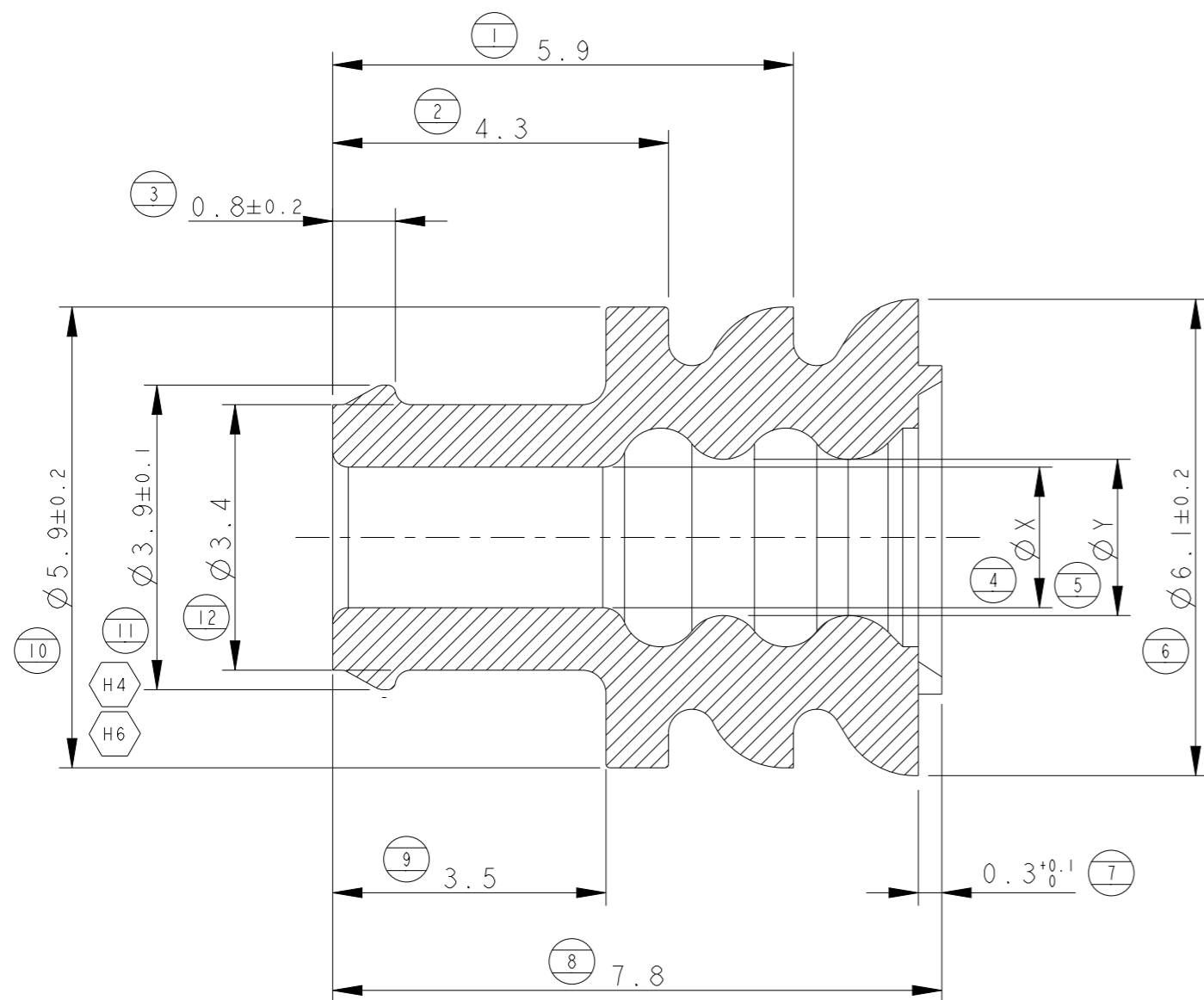
20

© COPYRIGHT 20 BY -

ALL RIGHTS RESERVED.

REVISIONS

P	LTR	DESCRIPTION	DATE	DWN	APVD
H3		ECR-23-169886	17APR2023	BV	GB
H4		(5- -3) added & DIM.11 Tolerance changed.	13MAY2025	BV	SZG
H5		Alternate CAV.ID design added.	11SEP2025	BV	GB
H6		Drawing error (DIM.11) was fixed	23SEP2025	BV	GB



SCALE 5:1



same as 281934-3	same as 281934-3	same as 281934-3	YELLOW	LSR	H	5-281934-3	H4
same as 281934-2	same as 281934-2	same as 281934-2	YELLOW	LSR	H	5-281934-2	H3
1.2 - 1.6	1.0±0.2	1.0±0.2	WHITE	FLUORSILICONE RUBBER (FSL)	H	281934-5	
			GREEN	SILICONE RUBBER (LSR)	H	281934-4	
2.5 - 3.3	2.0±0.2	1.8±0.2	RED	SILICONE RUBBER (LSR)	H	281934-3	
1.7 - 2.4	1.4±0.2	1.4±0.2	YELLOW	SILICONE RUBBER (LSR)	H	281934-2	
SUITABLE FOR INS. DIA	DIM. "Y"	DIM. "X"	COLOUR	MATERIAL	REV.	P/N	



THIS DRAWING IS A CONTROLLED DOCUMENT.

DWN C. BERTINI 12-'88

CHK A. BRUNI 05-'92

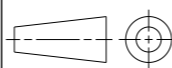
APVD -

NAME SINGLE WIRE SEAL



DIMENSIONS: mm

TOLERANCES UNLESS OTHERWISE SPECIFIED:



0 PLC ±0.3  
 1 PLC ±0.3  
 2 PLC ±  
 3 PLC ±  
 4 PLC ±  
 ANGLES ±2°

MATERIAL

FINISH

SEE TABLE

PRODUCT SPEC -

APPLICATION SPEC -

WEIGHT -

SIZE A3 CAGE CODE - DRAWING NO C-281934 RESTRICTED TO -

Customer Drawing SCALE 7:1 SHEET 1 OF 1 REV H6