

M 282190-1

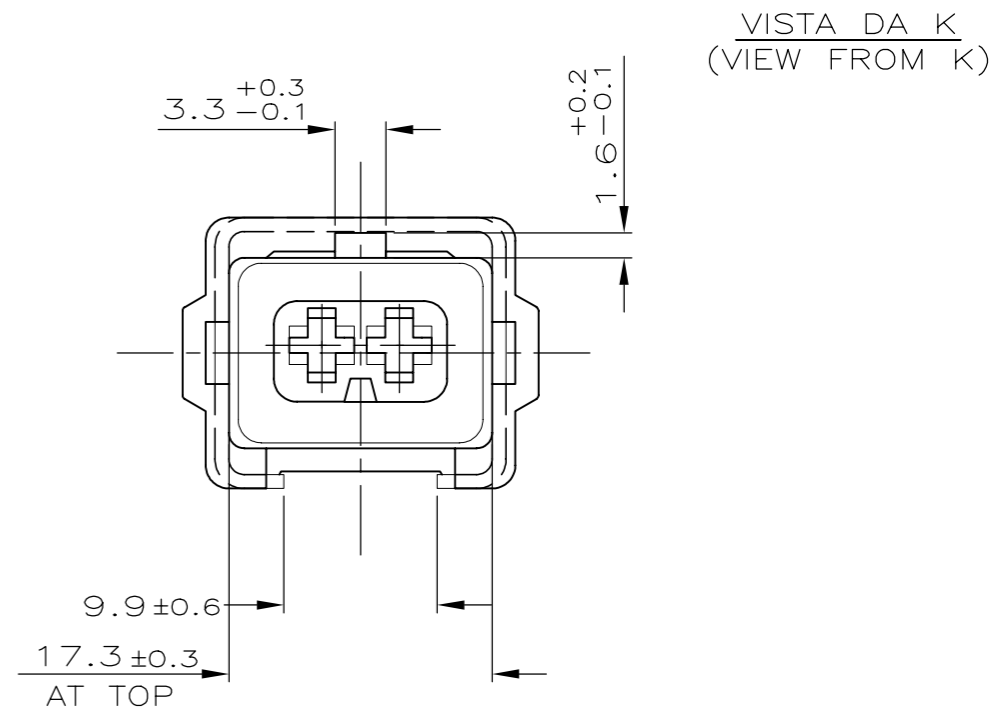
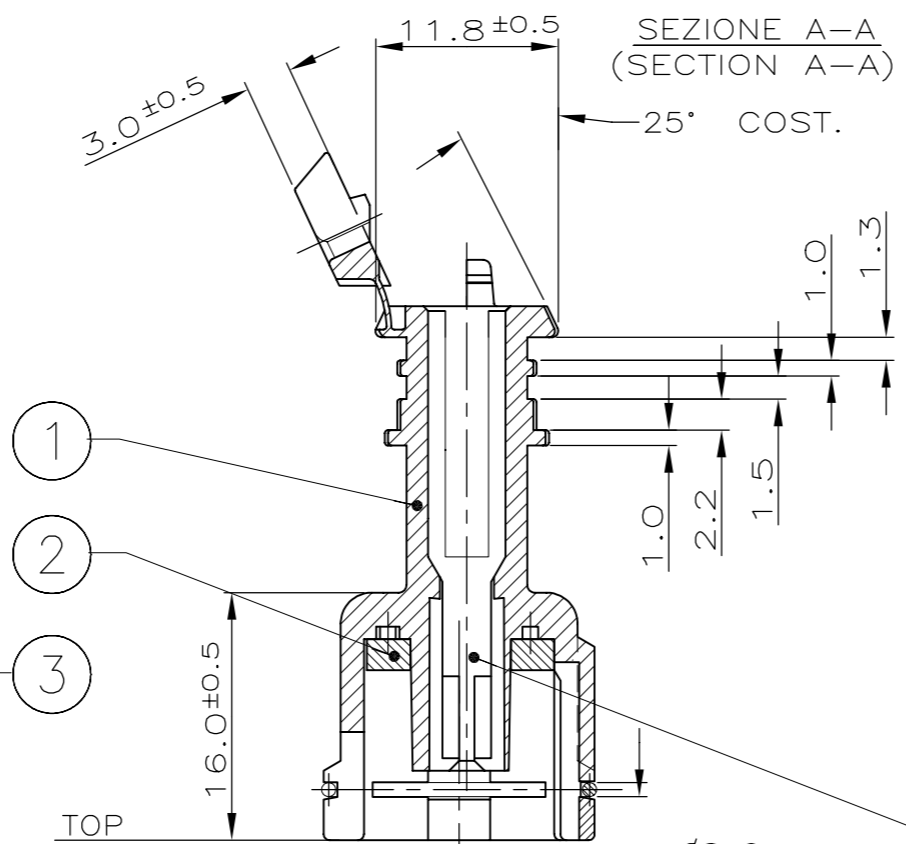
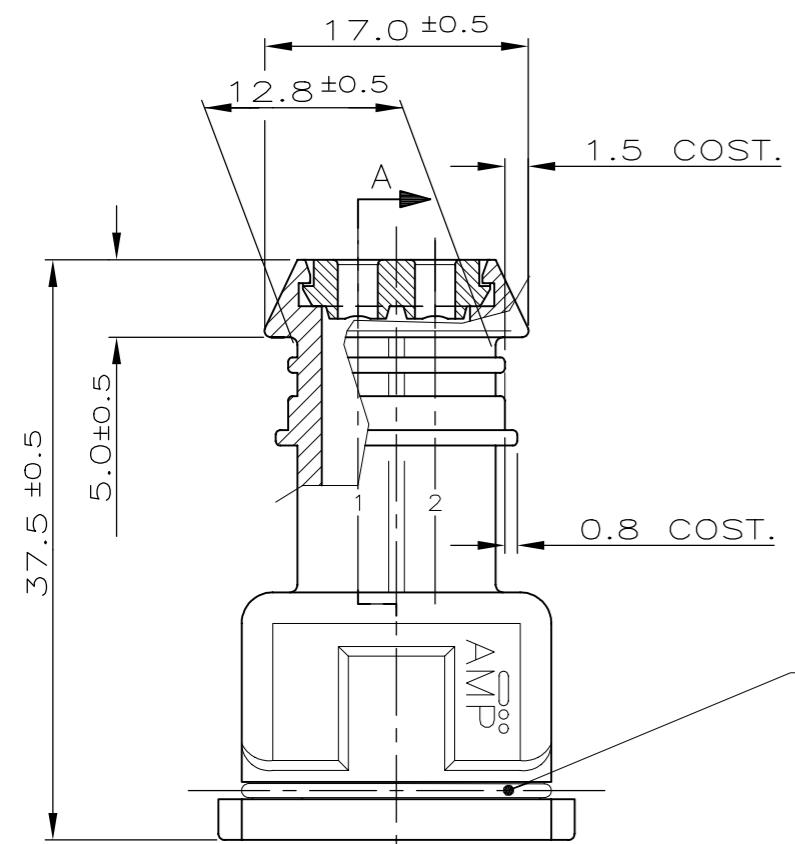


Proseguire nella pagina successiva per visualizzare la scheda tecnica dei componenti

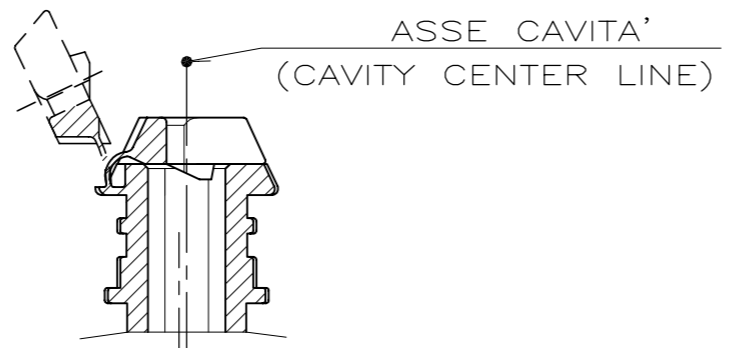
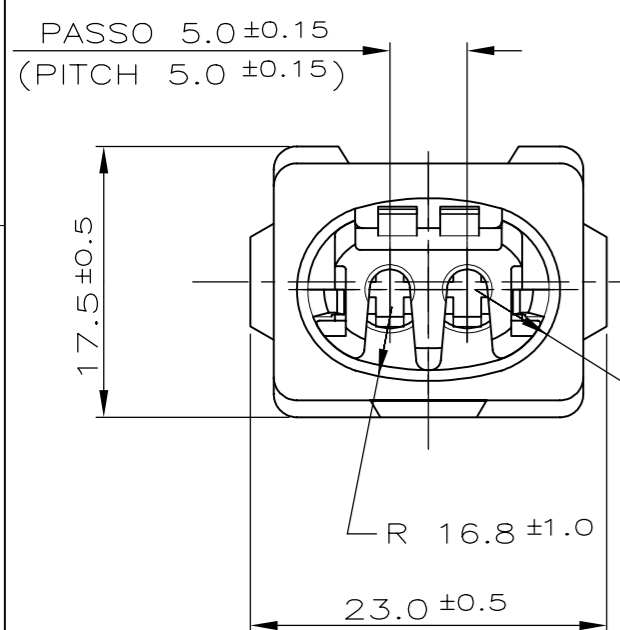
Revisione	Prodotto
REV.00 15/04/2026	OEM

REVISIONS					
P	LTR	DESCRIPTION	DATE	DWN	APVD
M3		REVISED PER ECN-26-362271	06JAN2026	AP	VN

CONNETTORE TIPO B (CON MOLLA DI RITEGNO INTERNA)
CONNECTOR TYPE B (WITH INTERNAL SPRING)



TIP. CAVITA' PER TERMINALI AMP JPT P/N 929939-...
OPPURE 929937-... E RELATIVI GOMMINI
AMP P/N 828904-1, 828905-1, 282536-1.
TAPPO CAVITA' P/N 828906-2
(TYP. CAV. FOR JPT CONT. P/N 929939-.. A/O 929937-.. AND REL.
SINGLE WIRE SEAL P/N 828904-1, 828905-1, 282536-1
CAVITY PLUG P/N 828906-2)



OBSELETE	COLORE / COLOR	NUMERO PART. No	N (ITEM)	FINITURA / COLORE (FINISH / COLOUR)	MATERIALE (MATERIAL)	DESCRIZIONE (DESCRIPTION)
OBSELETE	ROSSO (RED)	282190-8			ACCIAIO INOX (STAINLESS STEEL)	MOLLA (SPRING)
OBSELETE	GIALLO (YELLOW)	282190-7	3	///////	ACCIAIO INOX (STAINLESS STEEL)	MOLLA (SPRING)
	MARRONE (BROWN)	282190-6				
OBSELETE	BLU (BLUE)	282190-5	2	NATURALE (NATURAL)	GOMMA SILICONICA (SILICONE RUBBER)	GUARNIZIONE (RUBBER GASKET)
OBSELETE	VERDE (GREEN)	282190-4				
OBSELETE	NATURALE (NATUR)	282190-3	1	///////	PA 6.6 C.VETRO (PA 6.6-GF)	BLOCCETTO (HOUSING)
	GRIGIO (GREY)	282190-2				
	NERO (BLACK)	282190-1				

THIS DRAWING IS A CONTROLLED DOCUMENT.

DWN 9 NOV 90
CHK Ennio CINI 13 OCT 92
C.TARTARI

APVD - NAME
PRODUCT SPEC -
APPLICATION SPEC -

WEIGHT -
CUSTOMER DRAWING

SCALE NTS SHEET 1 OF 2 REV M3

2 W.SPLASH PROOF CONN.ASS'Y with SECONDARY LOCK

SIZE A2 CAGE CODE 00779 DRAWING NO C=282190 RESTRICTED TO -

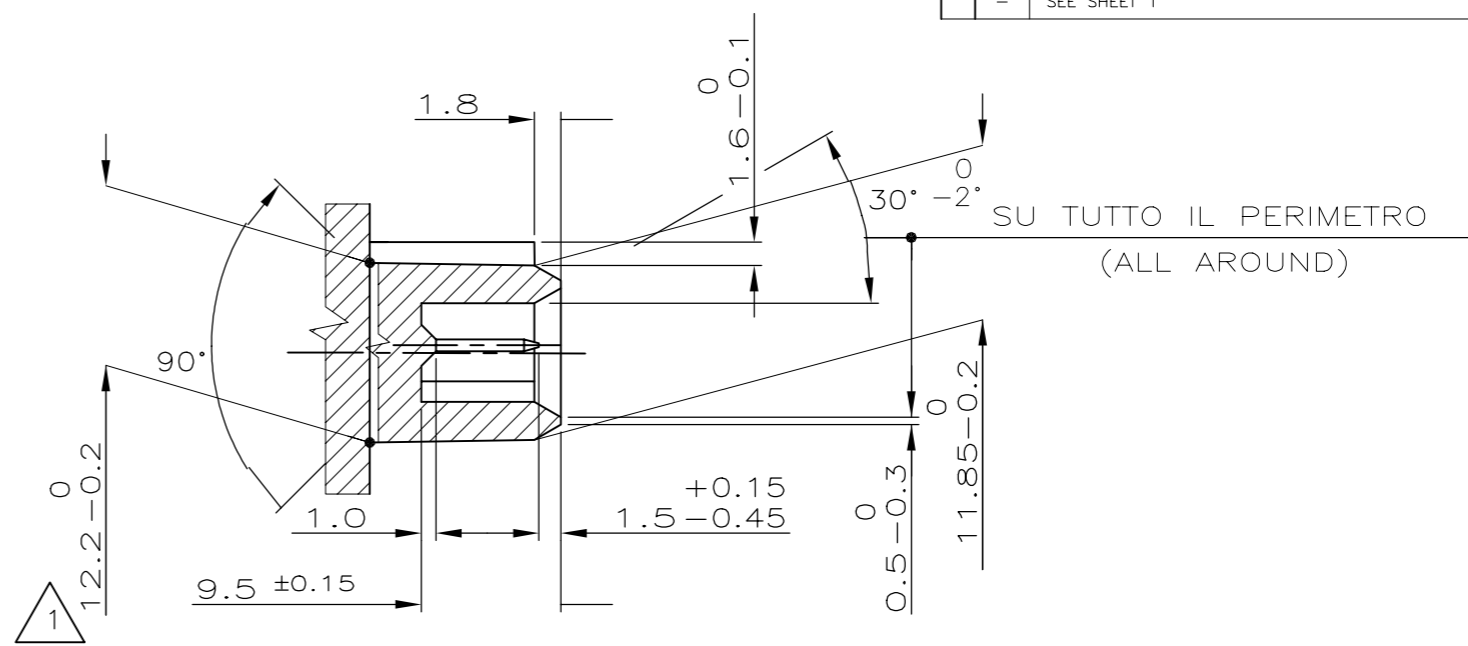
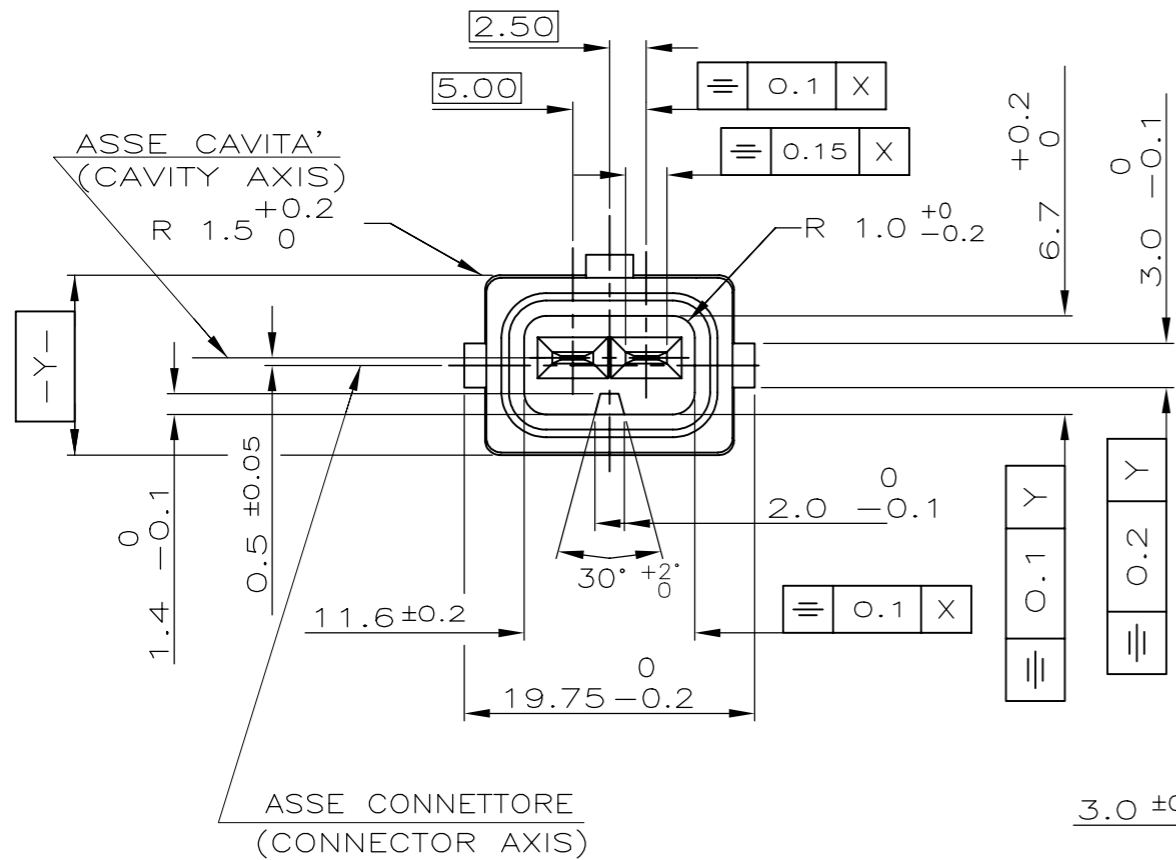
CUSTOMER DWG. FOR REFERENCE ONLY
DISEGNO PER CLIENTE SOLO PER RIFERIMENTO

METRIC	DIAM. ISOLANTE (INS. DIA. RANGE) 1.5-3.0mm (REDUCED INS.CABLE)	RANGO FILO (WIRE RANGE) 0.5-2.5 mm ²
--------	--	--

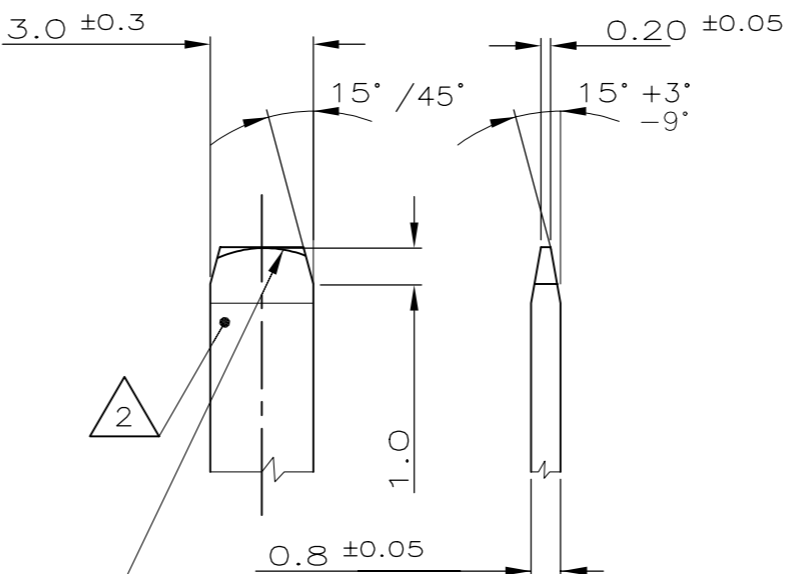
METRIC

REVISIONS

P	LTR	DESCRIPTION	DATE	DWN	APVD
-	-	SEE SHEET 1	-	-	-

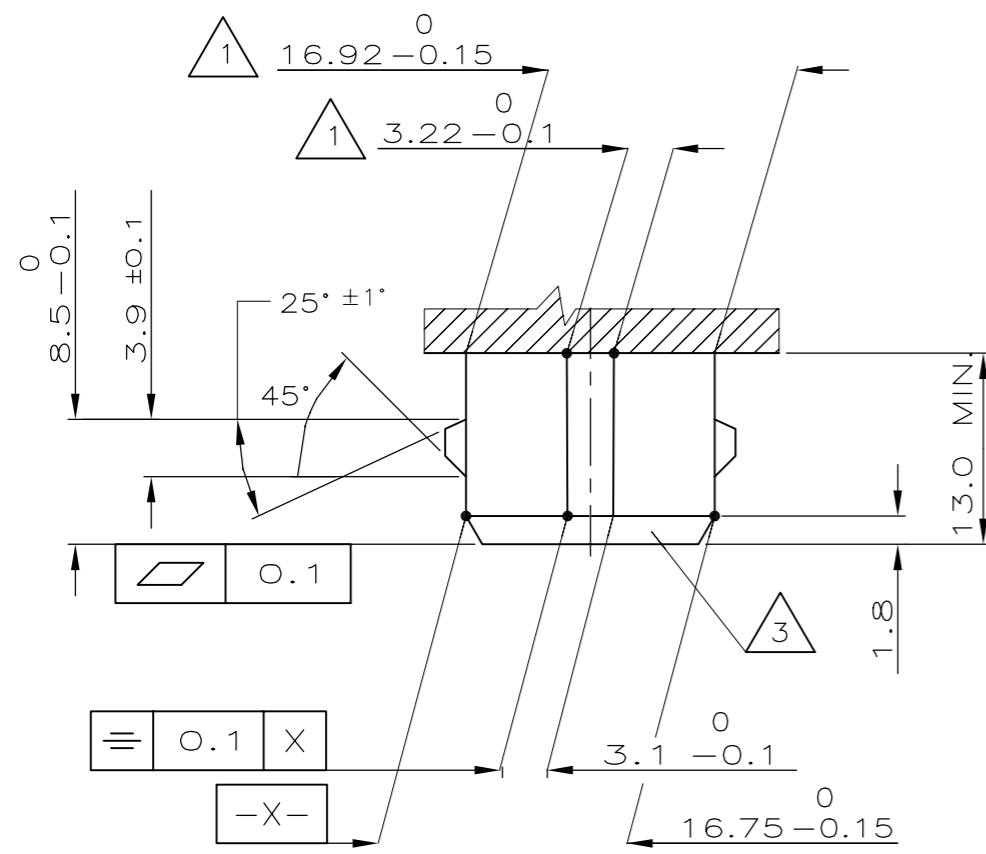


DETT. CONTATTO SC. 5:1 (TAB DETAIL SC. 5:1)



FORMA ALTERNATIVA PERMESSA CON RAGGIO (ALLOWED ALTERNATIVE PROFILE WITH RADIUS)

- 1 QUOTE APPLICABILI PER SFORMATURA PEZZO (RIGHT DIMENSIONS FOR EXTRACTION ITEM FROM THE MOULD)
- 2 MATERIALE CONTATTI: LEGA DI RAME STAGNATA, ES. OTTONE STAGNATO. (TAB MATERIAL: TINNED Cu ALLOY, E.G. TINNED BRASS)
- 3 MATERIALE BLOCCHETTO: TERMOPLASTICO CARICATO FIBRA VETRO. (HOUSING MATERIAL: THERMOPLASTIC GLASS FIBER FILLED).



DIAM. ISOLANTE (INS. DIA. RANGE) SEE SHEET 1		RANGO FILO (WIRE RANGE) SEE SHEET 1		FINITURA / COLORE (FINISH / COLOUR)	MATERIALE (MATERIAL)	NUMERO (PART NUMBER)
THIS DRAWING IS A CONTROLLED DOCUMENT.				CUSTOMER DWG. FOR REFERENCE ONLY		DISEGNO PER CLIENTE SOLO PER RIFERIMENTO
DIMENSIONS: mm		TOLERANCES UNLESS OTHERWISE SPECIFIED:		TE Connectivity Ltd.		
MATERIAL		FINISH		2 POS.SPLASH PROOF CONN.ASS'Y with SECONDARY LOCK		
		DWN -		NAME		
0 PLC ± -		1 PLC ± 0.3		SIZE		
2 PLC ± -		3 PLC ± -		CAGE CODE		
4 PLC ± -		ANGLES ± 2°		DRAWING NO		
MATERIAL		FINISH		RESTRICTED TO		
WEIGHT		SCALE		SHEET		
CUSTOMER DRAWING		SCALE NTS		2 of 2		
REV M3		REV		REV		