

M 282190-1K



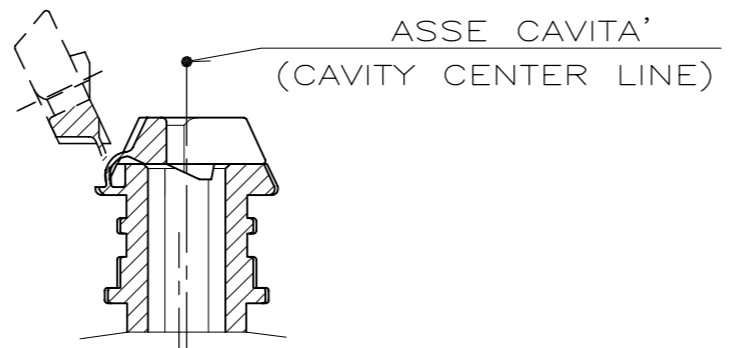
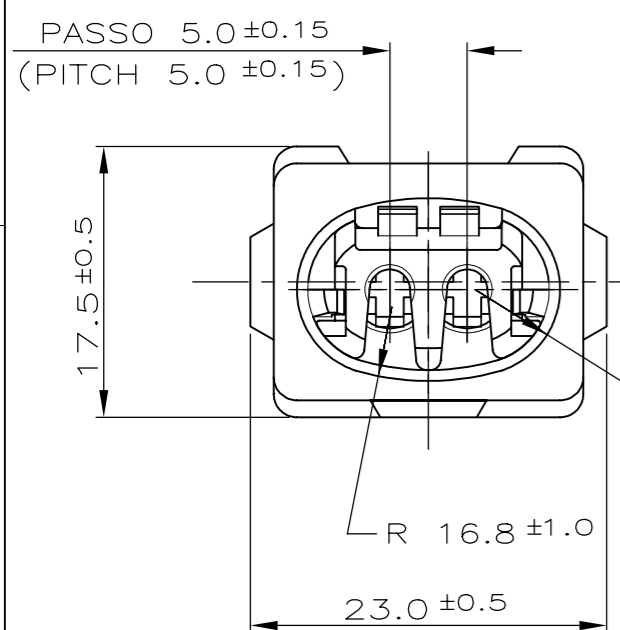
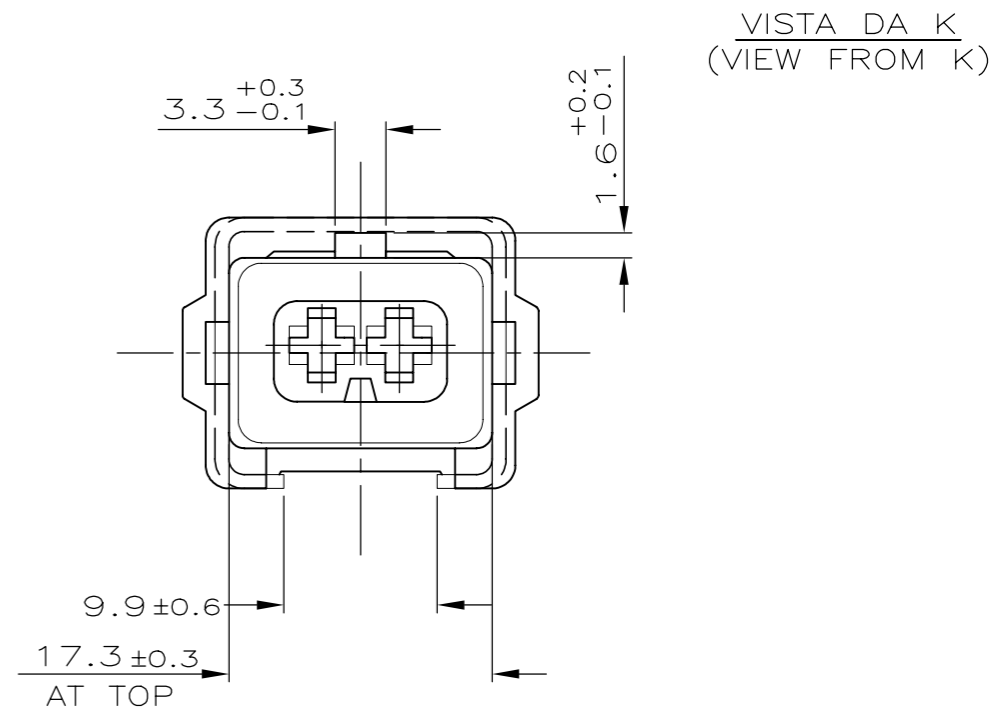
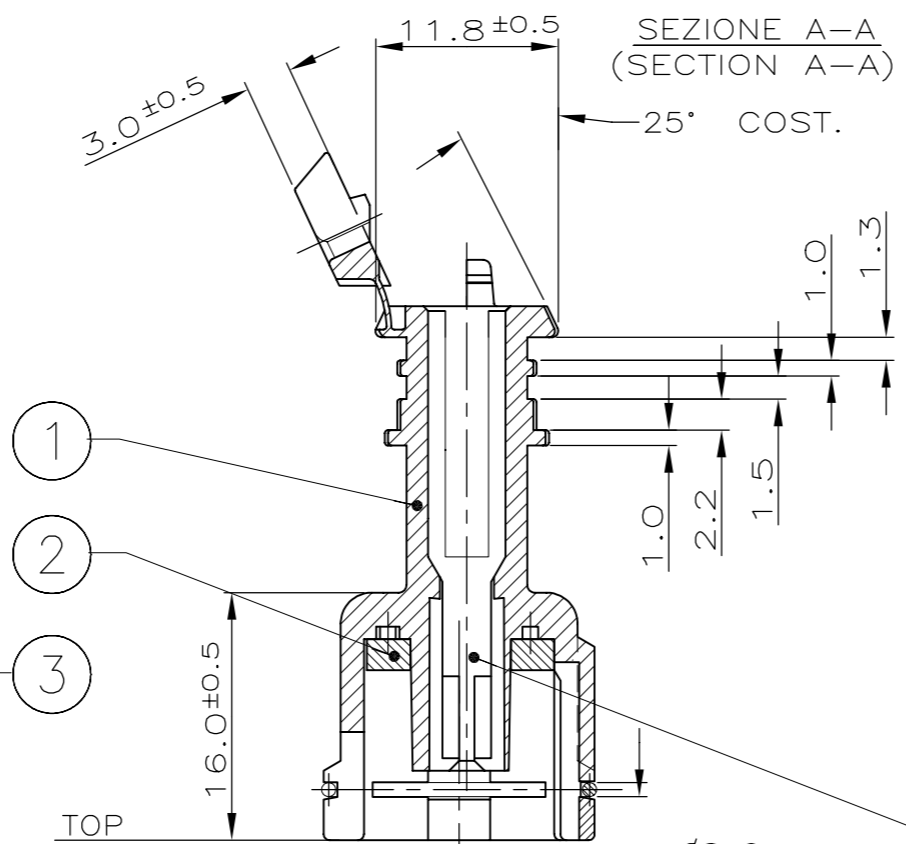
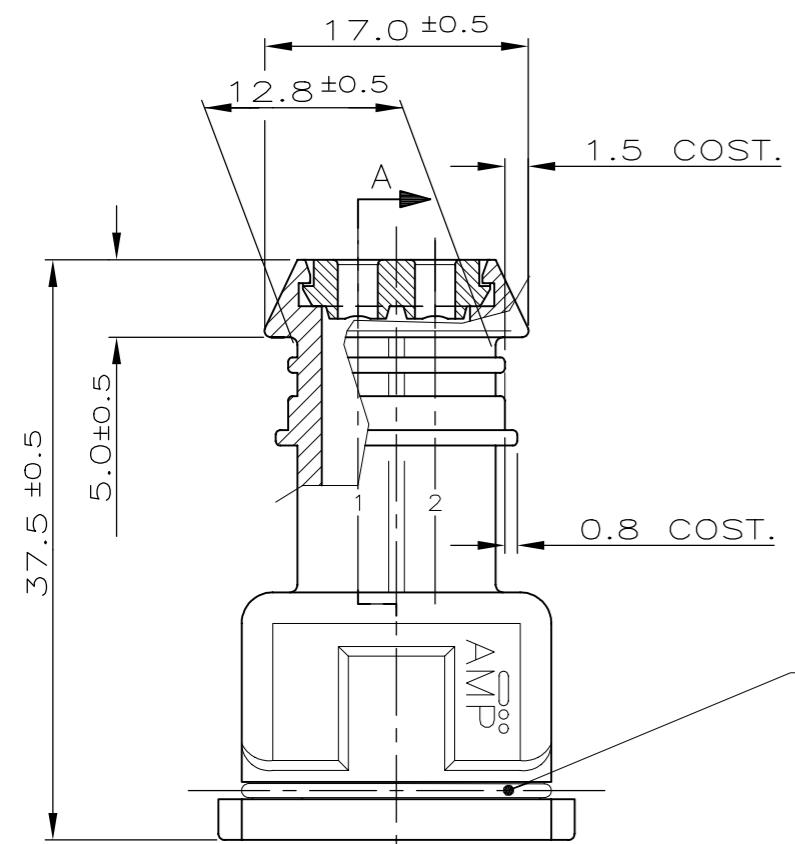
MINIKIT

Proseguire nella pagina successiva per visualizzare la scheda tecnica dei componenti

| Revisione | Prodotto |
|----------------------|----------|
| REV.00 15/04/2026 | OEM |

| REVISIONS | | | | | |
|-----------|-----|---------------------------|-----------|-----|------|
| P | LTR | DESCRIPTION | DATE | DWN | APVD |
| M3 | | REVISED PER ECN-26-362271 | 06JAN2026 | AP | VN |

CONNETTORE TIPO B (CON MOLLA DI RITEGNO INTERNA)
CONNECTOR TYPE B (WITH INTERNAL SPRING)



TIP. CAVITA' PER TERMINALI AMP JPT P/N 929939-...
OPPURE 929937-... E RELATIVI GOMMINI
AMP P/N 828904-1, 828905-1, 282536-1.
TAPPO CAVITA' P/N 828906-2
(TYP. CAV. FOR JPT CONT. P/N 929939-.. A/O 929937-.. AND REL.
SINGLE WIRE SEAL P/N 828904-1, 828905-1, 282536-1
CAVITY PLUG P/N 828906-2)

| OBSELETE | COLORE / COLOR | NUMERO PART. No | N (ITEM) | FINITURA / COLORE (FINISH / COLOUR) | MATERIALE (MATERIAL) | DESCRIZIONE (DESCRIPTION) |
|----------|------------------|-----------------|----------|-------------------------------------|------------------------------------|-----------------------------|
| OBSELETE | ROSSO (RED) | 282190-8 | | | ACCIAIO INOX (STAINLESS STEEL) | MOLLA (SPRING) |
| OBSELETE | GIALLO (YELLOW) | 282190-7 | 3 | /////// | ACCIAIO INOX (STAINLESS STEEL) | MOLLA (SPRING) |
| | MARRONE (BROWN) | 282190-6 | | | GOMMA SILICONICA (SILICONE RUBBER) | GUARNIZIONE (RUBBER GASKET) |
| OBSELETE | BLU (BLUE) | 282190-5 | 2 | NATURALE (NATURAL) | GOMMA SILICONICA (SILICONE RUBBER) | GUARNIZIONE (RUBBER GASKET) |
| OBSELETE | VERDE (GREEN) | 282190-4 | | | PA 6.6 C.VETRO (PA 6.6-GF) | BLOCCETTO (HOUSING) |
| OBSELETE | NATURALE (NATUR) | 282190-3 | 1 | /////// | PA 6.6 C.VETRO (PA 6.6-GF) | BLOCCETTO (HOUSING) |
| | GRIGIO (GREY) | 282190-2 | | | | |
| | NERO (BLACK) | 282190-1 | | | | |

THIS DRAWING IS A CONTROLLED DOCUMENT.

DWN 9 NOV 90
CHK Ennio CINI 13 OCT 92
C.TARTARI

APVD - NAME
PRODUCT SPEC -
APPLICATION SPEC -

WEIGHT -
CUSTOMER DRAWING

SCALE NTS SHEET 1 OF 2 REV M3

2 W.SPLASH PROOF CONN.ASS'Y with SECONDARY LOCK

SIZE A2 CAGE CODE 00779 DRAWING NO C=282190 RESTRICTED TO -

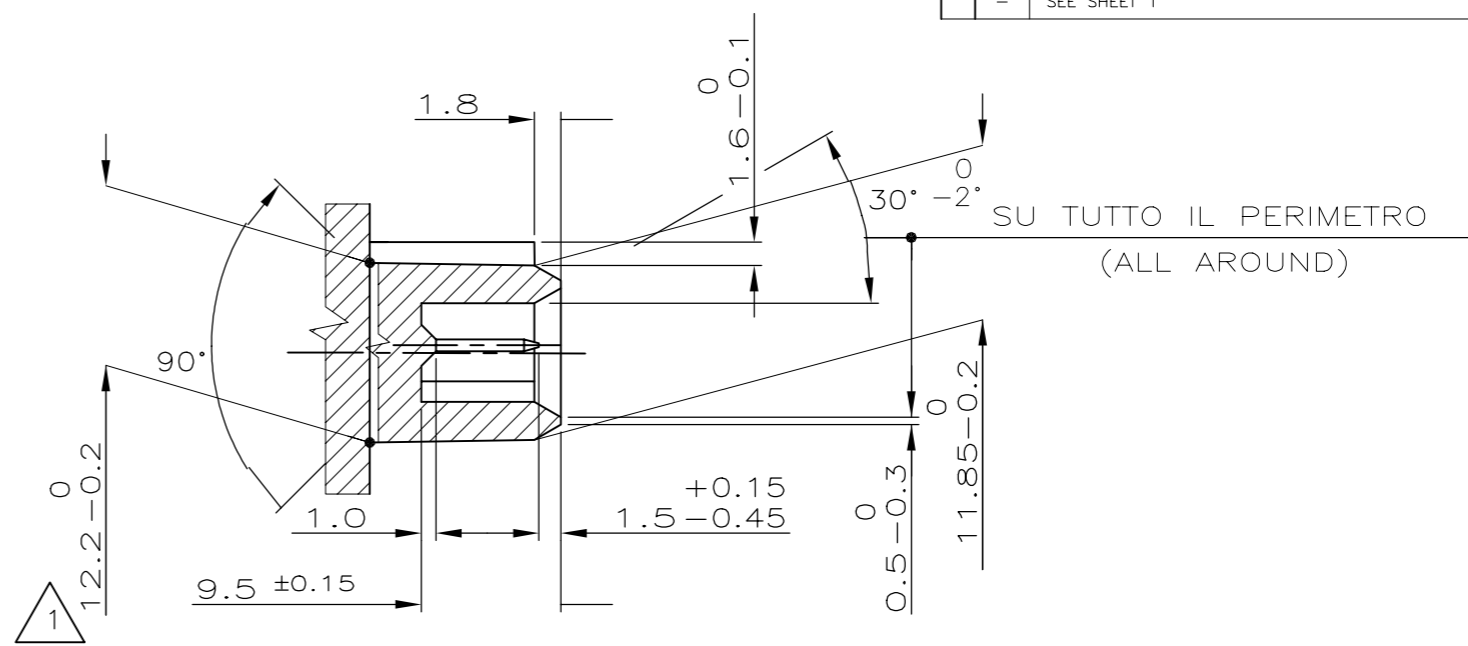
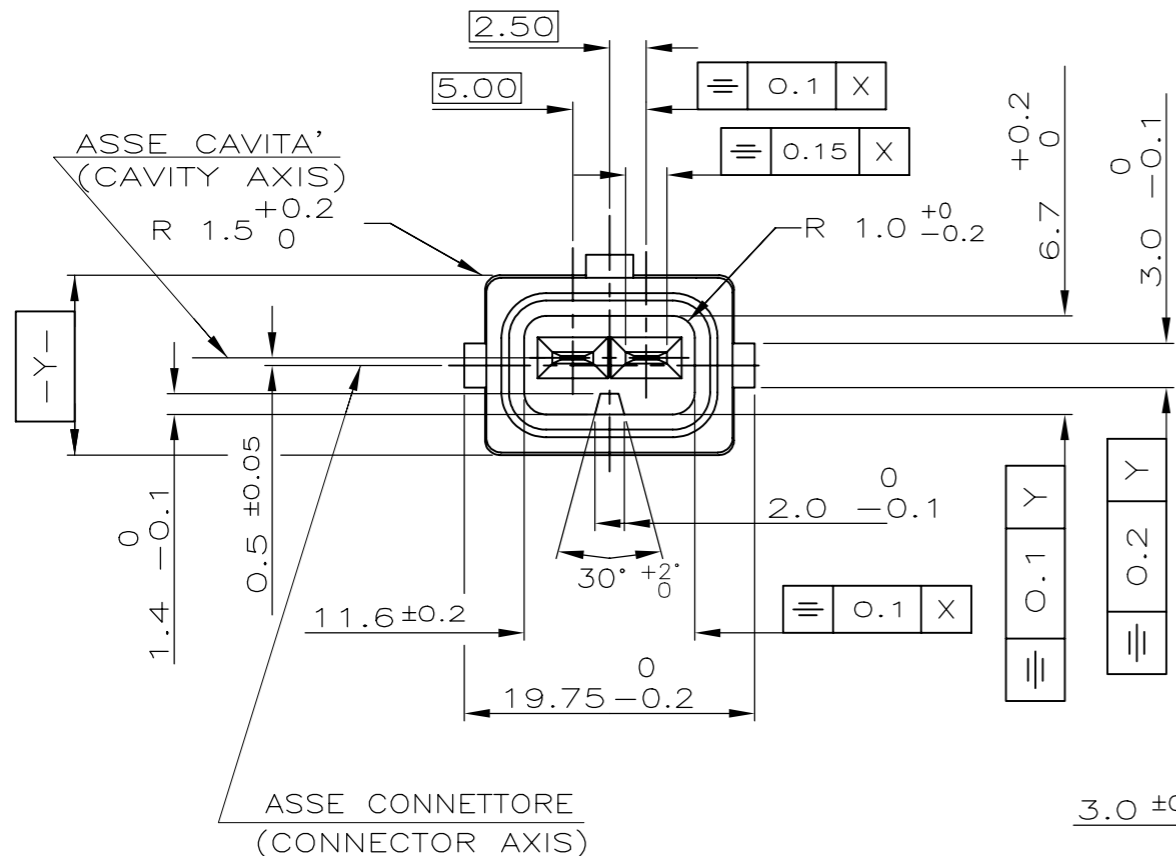
CUSTOMER DWG. FOR REFERENCE ONLY
DISEGNO PER CLIENTE SOLO PER RIFERIMENTO

| | | |
|--------|----------------------------------|-------------------------|
| METRIC | DIAM. ISOLANTE (INS. DIA. RANGE) | RANGO FILO (WIRE RANGE) |
| | 1.5-3.0mm (REDUCED INS.CABLE) | 0.5-2.5 mm ² |

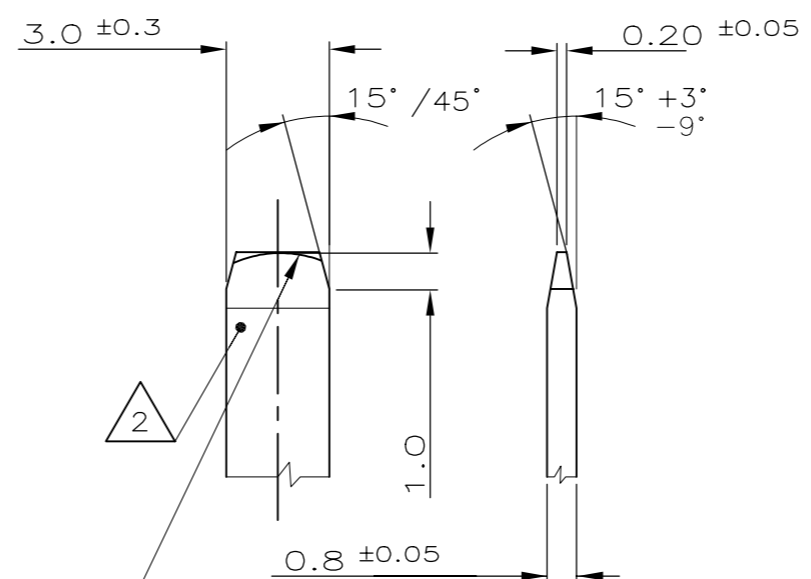
METRIC

REVISIONS

| P | LTR | DESCRIPTION | DATE | DWN | APVD |
|---|-----|-------------|------|-----|------|
| - | - | SEE SHEET 1 | - | - | - |

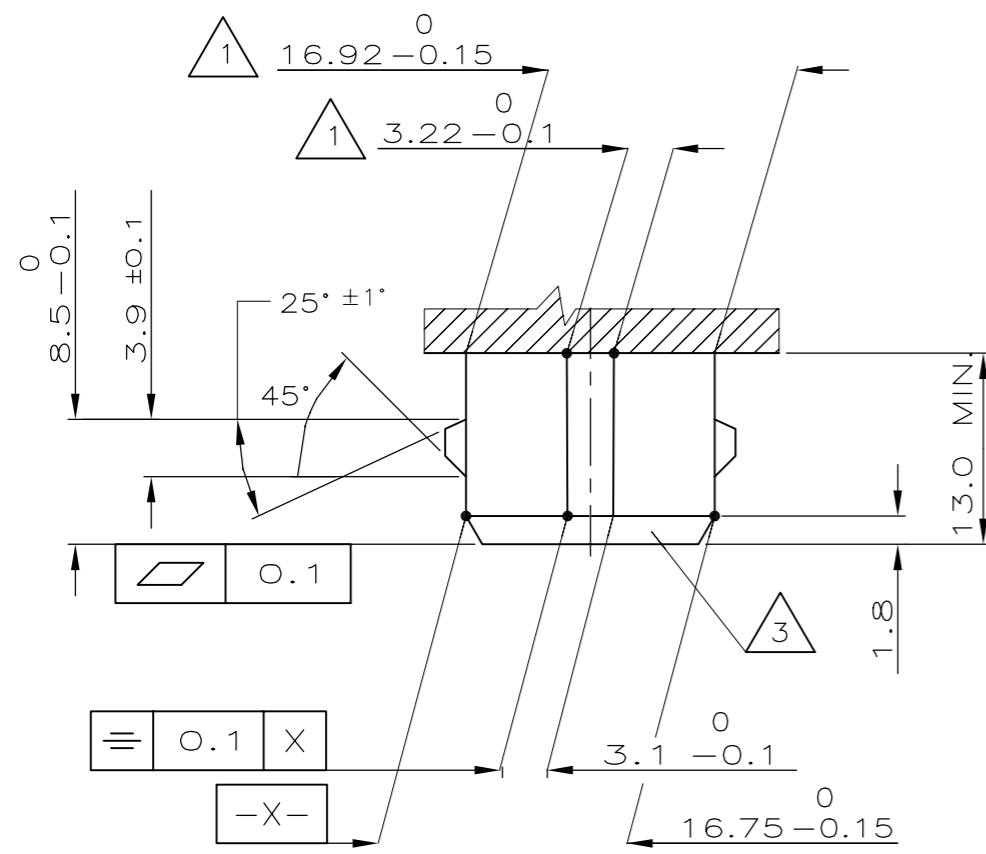


DETT. CONTATTO SC. 5:1 (TAB DETAIL SC. 5:1)

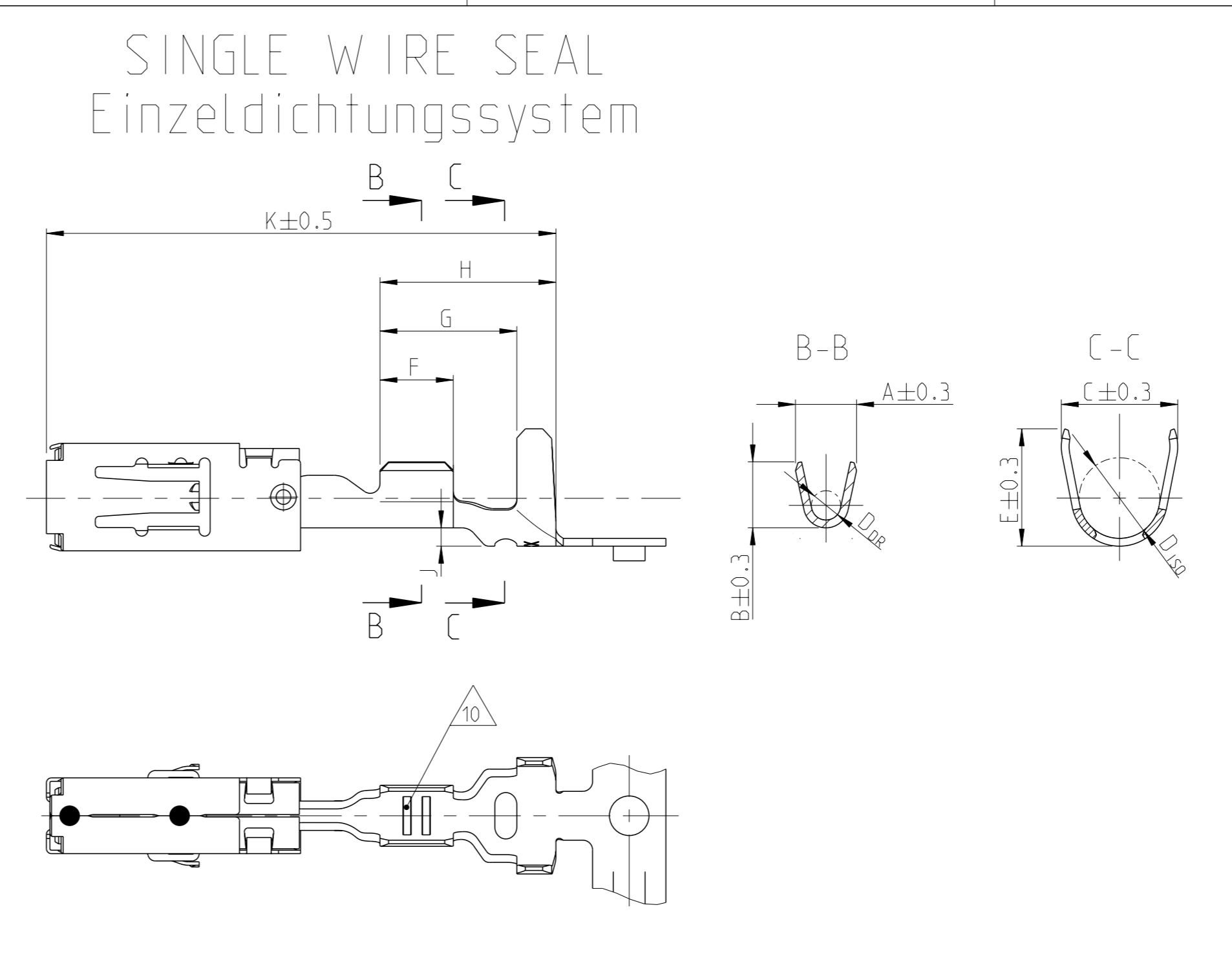
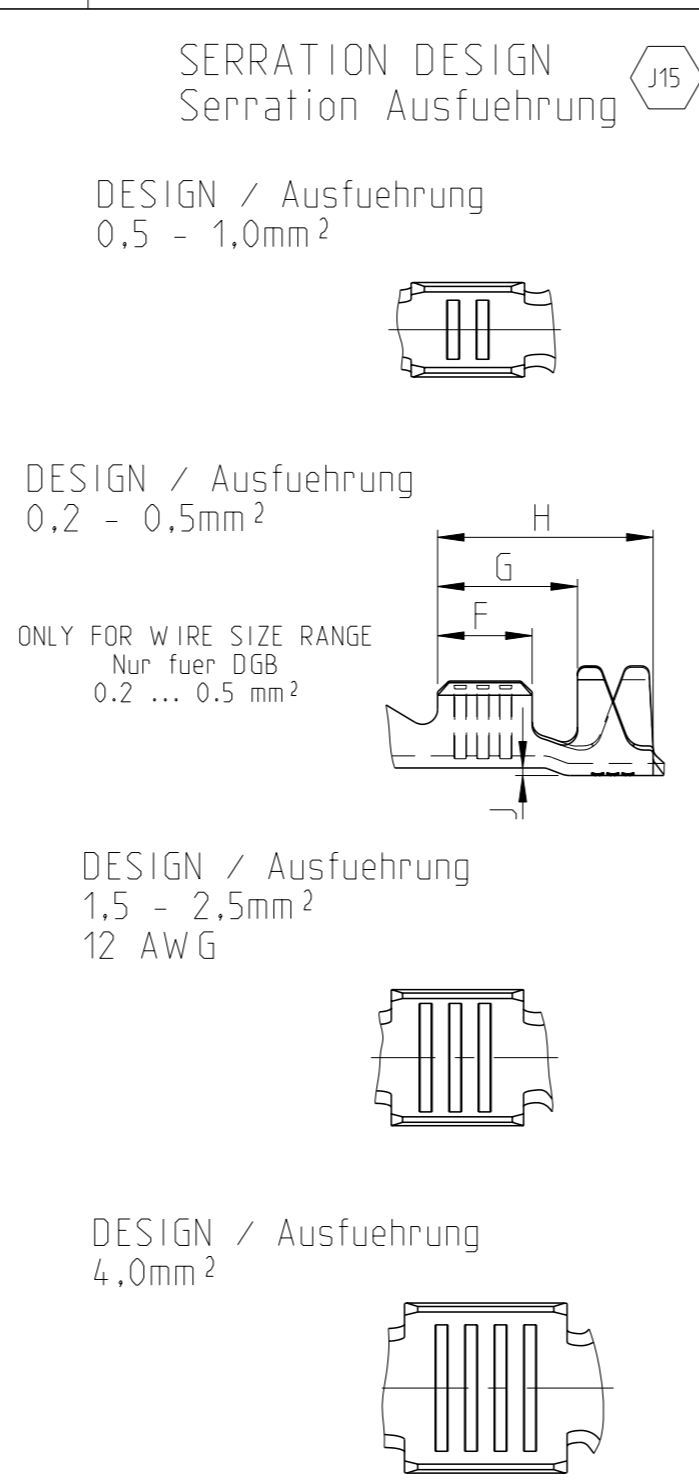
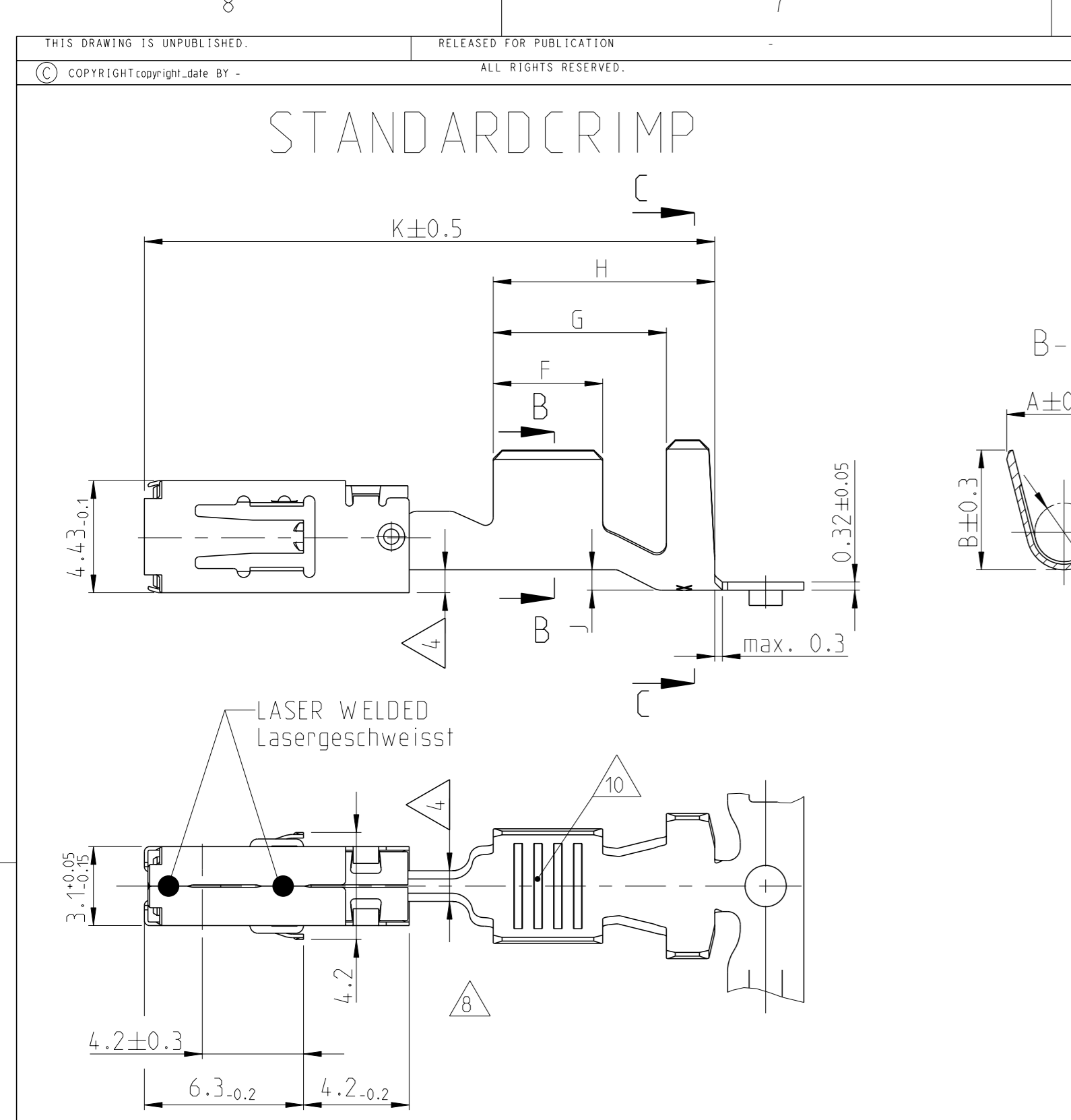


FORMA ALTERNATIVA PERMESSA CON RAGGIO (ALLOWED ALTERNATIVE PROFILE WITH RADIUS)

- 1 QUOTE APPLICABILI PER SFORMATURA PEZZO (RIGHT DIMENSIONS FOR EXTRACTION ITEM FROM THE MOULD)
- 2 MATERIALE CONTATTI: LEGA DI RAME STAGNATA, ES. OTTONE STAGNATO. (TAB MATERIAL: TINNED Cu ALLOY, E.G. TINNED BRASS)
- 3 MATERIALE BLOCCHETTO: TERMOPLASTICO CARICATO FIBRA VETRO. (HOUSING MATERIAL: THERMOPLASTIC GLASS FIBER FILLED).



| | | | | | | |
|---|--|--|--|---|----------------------|--|
| DIAM. ISOLANTE (INS. DIA. RANGE) SEE SHEET 1 | | RANGO FILO (WIRE RANGE) SEE SHEET 1 | | FINITURA / COLORE (FINISH / COLOUR) | MATERIALE (MATERIAL) | NUMERO (PART NUMBER) |
| THIS DRAWING IS A CONTROLLED DOCUMENT. | | | | CUSTOMER DWG. FOR REFERENCE ONLY | | DISEGNO PER CLIENTE SOLO PER RIFERIMENTO |
| DIMENSIONS: mm | | TOLERANCES UNLESS OTHERWISE SPECIFIED: | | TE Connectivity Ltd. | | |
| | | 0 PLC ± - | | NAME | | |
| | | 1 PLC ± 0.3 | | 2 POS.SPLASH PROOF CONN.ASS'Y with SECONDARY LOCK | | |
| | | 2 PLC ± - | | SIZE | | |
| | | 3 PLC ± - | | CAGE CODE | | |
| | | 4 PLC ± - | | DRAWING NO | | |
| | | ANGLES ± 2° | | RESTRICTED TO | | |
| MATERIAL | | FINISH | | A2 00779 C-282190 | | |
| CUSTOMER DRAWING | | | | SCALE | SHEET | REV |
| | | | | NTS | 2 of 2 | M3 |



| REVISIONS | | | | |
|-----------|-----------|--|------|------|
| # | DATE | DESCRIPTION | DATE | APPV |
| J12 | 05MAR2018 | PNs 1-968855-4, 1-968857-4, 1-968859-4 OBSOLETE ON DRW. | MAH. | BECK |
| J13 | 07MAY2018 | Added PN 2-968851-3, 2-968853-3, 2-968857-3 and 2-968859-3 | FRAN | BECK |
| J14 | 11NOV2020 | Obsolete PN 1-968882-1/-2/-3; PN 1-968880-1/-3 | FRAN | BECK |
| J15 | 14SEP2022 | PCN-22-152506 | FRAN | GRIE |

| VERSION | Ausführung | ORDER-NO. STRIP-FORM | REV | BODY | MATERIAL | SURFACE | WIRE SIZE RANGE | INSULATION DIAMETER | CRIMP DIMENSIONS / Crimpabmessungen mm | | | | | | | | | | | WEIGHT | SINGLE WIRE SEAL | TE CONNECTIVITY NO. | TE CONNECTIVITY NO. | APPLICATION TOOLS | | | | |
|---------|------------|-------------------------|-----|------|----------|---------|-----------------|---------------------|--|-----|-----------------|-----|-----|------------------|-----|-----|-----|------|------|--------|------------------|---------------------|---------------------|-------------------|--|--|--|--|
| | | | | | | | | | A | B | D _{DR} | C | E | D _{ISO} | F | G | H | J | K | | | | | | | | | |
| | | | | | | | 12 AWG | 3.0 - 3.8 | 4.0 | 4.2 | 2.0 | 5.0 | 5.0 | 3.5 | 3.5 | 5.9 | 7.5 | 0.8 | 21.0 | 0.59 | 828905-1 | 828922-1 | | | | | | |
| | | | | | | | 4 | 3.4 - 3.7 | 4.5 | 4.7 | 2.3 | 6.0 | 6.0 | 4.3 | 4.3 | 7.0 | 8.5 | 1.25 | 22.6 | 0.65 | 828985-1 | 828986-1 | | | | | | |
| | | | | | | | 1.5 - 2.5 | 2.2 - 3.0 | 3.6 | 3.8 | 1.7 | 5.0 | 5.0 | 3.5 | 3.5 | 6.0 | 7.6 | 0.8 | 21.0 | 0.58 | 828905-1 | 828922-1 | | | | | | |
| | | | | | | | 0.5 - 1.0 | 1.4 - 2.1 | 2.5 | 2.7 | 1.2 | 4.8 | 4.8 | 3.3 | 3.0 | 5.6 | 7.2 | 0.75 | 21.0 | 0.54 | 828904-1 | 828922-1 | | | | | | |
| | | | | | | | 0.2 - 0.5 | 1.2 - 1.4 | 2.4 | 2.3 | 1.0 | 4.5 | 4.5 | 3.2 | 2.5 | 5.1 | 6.7 | 0.75 | 21.0 | 0.52 | 828904-1 | 828922-1 | | | | | | |
| | | | | | | | 0.2 - 0.5 | 1.2 - 1.4 | 2.1 | 2.1 | 0.8 | 4.5 | 4.5 | 3.2 | 2.5 | 5.1 | 6.7 | 0.75 | 21.0 | 0.52 | 828904-1 | 828922-1 | | | | | | |
| | | | | | | | 4 | 2.7 - 3.7 | 4.5 | 4.7 | 2.3 | 5.7 | 5.9 | 3.3 | 4.3 | 6.8 | 8.7 | 0.8 | 22.6 | 0.65 | - | - | | | | | | |
| | | | | | | | 1.5 - 2.5 | 2.2 - 3.0 | 3.6 | 3.8 | 1.7 | 4.6 | 5.0 | 2.6 | 3.5 | 5.1 | 6.7 | 0.3 | 20.2 | 0.56 | - | - | | | | | | |
| | | | | | | | 0.5 - 1.0 | 1.4 - 2.1 | 2.5 | 2.7 | 1.2 | 3.3 | 3.5 | 1.8 | 3.0 | 4.6 | 6.2 | 0.2 | 20.2 | 0.51 | - | - | | | | | | |
| | | | | | | | 0.2 - 0.5 | 1.2 - 1.4 | 2.4 | 2.3 | 1.0 | 2.9 | 2.9 | 1.4 | 2.5 | 3.8 | 5.7 | 0.2 | 20.2 | 0.48 | - | - | | | | | | |
| | | | | | | | 0.2 - 0.5 | 1.2 - 1.4 | 2.1 | 2.1 | 0.8 | 2.9 | 2.9 | 1.4 | 2.5 | 3.8 | 5.7 | 0.2 | 20.2 | 0.48 | - | - | | | | | | |

SEE APPLICATION SPECIFICATION 114-18148
siehe Verarbeitungsspezifikation 114-18148

- NOTES:
Bemerkungen:
- MATING PART SEE INTERFACE DRAWING
TE-NO.: 114-18230-002
Gegenstecker nach Ausfuehrungsvorschrift
TE-Nr.: 114-18230-002
 - SURFACE:
- PRE TIN PLATED 1 TO 3 µm
- GOLD PLATED MIN. 2 µm (ONLY CONTACT AREA)
- SILVER PLATED 3 TO 5 µm (ONLY CONTACT AREA)
Oberflaeche:
- verzinkt 1 bis 3 µm
- vergoldet min. 2 µm (nur Kontaktzone)
- versilbert 3 bis 5 µm (nur Kontaktzone)
 - DOUBLE CRIMPS ARE ONLY POSSIBLE WITH APPLICATORS AUTHORIZED BY TE (NO HAND TOOL)
SUITABLE TOOLS ON REQUEST
Doppelanschlaege sind nur mit von TE zugelassenen Anschlagwerkzeugen moeglich (keine Handzangen)
passende Werkzeuge auf Anfrage
 - GAUGE INSPECTION
Lehrenpruefung
 - DETAILS OF DESIGN ARE LEFT TO MANUFACTURER
Einzelheiten der Ausfuehrung bleiben dem Hersteller ueberlassen
 - ONLY GERMAN LANGUAGE VERSION SHALL BE BINDING
Massgebend ist der deutsche Text
 - PUNCHING OIL RAZIOL CLF 11 SG
Stanzoeel:
 - "Ag+" MARKING ON SILVER PLATED VERSIONS FOR INCREASED LIMIT TEMPERATURE
"Ag+" Markierung auf versilberten Versionen fuer erhoehnte Grenztemperatur
 - 968880 nicht fuer Neuanwendungen, wird ersetzt durch 2141857
968882 nicht fuer Neuanwendungen, wird ersetzt durch 2141859
968880 SUPERSEDED BY PN 2141857
968882 SUPERSEDED BY PN 2141859
 - Unterschiedliche Ausfuehrung und Anzahl der SERRATIONS
DIFFERENT FORM AND NUMBER OF THE SERRATIONS POSSIBLE

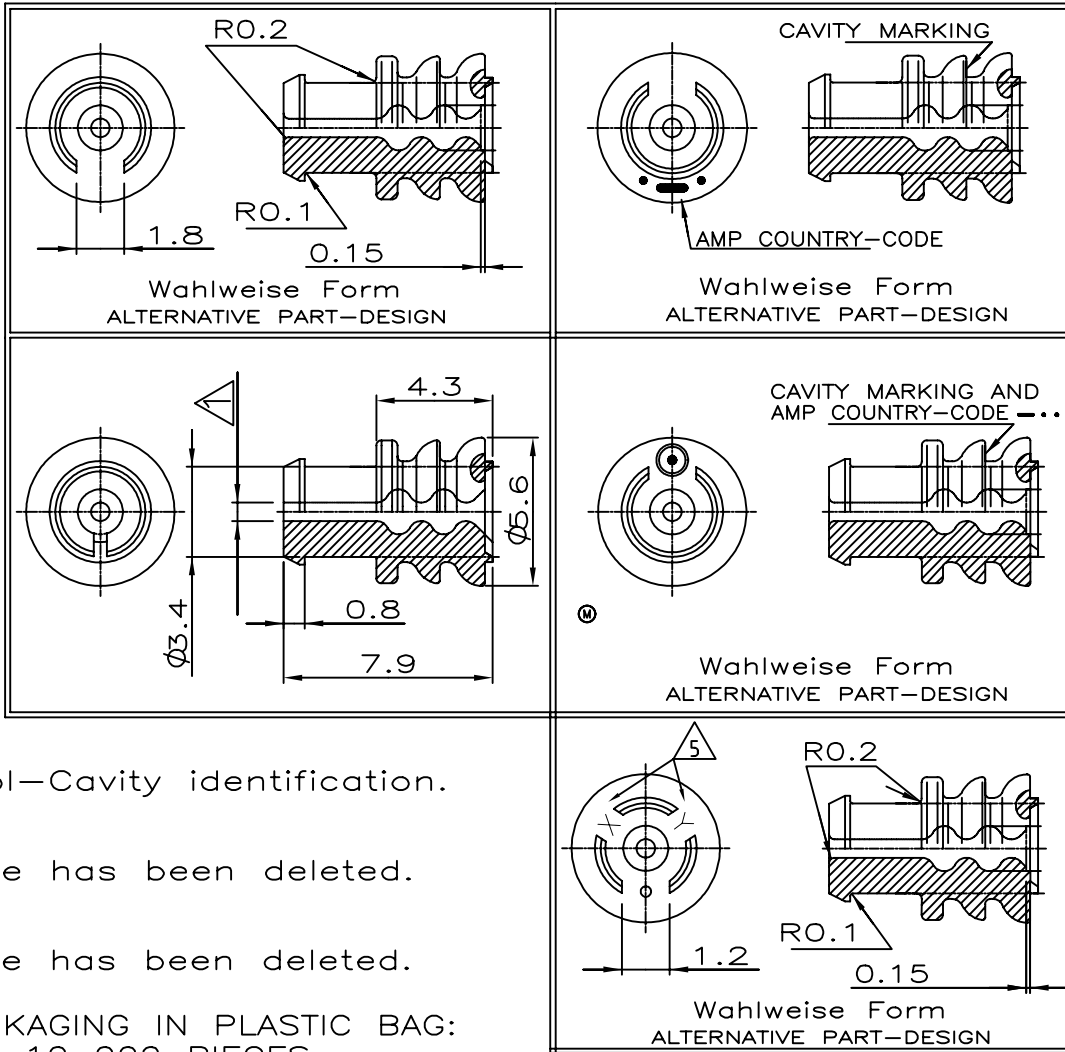
| | | | | | |
|---|--|------------------|---------|--------------------------------|--|
| THIS DRAWING IS A CONTROLLED DOCUMENT. | | OWN S. Blidar | ZZSEP97 | TE Connectivity | |
| DIMENSIONS: mm | | CHK G. Hotea | ZZSEP97 | NAME | |
| TOLERANCES UNLESS OTHERWISE SPECIFIED: ±0.2 | | APPV J. Woller | ZZSEP97 | PRODUCT SPEC | |
| MATERIAL | | APPLICATION SPEC | | SIZE | |
| | | 114-18148 | | CAGE CODE DRAWING NO | |
| | | WEIGHT | | RESTRICTED TO | |
| | | CUSTOMER DRAWING | | SCALE 5:1 SHEET 1 OF 1 REV J15 | |

| | |
|---------------|------------|
| NUMMER | 828904 |
| VERWENDET FÜR | |
| WAR NR. | 87-9398-50 |

ÄNDERUNGEN, DIE DEM
TECHNISCHEN FORT-
SCHRITT DIENEN, BE-
HALTEN WIR UNS VOR

| REVISIONS | | | | |
|-----------|-----|--------------------------------|-----------|-------|
| P | LTR | DESCRIPTION | DATE | APVD |
| | M5 | Alternate CAV.ID format added. | 11NOV2025 | BV GB |

M 1:1



- 5 Tool-Cavity identification.
- 4 Note has been deleted.
- 3 Note has been deleted.
- 2 PACKAGING IN PLASTIC BAG:
QTY 10 000 PIECES
- 1 Für Isolationsø 1.2-2.1 mm

TE Connectivity. All Rights Reserved.

| | | | | |
|----------|---|---|--|----------|
| 828904-3 | 4 | M | SILICON SHORE A 50 ⁺ lubriziert | hellblau |
| 828904-2 | 3 | M | | |
| 828904-1 | 2 | M | | |

CAD-ORIGINAL
ZEICHNUNG NICHT ÄNDERN

| | | | | | | | | |
|---|-------------|-----|-----------------------|---------------------|---------------------------|-----------|------------|---------------|
| Ⓢ | BESTELL-NR. | REV | WERKSTOFF | OBERFLÄCHE FARBE | ZEICHNUNG GÜLTIG AB | | | |
| DIMENSIONS: mm | | | DWN H.Bouda | 16 MAY 88 | MATERIAL | FINISH | | |
| TOLERANCES UNLESS OTHERWISE SPECIFIED: | | | CHK W. PFEFFER | 17 MAY 88 | TE Connectivity | | | |
| 0 PLC ± - 1 PLC ± 0.3 2 PLC ± - 3 PLC ± - 4 PLC ± - ANGLES ± - | | | APVD - | - | | | | |
| | | | PRODUCT SPEC - | | SIZE | CAGE CODE | DRAWING NO | RESTRICTED TO |
| | | | APPLICATION SPEC - | | A4 | 00779 | Ⓒ-828904 | - |
| | | | WEIGHT 0,000000 | | SCALE 5:1 | | | SHEET 1 OF 1 |
| | | | CUSTOMER DRAWING | | REV M5 | | | |