

# M 284716-1K



MINIKIT

*Proseguire nella pagina successiva per visualizzare la scheda tecnica dei componenti*

Revisione	Prodotto
REV.00 10/04/2026	OEM

THIS DRAWING IS UNPUBLISHED.  
QUESTO DISEGNO NON DEVE ESSERE DIVULGATO O RIPRODOTTO

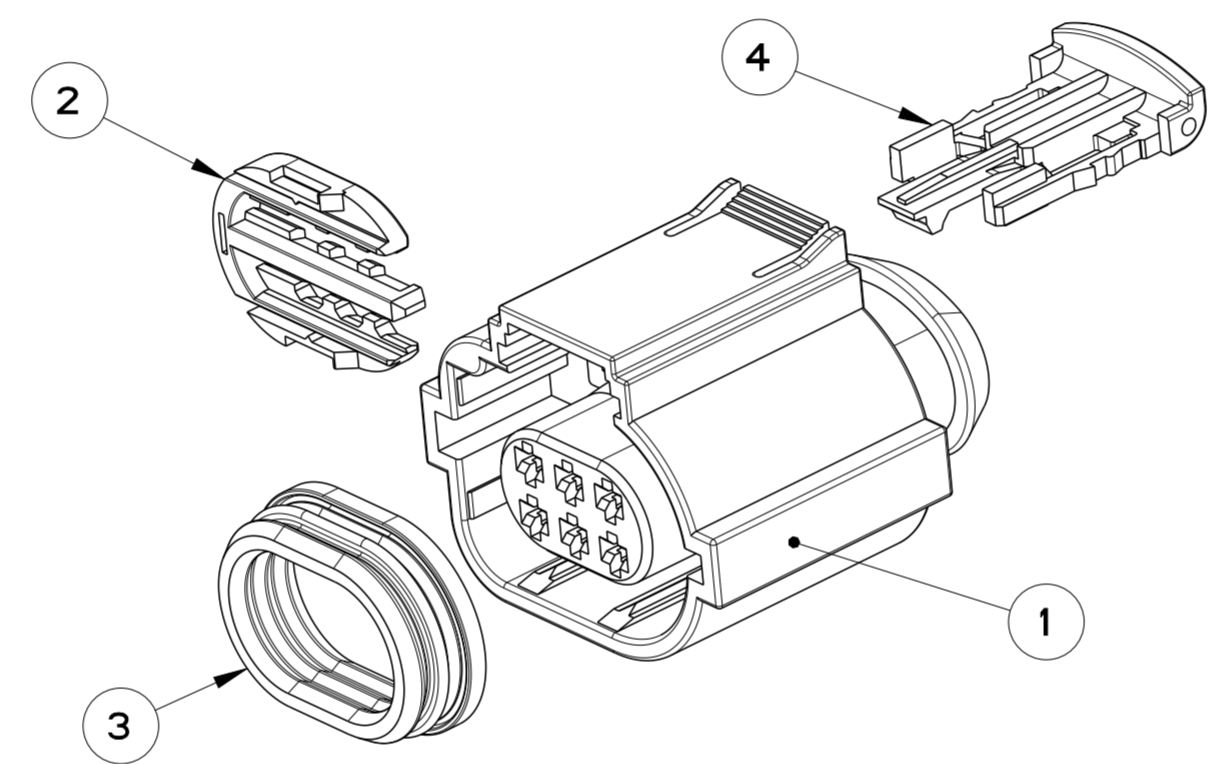
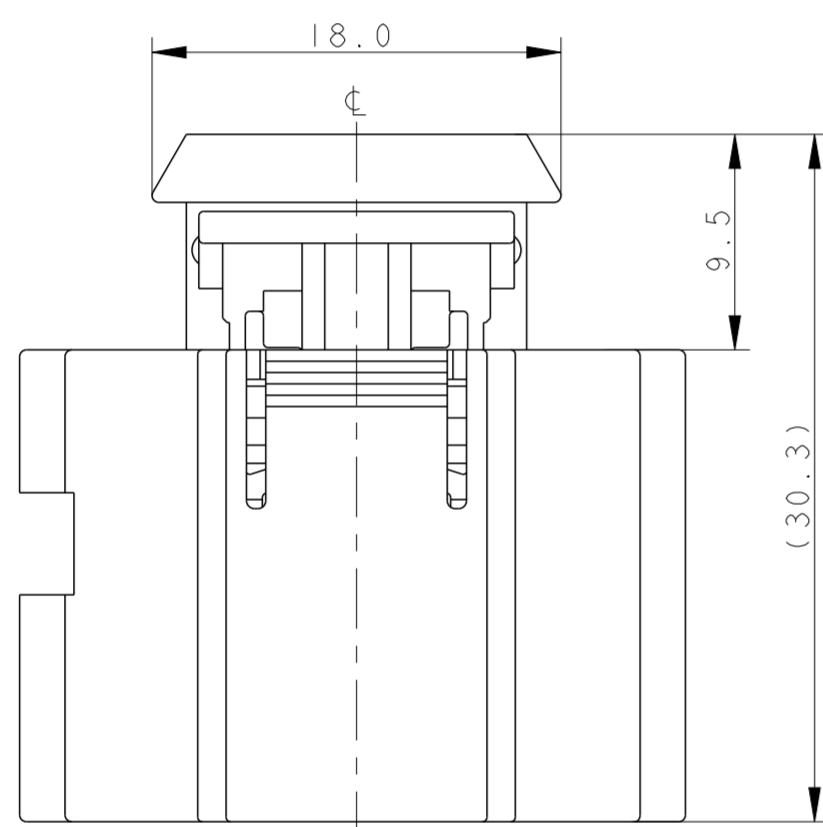
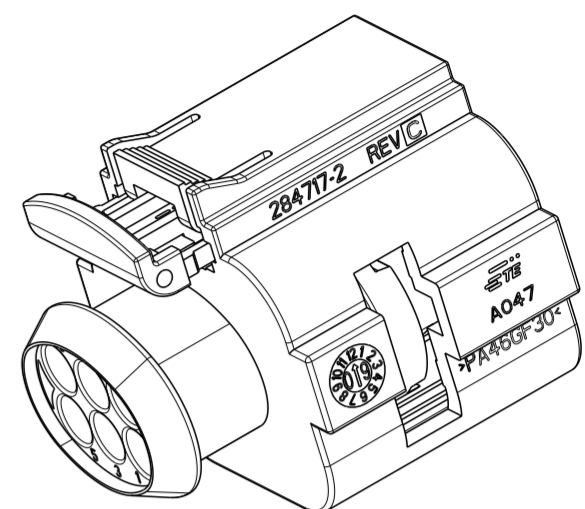
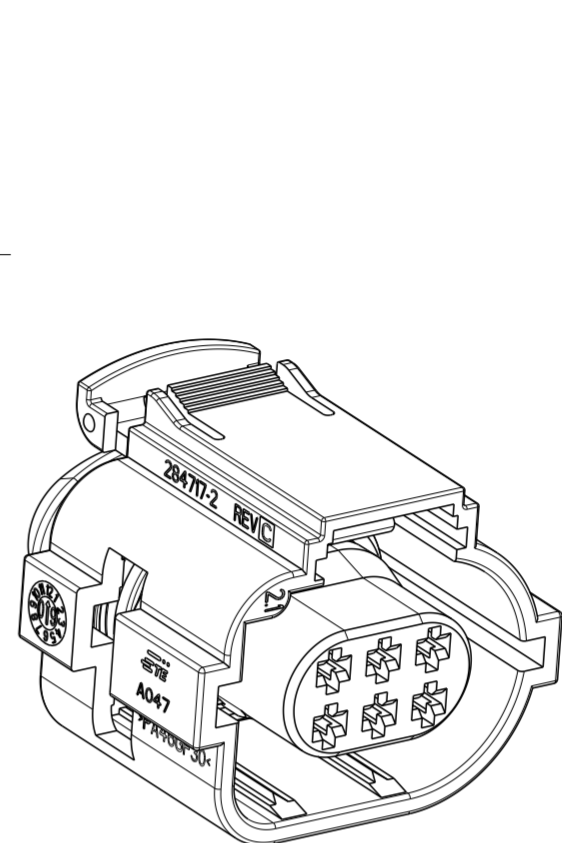
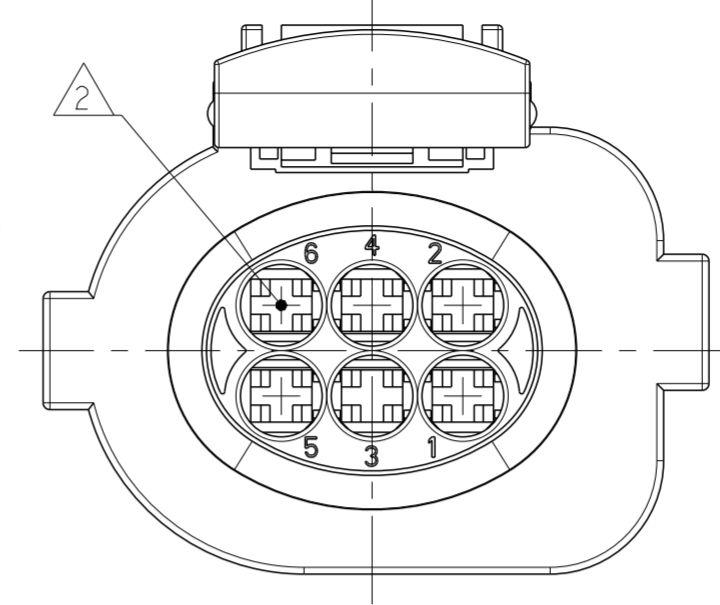
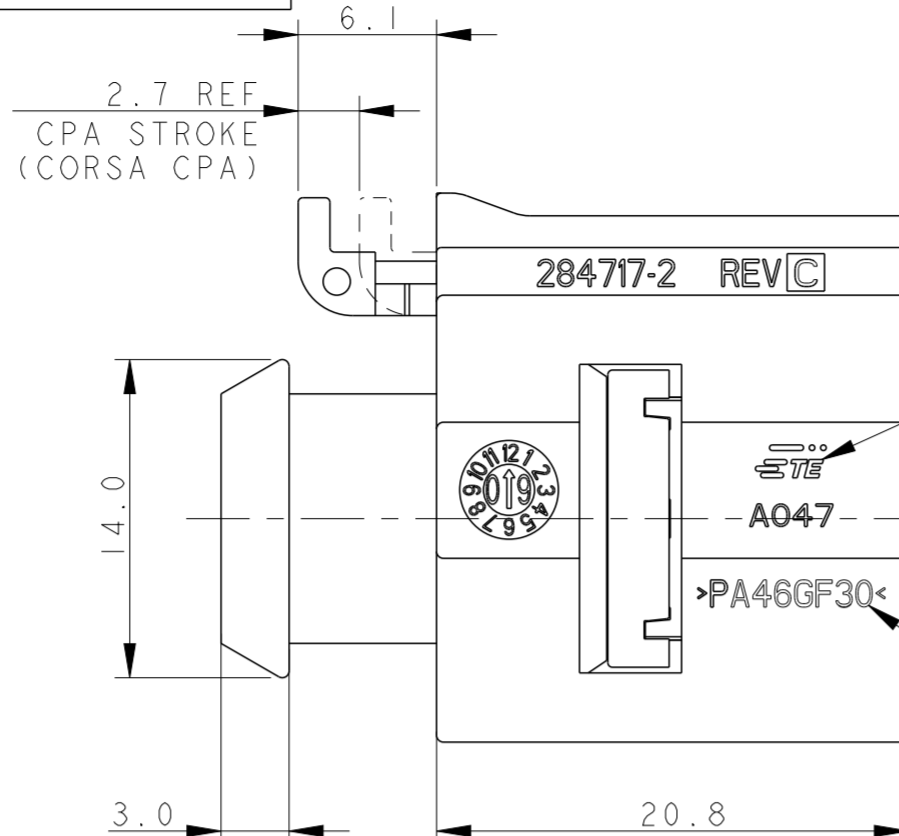
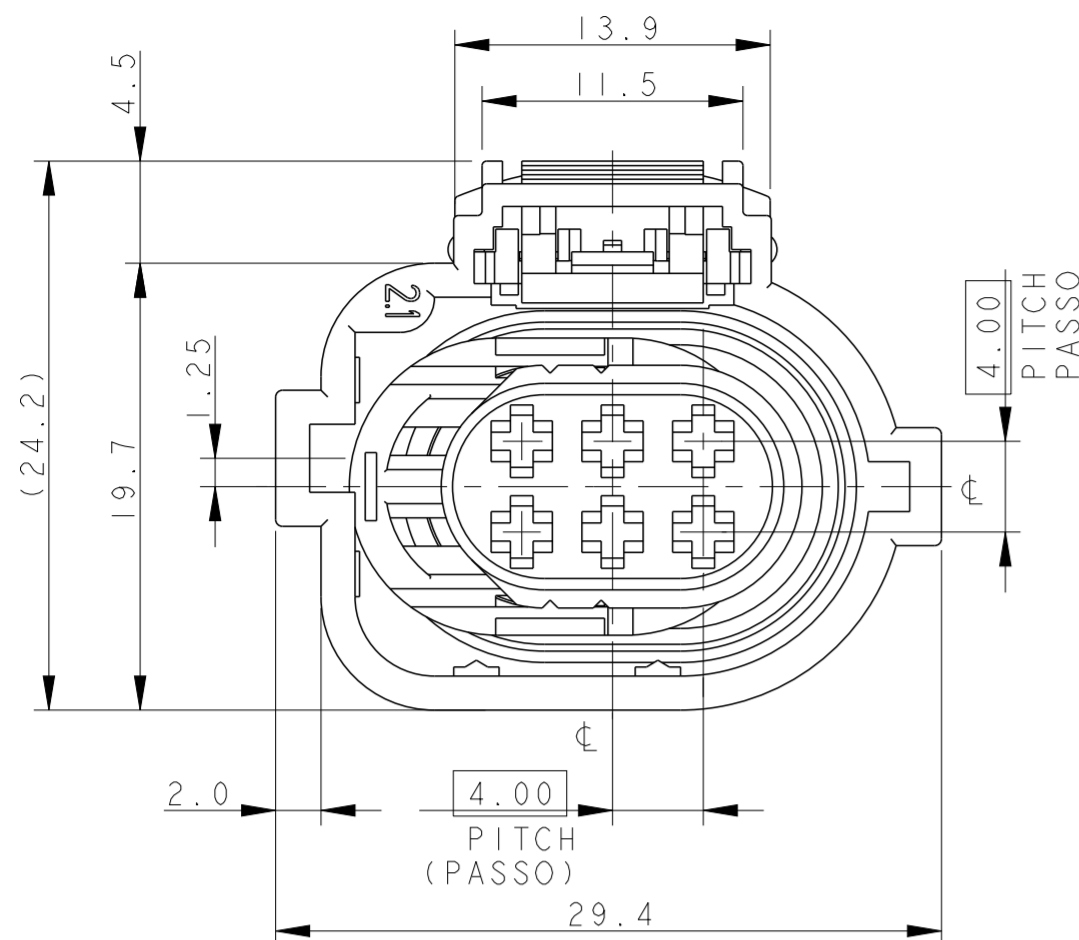
RELEASED FOR PUBLICATION  
E' CONSENTITA LA DIVULGAZIONE

2000

ALL RIGHTS RESERVED.  
TUTTI I DIRITTI SONO RISERVATI

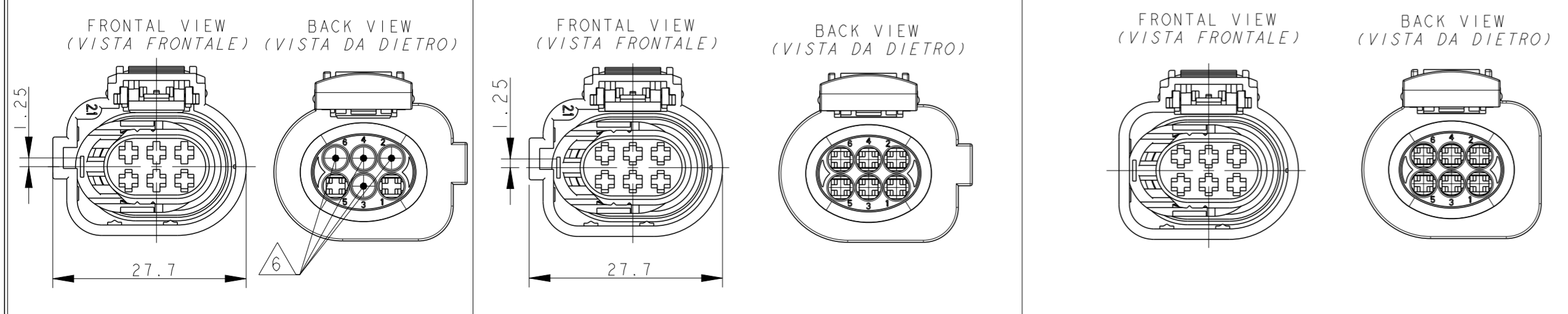
© COPYRIGHT 2000

LOC		DIST		REVISIONS			
P	LTR	REV	DESCRIPTION	DATE	DWN	APVD	APP.
DESCRIZIONE				DATA	DIS.		
	D4		ADDED -7 VERSION (ECO-17-014569)	05OCT2017	M.G.	M.G.	
	D5		REVISED PER ECO-18-005949	18DEC2017	AP	MG	



- 1) FEMALE CONNECTOR SUPPLIED WITH SECONDARY LOCK AND C.P.A. PRE-ASSEMBLED (CONNETTORE PORTAFEMMINE FORNITO CON SECONDARY LOCK E C.P.A. PRE-MONTATI)
- 2) CAVITIES SUITABLE FOR MICRO TIMER II STD. P/N 962876 WIRE RANGE: 0.50+1.0 mm<sup>2</sup> AND TYPE A CONTACTS ACC. TO PRODUCT GROUP DRAWING 1355045 (WIRE RANGE: 0.50+1.0 mm<sup>2</sup>) SINGLE WIRE SEAL P/N 964971-1 (0.50 mm<sup>2</sup>), P/N 963530-1 (0.75 mm<sup>2</sup>) AND P/N 964972-1 (1.0 mm<sup>2</sup>). CAVITY PLUG P/N 963531-1. (CAVITA' ADATTE PER CONTATTI MICRO TIMER II STD. P/N 962876 SEZ. FILO: 0.50+1.0 mm<sup>2</sup> E TIPO A IN ACCORDO AL DISEGNO DI GRUPPO 1355045 (SEZ. FILO: 0.50+1.0 mm<sup>2</sup>) GOMMINO P/N 964971-1 (0.50 mm<sup>2</sup>), P/N 963530-1 (0.75 mm<sup>2</sup>) E P/N 964972-1 (1.0 mm<sup>2</sup>). TAPPO CAVITA' P/N 963531-1).
- 3) FOR COUNTERPART INTERFACE DRAWING SEE SHEET 2 OF 2 (PER IL DISEGNO DELLA CONTROPARTE DI INTERFACCIA, VEDI FOGLIO 2 DI 2)
- 4) MATERIAL AND COLOUR FOR 284716-2: PA4.6 GF30, BLACK MATERIAL AND COLOUR FOR 1-284716-2: PBT GF30, BLACK MATERIAL AND COLORS OTHER DASHES: SEE TABLE (MATERIALE E COLORI ALTRE BARRER: VEDERE TABELLA)
- 5) TYCO ELECTRONICS TRADEMARK (OR, IN ALTERNATIVE, *tyco*)

<b>P/N 284716-1 REV. D</b> 4 HOUSING COLOUR: GREY; MATERIAL: PA 4.6 GF 30 6 PLUGGED CAVITIES (Nr. 2-3-4-6) (CAVITA' TAPPATE Nr. 2-3-4-6) <b>P/N 1-284716-1 REV. D</b> 4 HOUSING COLOUR: GREY; MATERIAL: PBT GF 30 6 PLUGGED CAVITIES (Nr. 2-3-4-6) (CAVITA' TAPPATE Nr. 2-3-4-6)	<b>P/N 284716-3 REV. D</b> 4 HOUSING COLOUR: BROWN; MATERIAL: PA 4.6 GF 30 <b>P/N 284716-5 REV. D</b> 4 HOUSING COLOUR: GREY; MATERIAL: PA 4.6 GF 30 <b>P/N 284716-7 REV. D</b> 4 HOUSING COLOUR: BLACK; MATERIAL: PA 4.6 GF 30	<b>P/N 1-284716-3</b> 4 HOUSING COLOUR: BROWN; MATERIAL: PBT GF 30 <b>P/N 1-284716-5 REV. D</b> 4 HOUSING COLOUR: GREY; MATERIAL: PBT GF 30 <b>P/N 1-284716-7 REV. D</b> 4 HOUSING COLOUR: BLACK; MATERIAL: PBT GF 30	<b>P/N 284716-4 REV. D</b> 4 HOUSING COLOUR: BLACK; MATERIAL: PA 4.6 GF 30 <b>P/N 284716-6 REV. D</b> 4 HOUSING COLOUR: BLACK; MATERIAL: PA66 G.F 30. 3 TE CONNECTIVITY COUNTERPART: P/N 1565597-1	<b>P/N 1-284716-4 REV. D</b> 4 HOUSING COLOUR: BLACK; MATERIAL: PBT GF 30
---	--	--	--	--



**P/N 284716-2 / 1-284716-2 REV. D AS SHOWN**

ITEM	DESCRIPTION (DESCRIZIONE)	MATERIAL (MATERIALE)	COLOUR (COLORE)	Q.TY (Q.TA')
1	HOUSING (BLOCCHETTO)	4	4	1
2	SECONDARY LOCK (AGGANCIO SECONDARIO)	PA66 G.F 30	RED (ROSSO)	1
3	PERIPHERAL SEAL (GUARNIZIONE)	LSR (GOMMA SILICONICA)	RED (ROSSO)	1
4	C.P.A.	PA66 G.F 13	YELLOW (GIALLO)	1

THIS DRAWING IS A CONTROLLED DOCUMENT. QUESTO DISEGNO È UN DOCUMENTO DI PROPRIETÀ E RESPONSABILITÀ DELL'AMP INCORPORATED, È SOGGETTO A VARIAZIONI. PER OTTENERE L'ULTIMA REVISIONE DEL DISEGNO CONTATTARE L'UFFICIO TECNICO RESPONSABILE.

DWN/DIS: M. SARDI 24NOV2000  
CHK/CONT: O. CANUIO 24NOV2000

DIMENSIONS: DIMENSIONI: (MM)

TOLERANCES UNLESS OTHERWISE SPECIFIED: TOLLERANZE: SE NON DIVERSAMENTE SPECIFICATO

0 PLC/DEC: ±0.5  
1 PLC/DEC: ±0.3  
2 PLC/DEC: ±0.1  
3 PLC/DEC: ±0.1  
4 PLC/DEC: ±0.1

ANGLES/ANGOLI: ±1°

FINISH FINITURA

SEE TABLE

SEE TABLE

PRODUCT SPEC SPEC DI PRODOTTO: 108-20230

APPLICATION SPEC SPEC DI APPLICAZIONE: 411-20068

WEIGHT PESO: -

CUSTOMER DRAWING DISEGNO PER CLIENTE SOLO PER RIFERIMENTO

SCALE SCALA: 3:1

SHEET FOGLIO: 1 OF DI: 2

REV: D5

NAME NOME: -

SIZE: A2

CAGE CODE: 0779

DRAWING NO. NUMERO: C-284716

RESTRICTED TO: -

TE Connectivity

6 POS. MTII RECEPTACLE CONNECTOR ASSEMBLY (CONNETTORE 6 VIE PER CONTATTI MT-II)

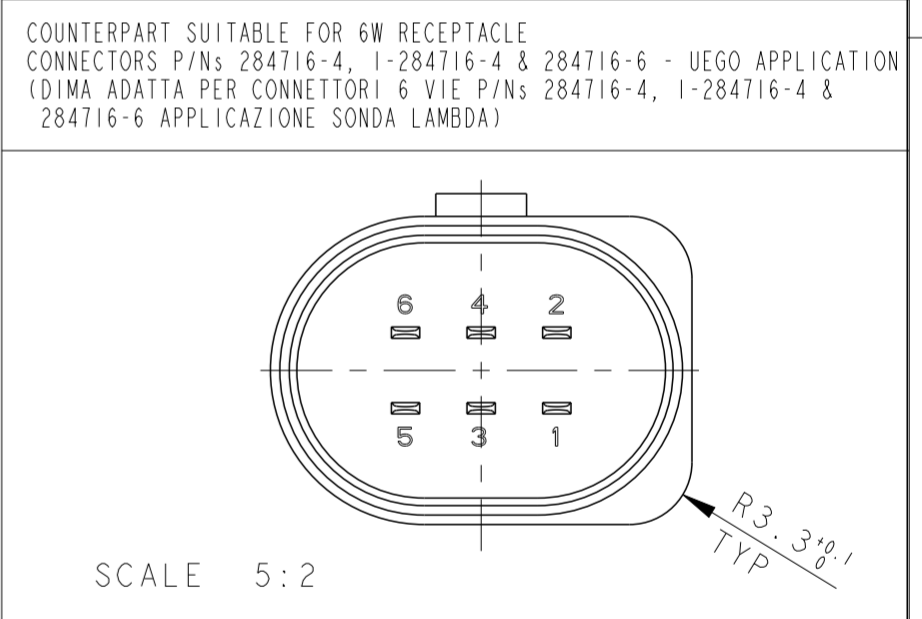
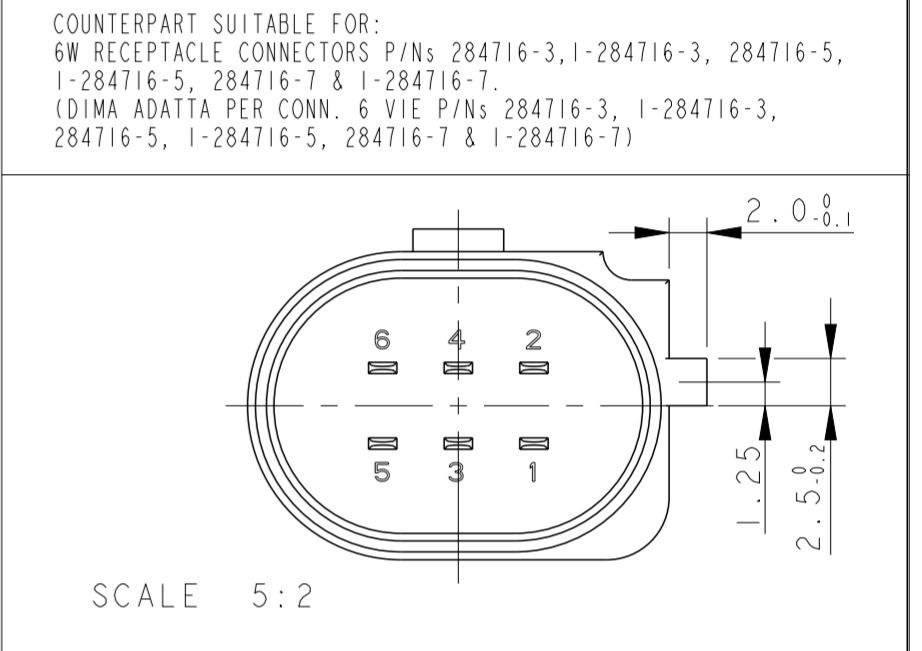
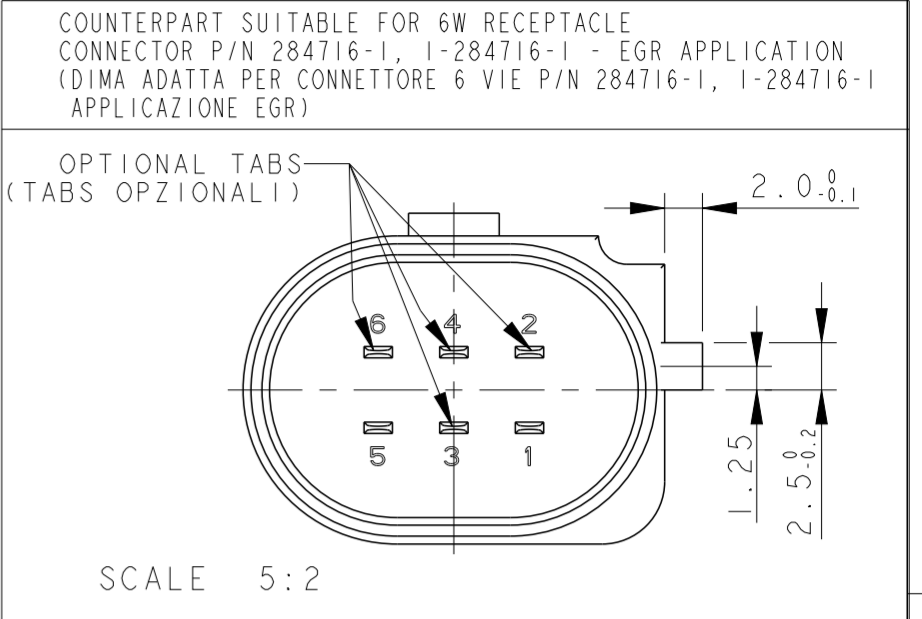
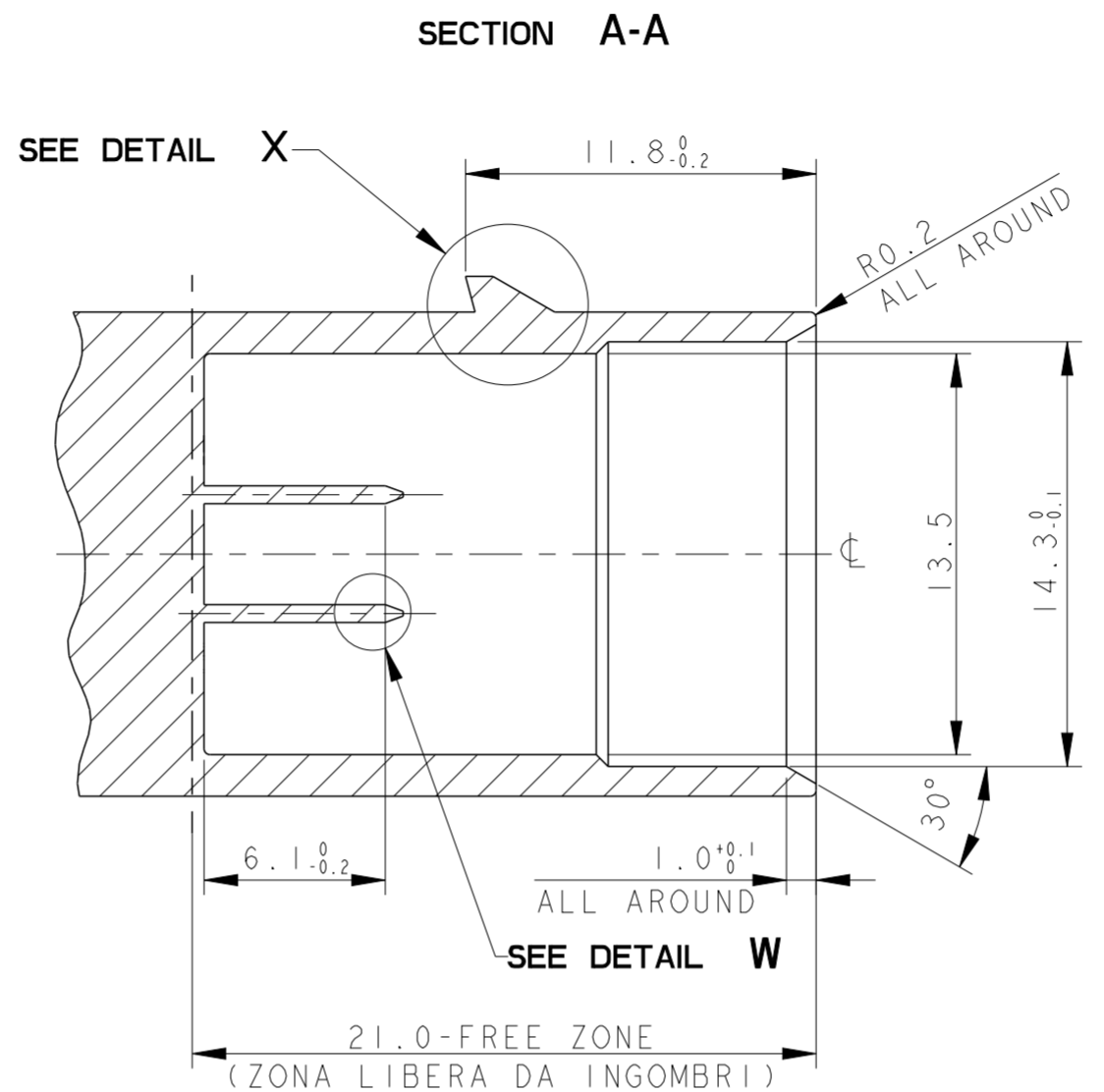
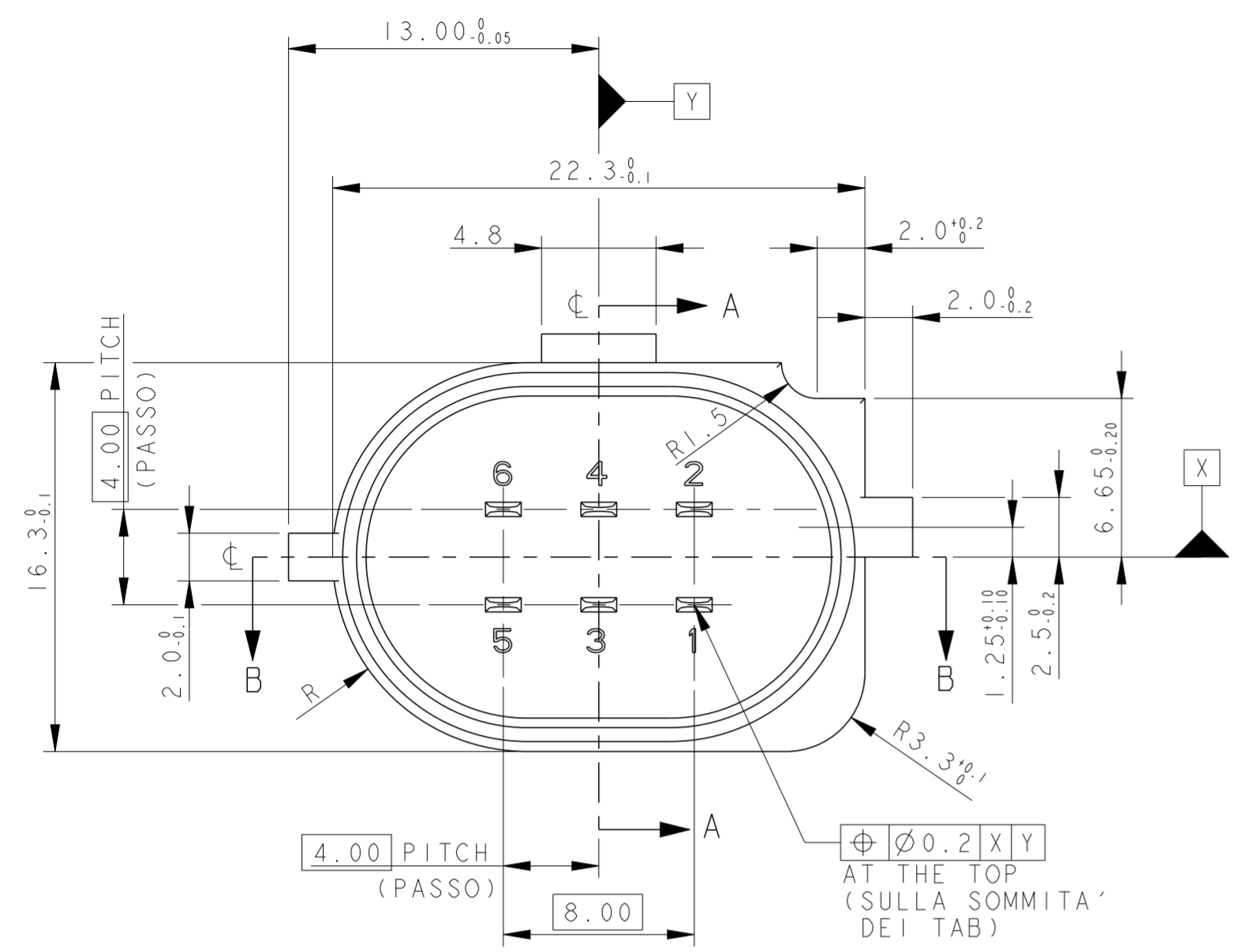
THIS DRAWING IS UNPUBLISHED.  
 QUESTO DISEGNO NON DEVE ESSERE DIVULGATO O RIPRODOTTO

RELEASED FOR PUBLICATION  
 E' CONSENTITA LA DIVULGAZIONE

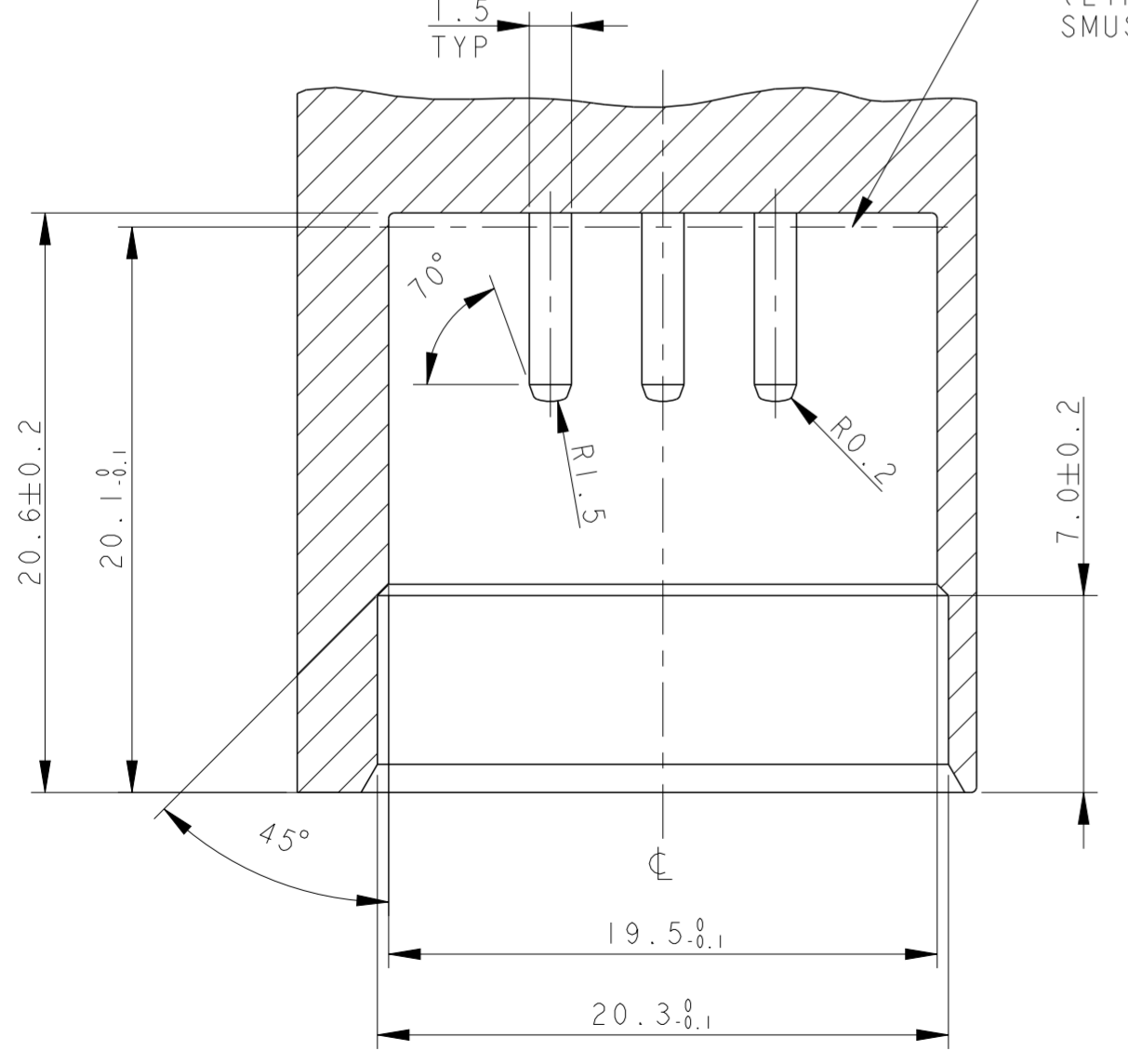
2000

ALL RIGHTS RESERVED.  
 TUTTI I DIRITTI SONO RISERVATI

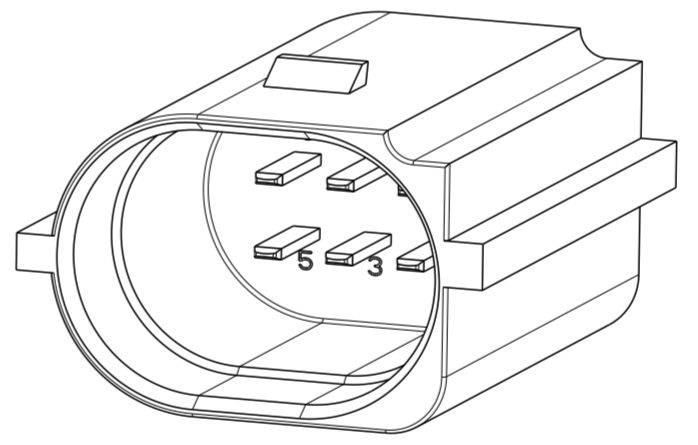
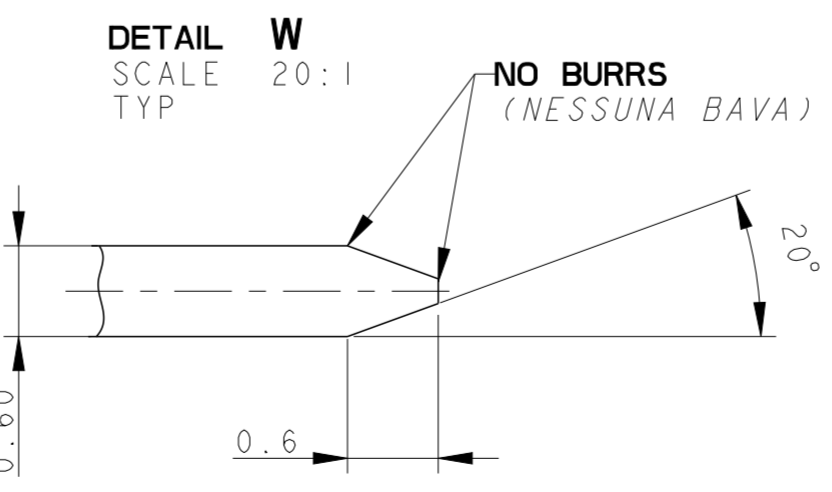
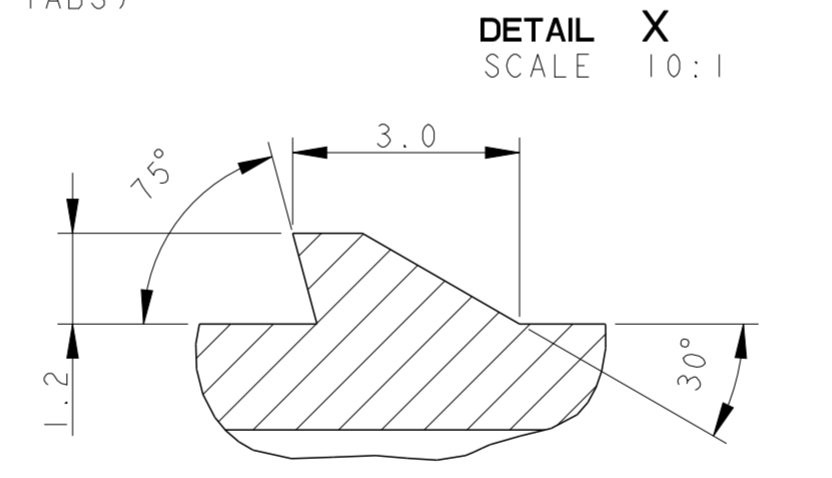
LOC	DIST	P	LTR	REV	REVISIONS REVISIONI	DATE DATA	DWN DIS.	APVD APP.
A1	-				SEE SHEET 1			



SECTION B-B



UPPER LIMIT FOR PLASTIC CHAMFERS AROUND THE TABS BASE (LIMITE SUPERIORE PER EVENTUALI SMUSSI ALLA BASE DEI TABS)



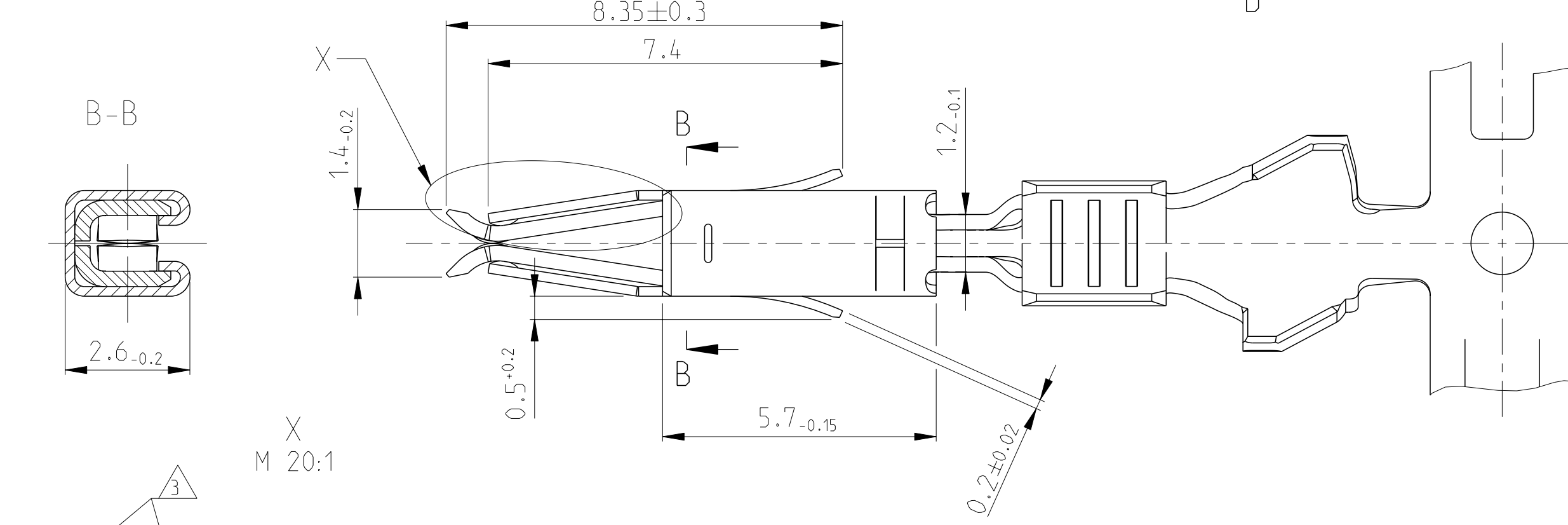
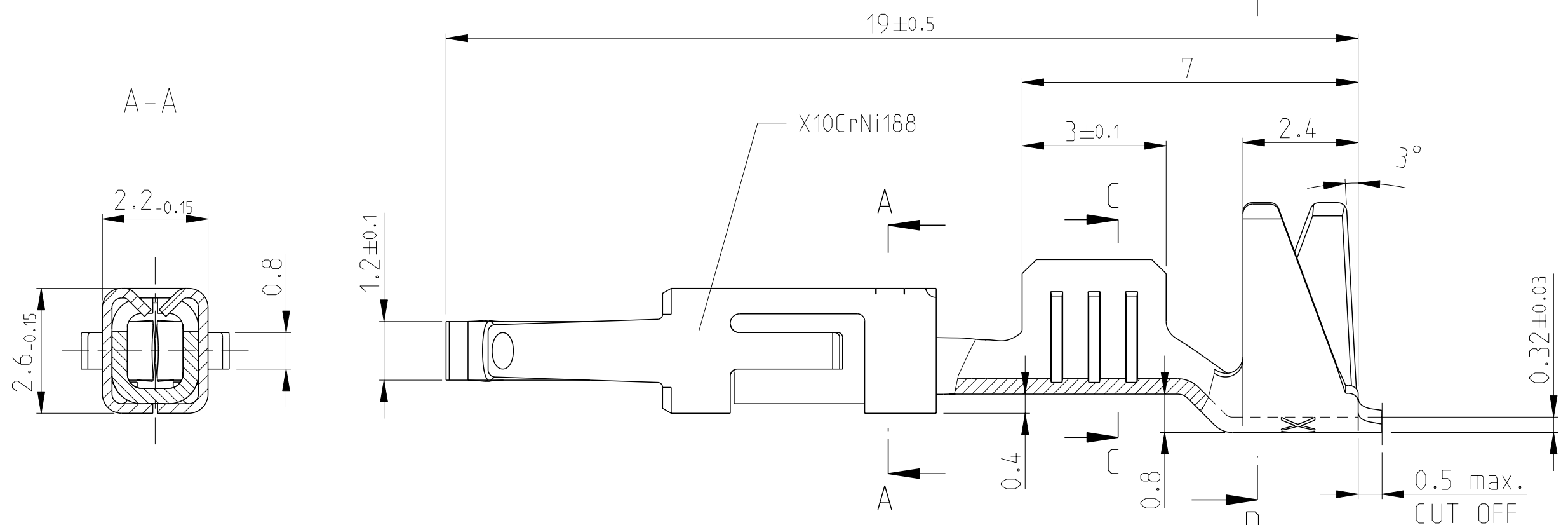
1) COUNTERPART SUITABLE FOR 6W RECEPTACLE HOUSING FOR MT2 CNT FOR THROTTLE VALVE P/N 284716-2, 1-284716-2 AS SHOWN (DISEGNO DIMA ADATTA PER CONNETTORE 6W PER CONTATTI MT2 PER VALVOLA FARFALLATA P/N 284716-2, 1-284716-2)

2) MATERIALS (MATERIALI):  
 BODY: PLASTIC MATERIAL SUITABLE FOR 140°C TEMPERATURE (CORPO: MATERIALE PLASTICO ADATTO AD UNA TEMPERATURA DI 140°C)  
 TABS: BRONZE (CuSn6) WITH 0.8µm MIN. GOLD OVER 2µm MIN. NICKEL (LINGUETTE: BRONZO CON 0.8µm MIN. DI ORO SU 2µm MIN. DI NICKEL)

THIS DRAWING IS A CONTROLLED DOCUMENT. QUESTO DISEGNO È UN DOCUMENTO DI PROPRIETÀ E RESPONSABILITÀ DELL'AMP INCORPORATED, E' SOGGETTO A VARIAZIONI. PER OTTENERE L'ULTIMA REVISIONE DEL DISEGNO CONTATTARE L'UFFICIO TECNICO RESPONSABILE.		DWN/DIS. M. SARDI 24NOV2000	TE Connectivity	
DIMENSIONS: DIMENSIONI: (MM)		CHK/CONT. O. CANUTO 24NOV2000		
TOLERANCES UNLESS OTHERWISE SPECIFIED: TOLLERANZE: SE NON DIVERSAMENTE SPECIFICATO		APVD/APP. -	NAME NONE	
0 PLC/DEC: ±0.5 1 PLC/DEC: ±0.3 2 PLC/DEC: ±0.1 3 PLC/DEC: ± 4 PLC/DEC: ± ANGLES/ANGOLI ±1°		PRODUCT SPEC SPEC DI PRODOTTO 108-20230	6 POS. MT11 RECEPTACLE CONNECTOR ASSEMBLY (CONNETTORE 6 VIE PER CONTATTI MT-11)	
MATERIAL FINISH FINITURA		APPLICATION SPEC SPEC DI APPLICAZIONE 411-20068	SIZE A2	RESTRICTED TO -
2		WEIGHT PESO -	CAGE CODE C-284716	NUMERO
CUSTOMER DRAWING		DISEGNO PER CLIENTE SOLO PER RIFERIMENTO	SCALE SCALA 3:1	SHEET FOLGIO 2 OF DI 2

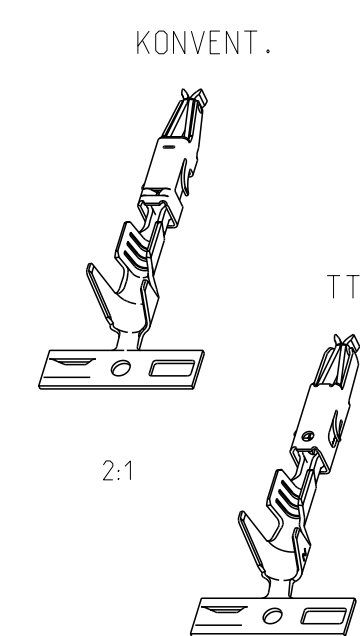
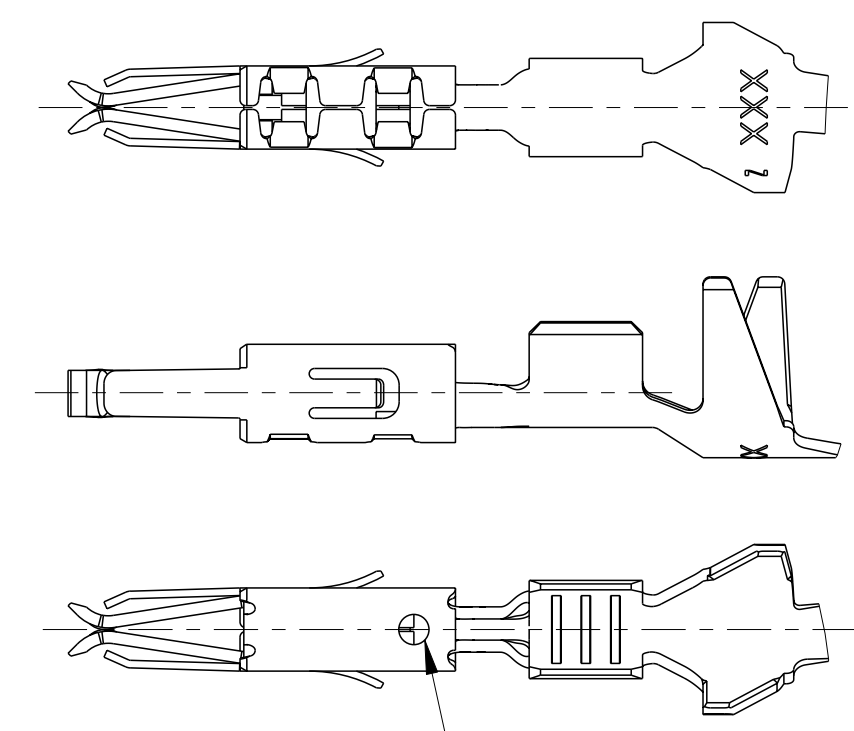
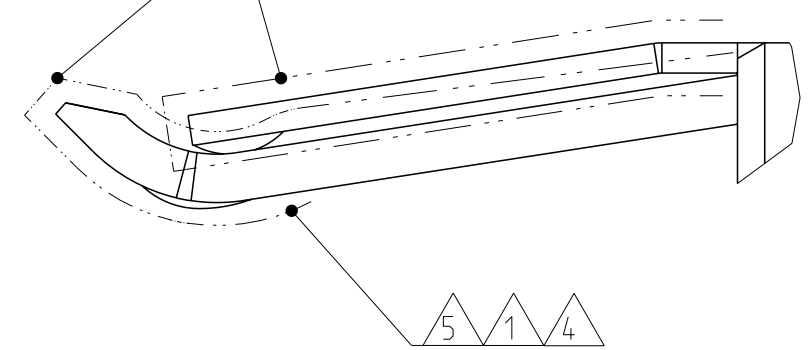
LOC	DIST	REVISIONS			
P	LTR	DESCRIPTION	DATE	DWN	APVD
A1	-				
N5		PRODUCT SPEC CORRECTED	23JUN2014	Ho.	Eder
N6		ECR-15-012070	13AUG2015	JBH	BK
N7		OBSOLETE PNS 962876-6, -7	11MAR2022	KMD	JC
N8		Added note 7 in the table in gap VERSION for PN 962876-1/-2	24OCT2022	FRAN	SCHI

7 KONVENTIONELL



- 1 SELECTIVE GOLD PLATED MIN. 0.8 µm OVER NI  
selektiv vergoldet 0.8 µm ueber Ni
- 2 TIN PLATED MIN. 0.2 µm OVER NI  
verzinkt 0.2 µm ueber Ni
- 3 CONTACT SURFACE SEL. GOLD PLATED MIN. 0.8 µm OVER NI  
CANTILEVER SPRING COMPLETELY GOLD PLATED ON BOTH SIDES  
sel. vergoldet auf der Kontaktobersseite 0.8 µm min. ueber Ni  
Ueberfeder komplett auf beiden Seiten vergoldet
- 4 GAL. TIN PLATED MIN. 1.0 µm OVER NI  
gal. verzinkt 1.0 µm ueber Ni
- 5 SELECTIVE GOLD PLATED MIN. 1.27 µm OVER NI  
selektiv vergoldet 1.27 µm min. ueber Ni
- 6 WIRE RANGE : 0.5 - 1.0 mm<sup>2</sup>  
INSULATION-Ø: 2.8 mm (SINGLE WIRE SEAL)  
Drahtgrossenbereich: 0.5 - 1.0 mm<sup>2</sup>  
Isolations-Ø: 2.8 mm (Einzeldichtung)

8 TWO TRACK DIE  
M 5:1



VERSION	SURFACE / Oberflaeche	MATERIAL	PART NO	REV		
OBsolete	8 7	5 2	CuFe2	962876-7	B	
OBsolete	8 7	3 4 2	CuSn4	962876-6	N	
	8 7	1 2	CuFe2	962876-5	N	
	8 7	1 2	CuSn4	962876-3	N	
	8 7		PRETIN / vorverzinkt	CuFe2	962876-2	N
	8 7		PRETIN / vorverzinkt	CuSn4	962876-1	N

THIS DRAWING IS A CONTROLLED DOCUMENT.

DWN: R.Hofer 05-JAN-89  
CHK: L.Nix 05-APR-89  
APVD: M.Bleicher 25-JUN-08

TE Connectivity

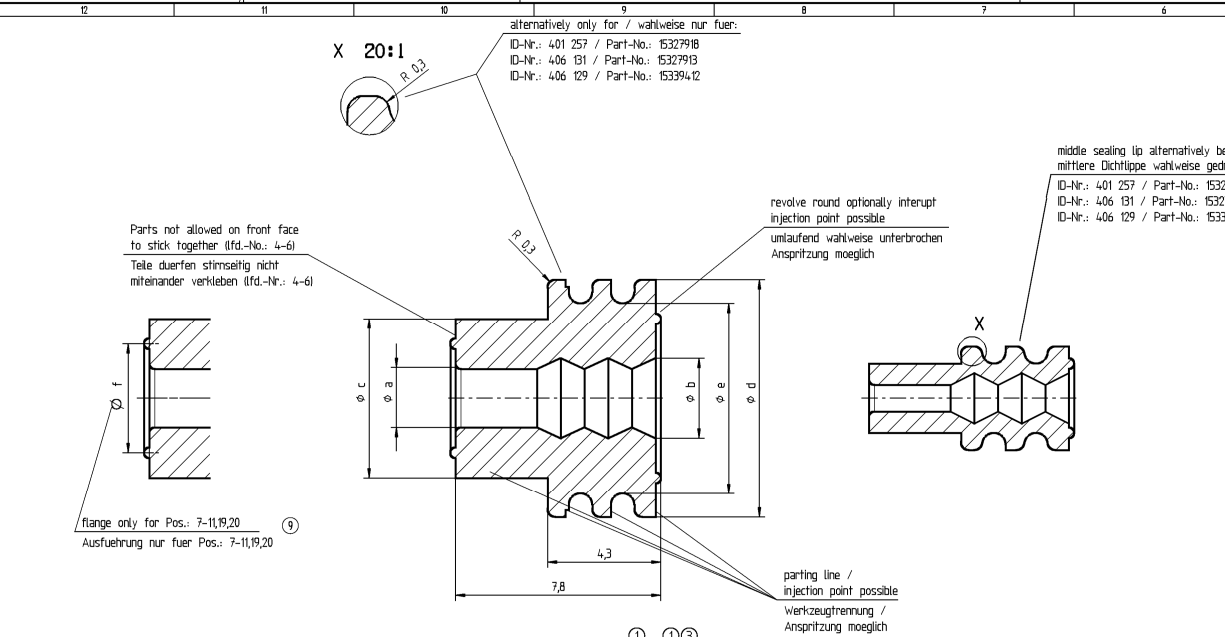
MICRO TIMER 2 CONTACT WITH DOUBLE LOCKING LANCE mit doppelter Rastfeder

SIZE: A2 CAGE CODE: 00779 DRAWING NO: C-962876 RESTRICTED TO: -

WEIGHT: 0.3 g SCALE: 10:1 SHEET: 1 OF 1 REV: N8

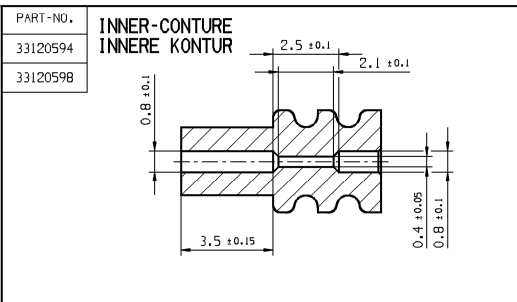
Customer Drawing

Printed on 24 Oct 2022 15:34 (Mittel Europa from TE220462)



Zone	DWG Status	REV IN/PCDE	Revision history	Date	Name	Check	St. GH
01			Initial release Freigebe	16.JUN00	U.Tor.	J.Moch	R.Wis.
D12	01	AA	Part-No. 403 960 and Part-No. 072074 deleted Part-No. 697 990 and Part-No. 072074 corrected	05DEC02	Frimm	Cvasa	R.Wis.
C12	01	AB	Part-No. 608 447 and Part-No. 076347 deleted Part-No. 698 497 and Part-No. 076347 corrected	05DEC02	Frimm	Cvasa	R.Wis.
B12	01	AC	Cable Ø 2,8-3,8 was 2,8-2,9 Liftung Ø 2,8-3,8 var 2,2-2,9	05DEC02	Frimm	Cvasa	R.Wis.
C9	01	AD	Cable Ø 17-21 was 17-21 Liftung Ø 17-21 var 17-21	17DEC03	Frimm	Cvasa	R.Wis.
C11	02		Part-No. 072090 added Part-No. 072090 Minu	18MY04	Frimm	Cvasa	R.Wis.
C11	03		Part-No. 050872 added Part-No. 050872 Minu	25OC04	Frimm	Cvasa	R.Wis.
C9	03	AA	Cable Ø 19-21 was 17-21 Liftung Ø 19-21 var 17-21				
C/D11	AB		Part-REV / Date corrected Part-REV / Datum korrigiert	24MY05	Frimm	Cvasa	R.Wis.
C/D11	03	AC	Part-No. 052709 Rev 02 01000 var 30 02187 Part-No. 052709 Rev 02 01000 var 30 02187	23AUG05	Frimm	Cvasa	R.Wis.
D6-12	04		Part-No. 054461, 054462 added Part-No. 054461, 054462 Minu				
B4	AA		Remark No. 1 added Part-No. 059644 added Part-No. 059644 Minu	30SEP05	Frimm	Cvasa	R.Wis.
D6-12	05		Green var added Part-No. 059644 Part-No. 059644 added Part-No. 059644 Minu	16MY06	Frimm	Cvasa	R.Wis.
C7	06		Green var added Part-No. 059644 Part-No. 059644 added Part-No. 059644 Minu	27JUL06	Frimm	Cvasa	R.Wis.
A9	06	AA	Cable 2,8-3,8 was 2,8-2,9 Part-No. 052709A Cable 2,8-3,8 var 2,8-2,9 Part-No. 052709A	06OC06	Frimm	Cvasa	R.Wis.
A9	06	AB	Cable 2,8-3,8 was 2,8-2,9 Part-No. 052709A Cable 2,8-3,8 var 2,8-2,9 Part-No. 052709A	08NO06	Frimm	Cvasa	R.Wis.
A-D9	06	AC	Pos-Numbering changed according to D-drawing Pos-Nummerierung an D-Zeichnung angepasst	26JAO7	Frimm	Cvasa	P.Les.
C-A6	07		Part 075244, 075240, 075235, 075237 added Teile 075244, 075240, 075235, 075237 Minu	15OC08	W.Szo	Frimm	K.PH
D12	08		Part-No. 054461, 054462, 059644 deleted Teile 054461, 054462, 059644 entfernt	09DEC09	V.Kas	J.Saf	SYS
C8	08	AA	Cable cross section for Part-No. 0539412 changed Kabelquerschnitt fuer Teil-Nr. 0539412 geaendert	01OC13	K.Wir.	T.Plin	SYS
E12	09		Part 310094 and 310098 added Teile 310094 und 310098 Minu	31OC13	A.HHG	A.URB	SYS
FB	09	AA	SW 16 FORMED MASS 16 ENTERT	30JUN14	A.HHG	A.URB	SYS
	09	AB	SRNs corrected in BOM SRNs korrigiert in Stückliste	30AP15	V.KAS	K.STO	SYS
	09	AC	RAL 1007 WAS RAL 106 INFITING ERROR RAL 1007 WAS RAL 106 SCHWELDFELDER	28JUN16	V.KAS	K.STO	SYS
E7	09	AD	SH RAL ADDITION	13JUL16	R.MDL	V.KAS	SYS
F11	09	AE	POSITIONS R AND 70 ADDED / POSITIONEN R UND 70 HINZU	10AUG16	P.SCH	E.OSW	SYS
C8	09	AF	CABLE DIAMETER CHANGED - WHITE ERROR KABELDIAMETER GEANDERT - SCHWELDFELDER	09JAN17	P.SCH	V.KAS	SYS
A-B6	09	AG	CABLE DIAM FROM MAX. 2,9 TO 2,7 CORRECTED KABELDIAM. VON MAX. 2,9 ZU 2,7 KORREGIERT	20JUL17	V.KAS	T.BOL	SYS
B9	09	AH	CABLE DIAM FROM MAX. 2,9 TO 3 CORRECTED KABELDIAM. VON MAX. 2,9 ZU 3 KORREGIERT	05OC18	T.MAZ	V.KAS	SYS

Loose / Lose				Put on the belt / geputert				Pos.	Cbl.Ø Ltg.φ	Cable cross-section mm <sup>2</sup> altern. Leitungsquerschnitt mm <sup>2</sup> wahlw.		Color Farbe	SIM RAL	Dimension φ Mass φ					
ID-Nr.:	Part-No.:	Part REV	Date Datum	ID-Nr.:	Part-No.:	Part- REV	Date Datum			FLY	FLRY			ax0,1	bx0,2	cx0,2	dx0,1	e <sup>+0,1</sup> -0,2	fs0,2
Seal for female-terminal 1,5 mm and tab-terminal 1,5 mm Dichtung fuer Flachsteckhuelse 1,5 mm und Flachstecker 1,5 mm																			
---	33120594	01	31OC13	---	---	---	---	0,8-1,2	0,08-0,13	black schwarz	9011	---	---	2,6	3,9	2,6	---		
406 131	1532791B	42	13JUN00	---	---	---	2	1,2-1,6	0,35-0,5	wine red weinrot	3027	0,8	1,4	2,6	3,9	2,6	---		
401 257	1532791B	42	13JUN00	401 258	15344666	42	13JUN00	1	1,2-2,0	gray grau	7000	1,0	1,9	2,6	3,9	2,6	---		
---	15344778	37	05MY99	---	---	---	12	1,4-2,0	0,5-1,0	green gruen	6010	1,0	1,9	2,6	3,9	2,6	---		
406 129	15339412	42	13JUN00	---	---	---	3	1,9-2,1	0,75-1,5	maize maisgelb	1007	1,5	1,9	2,6	3,9	2,6	---		
---	13735535	01	15OC08	---	---	01	15OC08	21	1,2-2,0	yellow gelb	1016	1,0	1,9	2,6	3,9	2,6	---		
---	13735527	01	15OC08	---	---	01	15OC08	22	1,2-2,0	green gruen	6010	1,0	1,9	2,6	3,9	2,6	---		
Seal for female-terminal 2,8 mm and tab-terminal 2,8 mm Dichtung fuer Flachsteckhuelse 2,8 mm und Flachstecker 2,8 mm																			
---	33120598	01	31OC13	---	---	---	---	0,8-1,2	0,08-0,13	wine red weinrot	3027	---	---	3,4	5,65	4,5	---		
401 199	15327860	42	13JUN00	401 198	10718144	42	13JUN00	4	1,2-2,0	blue blau	5010	0,8	1,6	3,4	5,65	4,5	---		
---	15498732	01	25OC04	---	---	---	15	1,2-2,0	0,35	gray grau	7000	0,8	1,6	3,4	5,65	4,5	---		
404 924	10720901	01	18MY04	---	---	---	14	1,2-2,0	0,35	orange orange	2004	0,8	1,6	3,4	5,65	4,5	---		
401 187	15327863	42	13JUN00	401 188	15344643	42	13JUN00	5	2,0-2,7	red / brown rot / braun	3011	1,6	2,2	3,4	5,65	4,5	---		
401 259	15327859	42	13JUN00	401 260	10720641	42	13JUN00	6	2,7-3	maize maisgelb	1007	2,2	3,0	3,4	5,65	4,5	---		
Seal for female-terminal 4,8 mm and tab-terminal 4,8 mm Dichtung fuer Flachsteckhuelse 4,8 mm und Flachstecker 4,8 mm																			
401 201	15363779	42	13JUN00	401 200	15344644	42	13JUN00	7	1,2-2,0	yellow gelb	1016	0,8	1,6	6,0	9,0	7,2	3,4		
401 203	15363604	42	13JUN00	401 202	15344645	42	13JUN00	8	2,0-2,7	white weiss	9010	1,6	2,2	6,0	9,0	7,2	3,7		
401 205	15327864	42	13JUN00	401 204	15337204	42	13JUN00	9	2,7-3,8	red / brown rot / braun	3011	2,2	3,0	6,0	9,0	7,2	4,1		
401 208	15363605	42	13JUN00	401 207	15344646	42	13JUN00	10	4,0-4,5	green gruen	6010	3,2	3,9	6,0	9,0	7,2	4,6		
401 210	15344647	42	13JUN00	401 209	15344404	42	13JUN00	11	4,7-5,3	gray grau	7000	3,8	4,8	6,5	9,0	7,2	5,15		
---	13735454	01	15OC08	---	---	01	15OC08	19	2,7-3,8	blue blau	5010	2,2	3,0	6,0	9,0	7,2	4,1		
---	13735480	01	15OC08	---	---	01	15OC08	20	2,7-3,8	green gruen	6010	2,2	3,0	6,0	9,0	7,2	4,1		



**PART-NO.**  
33120594  
33120598

**INNER-CONTOUR  
INNERE KONTUR**

Remarks :  
 - Material: Silicone, self-lubricated,  
 Tensile strength: Rm min. 6,2 Nm/mm<sup>2</sup>  
 Gap argumentation > 375% DIN 53 504-52  
 ozoneresistant, heatresistant -40 to +180°C  
 gauged on testboard

Bemerkungen :  
 - Werkstoff: Silikon, selbstschmierend,  
 Zugfestigkeit: Rm min. 6,2 Nm/mm<sup>2</sup>  
 Reissdehnung > 375% DIN 53 504-52  
 ozonbestaendig, temperaturbestaendig -40 bis +180°C  
 gemessen an Pruefplatten

Scale/Verst. 1:1

Scale/Verst. 5:1

DELPHI  
D - 4219 WUPPERTAL

Part No. see chart / siehe Tabelle

Technical drawing / siehe Zeichnung

**Cable seal  
Einzelradialdichtung**

DIM TO CHECK  
PRUEFMASSE  
( ) DIM FOR HELP  
HILFSMASSE  
THEORETIC DIM  
THEORE. MASSE

DIMENSIONAL RANGE (MM)  
NENNMASSBEREICH (MM)

FROM	TO	<25	>25	>60	>80
------	----	-----	-----	-----	-----

TOLERANCE UNLESS OTHERWISE SPECIFIED  
ALLE TOLERANZGRENZEN UNLESS OTHERWISE SPECIFIED

ANGULAR TOLERANCE ± 2°  
WINKELTOLERANZ ± 2°

Scale/Verst. 10:1  
1:1; 5:1

Project/Projektion  
 6501.1713/003

Drawing No. 15446589

Form A1

DELPHI

DELPHI

CONTROL DOCUMENTS ARE ONLY AVAILABLE ON THE SERVER