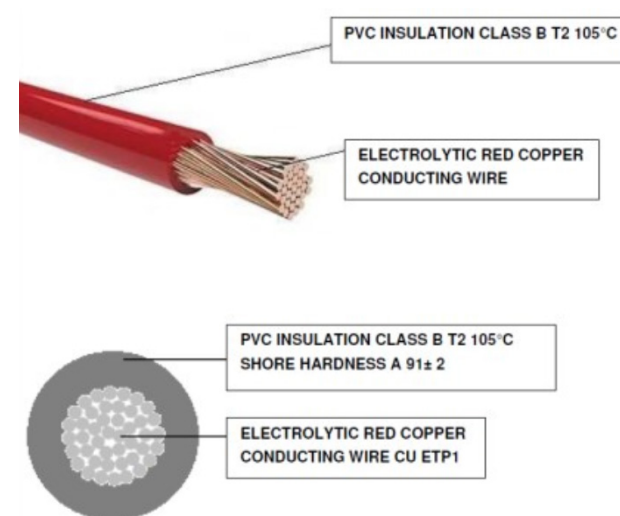


M 284716-2C



Caratteristiche CAVO	
Temperatura d'uso	-40 °C / +105 °C (IDLE STATE)
Sezione	0.75 mmq
Colore	Bianco
Documenti di riferimento	ISO 19642 : 2019 / DIN 72551 ISO 6722 CLASS B / LV 112 / ISO 3795 FIAT 91107 / 18 (where applicable) ROHS II/III UN R118
Lunghezza	20 cm
Tipologia	F3T2



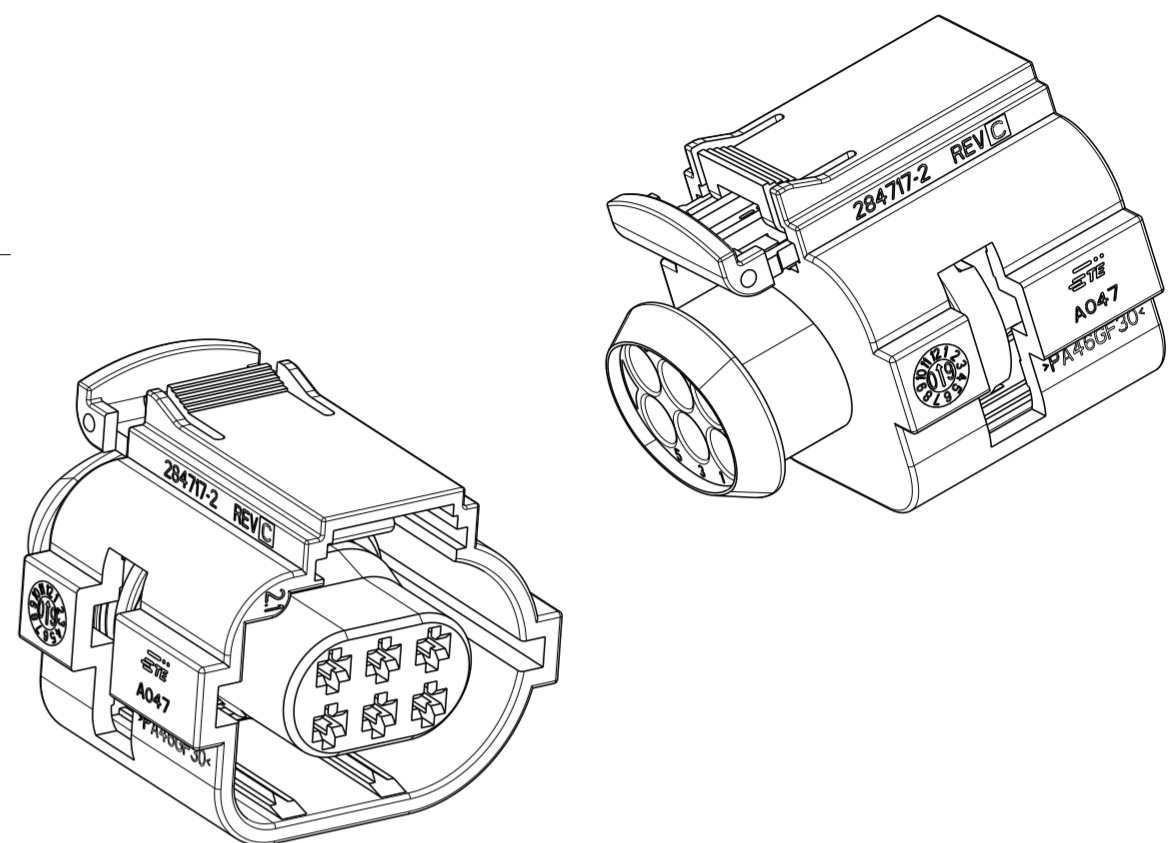
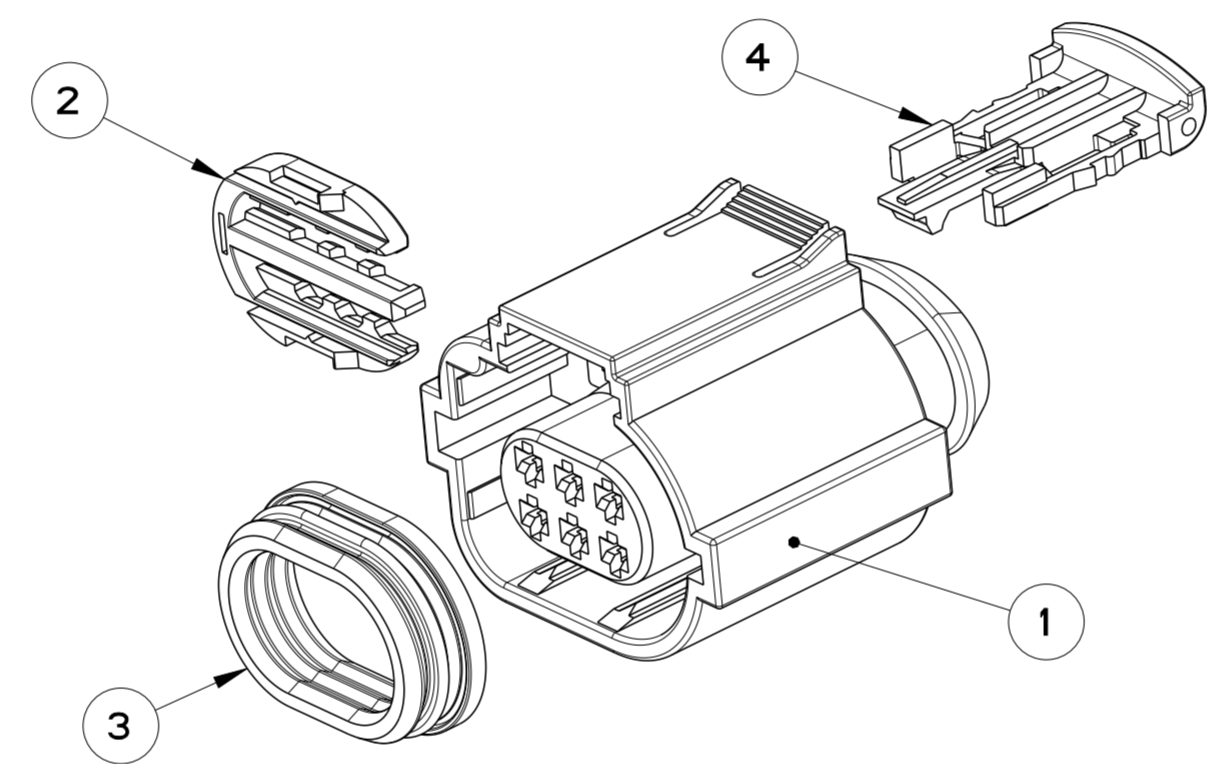
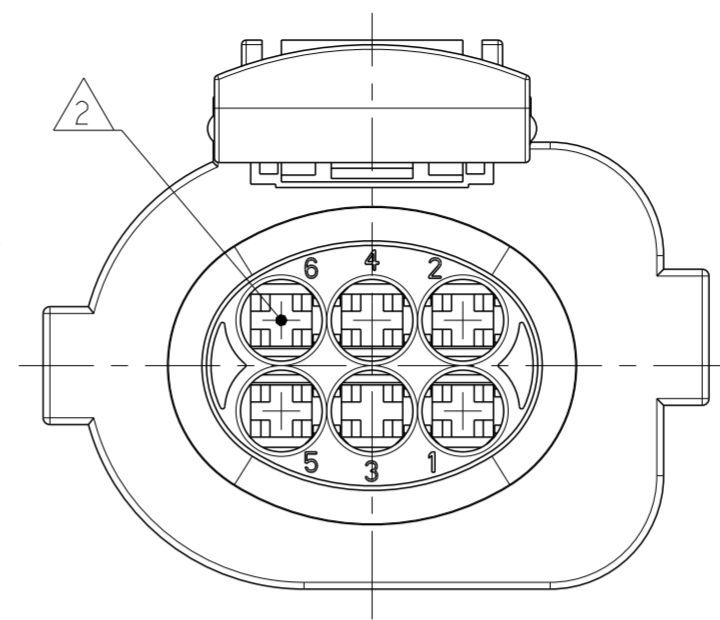
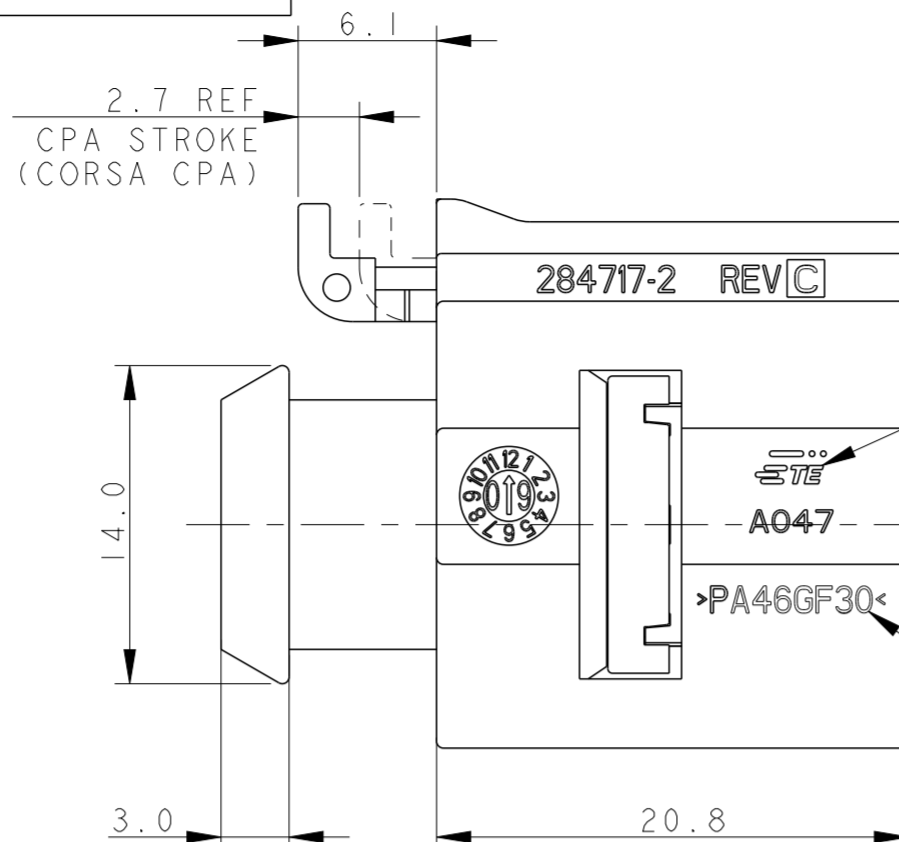
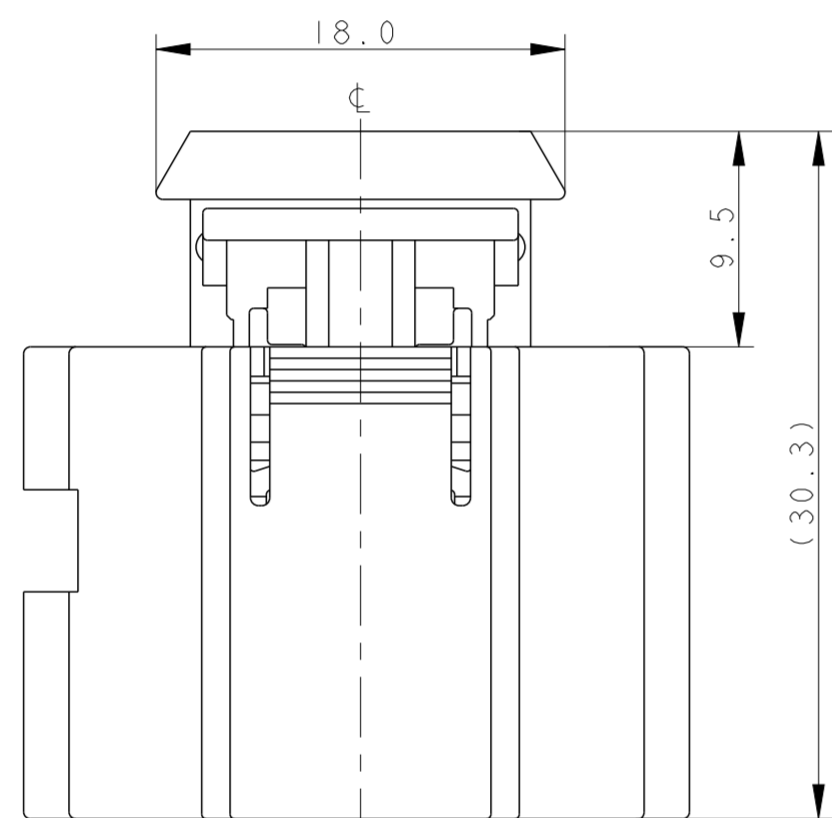
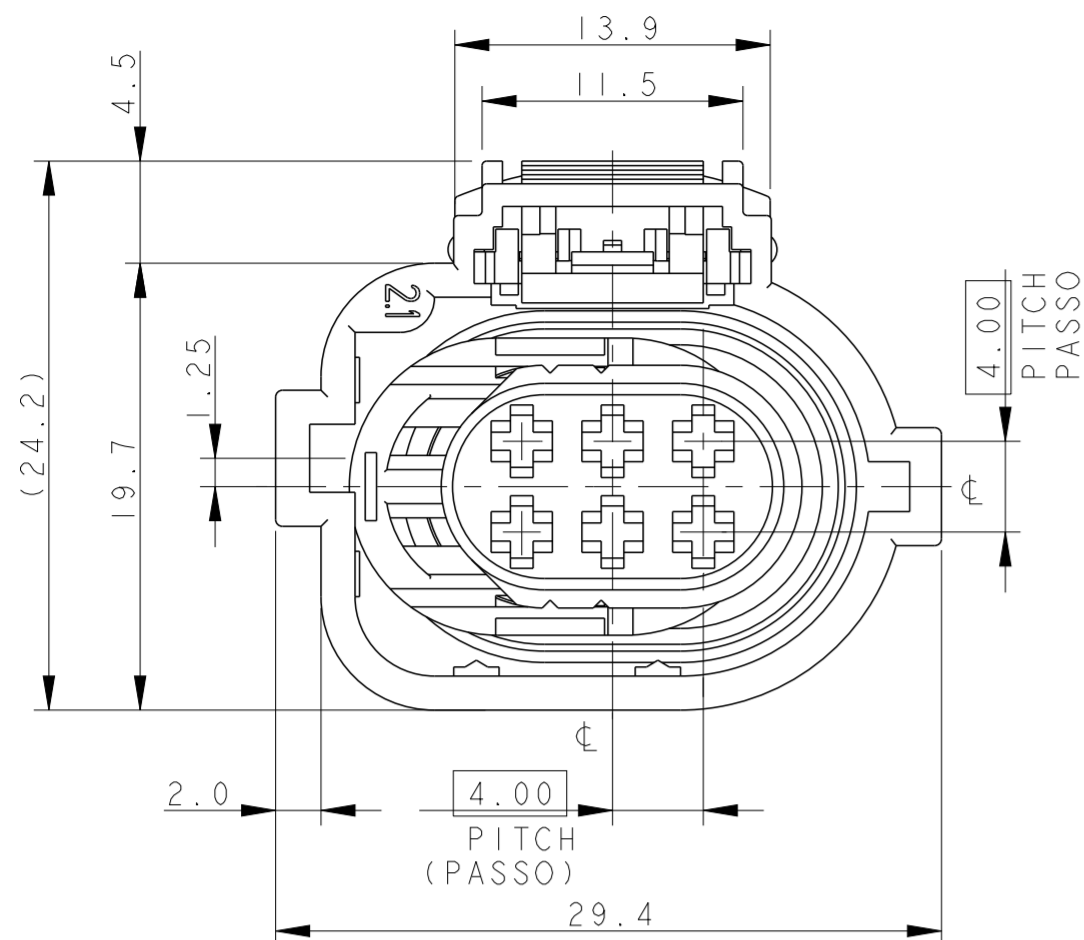
CROSS SECTION	COND. CONSTR.	EXT. DIAMETER.	INSUL. MATERIAL	EL. RES. MAX 20°	MAX VOLT.	INSULATION THICKNESS (+)
1 x 0,75	24 x 0,20 ± 0,01 mm	1,90 +0 mm -0,2 mm	PVC T2 HT 105 °C	24,7 OHM/KM	< 300 V	≥ 0,24

Proseguire nella pagina successiva per visualizzare la scheda tecnica dei componenti

Revisione	Prodotto
REV.00 13/04/2026	OEM

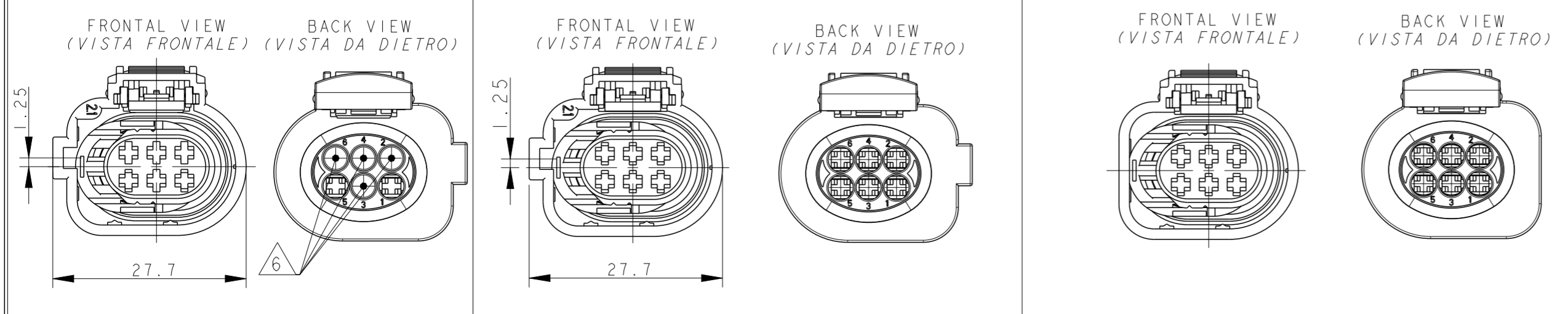
THIS DRAWING IS UNPUBLISHED. QUESTO DISEGNO NON DEVE ESSERE DIVULGATO O RIPRODOTTO. RELEASED FOR PUBLICATION E' CONSENTITA LA DIVULGAZIONE. ALL RIGHTS RESERVED. TUTTI I DIRITTI SONO RISERVATI. 2000

LOC		DIST		REVISIONS			
P	LTR	REV	DESCRIPTION	DATE	DWN	APVD	APP.
DESCRIZIONE				DATA	DIS.		
	D4		ADDED -7 VERSION (ECO-17-014569)	05OCT2017	M.G.	M.G.	
	D5		REVISED PER ECO-18-005949	18DEC2017	AP	MG	



- 1) FEMALE CONNECTOR SUPPLIED WITH SECONDARY LOCK AND C.P.A. PRE-ASSEMBLED (CONNETTORE PORTAFEMMINE FORNITO CON SECONDARY LOCK E C.P.A. PRE-MONTATI)
- 2) CAVITIES SUITABLE FOR MICRO TIMER II STD. P/N 962876 WIRE RANGE: 0.50+1.0 mm² AND TYPE A CONTACTS ACC. TO PRODUCT GROUP DRAWING 1355045 (WIRE RANGE: 0.50+1.0 mm²) SINGLE WIRE SEAL P/N 964971-1 (0.50 mm²), P/N 963530-1 (0.75 mm²) AND P/N 964972-1 (1.0 mm²). CAVITY PLUG P/N 963531-1. (CAVITA' ADATTE PER CONTATTI MICRO TIMER II STD. P/N 962876 SEZ. FILO: 0.50+1.0 mm² E TIPO A IN ACCORDO AL DISEGNO DI GRUPPO 1355045 (SEZ. FILO: 0.50+1.0 mm²) GOMMINO P/N 964971-1 (0.50 mm²), P/N 963530-1 (0.75 mm²) E P/N 964972-1 (1.0 mm²). TAPPO CAVITA' P/N 963531-1).
- 3) FOR COUNTERPART INTERFACE DRAWING SEE SHEET 2 OF 2 (PER IL DISEGNO DELLA CONTROPARTE DI INTERFACCIA, VEDI FOGLIO 2 DI 2)
- 4) MATERIAL AND COLOUR FOR 284716-2: PA4.6 GF30, BLACK MATERIAL AND COLOUR FOR 1-284716-2: PBT GF30, BLACK MATERIAL AND COLORS OTHER DASHES: SEE TABLE (MATERIALE E COLORI ALTRE BARRER: VEDERE TABELLA)
- 5) TYCO ELECTRONICS TRADEMARK (OR, IN ALTERNATIVE, *tyco*)

P/N 284716-1 REV. D 4 HOUSING COLOUR: GREY; MATERIAL: PA 4.6 GF 30 6 PLUGGED CAVITIES (Nr. 2-3-4-6) (CAVITA' TAPPATE Nr. 2-3-4-6) P/N 1-284716-1 REV. D 4 HOUSING COLOUR: GREY; MATERIAL: PBT GF 30 6 PLUGGED CAVITIES (Nr. 2-3-4-6) (CAVITA' TAPPATE Nr. 2-3-4-6)	P/N 284716-3 REV. D 4 HOUSING COLOUR: BROWN; MATERIAL: PA 4.6 GF 30 P/N 284716-5 REV. D 4 HOUSING COLOUR: GREY; MATERIAL: PA 4.6 GF 30 P/N 284716-7 REV. D 4 HOUSING COLOUR: BLACK; MATERIAL: PA 4.6 GF 30	P/N 1-284716-3 4 HOUSING COLOUR: BROWN; MATERIAL: PBT GF 30 P/N 1-284716-5 REV. D 4 HOUSING COLOUR: GREY; MATERIAL: PBT GF 30 P/N 1-284716-7 REV. D 4 HOUSING COLOUR: BLACK; MATERIAL: PBT GF 30	P/N 284716-4 REV. D 4 HOUSING COLOUR: BLACK; MATERIAL: PA 4.6 GF 30 P/N 284716-6 REV. D 4 HOUSING COLOUR: BLACK; MATERIAL: PA66 G.F 30. 3 TE CONNECTIVITY COUNTERPART: P/N 1565597-1	P/N 1-284716-4 REV. D 4 HOUSING COLOUR: BLACK; MATERIAL: PBT GF 30
---	--	--	--	--



P/N 284716-2 / 1-284716-2 REV. D AS SHOWN

ITEM	DESCRIPTION (DESCRIZIONE)	MATERIAL (MATERIALE)	COLOUR (COLORE)	Q.TY (Q.TA')
1	HOUSING (BLOCCHETTO)	4	4	1
2	SECONDARY LOCK (AGGANCIO SECONDARIO)	PA66 G.F 30	RED (ROSSO)	1
3	PERIPHERAL SEAL (GUARNIZIONE)	LSR (GOMMA SILICONICA)	RED (ROSSO)	1
4	C.P.A.	PA66 G.F 13	YELLOW (GIALLO)	1

THIS DRAWING IS A CONTROLLED DOCUMENT. QUESTO DISEGNO E' UN DOCUMENTO DI PROPRIETA' E RESPONSABILITA' DELL'AMP INCORPORATED, E' SOGGETTO A VARIAZIONI. PER OTTENERE L'ULTIMA REVISIONE DEL DISEGNO CONTATTARE L'UFFICIO TECNICO RESPONSABILE.

DWN/DIS: M. SARDI 24NOV2000
CHK/CONT: O. CANUIO 24NOV2000

DIMENSIONS: DIMENSIONI: (MM)

TOLERANCES UNLESS OTHERWISE SPECIFIED: TOLLERANZE: SE NON DIVERSAMENTE SPECIFICATO
 0 PLC/DEC: ±0.5
 1 PLC/DEC: ±0.3
 2 PLC/DEC: ±0.1
 3 PLC/DEC: ±0.1
 4 PLC/DEC: ±0.1
 ANGLES/ANGOLI: ±1°

FINISH FINITURA

SEE TABLE SEE TABLE

PRODUCT SPEC SPEC DI PRODOTTO: 108-20230
APPLICATION SPEC SPEC DI APPLICAZIONE: 411-20068

WEIGHT PESO: -

CUSTOMER DRAWING DISEGNO PER CLIENTE SOLO PER RIFERIMENTO

SCALE SCALA: 3:1

SHEET FOGLIO: 1 OF DI: 2

REV: D5

NAME NOME: M. SARDI

SIZE: A2

CAGE CODE: 0779

DRAWING NO. NUMERO: C-284716

RESTRICTED TO: -

TE Connectivity

6 POS. MTII RECEPTACLE CONNECTOR ASSEMBLY (CONNETTORE 6 VIE PER CONTATTI MT-II)

THIS DRAWING IS UNPUBLISHED.
 QUESTO DISEGNO NON DEVE ESSERE DIVULGATO O RIPRODOTTO

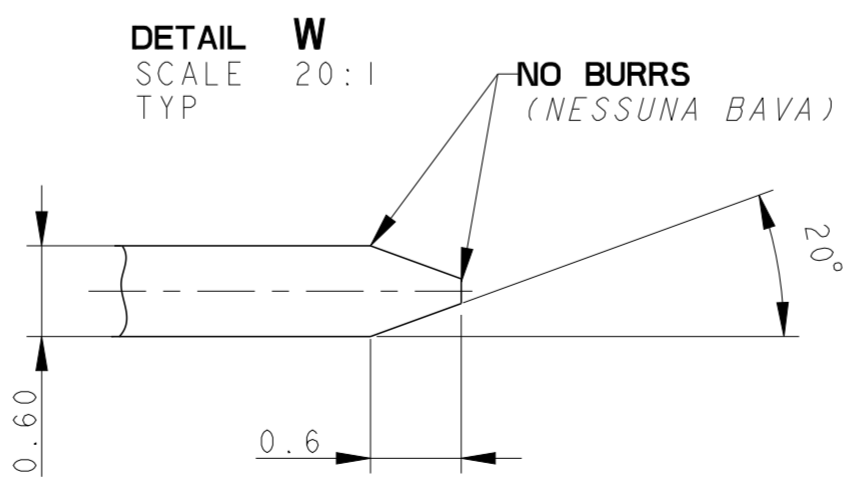
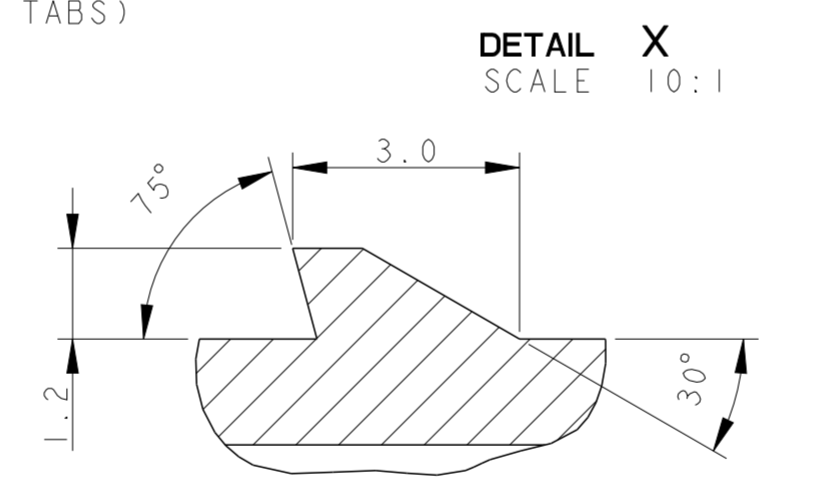
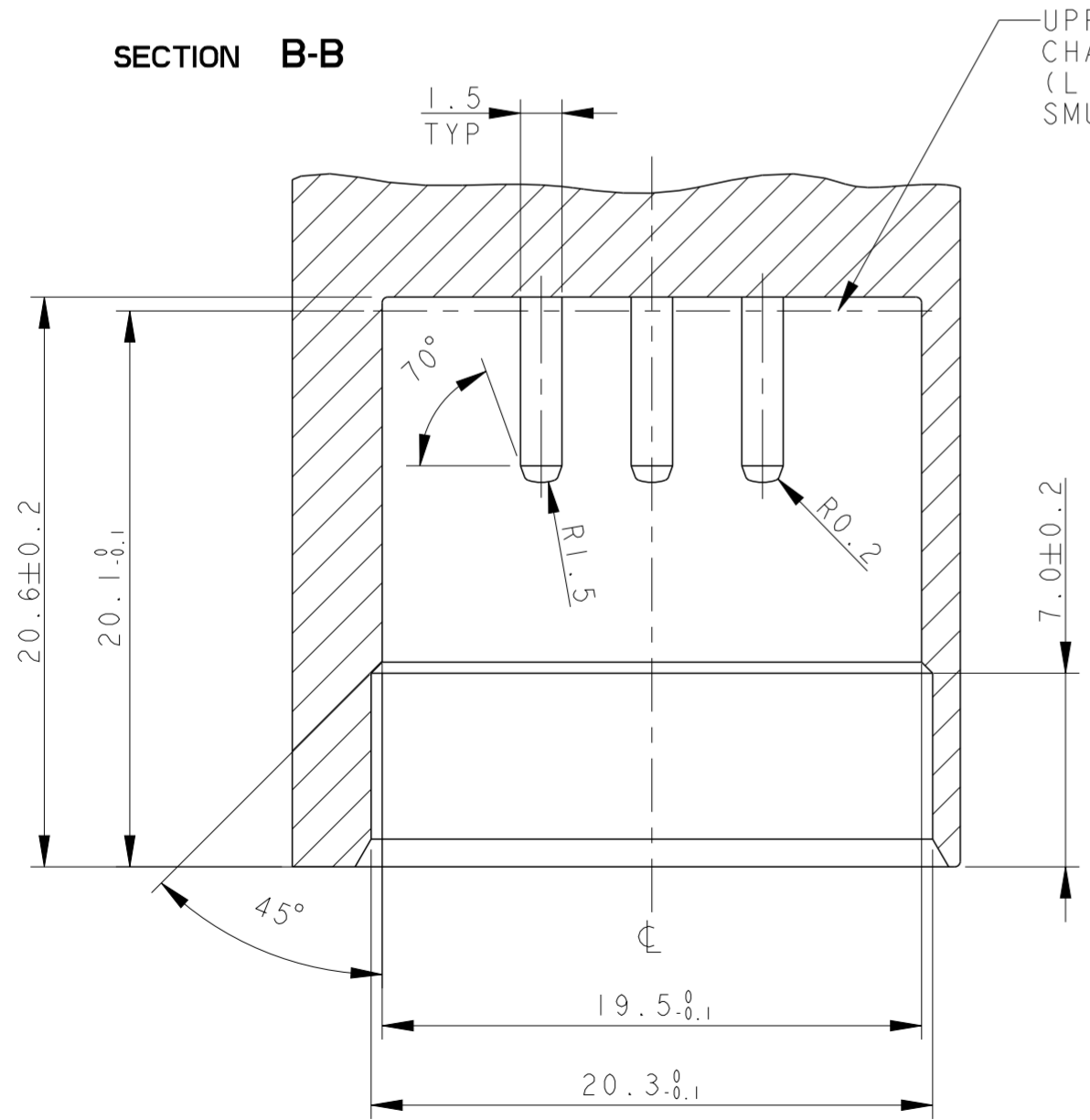
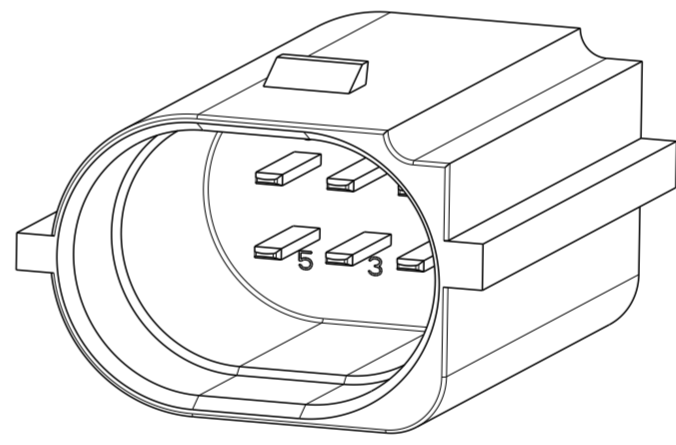
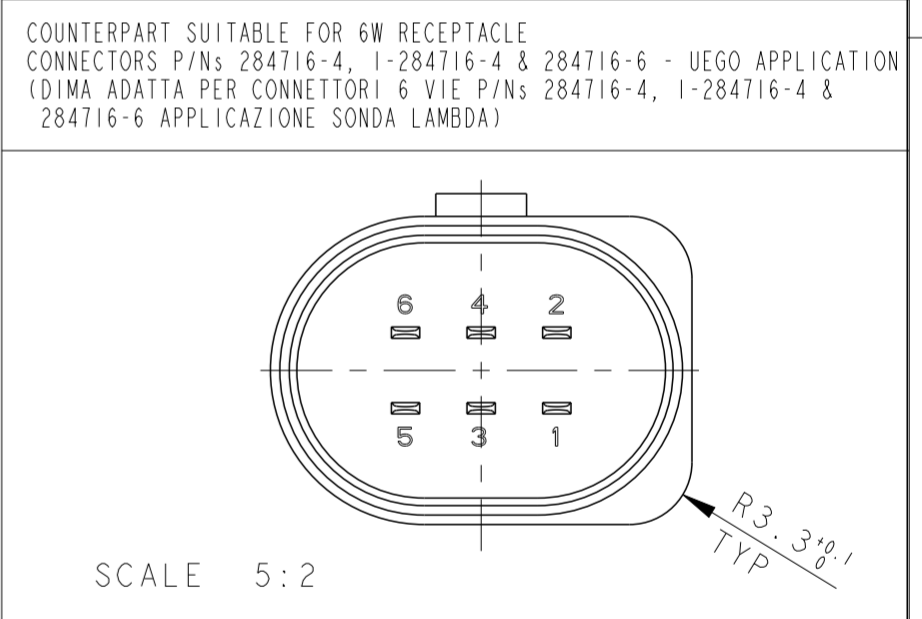
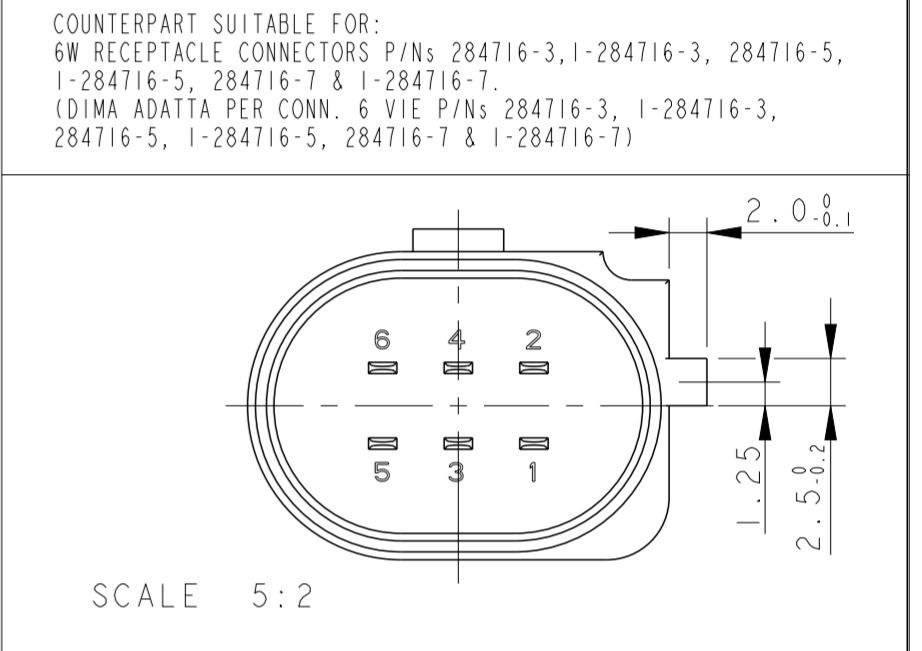
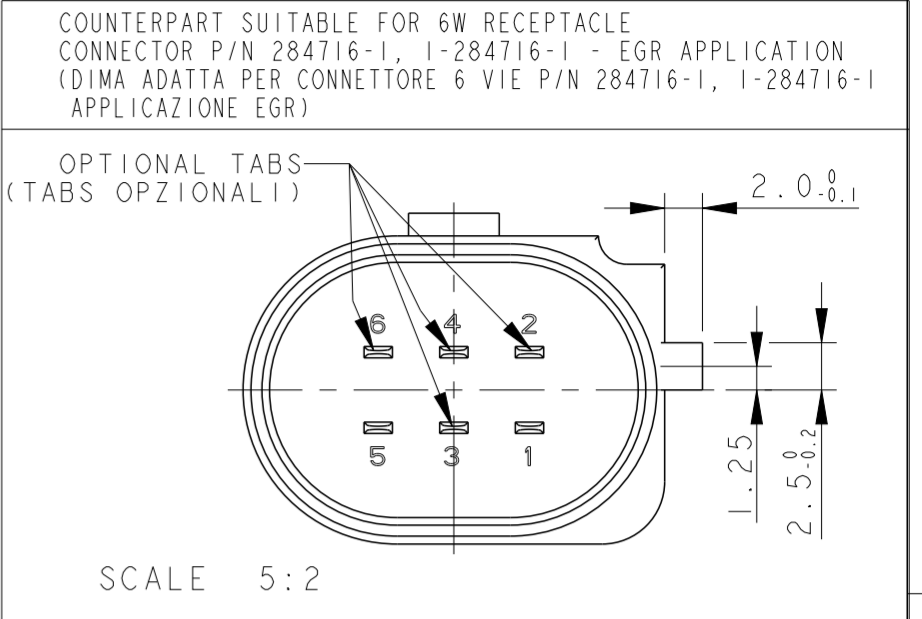
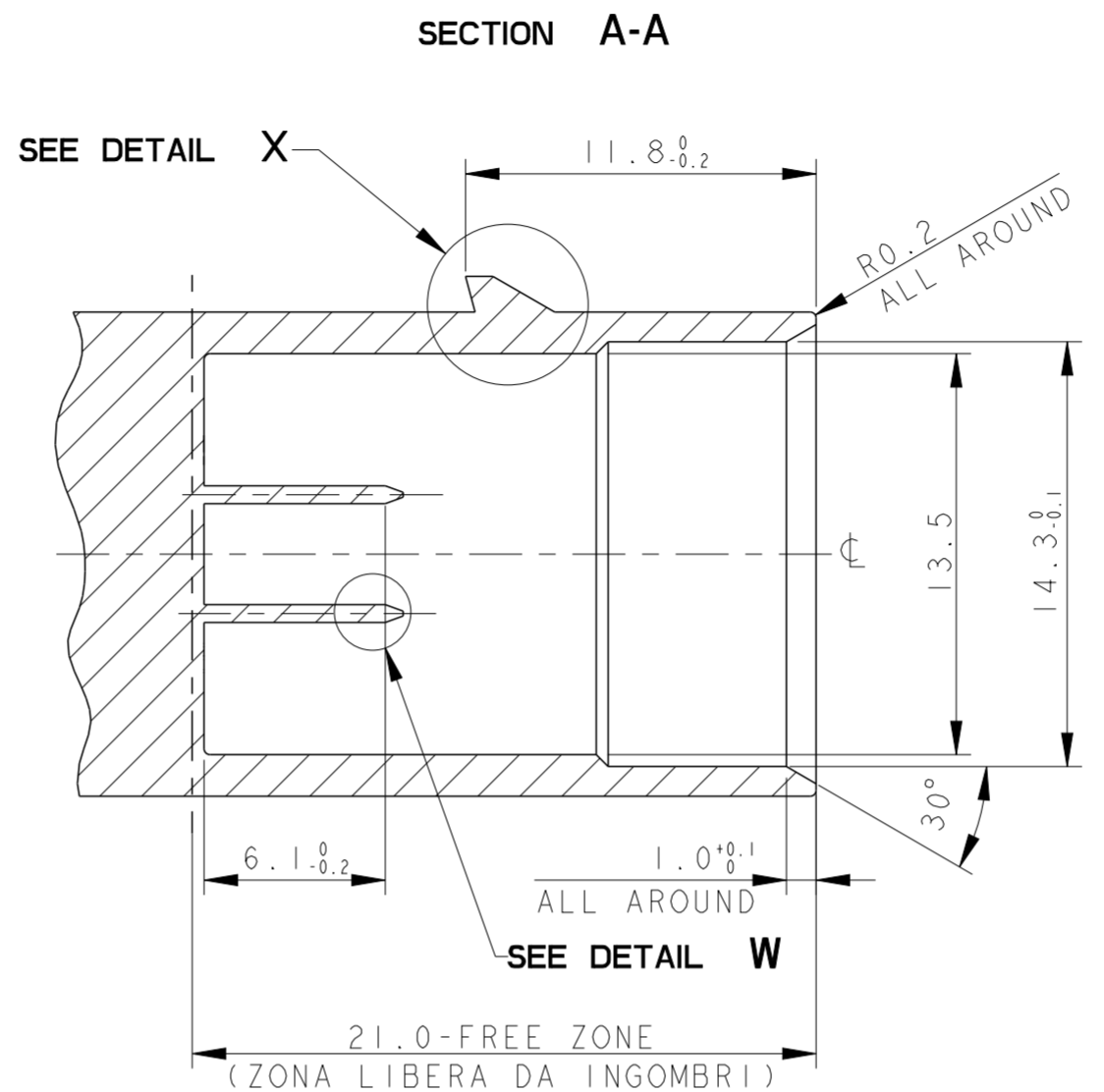
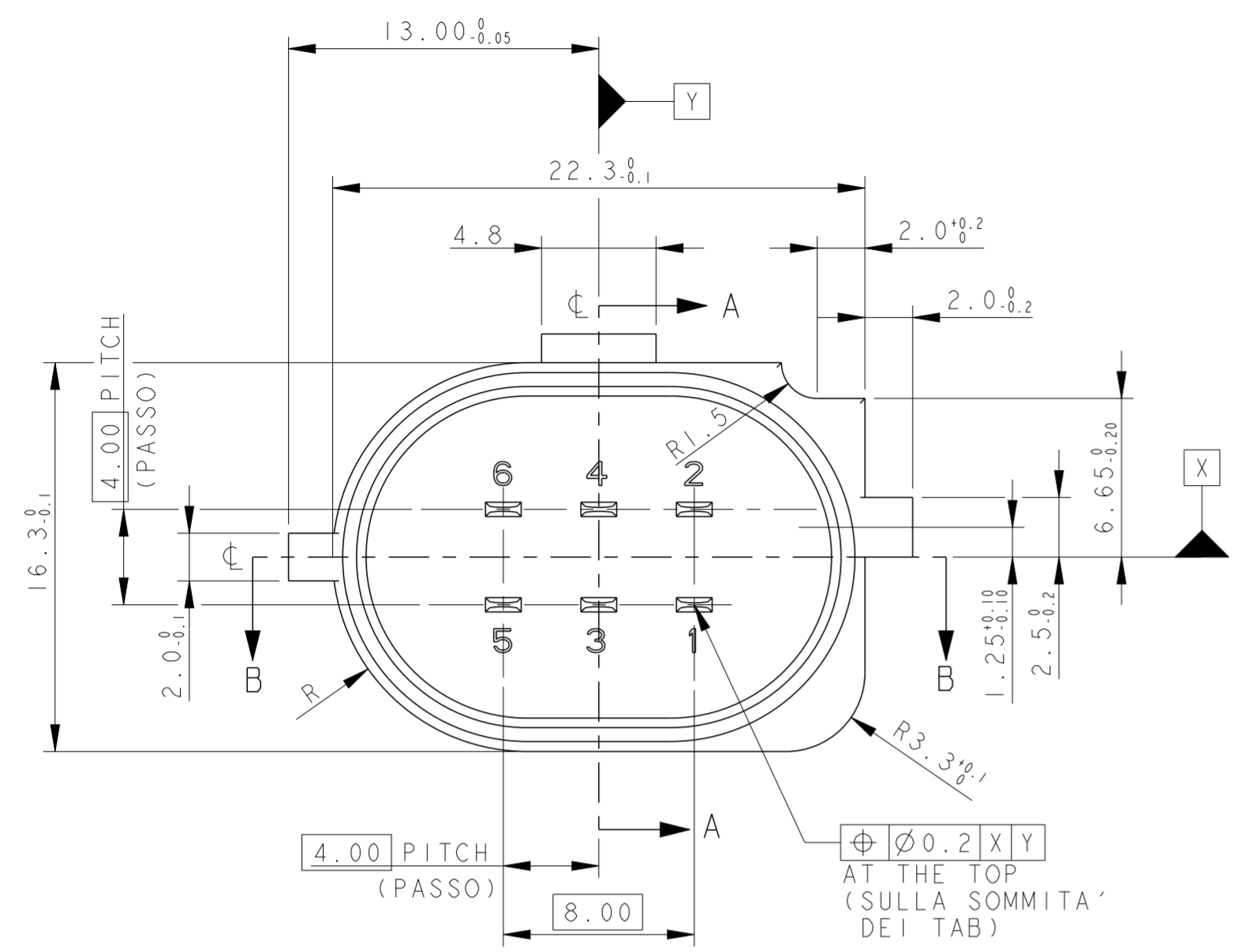
RELEASED FOR PUBLICATION
 E' CONSENTITA LA DIVULGAZIONE

2000

ALL RIGHTS RESERVED.
 TUTTI I DIRITTI SONO RISERVATI

© COPYRIGHT 2000

LOC	DIST	P	LTR	REV	REVISIONS REVISIONI	DATE DATA	DWN DIS.	APVD APP.
A1	-				SEE SHEET 1			



1) COUNTERPART SUITABLE FOR 6W RECEPTACLE HOUSING FOR MT2 CNT FOR THROTTLE VALVE P/N 284716-2, 1-284716-2 AS SHOWN (DISEGNO DIMA ADATTA PER CONNETTORE 6W PER CONTATTI MT2 PER VALVOLA FARFALLATA P/N 284716-2, 1-284716-2)

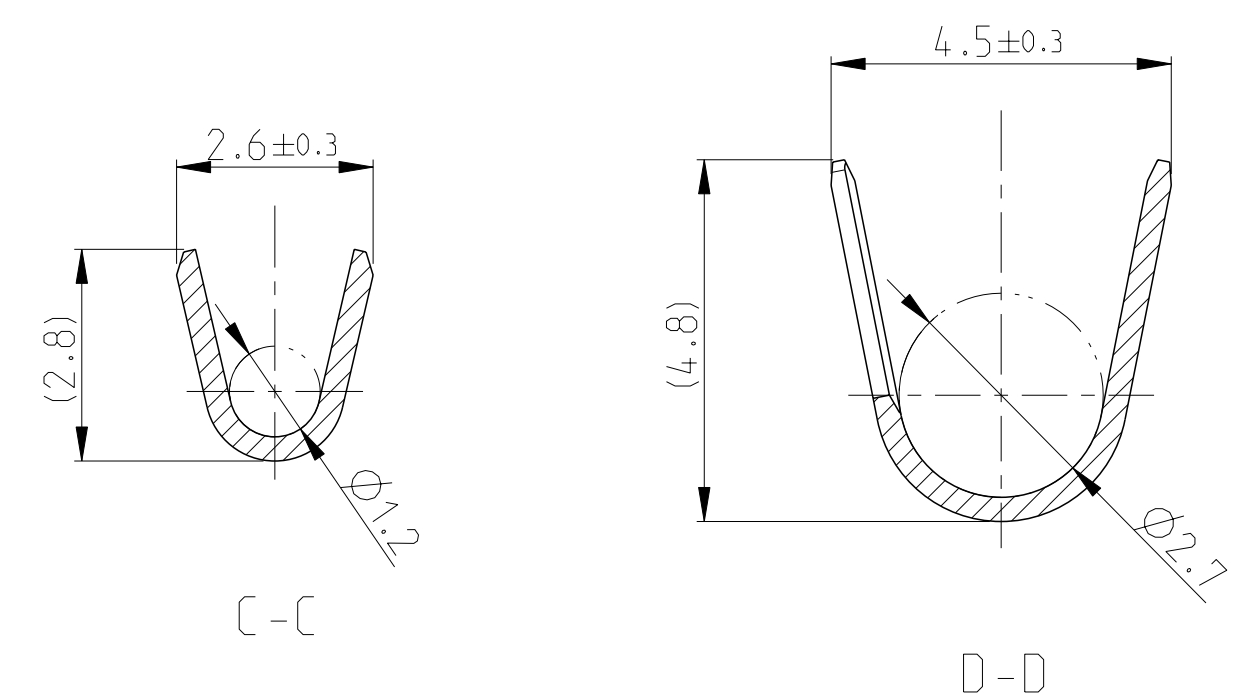
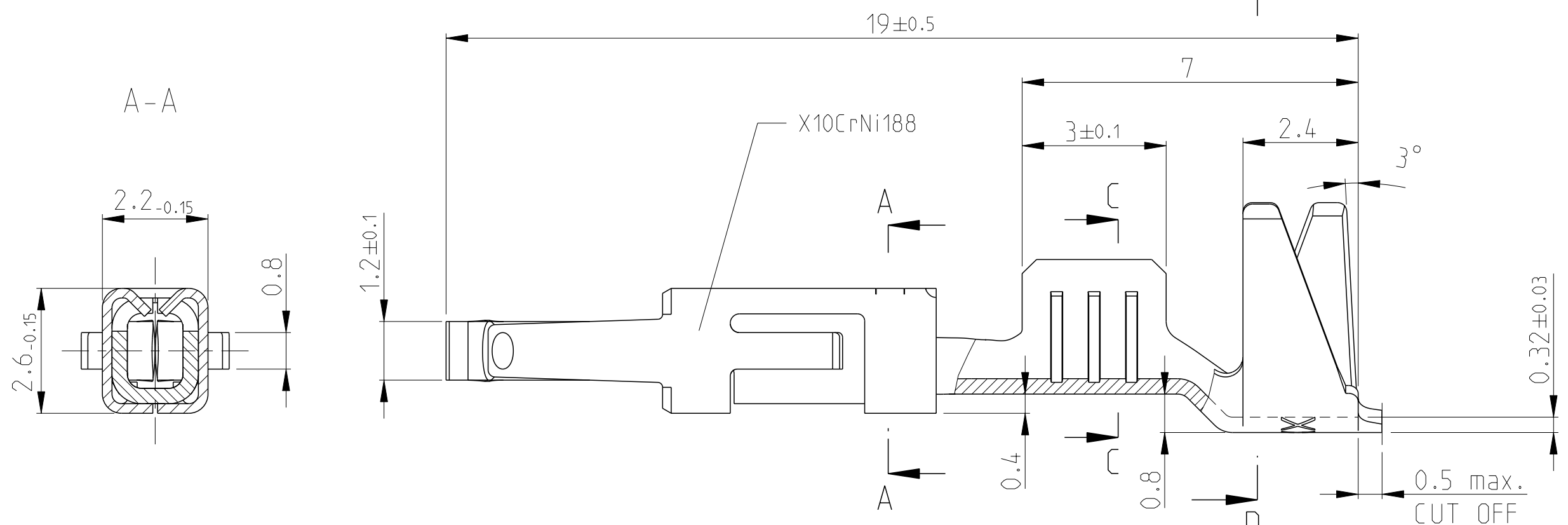
2) MATERIALS (MATERIALI):
 BODY: PLASTIC MATERIAL SUITABLE FOR 140°C TEMPERATURE (CORPO: MATERIALE PLASTICO ADATTO AD UNA TEMPERATURA DI 140°C)
 TABS: BRONZE (CuSn6) WITH 0.8µm MIN. GOLD OVER 2µm MIN. NICKEL (LINGUETTE: BRONZO CON 0.8µm MIN. DI ORO SU 2µm MIN. DI NICKEL)

THIS DRAWING IS A CONTROLLED DOCUMENT. QUESTO DISEGNO È UN DOCUMENTO DI PROPRIETÀ E RESPONSABILITÀ DELL'AMP INCORPORATED, E' SOGGETTO A VARIAZIONI. PER OTTENERE L'ULTIMA REVISIONE DEL DISEGNO CONTATTARE L'UFFICIO TECNICO RESPONSABILE.		DWN/DIS. 24NOV2000 M. SARDI	TE Connectivity	
DIMENSIONS: DIMENSIONI: (MM)		CHK/CONT. 24NOV2000 O. CANUTO	NAME NONE	
TOLERANCES UNLESS OTHERWISE SPECIFIED: TOLLERANZE: SE NON DIVERSAMENTE SPECIFICATO		APVD/APP. -	6 POS. MT11 RECEPTACLE CONNECTOR ASSEMBLY (CONNETTORE 6 VIE PER CONTATTI MT-11)	
0 PLC/DEC: ±0.5 1 PLC/DEC: ±0.3 2 PLC/DEC: ±0.1 3 PLC/DEC: ± 4 PLC/DEC: ± ANGLES/ANGOLI ±1°		PRODUCT SPEC SPEC DI PRODOTTO 108-20230	SIZE A2	RESTRICTED TO -
MATERIAL FINISH FINITURA		APPLICATION SPEC SPEC DI APPLICAZIONE 411-20068	CAGE CODE 0779	DRAWING NO. NUMERO 284716
2		WEIGHT PESO -	SCALE 3:1	SHEET 2 OF 2
CUSTOMER DRAWING DISEGNO PER CLIENTE SOLO PER RIFERIMENTO		REV D5		

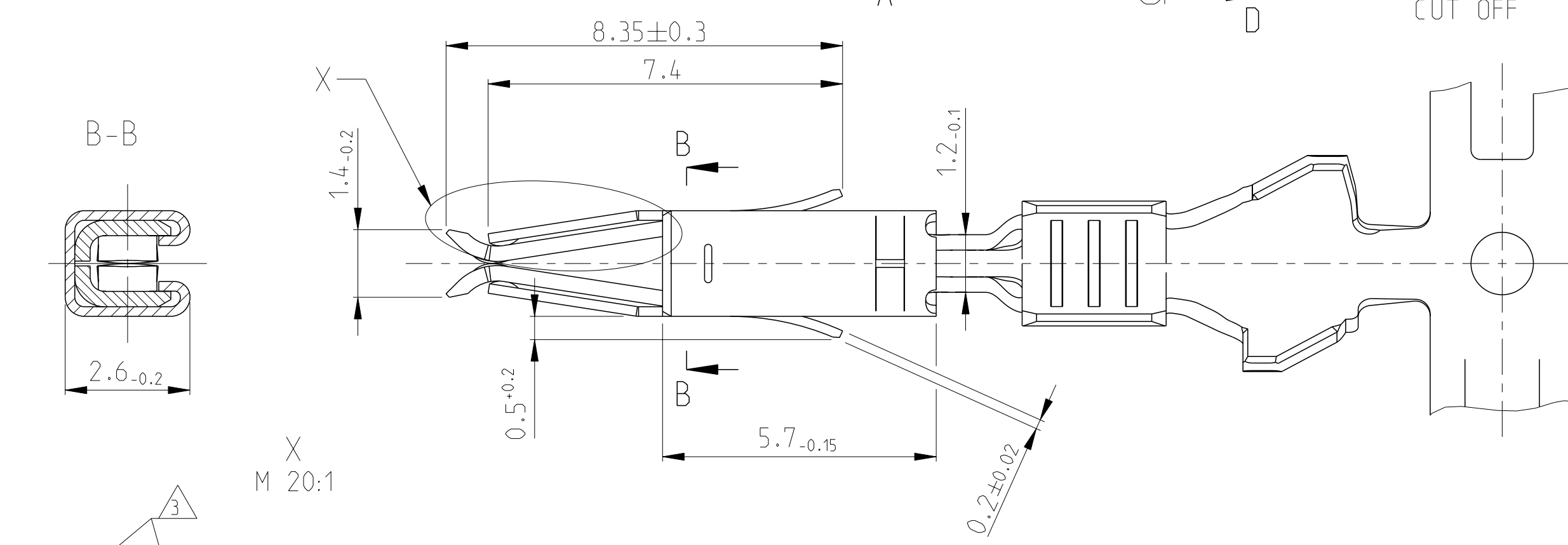
THIS DRAWING IS UNPUBLISHED. RELEASED FOR PUBLICATION 2008
 © COPYRIGHT 2008 ALL RIGHTS RESERVED.

REVISIONS					
P	LTR	DESCRIPTION	DATE	DWN	APVD
N5		PRODUCT SPEC CORRECTED	23JUN2014	Ho.	Eder
N6		ECR-15-012070	13AUG2015	JBH	BK
N7		OBSOLETE PNS 962876-6, -7	11MAR2022	KMD	JC
N8		Added note 7 in the table in gap VERSION for PN 962876-1/-2	24OCT2022	FRAN	SCHI

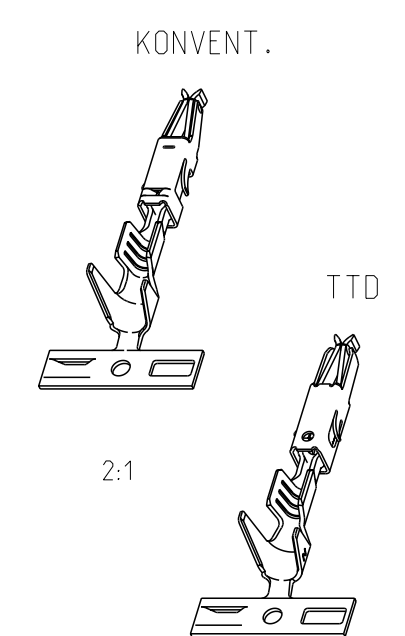
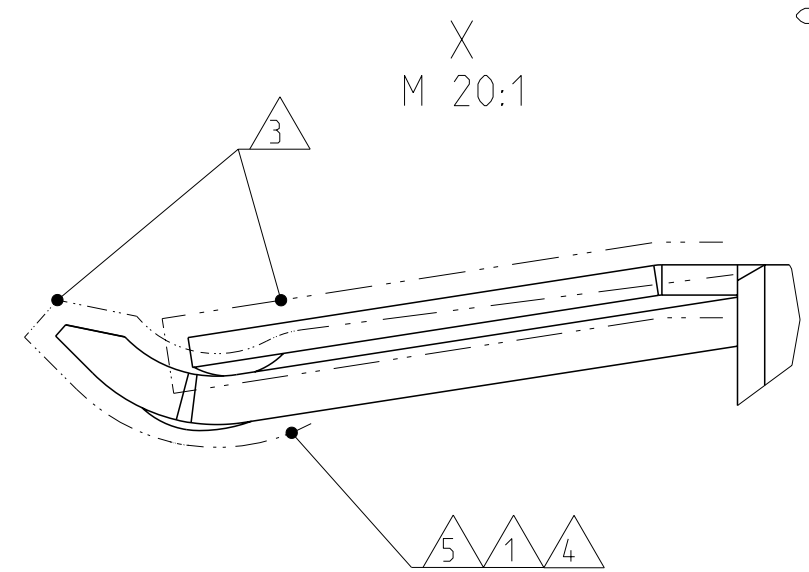
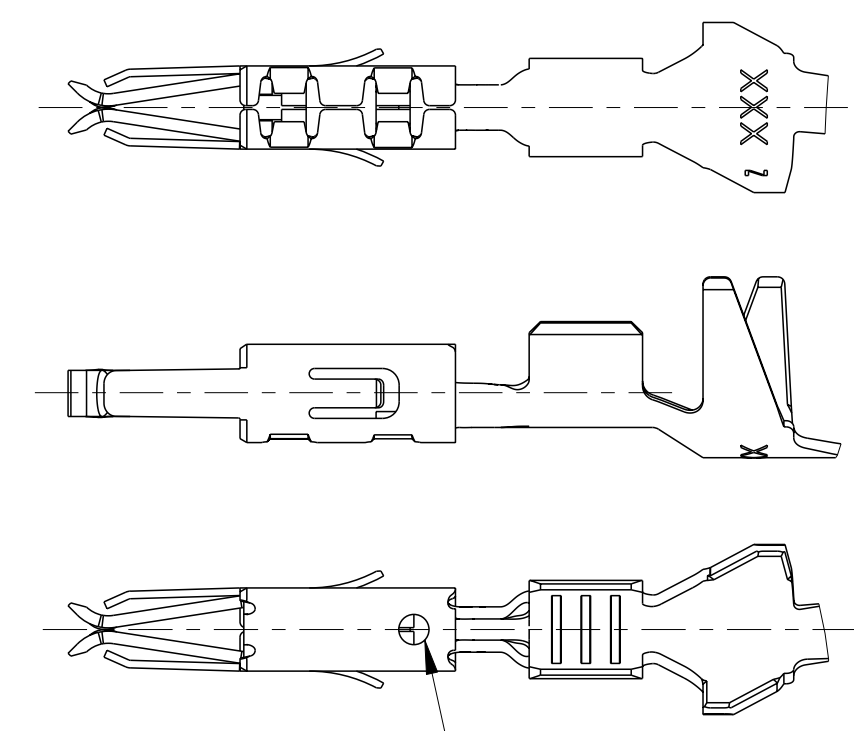
7 KONVENTIONELL



- 1 SELECTIVE GOLD PLATED MIN. 0.8 µm OVER NI
selektiv vergoldet 0.8 µm ueber Ni
- 2 TIN PLATED MIN. 0.2 µm OVER NI
verzinkt 0.2 µm ueber Ni
- 3 CONTACT SURFACE SEL. GOLD PLATED MIN. 0.8 µm OVER NI
CANTILEVER SPRING COMPLETELY GOLD PLATED ON BOTH SIDES
sel. vergoldet auf der Kontaktobersseite 0.8 µm min. ueber Ni
Ueberfeder komplett auf beiden Seiten vergoldet
- 4 GAL. TIN PLATED MIN. 1.0 µm OVER NI
gal. verzinkt 1.0 µm ueber Ni
- 5 SELECTIVE GOLD PLATED MIN. 1.27 µm OVER NI
selektiv vergoldet 1.27 µm min. ueber Ni
- 6 WIRE RANGE : 0.5 - 1.0 mm²
INSULATION-Ø: 2.8 mm (SINGLE WIRE SEAL)
Drahtgrossenbereich: 0.5 - 1.0 mm²
Isolations-Ø: 2.8 mm (Einzeldichtung)



8 TWO TRACK DIE
M 5:1



VERSION	SURFACE / Oberflaeche	MATERIAL	PART NO	REV		
OBsolete	8 7	5 2	CuFe2	962876-7	B	
OBsolete	8 7	3 4 2	CuSn4	962876-6	N	
	8 7	1 2	CuFe2	962876-5	N	
	8 7	1 2	CuSn4	962876-3	N	
	8 7		PRETIN / vorverzinkt	CuFe2	962876-2	N
	8 7		PRETIN / vorverzinkt	CuSn4	962876-1	N

THIS DRAWING IS A CONTROLLED DOCUMENT.

DWN R.Hofer	05-JAN-89	TE Connectivity MICRO TIMER 2 CONTACT WITH DOUBLE LOCKING LANCE mit doppelter Rastfeder
CHK L.Nix	05-APR-89	
APVD M.Bleicher	25-JUN-08	
PRODUCT SPEC	108-18055	
DIMENSIONS: mm	TOLERANCES UNLESS OTHERWISE SPECIFIED:	NAME
0-PLC ±	1-PLC ±	SIZE
2-PLC ±	2-PLC ±	CAGE CODE
3-PLC ±	3-PLC ±	DRAWING NO
4-PLC ±	4-PLC ±	RESTRICTED TO
ANGLES ±2°	FINISH	WEIGHT
		0.3 g
		Customer Drawing

SCALE 10:1 SHEET 1 OF 1 REV N8

Printed on 24 Oct 2022 15:34 (Mittel Europa from TE220462)

