

M 284716-3K



MINIKIT

Proseguire nella pagina successiva per visualizzare la scheda tecnica dei componenti

Revisione	Prodotto
REV.00 13/04/2026	OEM

THIS DRAWING IS UNPUBLISHED.
QUESTO DISEGNO NON DEVE ESSERE DIVULGATO O RIPRODOTTO

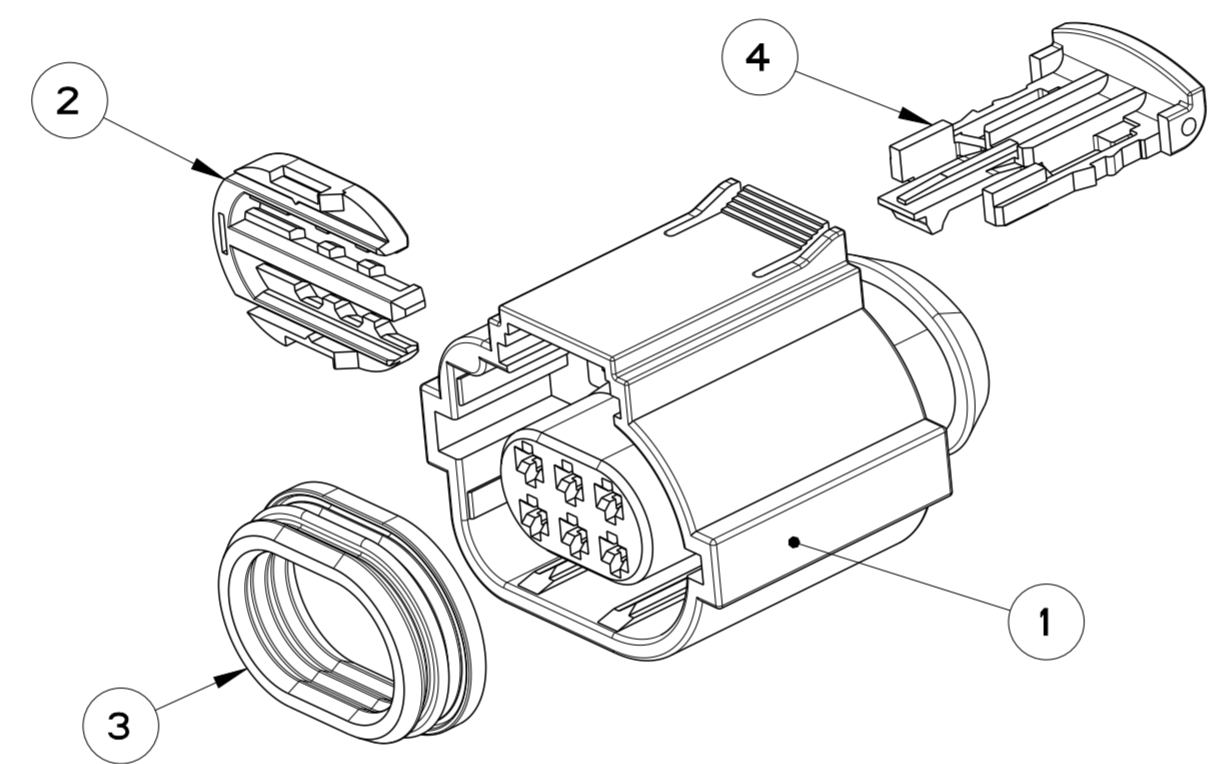
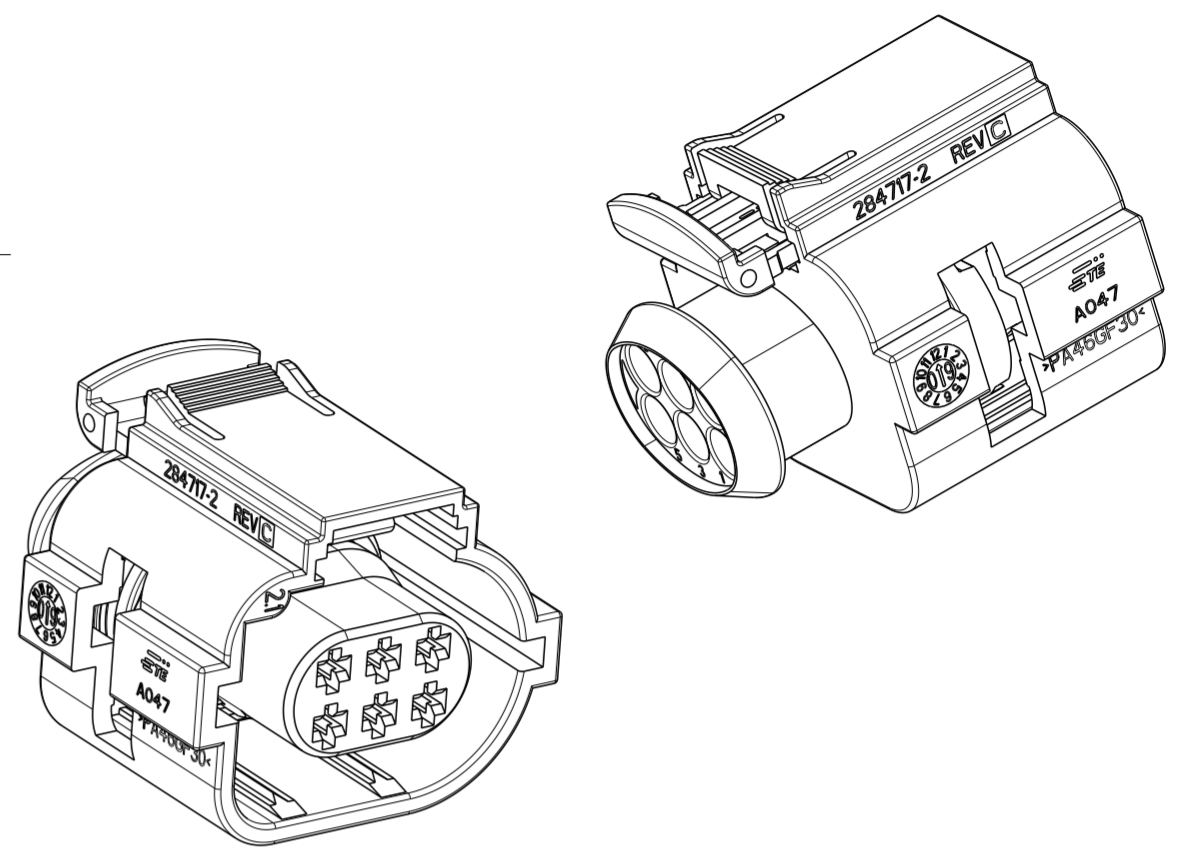
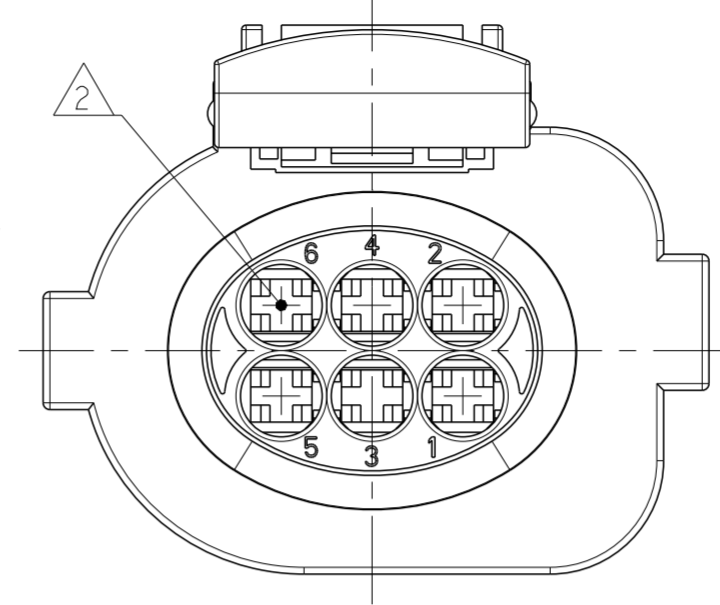
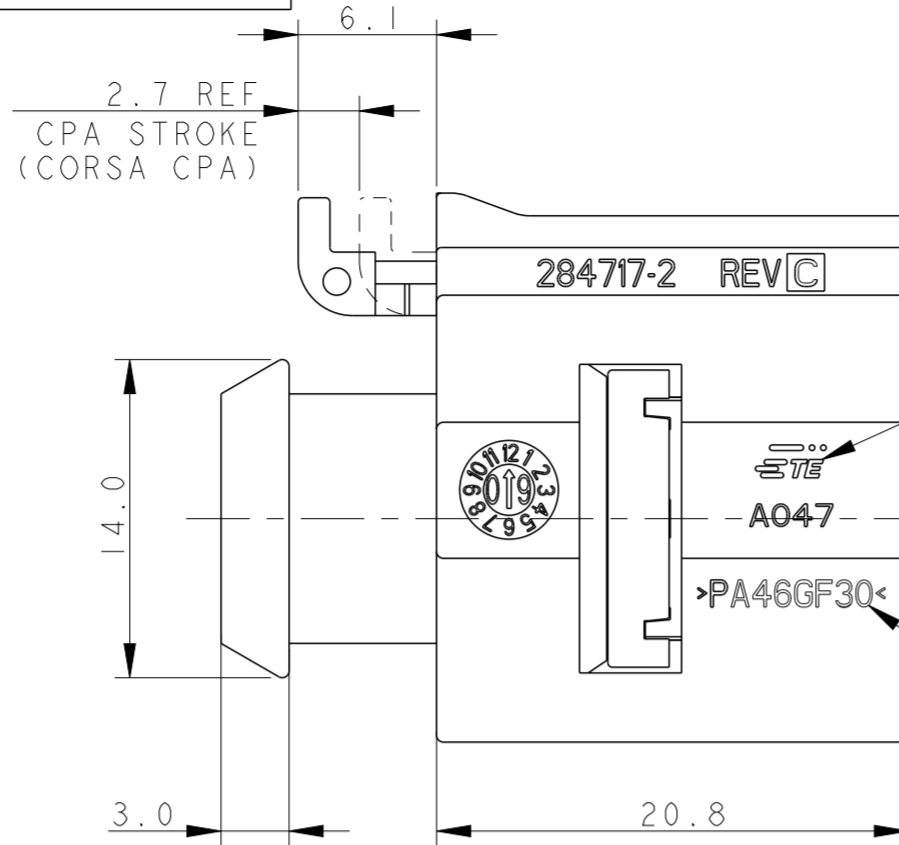
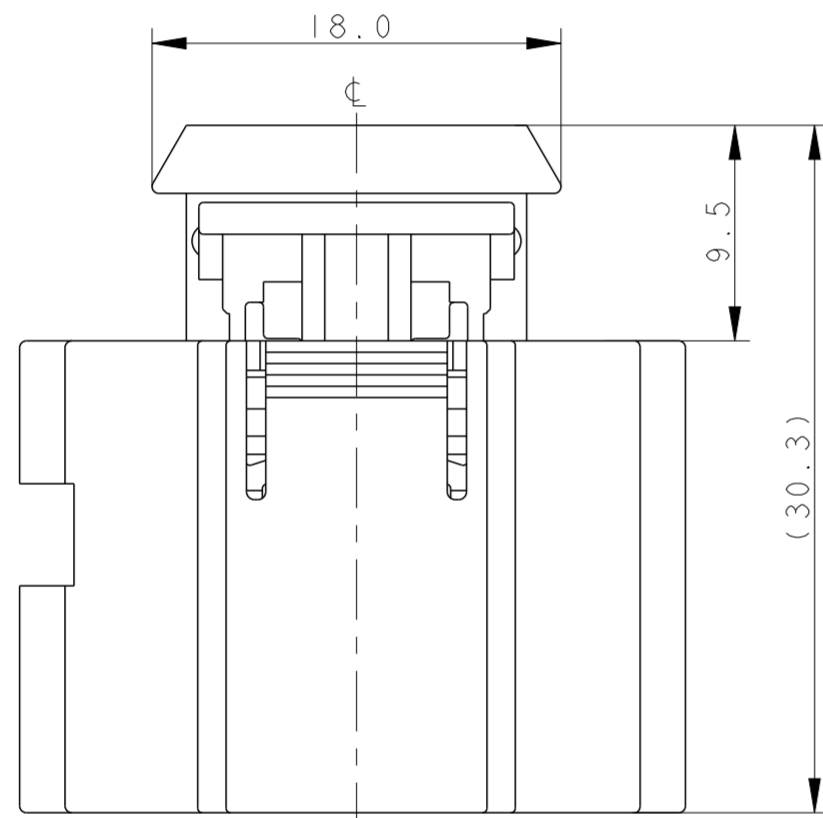
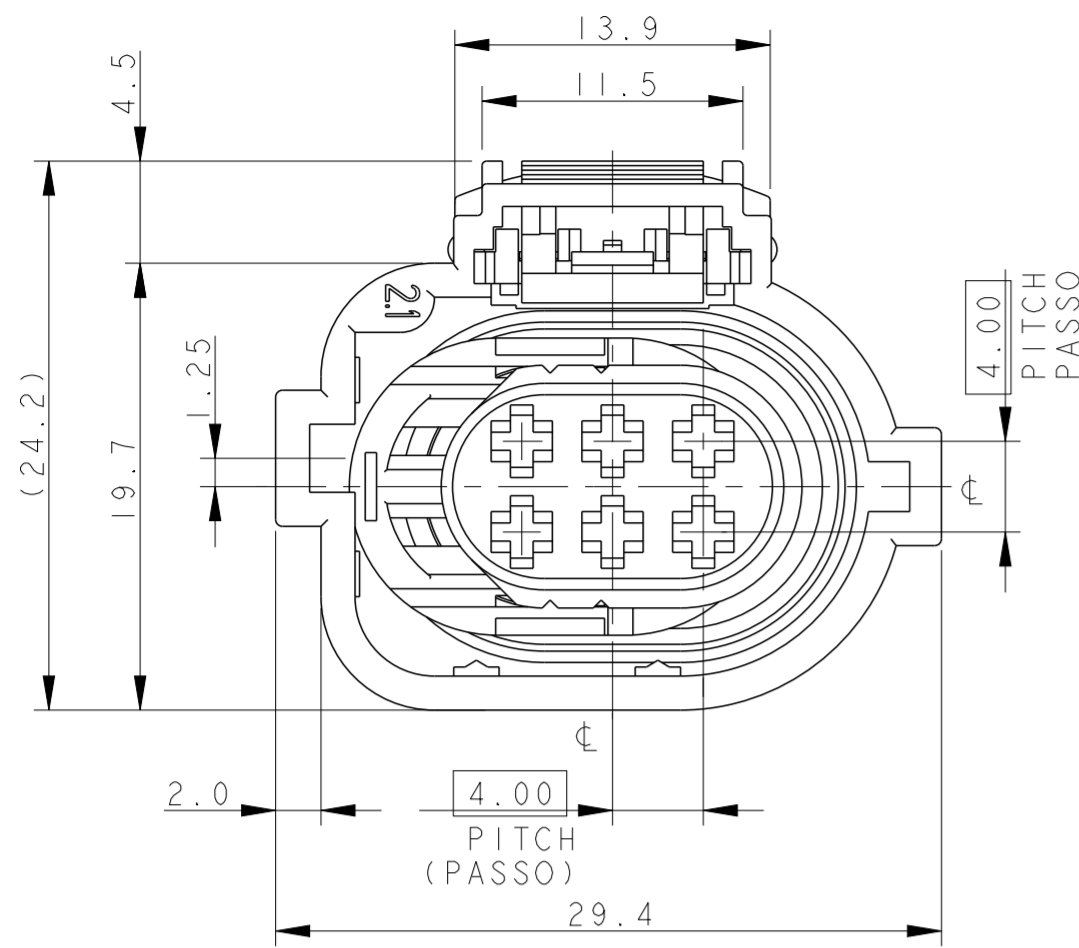
RELEASED FOR PUBLICATION
E' CONSENTITA LA DIVULGAZIONE

2000

ALL RIGHTS RESERVED.
TUTTI I DIRITTI SONO RISERVATI

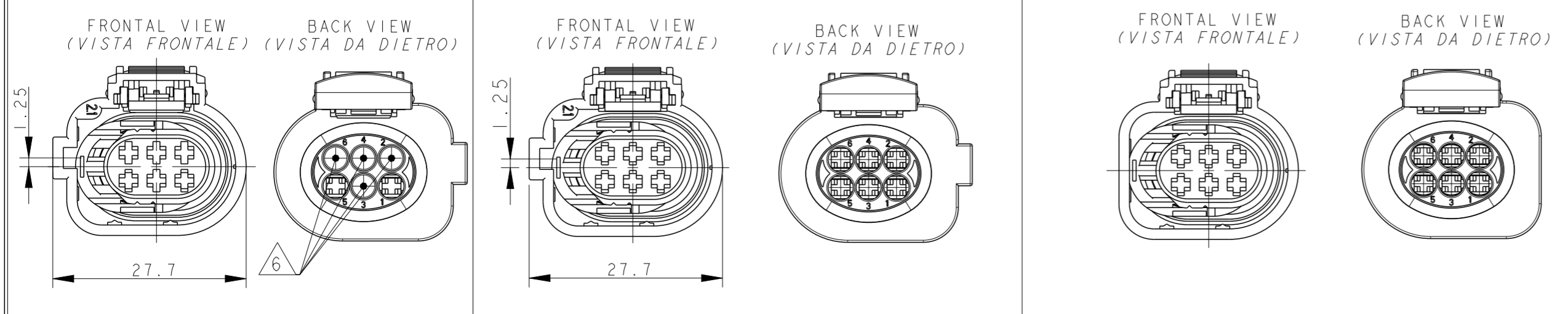
© COPYRIGHT 2000

LOC		DIST		REVISIONS			
P	LTR	REV	DESCRIPTION	DATE	DWN	APVD	APP.
DESCRIZIONE				DATA	DIS.		
	D4		ADDED -7 VERSION (ECO-17-014569)	05OCT2017	M.G.	M.G.	
	D5		REVISED PER ECO-18-005949	18DEC2017	AP	MG	



- 1) FEMALE CONNECTOR SUPPLIED WITH SECONDARY LOCK AND C.P.A. PRE-ASSEMBLED (CONNETTORE PORTAFEMMINE FORNITO CON SECONDARY LOCK E C.P.A. PRE-MONTATI)
- 2) CAVITIES SUITABLE FOR MICRO TIMER II STD. P/N 962876 WIRE RANGE: 0.50+1.0 mm² AND TYPE A CONTACTS ACC. TO PRODUCT GROUP DRAWING 1355045 (WIRE RANGE: 0.50+1.0 mm²) SINGLE WIRE SEAL P/N 964971-1 (0.50 mm²), P/N 963530-1 (0.75 mm²) AND P/N 964972-1 (1.0 mm²). CAVITY PLUG P/N 963531-1. (CAVITA' ADATTE PER CONTATTI MICRO TIMER II STD. P/N 962876 SEZ. FILO: 0.50+1.0 mm² E TIPO A IN ACCORDO AL DISEGNO DI GRUPPO 1355045 (SEZ. FILO: 0.50+1.0 mm²) GOMMINO P/N 964971-1 (0.50 mm²), P/N 963530-1 (0.75 mm²) E P/N 964972-1 (1.0 mm²). TAPPO CAVITA' P/N 963531-1).
- 3) FOR COUNTERPART INTERFACE DRAWING SEE SHEET 2 OF 2 (PER IL DISEGNO DELLA CONTROPARTE DI INTERFACCIA, VEDI FOGLIO 2 DI 2)
- 4) MATERIAL AND COLOUR FOR 284716-2: PA4.6 GF30, BLACK MATERIAL AND COLOUR FOR 1-284716-2: PBT GF30, BLACK MATERIAL AND COLORS OTHER DASHES: SEE TABLE (MATERIALE E COLORI ALTRE BARRER: VEDERE TABELLA)
- 5) TYCO ELECTRONICS TRADEMARK (OR, IN ALTERNATIVE, tyco)

P/N 284716-1 REV. D 4 HOUSING COLOUR: GREY; MATERIAL: PA 4.6 GF 30 6 PLUGGED CAVITIES (Nr. 2-3-4-6) (CAVITA' TAPPATE Nr. 2-3-4-6) P/N 1-284716-1 REV. D 4 HOUSING COLOUR: GREY; MATERIAL: PBT GF 30 6 PLUGGED CAVITIES (Nr. 2-3-4-6) (CAVITA' TAPPATE Nr. 2-3-4-6)	P/N 284716-3 REV. D 4 HOUSING COLOUR: BROWN; MATERIAL: PA 4.6 GF 30 P/N 284716-5 REV. D 4 HOUSING COLOUR: GREY; MATERIAL: PA 4.6 GF 30 P/N 284716-7 REV. D 4 HOUSING COLOUR: BLACK; MATERIAL: PA 4.6 GF 30	P/N 1-284716-3 4 HOUSING COLOUR: BROWN; MATERIAL: PBT GF 30 P/N 1-284716-5 REV. D 4 HOUSING COLOUR: GREY; MATERIAL: PBT GF 30 P/N 1-284716-7 REV. D 4 HOUSING COLOUR: BLACK; MATERIAL: PBT GF 30	P/N 284716-4 REV. D 4 HOUSING COLOUR: BLACK; MATERIAL: PA 4.6 GF 30 P/N 284716-6 REV. D 4 HOUSING COLOUR: BLACK; MATERIAL: PA66 G.F 30. 3 TE CONNECTIVITY COUNTERPART: P/N 1565597-1	P/N 1-284716-4 REV. D 4 HOUSING COLOUR: BLACK; MATERIAL: PBT GF 30
---	--	--	--	--



P/N 284716-2 / 1-284716-2 REV. D AS SHOWN

ITEM	DESCRIPTION (DESCRIZIONE)	MATERIAL (MATERIALE)	COLOUR (COLORE)	Q.TY (Q.TA')
1	HOUSING (BLOCCHETTO)	4	4	1
2	SECONDARY LOCK (AGGANCIO SECONDARIO)	PA66 G.F 30	RED (ROSSO)	1
3	PERIPHERAL SEAL (GUARNIZIONE)	LSR (GOMMA SILICONICA)	RED (ROSSO)	1
4	C.P.A.	PA66 G.F 13	YELLOW (GIALLO)	1

THIS DRAWING IS A CONTROLLED DOCUMENT. QUESTO DISEGNO È UN DOCUMENTO DI PROPRIETÀ E RESPONSABILITÀ DELL'AMP INCORPORATED, È SOGGETTO A VARIAZIONI. PER OTTENERE L'ULTIMA REVISIONE DEL DISEGNO CONTATTARE L'UFFICIO TECNICO RESPONSABILE.

DWN/DIS: M. SARDI 24NOV2000
CHK/CONT: O. CANUIO 24NOV2000

DIMENSIONS: DIMENSIONI: (MM)

TOLERANCES UNLESS OTHERWISE SPECIFIED: TOLLERANZE: SE NON DIVERSAMENTE SPECIFICATO

0 PLC/DEC: ±0.5
1 PLC/DEC: ±0.3
2 PLC/DEC: ±0.1
3 PLC/DEC: ±0.1
4 PLC/DEC: ±0.1

ANGLES/ANGOLI: ±1°

MATERIAL FINITURA: SEE TABLE

FINISH: SEE TABLE

PRODUCT SPEC SPEC DI PRODOTTO: 108-20230

APPLICATION SPEC SPEC DI APPLICAZIONE: 411-20068

WEIGHT PESO: -

CUSTOMER DRAWING DISEGNO PER CLIENTE SOLO PER RIFERIMENTO

SCALE SCALA: 3:1

SHEET OF: 1 OF 2

REV: D5

NAME: M. SARDI

NUMERO: 24NOV2000

DRAWING NO: C-284716

RESTRICTED TO: -

THIS DRAWING IS UNPUBLISHED.
 QUESTO DISEGNO NON DEVE ESSERE DIVULGATO O RIPRODOTTO

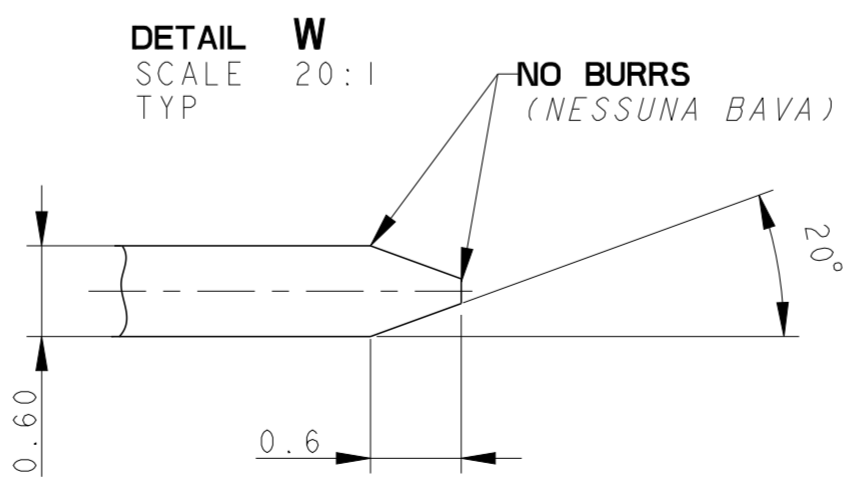
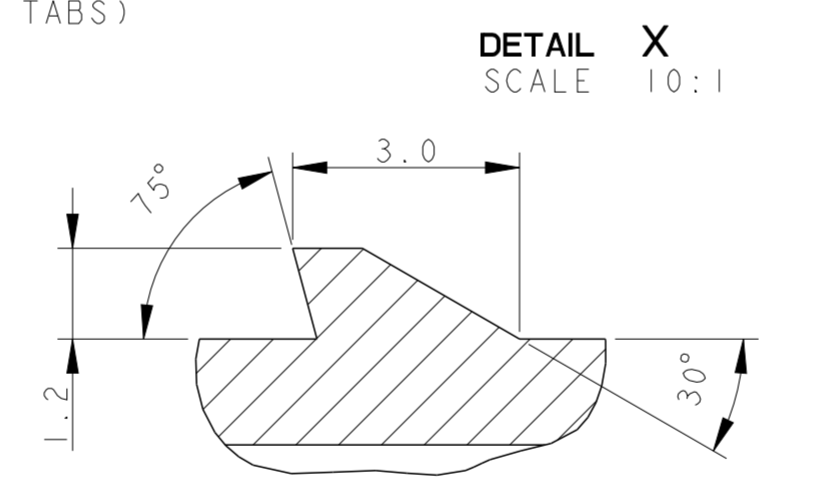
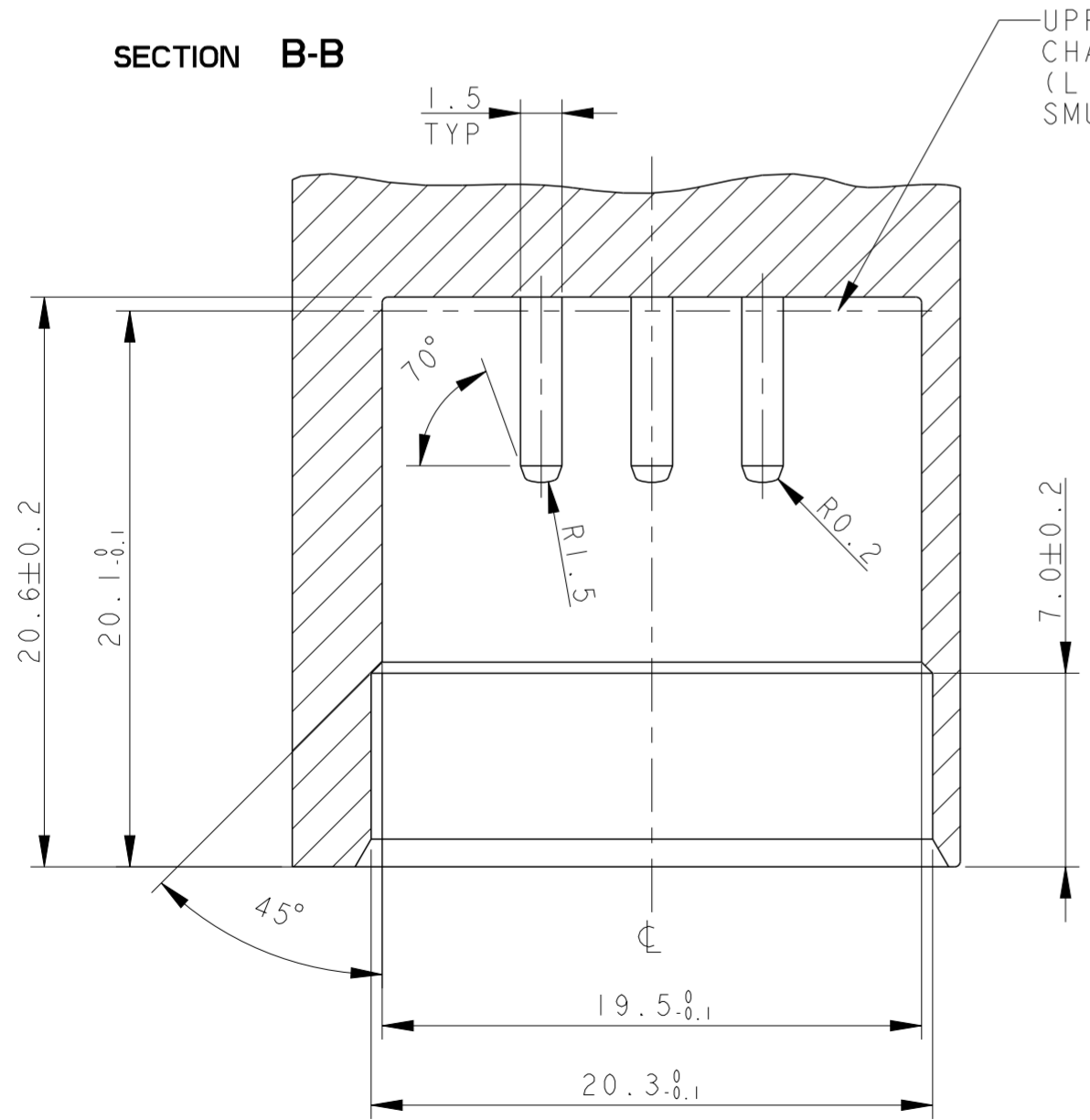
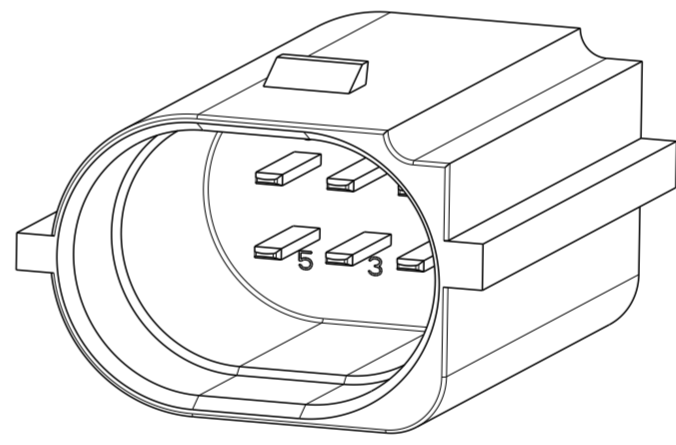
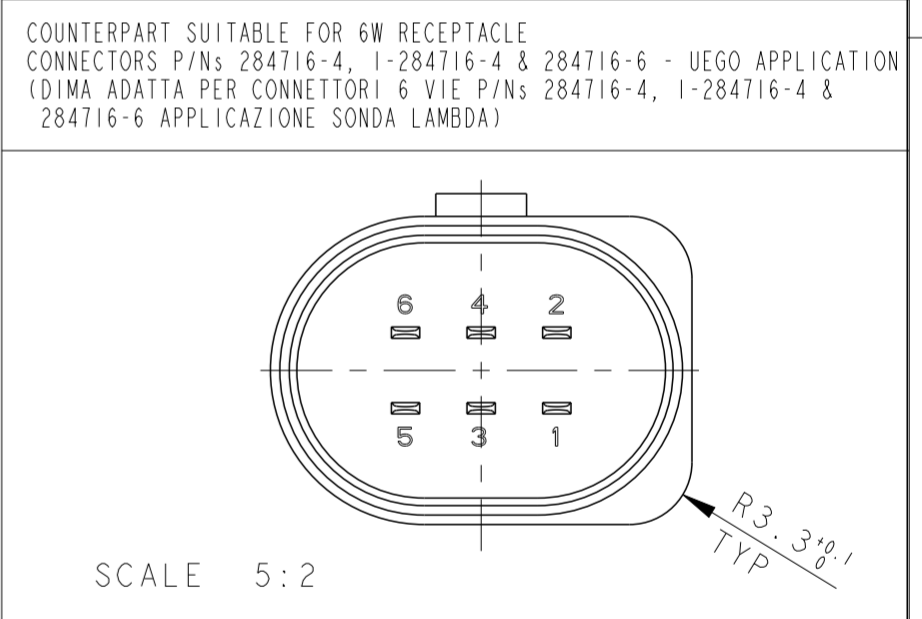
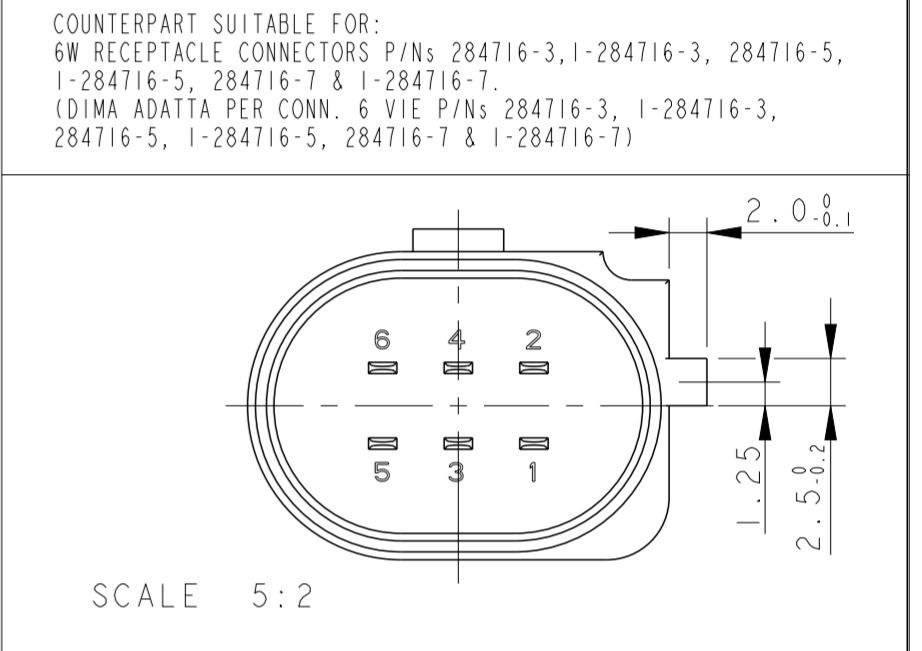
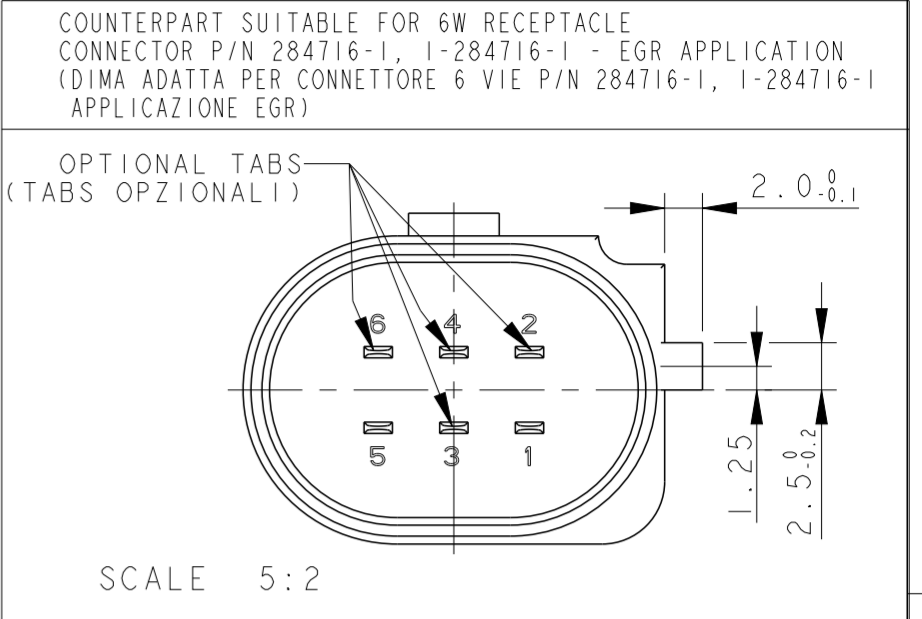
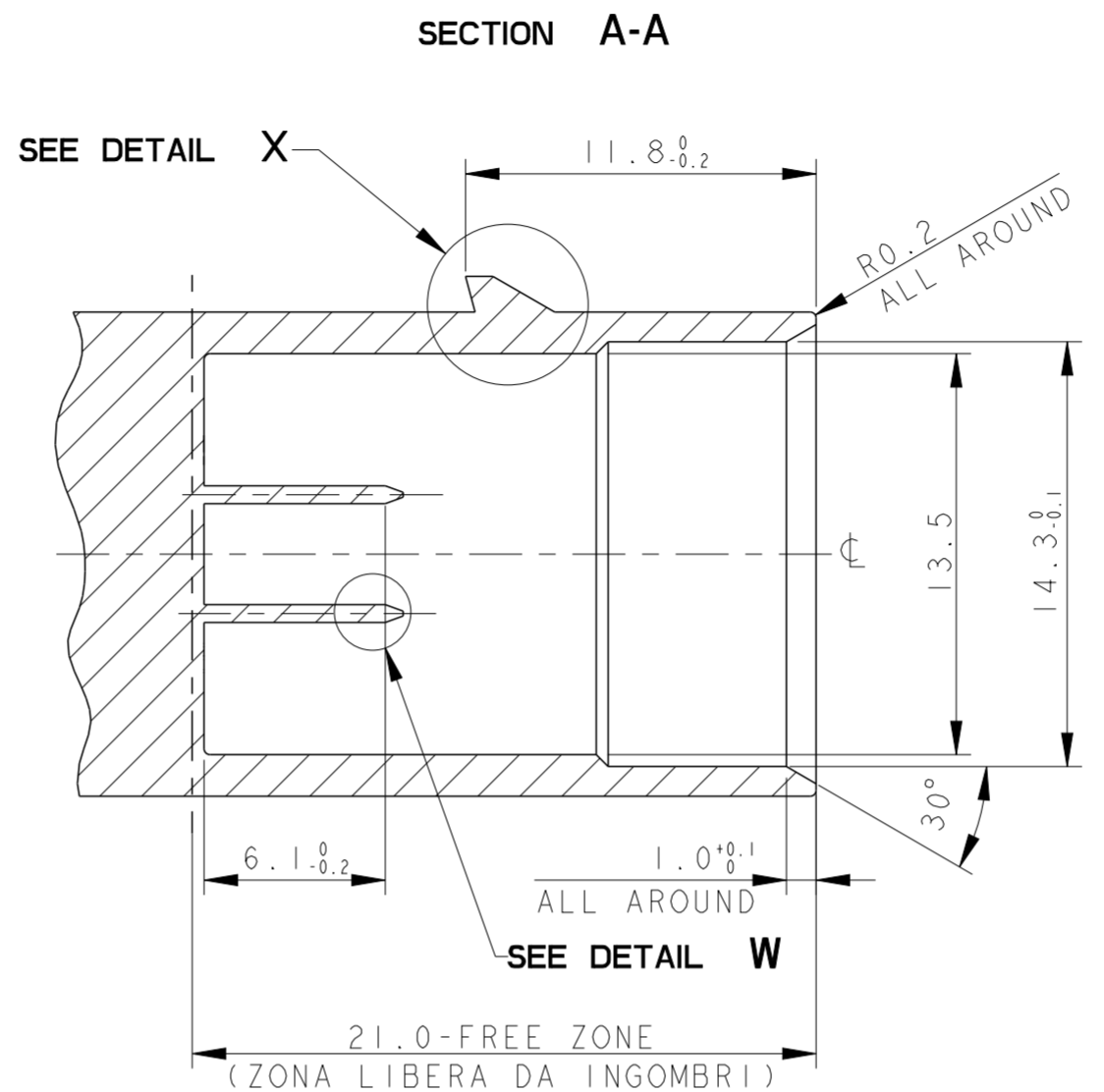
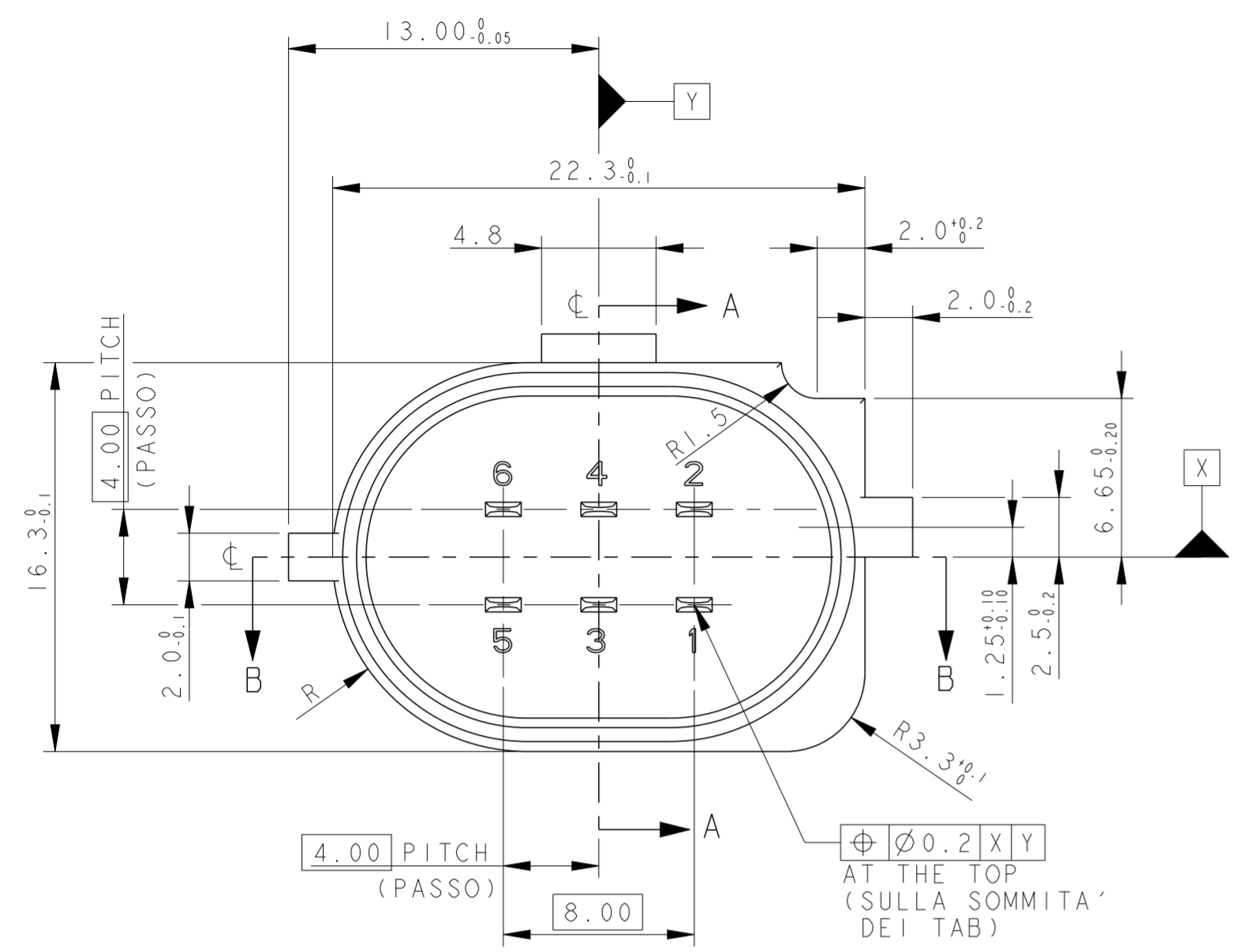
RELEASED FOR PUBLICATION
 E' CONSENTITA LA DIVULGAZIONE

2000

ALL RIGHTS RESERVED.
 TUTTI I DIRITTI SONO RISERVATI

© COPYRIGHT 2000

LOC	DIST	REVISIONS			DATE	DWN	APVD
A1	-	P	LTR	DESCRIPTION	DATA	DIS.	APP.
			REV	DESCRIZIONE			
SEE SHEET 1							



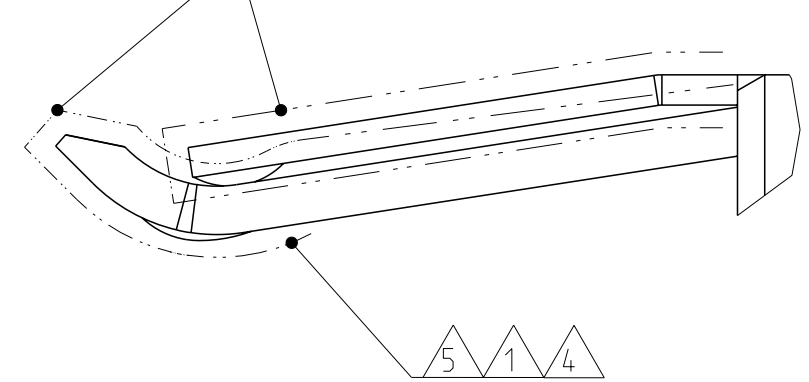
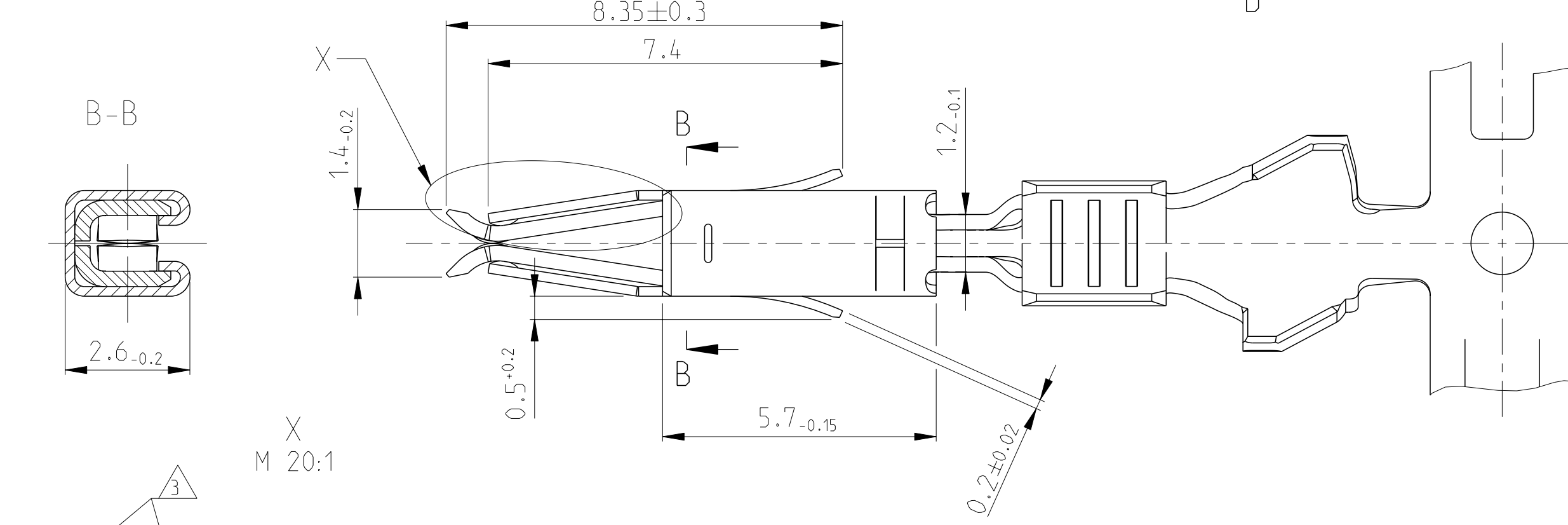
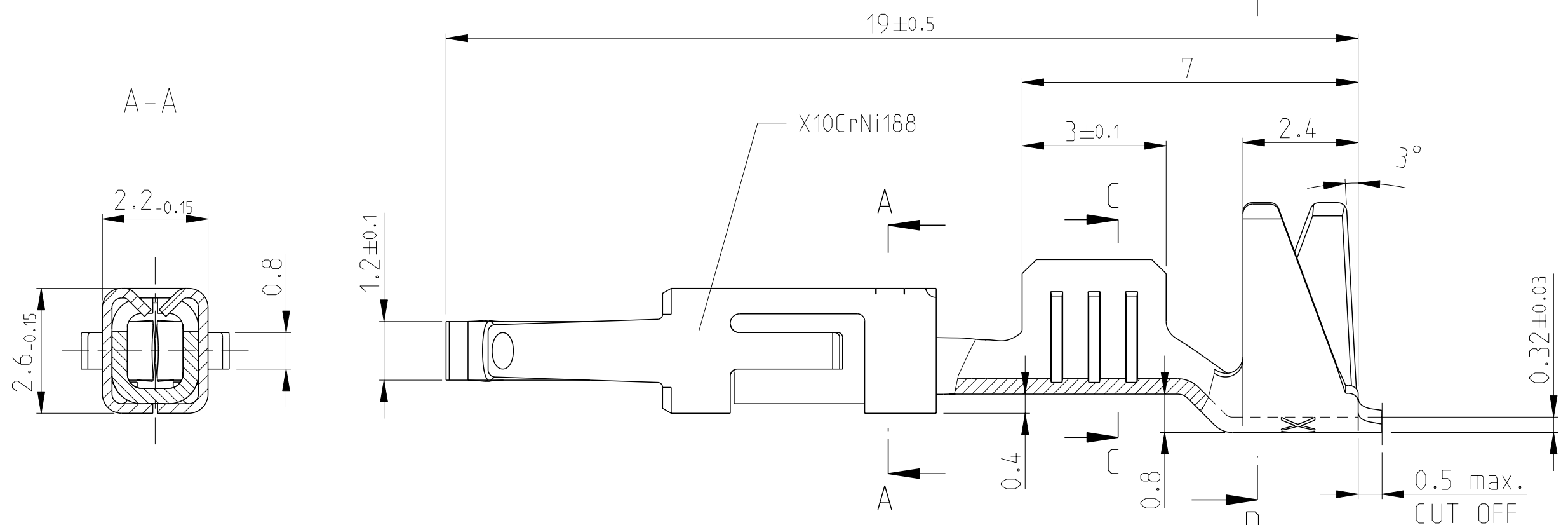
1) COUNTERPART SUITABLE FOR 6W RECEPTACLE HOUSING FOR MT2 CNT FOR THROTTLE VALVE P/N 284716-2, 1-284716-2 AS SHOWN (DISEGNO DIMA ADATTA PER CONNETTORE 6W PER CONTATTI MT2 PER VALVOLA FARFALLATA P/N 284716-2, 1-284716-2)

2) MATERIALS (MATERIALI):
 BODY: PLASTIC MATERIAL SUITABLE FOR 140°C TEMPERATURE (CORPO: MATERIALE PLASTICO ADATTO AD UNA TEMPERATURA DI 140°C)
 TABS: BRONZE (CuSn6) WITH 0.8µm MIN. GOLD OVER 2µm MIN. NICKEL (LINGUETTE: BRONZO CON 0.8µm MIN. DI ORO SU 2µm MIN. DI NICKEL)

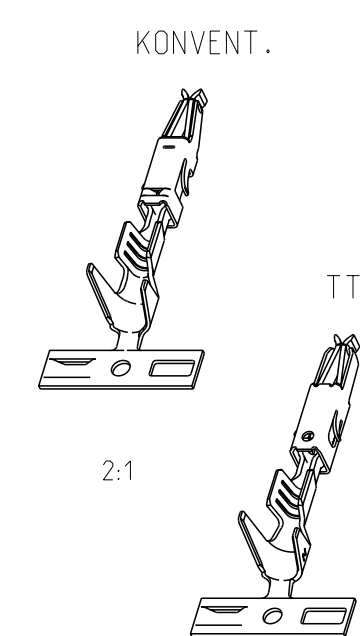
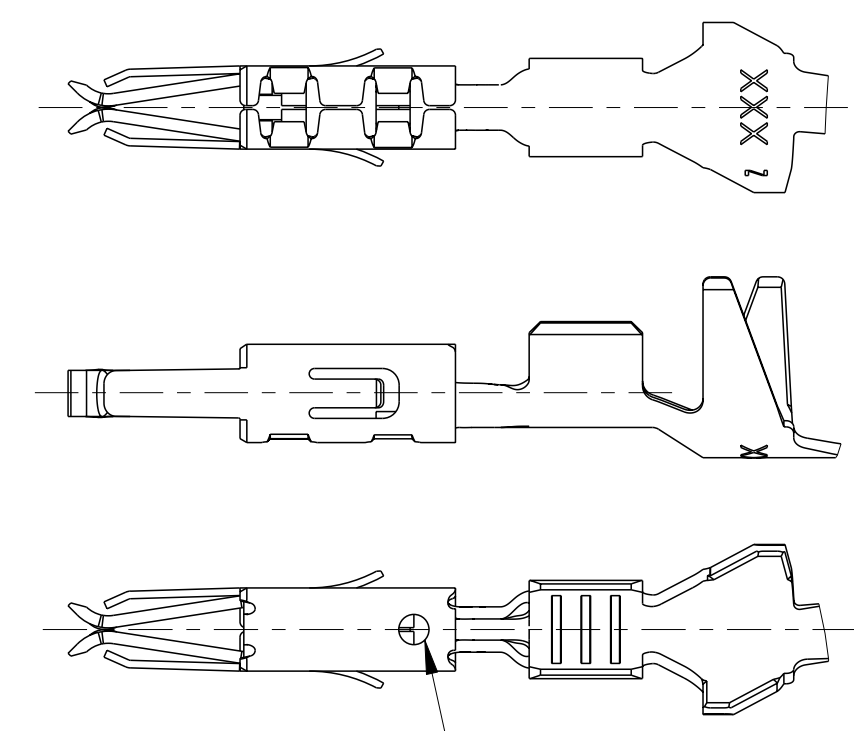
THIS DRAWING IS A CONTROLLED DOCUMENT. QUESTO DISEGNO È UN DOCUMENTO DI PROPRIETÀ E RESPONSABILITÀ DELL'AMP INCORPORATED, E' SOGGETTO A VARIAZIONI. PER OTTENERE L'ULTIMA REVISIONE DEL DISEGNO CONTATTARE L'UFFICIO TECNICO RESPONSABILE.		DWN/DIS: 24NOV2000 M. SARDI	TE Connectivity	
DIMENSIONS: DIMENSIONI: (MM)		CHK/CONT: 24NOV2000 O. CANUTO	NAME: 6 POS. MT11 RECEPTACLE CONNECTOR ASSEMBLY (CONNETTORE 6 VIE PER CONTATTI MT-11)	
TOLERANCES UNLESS OTHERWISE SPECIFIED: TOLLERANZE: SE NON DIVERSAMENTE SPECIFICATO		APVD/APP.:	PRODUCT SPEC SPEC DI PRODOTTO: 108-20230	SIZE: A2
0 PLC/DEC: ±0.5 1 PLC/DEC: ±0.3 2 PLC/DEC: ±0.1 3 PLC/DEC: ± 4 PLC/DEC: ± ANGLES/ANGOLI ±1°		FINISH FINITURA	APPLICATION SPEC SPEC DI APPLICAZIONE: 411-20068	CAGE CODE: 0779
MATERIAL MATERIALE		WEIGHT PESO	DRAWING NO. NUMERO: C-284716	RESTRICTED TO
2			SCALE: 3:1	SHEET: 2 OF 2
CUSTOMER DRAWING		DISEGNO PER CLIENTE SOLO PER RIFERIMENTO		REV: D5

LOC	DIST	REVISIONS			
P	LTR	DESCRIPTION	DATE	DWN	APVD
A1	-				
N5		PRODUCT SPEC CORRECTED	23JUN2014	Ho.	Eder
N6		ECR-15-012070	13AUG2015	JBH	BK
N7		OBSOLETE PNS 962876-6, -7	11MAR2022	KMD	JC
N8		Added note 7 in the table in gap VERSION for PN 962876-1/-2	24OCT2022	FRAN	SCHI

7 KONVENTIONELL



8 TWO TRACK DIE
M 5:1



- 1 SELECTIVE GOLD PLATED MIN. 0.8 µm OVER NI
selektiv vergoldet 0.8 µm ueber Ni
- 2 TIN PLATED MIN. 0.2 µm OVER NI
verzinkt 0.2 µm ueber Ni
- 3 CONTACT SURFACE SEL. GOLD PLATED MIN. 0.8 µm OVER NI
CANTILEVER SPRING COMPLETELY GOLD PLATED ON BOTH SIDES
sel. vergoldet auf der Kontaktobersseite 0.8 µm min. ueber Ni
Ueberfeder komplett auf beiden Seiten vergoldet
- 4 GAL. TIN PLATED MIN. 1.0 µm OVER NI
gal. verzinkt 1.0 µm ueber Ni
- 5 SELECTIVE GOLD PLATED MIN. 1.27 µm OVER NI
selektiv vergoldet 1.27 µm min. ueber Ni
- 6 WIRE RANGE : 0.5 - 1.0 mm²
INSULATION-Ø: 2.8 mm (SINGLE WIRE SEAL)
Drahtgrossenbereich: 0.5 - 1.0 mm²
Isolations-Ø: 2.8 mm (Einzeldichtung)

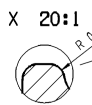
VERSION	SURFACE / Oberflaeche	MATERIAL	PART NO	REV		
OBsolete	8 7	5 2	CuFe2	962876-7	B	
OBsolete	8 7	3 4 2	CuSn4	962876-6	N	
	8 7	1 2	CuFe2	962876-5	N	
	8 7	1 2	CuSn4	962876-3	N	
	8 7		PRETIN / vorverzinkt	CuFe2	962876-2	N
	8 7		PRETIN / vorverzinkt	CuSn4	962876-1	N

N8

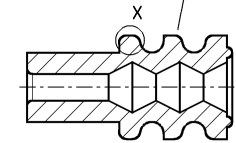
THIS DRAWING IS A CONTROLLED DOCUMENT.		DWN R.Hofer 05-JAN-89	TE Connectivity	
DIMENSIONS: mm		CHK L.Nix 05-APR-89		
TOLERANCES UNLESS OTHERWISE SPECIFIED:		APVD M.Bleicher 25-JUN-08	NAME	
0-PLC	±	PRODUCT SPEC	MICRO TIMER 2 CONTACT WITH DOUBLE LOCKING LANCE mit doppelter Rastfeder	
1-PLC	±	APPLICATION SPEC	SIZE	CAGE CODE
2-PLC	±0.2	114-18081	A2	00779
3-PLC	±	WEIGHT	DRAWING NO	RESTRICTED TO
4-PLC	±	0.3 g	C-962876	-
ANGLES	±2°	Customer Drawing	SCALE	SHEET
FINISH			10:1	1 OF 1
				REV N8

printed on 24 Oct 2022 15:34 (Mitteleurop from TE220462)

alternatively only for / wahlweise nur fuer:
 ID-Nr.: 401 257 / Part-No.: 1532791B
 ID-Nr.: 406 131 / Part-No.: 1532791B
 ID-Nr.: 406 129 / Part-No.: 15339412



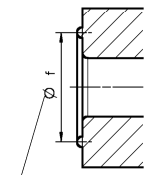
middle sealing lip alternatively bent only for:
 mittlere Dichtlippe wahlweise gedreht nur fuer:
 ID-Nr.: 401 257 / Part-No.: 1532791B
 ID-Nr.: 406 131 / Part-No.: 1532791B
 ID-Nr.: 406 129 / Part-No.: 15339412



Parts not allowed on front face to stick together (afd.-Nr.: 4-6)
 Teile duerfen stimsseitig nicht miteinander verkleben (afd.-Nr.: 4-6)

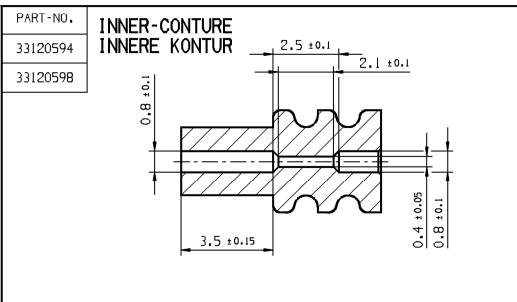
revolve round optionally interrupt injection point possible
 umlaufend wahlweise unterbrochen Anspritzung moeglich

parting line / injection point possible
 Werkzeugtrennung / Anspritzung moeglich



flange only for Pos.: 7-11,19,20
 Ausfuehrung nur fuer Pos.: 7-11,19,20

Loose / Lose				Put on the belt / geguert				Pos.	Cbl.φ Ltg.φ	Cable cross-section mm ² altern. Leitungsquerschnitt mm ² wahlw.		Color Farbe	SIM RAL	Dimension φ Mass φ					
ID-Nr.:	Part-No.:	Part REV	Date Datum	ID-Nr.:	Part-No.:	Part-REV	Date Datum			FLY	FLRY			ax0,1	bx0,2	cx0,2	dx0,1	e+0,1 -0,2	fs0,2
Seal for female-terminal 1,5 mm and tab-terminal 1,5 mm Dichtung fuer Flachsteckhuelse 1,5 mm und Flachstecker 1,5 mm																			
---	33120594	01	310C13	---	---	---	---	0,8-12	0,08-0,13	black schwarz	9011	---	---	2,6	3,9	2,6	---		
406 131	1532791B	42	13JN00	---	---	---	2	12-16	0,35-0,5	wine red weinrot	3027	0,8	1,4	2,6	3,9	2,6	---		
401 257	1532791B	42	13JN00	401 258	15344666	42	13JN00	1	12-2,0	gray gelb	7000	1,0	1,9	2,6	3,9	2,6	---		
---	15344778	37	05MY99	---	---	---	12	1,4-2,0	0,5-1,0	green gruenn	6010	1,0	1,9	2,6	3,9	2,6	---		
406 129	15339412	42	13JN00	---	---	---	3	1,9-2,1	0,75-1,5	maize maisgelb	1007	1,5	1,9	2,6	3,9	2,6	---		
---	13735535	01	150C08	---	---	01	150C08	21	12-2,0	yellow gelb	1016	1,0	1,9	2,6	3,9	2,6	---		
---	13735527	01	150C08	---	---	01	150C08	22	12-2,0	green gruenn	6010	1,0	1,9	2,6	3,9	2,6	---		
Seal for female-terminal 2,8 mm and tab-terminal 2,8 mm Dichtung fuer Flachsteckhuelse 2,8 mm und Flachstecker 2,8 mm																			
---	33120598	01	310C13	---	---	---	---	0,8-12	0,08-0,13	wine red weinrot	3027	---	---	3,4	5,65	4,5	---		
401 199	15327860	42	13JN00	401 198	10718144	42	13JN00	4	12-2,0	blue blau	5010	0,8	1,6	3,4	5,65	4,5	---		
---	15498732	01	250C04	---	---	---	15	12-2,0	0,35	gray grau	7000	0,8	1,6	3,4	5,65	4,5	---		
404 924	10720901	01	11MY04	---	---	---	14	12-2,0	0,35	orange orange	2004	0,8	1,6	3,4	5,65	4,5	---		
401 187	15327863	42	13JN00	401 188	15344643	42	13JN00	5	2,0-2,7	red / brown rot / braun	3011	1,6	2,2	3,4	5,65	4,5	---		
401 259	15327859	42	13JN00	401 260	10720641	42	13JN00	6	2,7-3	maize maisgelb	1007	2,2	3,0	3,4	5,65	4,5	---		
Seal for female-terminal 4,8 mm and tab-terminal 4,8 mm Dichtung fuer Flachsteckhuelse 4,8 mm und Flachstecker 4,8 mm																			
401 201	15363779	42	13JN00	401 200	15344644	42	13JN00	7	12-2,0	yellow gelb	1016	0,8	1,6	6,0	9,0	7,2	3,4		
401 203	15363604	42	13JN00	401 202	15344645	42	13JN00	8	2,0-2,7	white weiss	9010	1,6	2,2	6,0	9,0	7,2	3,7		
401 205	15327864	42	13JN00	401 204	15337204	42	13JN00	9	2,7-3,8	red / brown rot / braun	3011	2,2	3,0	6,0	9,0	7,2	4,1		
401 208	15363605	42	13JN00	401 207	15344646	42	13JN00	10	4,0-4,5	green gruenn	6010	3,2	3,9	6,0	9,0	7,2	4,6		
401 210	15344647	42	13JN00	401 209	15344404	42	13JN00	11	4,7-5,3	gray grau	7000	3,8	4,8	6,5	9,0	7,2	5,15		
---	13735454	01	150C08	---	---	01	150C08	19	2,7-3,8	blue blau	5010	2,2	3,0	6,0	9,0	7,2	4,1		
---	13735480	01	150C08	---	---	01	150C08	20	2,7-3,8	green gruenn	6010	2,2	3,0	6,0	9,0	7,2	4,1		

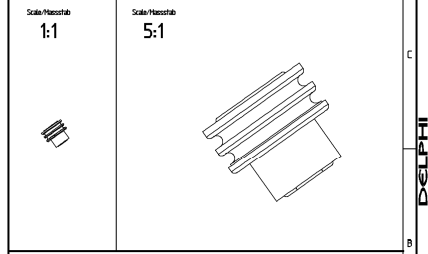


Remarks :
 - Material: Silicone, self-lubricated,
 Tensile strength: Rm min. 6,2 Nm/mm²
 Gap argumentation > 375% DIN 53 504-52
 ozoneresistant, heatresistant -40 to +180°C
 gauged on testboard

Bemerkungen :
 - Werkstoff: Silikon, selbstschmierend,
 Zugfestigkeit: Rm min. 6,2 Nm/mm²
 Reissdehnung > 375% DIN 53 504-52
 ozonbestaendig, temperaturbestaendig -40 bis +180°C
 gemessen an Pruefplatten

Zone	DWG Status REV IN P/DWG	Revision history	Date	Name	Check	St. GR
01	01	Initial release Fragebogen	16JUN00	U.Tor.	J.Moch	R.Wis.
D12	01	AA ID-Nr.: 403 960 und Part-No.: 07207A deleted ID-Nr.: 697 990 und Part-No.: 07207A corrected	05DEC02	Frimm	Cvasa	R.Wis.
C12	01	AB ID-Nr.: 608 447 und Part-No.: 076347 deleted ID-Nr.: 698 497 und Part-No.: 076347 corrected	05DEC02	Frimm	Cvasa	R.Wis.
B12	01	AC Cable φ 2,8-3,8 was 2,8-2,9 Cable φ 2,8-3,8 var. 2,8-2,9	05DEC02	Frimm	Cvasa	R.Wis.
C9	01	AD Cable φ 17-21 was 17-21 Cable φ 17-21 var. 17-21	17DEC03	Frimm	Cvasa	R.Wis.
C11	02	AE Part-No.: 072090 added Part-No.: 072090 Minus	11MY04	Frimm	Cvasa	R.Wis.
C11	03	AF Part-No.: 050872 added Part-No.: 050872 Minus	25OC04	Frimm	Cvasa	R.Wis.
C9	03	AA Cable φ 19-21 was 17-21 Cable φ 19-21 var. 17-21	24MY05	Frimm	Cvasa	R.Wis.
C/D11	03	AB Part-REV / Datum korrigiert Part-REV / Datum korrigiert	23AUG05	Frimm	Cvasa	R.Wis.
D6-12	04	AG Part-No.: 052078 Rev. 02, 01000 var. 33, 02187 Part-No.: 052793 Rev. 02, 01000 var. 33, 02187	23AUG05	Frimm	Cvasa	R.Wis.
B4	AA	Part-No.: 154461, 154462 added Part-No.: 154461, 154462 Minus	30SEP05	Frimm	Cvasa	R.Wis.
D6-12	05	Part-No.: 152046 added Part-No.: 152046 Minus	16MY06	Frimm	Cvasa	R.Wis.
C7	06	Green var. added Part-No.: 0536644 Green var. Minus Part-No.: 0536644	27JUL06	Frimm	Cvasa	R.Wis.
A9	06	AA Cable 2,8-3,8 was 2,8-2,9 Part-No.: 0537864 Cable 2,8-3,8 var. 2,8-2,9 Part-No.: 0537864	06OC06	Frimm	Cvasa	R.Wis.
A9	06	AB Cable 2,8-3,8 was 2,8-2,9 Part-No.: 0537864 Cable 2,8-3,8 var. 2,8-2,9 Part-No.: 0537864	08NOV06	Frimm	Cvasa	R.Wis.
A-D9	06	AC Pos-Numbering changed according to D-drawing Pos-Numbering an D-Zeichnung angepasst	26JAN07	Frimm	Cvasa	P.Les.
C-A6	07	Part 075244, 075240, 075235, 075237 added Teile 075244, 075240, 075235, 075237 Minus	15OCT08	W.Szo	Frimm	K.PH
D12	08	Part-No.: 154461, 154462, 1536644 deleted Teile: 154461, 154462, 1536644 entfernt	09DEC09	V.Kas	J.Saf	SYS
C8	08	AA Cable cross section for Part-No. 1539412 changed Kabelquerschnitt fuer Teil-Nr. 1539412 geaendert	01OCT13	K.Wir.	T.Plin	SYS
E12	09	Part 310094 and 310098 added Teile 310094 und 310098 Minus	31OCT13	A.HHG	A.URB	SYS
FB	09	AA DIN 16 FORMED MASS 16 ENTERT	30JUN14	A.HHG	A.URB	SYS
09	AB	DRNs corrected in BOM DRNs korrigiert in Stückliste	30AP15	V.KAS	K.STO	SYS
09	AC	RAL 1007 WAS RAL 106 INFERRING ERROR RAL 1007 WURDE RAL 106 SCHWENKUNTER	28JUN16	V.KAS	K.STO	SYS
E7	09	AD SH RAL ADOB/ANCO	13JUL16	R.MDL	V.KAS	SYS
F11	09	AE POSITIONS R AND TO ADDED / POSITIONEN R UND ZU ERGAEANZT	10AUG16	P.SCH	E.OSW	SYS
C8	09	AF CABLE DIAMETER CHANGED - WHITE ERROR KABELDIAMETER GEAEANDERT - SCHWELPFELER	09JAN17	P.SCH	V.KAS	SYS
A-B6	09	AG CABLE DIAM FROM MAX. 2,9 TO 2,7 CORRECTED KABELDIAMETER VON MAX. 2,9 AUF 2,7 KORRIGIERT	20JUL17	V.KAS	T.BOL	SYS
B9	09	AH CABLE DIAM FROM MAX. 2,9 TO 3 CORRECTED KABELDIAMETER VON MAX. 2,9 AUF 3 KORRIGIERT	05OCT18	T.MAZ	V.KAS	SYS

Bemerkung



Scale/Maßstab: 1:1, 5:1

Remarks: Results of this document and given B to others and the use or consideration of the contents thereof, are forbidden without express authority. Otherwise, any data in the present of changes. All rights are reserved in the event of the grant of a patent or the registration of a utility model or design. Verbotene Weiterverbreitung dieser Unterlagen, Weitergabe von Inhalten ohne Erlaubnis ist nicht gestattet, soweit ausdrücklich abgelehnt. Zwischenstände vorbehalten zu Änderungen. Alle Rechte sind vorbehalten, falls ein Patent oder die Registrierung eines Gebrauchsmusters oder eines Designs erteilt wird.

DELPHI D - 4219 WUPPERTAL

Part No. / see chart / siehe Tabelle

Dimensions without tolerance: ± 0,2

Dimensions with tolerance: ± 0,2

Scale/Maßstab: 10:1, 1:1, 5:1

Cable seal
Einzelradialdichtung

6501.1713/003

15446589

Form A1

DELPHI

DELPHI

CONTROL DOCUMENTS ARE ONLY AVAILABLE ON THE SERVER