

M 284818-K



MINIKIT

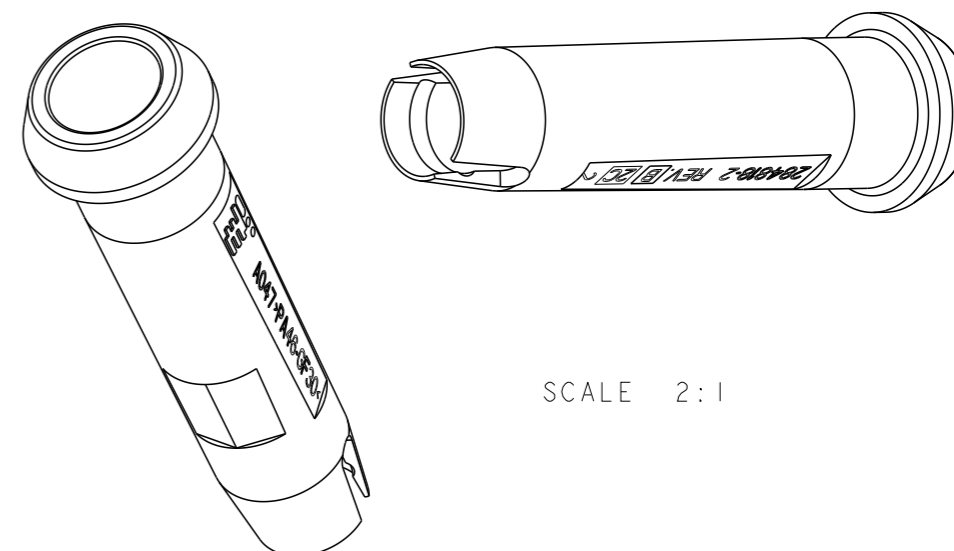
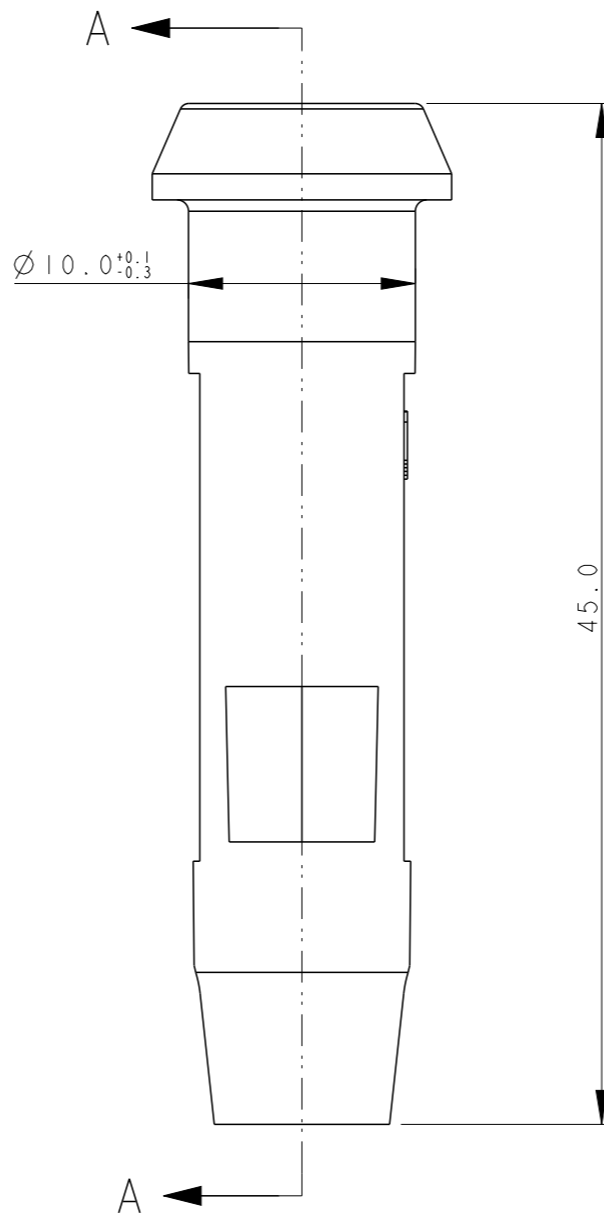
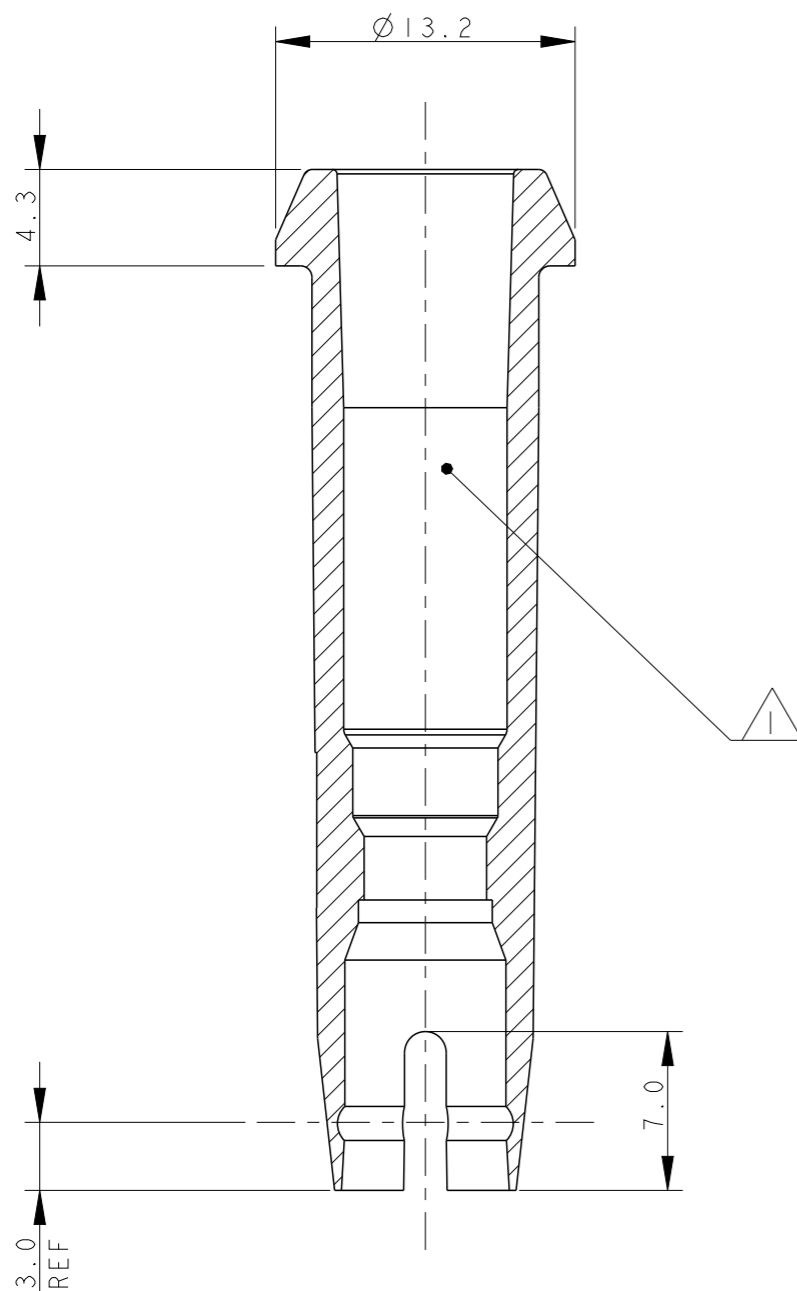
Proseguire nella pagina successiva per visualizzare la scheda tecnica dei componenti

Revisione	Prodotto
REV.00 09/04/2026	OEM

REVISIONS

P	LTR	DESCRIPTION	DATE	DWN	APVD
B1		REVISED PER ECO-15-015744	02NOV2015	M.P.	M.G.
B2		REVISED PER ECO-15-018091	16DEC2015	M.P.	M.G.
B3		REVISED PER ECO-16-002840	29FEB2016	M.P.	M.G.
B4		REVISED PER ECO-16-008847	13JUN2016	M.P.	M.G.

SECTION A - A
(SEZIONE)



SCALE 2:1

- 1 CAVITY SUITABLE FOR SOCKET CONTACT 4.0 DIA. SYSTEM:
 - P/N 962954-2 AND SINGLE WIRE SEAL P/N 963244-1 FOR 2.5 mm² WIRE
 - P/N 962956-2 AND SINGLE WIRE SEAL P/N 963245-1 FOR 4.0 mm² WIRE
- (CAVITA' ADATTA PER CONTATTO FEMMINA 4.0 DIA. SYSTEM:
 - P/N 962954-2 E GOMMINO PASSACAVO P/N 963244-1 PER CAVO 2.5 mm².
 - P/N 962956-2 E GOMMINO PASSACAVO P/N 963245-1 PER CAVO 4.0 mm².)
- 2 INTERFACE DRAWING ACCORDING TO FIAT SPEC. 91317/42 SHEET 1 PAGE 3

PA 46 - GF 30	RED (ROSSO)	HOUSING (BLOCCHETTO)	284818-2	B
PA 46 - GF 30	BLACK (NERO)	HOUSING (BLOCCHETTO)	284818-1	B
MATERIAL (MATERIALE)	COLOUR (COLORE)	DESCRIPTION (DESCRIZIONE)	PART NUMBER	REV.

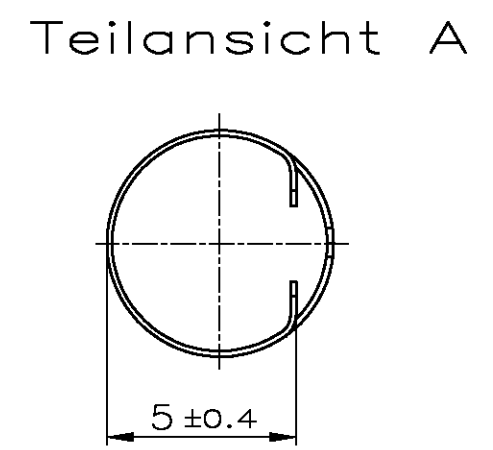
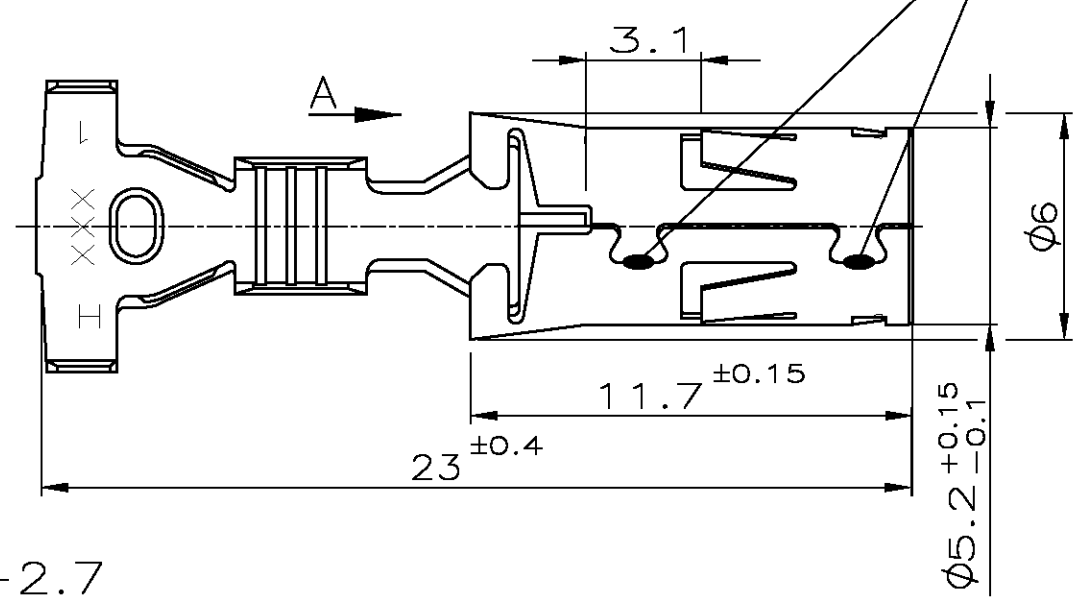
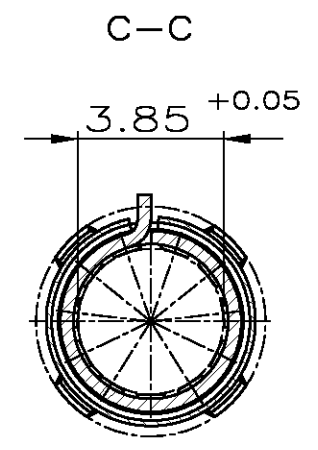
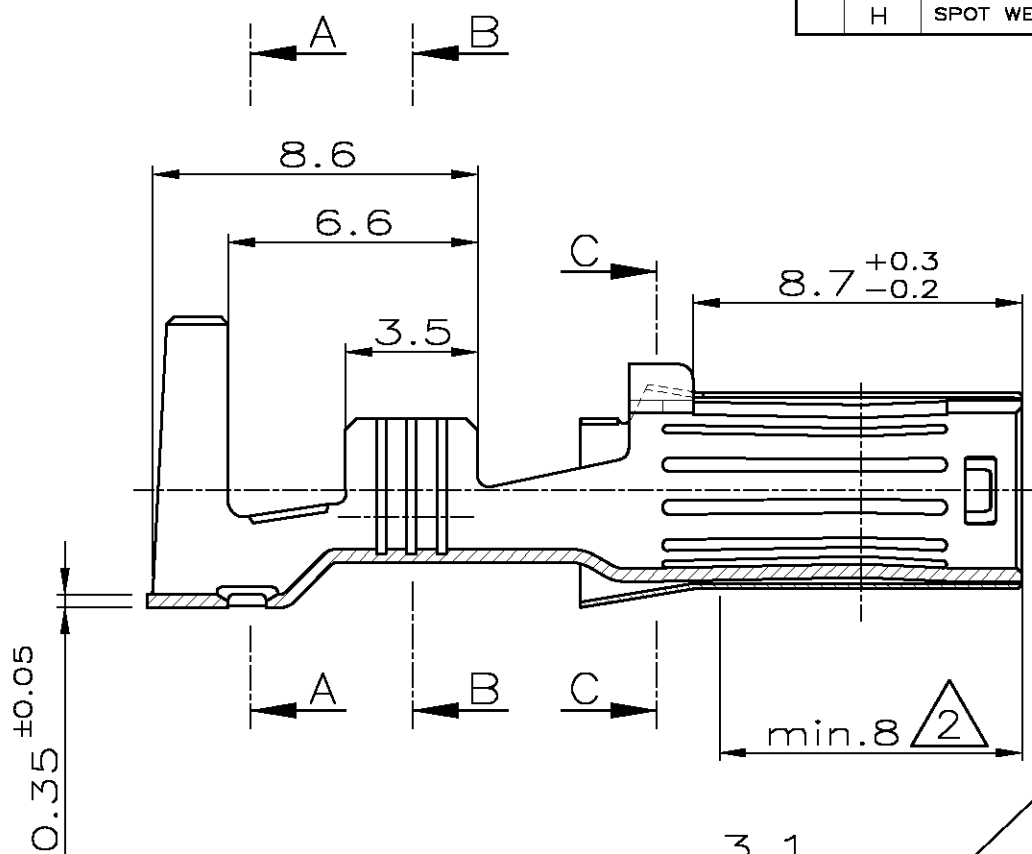
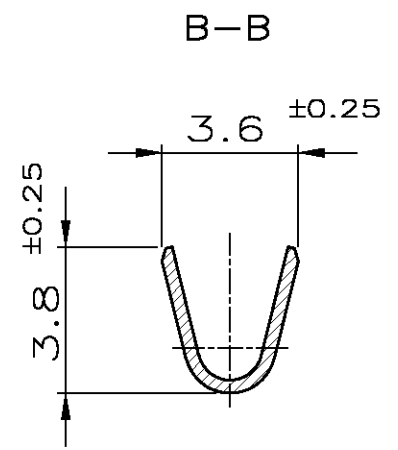
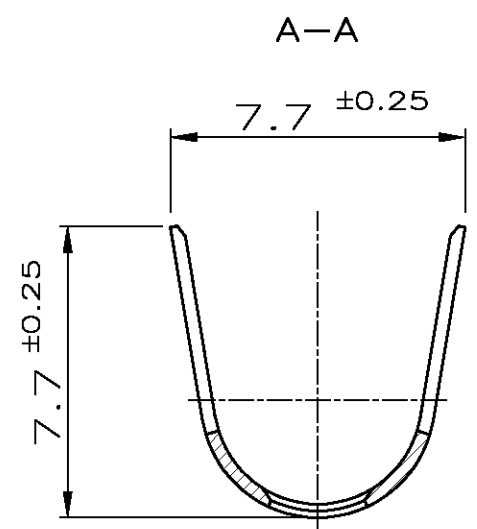
P/N 284818-1 AND -2 AS SHOWN
(P/N 284818-1 E -2 COME INDICATO)

THIS DRAWING IS A CONTROLLED DOCUMENT.

DIMENSIONS: mm	TOLERANCES UNLESS OTHERWISE SPECIFIED:	DWN P. ZAMPIROLO 21MAR2001	TE Connectivity I W HOUSING FOR DIESEL GLOW PLUG STRAIGHT VERSION (CONNETTORE 1 VIA PER CANDELETTE PRE-RISCALDO)
	0 PLC ±0.3 1 PLC ±0.3 2 PLC ±0.3 3 PLC ± 4 PLC ± ANGLES ±1°	CHK R. MARTINI 21MAR2001	
		APVD A. GENTA 21MAR2001	
		PRODUCT SPEC 108-20229	
MATERIAL SEE TABLE (VED. TABELLA)	FINISH ---	APPLICATION SPEC -	NAME SIZE A3 CAGE CODE - DRAWING NO C-284818 RESTRICTED TO - WEIGHT 2.15 g Customer Drawing SCALE 3:1 SHEET 1 OF 1 REV B4

THIS DRAWING IS UNPUBLISHED. RELEASED FOR PUBLICATION
 © COPYRIGHT - By - ALL RIGHTS RESERVED.

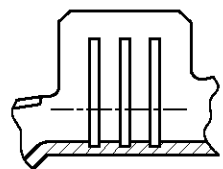
LOC	DIST	REVISIONS			
P	LTR	DESCRIPTION	DATE	DWN	APVD
A1	-				
F		DOVE TAIL ADDED / Schwabenschwanz eingefuegt	28JUL2006	C.H.	C.G.
G		DRAWING ADAPTED / Zeichnung angepasst	14AUG2007	Abr	C.G.
H		SPOT WELDING CHANGED INTO LINE WELDING	27SEP2012	Sch	Abr



NOTES
Bemerkungen

- 1 1-3µm Sn
1-3µm Sn
- 2 3-4µm GALVANIC Ag
REST GALV. Sn (1-3µm)
3-4µm galvanisch Ag
Rest galv. Sn (1-3µm)
- 3 WIRE RANGE
Drahtgrossenbereich (mm²): >1-2.5
- 4 INSULATION RANGE FOR SWS Ø6 (mm): 2.0-2.7
Isolationsbereich fuer EDS Ø6

OPTIONAL



- 2
- 1

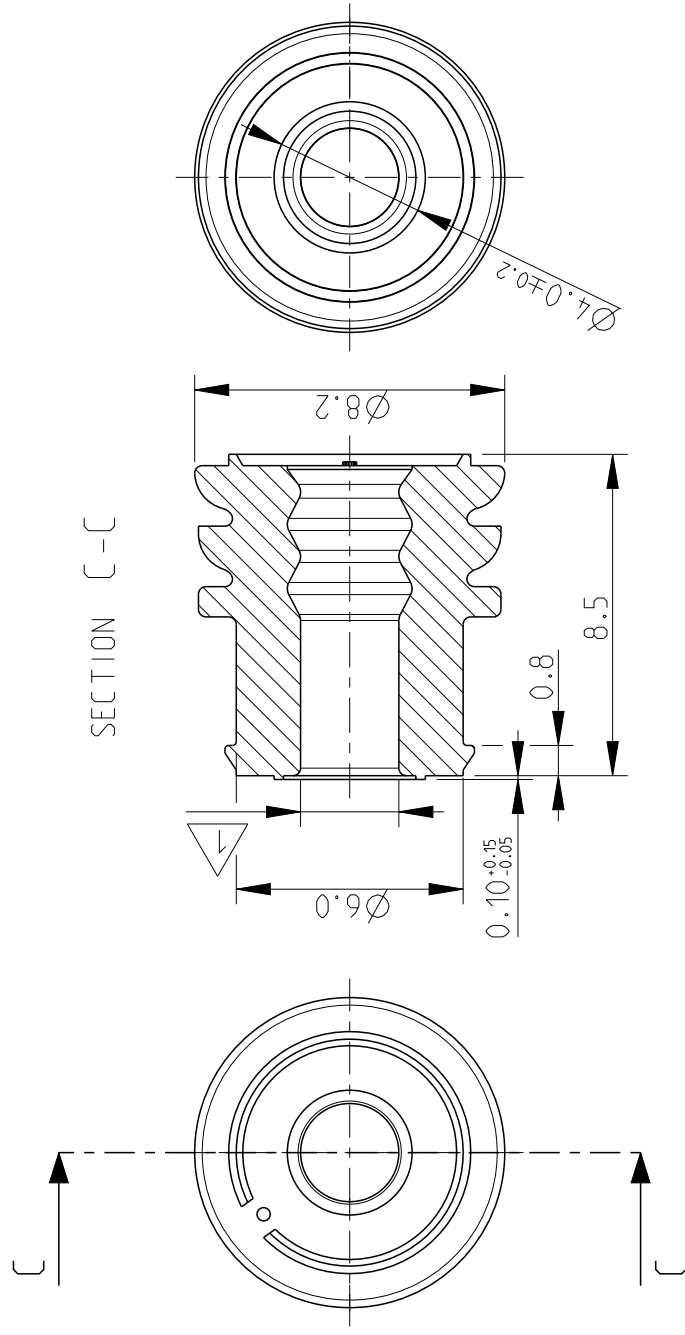
MATERIAL	FINISH	PART NO.	REV.
GERMAN SILVER Neusilber	PLAIN/blank	0-962954-5	H
CuNiSi	PRESILVERED vorversilbert	0-962954-2	H
CuNiSi	PRETINNED vorverzintt	0-962954-1	H

THIS DRAWING IS A CONTROLLED DOCUMENT.	
DIMENSIONS: mm	TOLERANCES UNLESS OTHERWISE SPECIFIED: 0 PLC ± 1 PLC ± ±0.2mm 2 PLC ± 3 PLC ± 4 PLC ± ANGLES ±1.5° FINISH
MATERIAL	

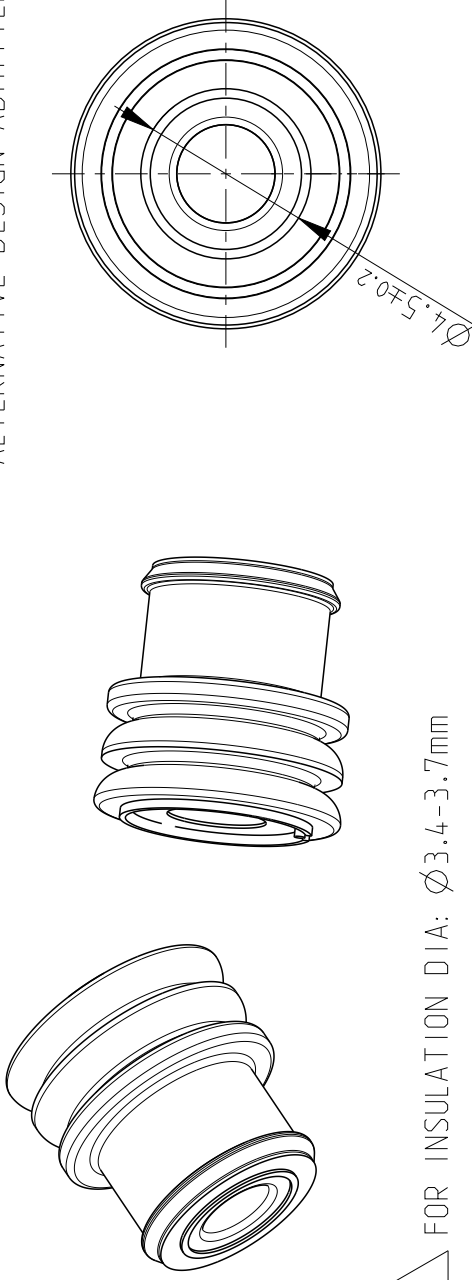
DWN E. Palmie	06FEB1995
CHK H. Lutsch	06FEB1995
APVD	
PRODUCT SPEC	108-18472
APPLICATION SPEC	114-18118
WEIGHT	-
CUSTOMER DRAWING	

TE Connectivity		NAME	
		Ø 4MM SOCKET CONTACT, SWS Ø 4mm Buchsenkontakt, EDS	
SIZE	CAGE CODE	DRAWING NO	RESTRICTED TO
A3	00779	C-962954	-
SCALE 5:1		SHEET 1 OF 1	REV H

REVISIONS					
P	LTR	DESCRIPTION	DATE	DWN	APVD
C2	ECO-16-009461		22JUN2016	M.G.	M.G.



ALTERNATIVE DESIGN ADMITTED



1 FOR INSULATION DIA: Ø3.4-3.7mm

YELLOW	SILICONE 50° SHORE A INHERENTLY LUBRICATED	963245-1
COLOR	MATERIAL	P/N

DWN R. Schan		23AUG1989		MATERIAL		SEE TABLE		FINISH		-	
CHK M. Adamski		23AUG1989		MATERIAL		SEE TABLE		FINISH		-	
APVD -		-		MATERIAL		SEE TABLE		FINISH		-	
PRODUCT SPEC		-		NAME		SINGLE WIRE SEAL (8.2mm DIA)		TE Connectivity			
APPLICATION SPEC		-		SIZE		A4		DRAWING NO		C=963245	
WEIGHT		0.258g		RESTRICTED TO		-					
CUSTOMER DRAWING				SCALE		5:1		SHEET		1 OF 1	
				REV		C2					



- 0 PLC ±
- 1 PLC ± 0.3
- 2 PLC ±
- 3 PLC ±
- 4 PLC ±
- ANGLES ±1°

