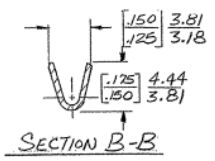
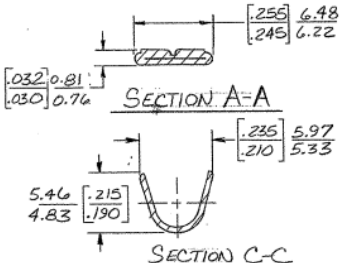
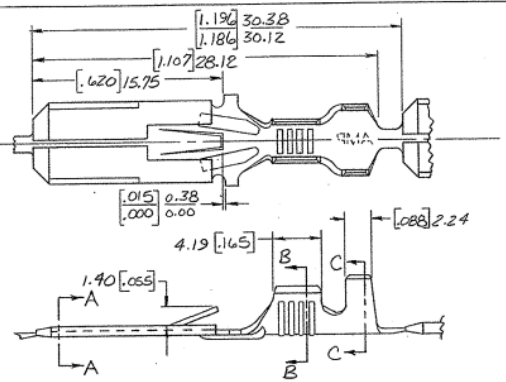




THIS DRAWING IS UNPUBLISHED. RELEASED FOR PUBLICATION
 © COPYRIGHT ALL RIGHTS RESERVED.



P	F	ZONE	LTR	DESCRIPTION	DATE	APPROVED
		DG2		REVISED PER ECO-11-005140	01APR11	HMR

FINISH	MATERIAL	INSULATION RANGE	WIRE SIZE	PART NO
OBsolete	TIN	1.0-5.0	0.38 BRASS	18-14 0.8-2mm ² 42098-8
OBsolete	TIN	1.0-5.0	0.38 PHS. BRZ	18-14 0.8-2mm ² 42098-7
OBsolete	PRE-TIN	1.0-5.0	0.38 BRASS	18-14 0.8-2mm ² 42098-6
OBsolete	NONE	1.0-5.0	0.38 PHS. BRZ	18-14 0.8-2mm ² 42098-5
OBsolete	NICKEL	1.0-5.0	0.38 PHS. BRZ	18-14 0.8-2mm ² 42098-4
	SILVER	1.0-5.0	0.38 BRASS	18-14 0.8-2mm ² 42098-3
	PRE-TIN	1.0-5.0	0.38 BRASS	18-14 0.8-2mm ² 42098-2
	NONE	1.0-5.0	0.38 BRASS	18-14 0.8-2mm ² 42098-1

- 1- DIM'S. IN BRACKETS ARE IN INCHES.
- 2- CONTINUOUS STRIP ON REELS.
- △- FOREIGN PRODUCTION ONLY
- △- PAPER INTERLAY BETWEEN LAYERS
- △- OBSOLETE PARTS: OBSOLETE CIS STREAMLINING PER D.RENAUD/D.SINISI

METRIC

UNLESS OTHERWISE SPECIFIED DIMENSIONS ARE IN INCHES. ALL TOLERANCES ON DECIMALS ±0.03 ANGLES

CONTRACT NO. DR. *VRP* 2-25-83
 CHK. *G. Yetter* 3-1-85
 APPR. *W. J. ...* 4/21/85
 DEGN. APPD. *W. J. ...* 4/21/85

STE TE Connectivity

NAME: **.250 SERIES FASTIN-FASTON TAB**

SIZE: **B** FSCM NO: **00779** DRAWING NO: **42098**

SCALE: **H** SHEET

