

M 776428-1K



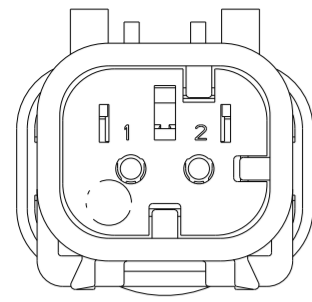
MINIKIT

Proseguire nella pagina successiva per visualizzare la scheda tecnica dei componenti

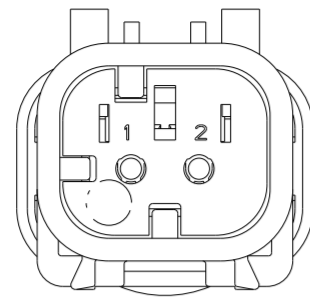
Revisione	Prodotto
REV.00 14/04/2026	OEM

THIS DRAWING IS UNPUBLISHED. RELEASED FOR PUBLICATION
 © COPYRIGHT 20 BY - ALL RIGHTS RESERVED.

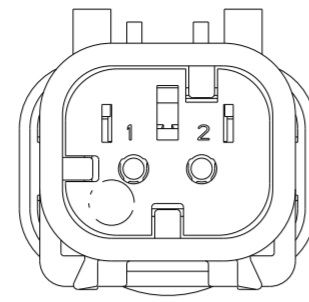
REVISIONS				
P	LTR	DESCRIPTION	DATE	APVD
E		REVISED PER ECO-13-019067	05DEC2013	DR RB
EI		REVISED PER PCN-23-190965	31OCT2023	AP CB



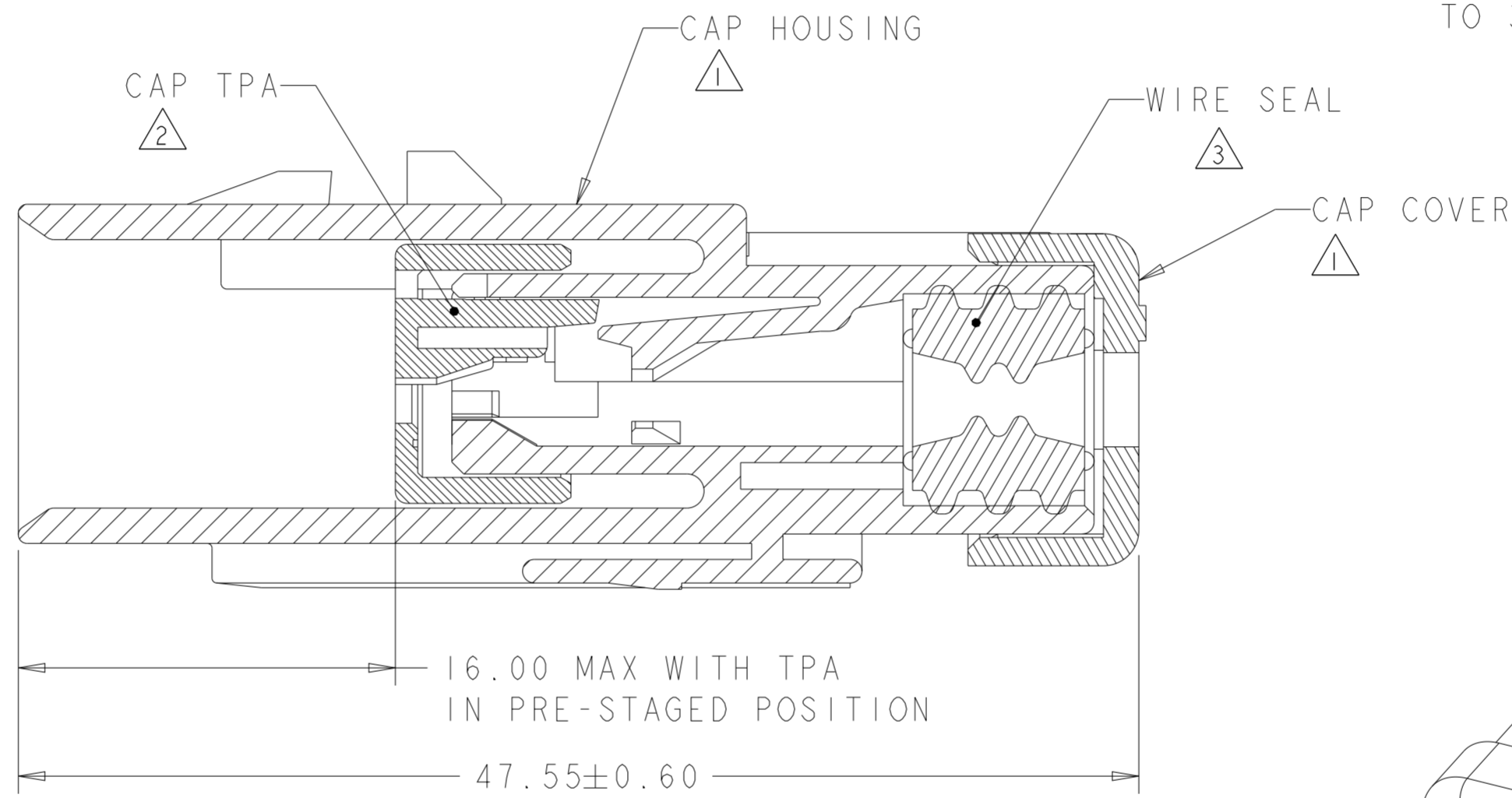
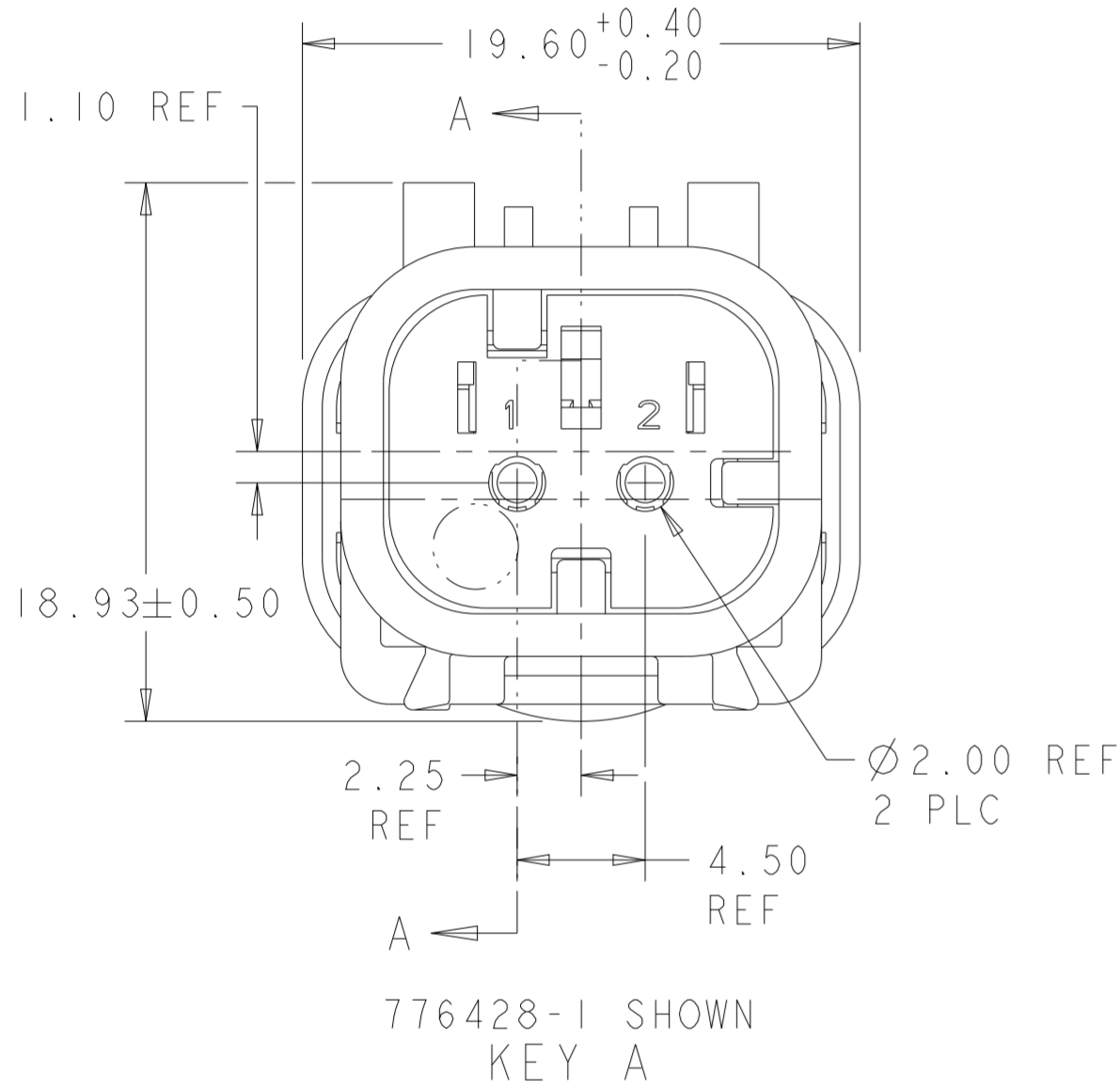
776428-2
SCALE 2:1
KEY B



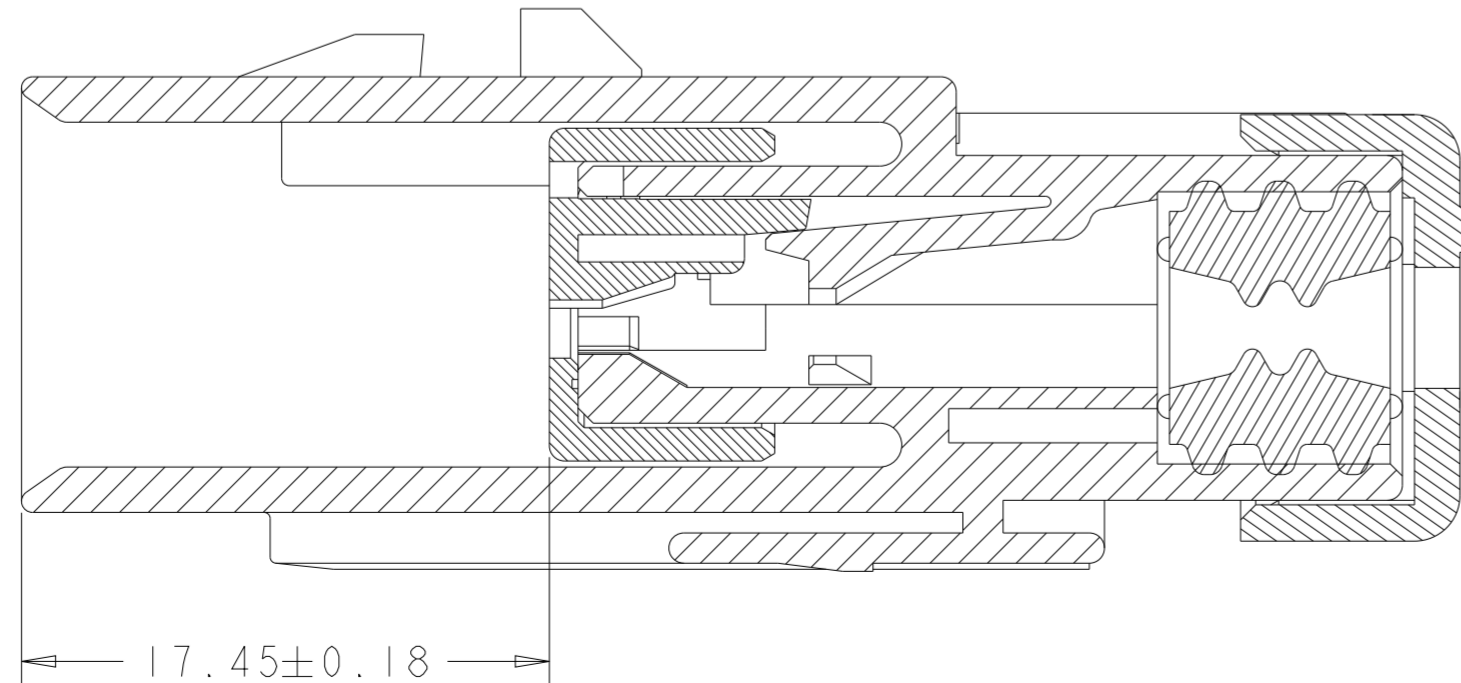
776428-3
SCALE 2:1
KEY C



776428-4
SCALE 2:1
KEY D

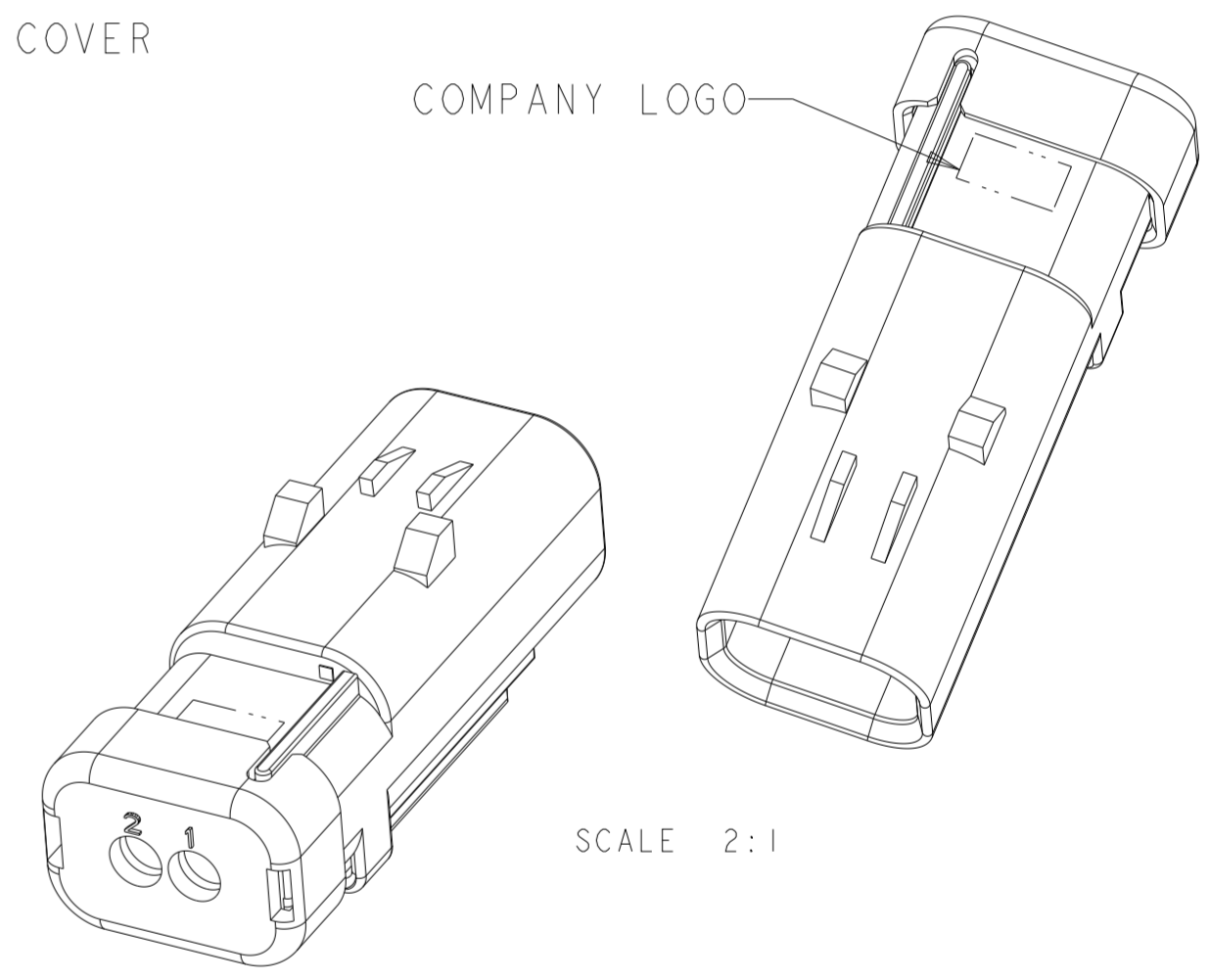


SECTION A-A



SECTION A-A
WITH TPA IN CLOSED POSITION

- 1 MATERIAL: 15% GLASS FILLED THERMOPLASTIC
COLOR: BLACK
- 2 MATERIAL: 15% GLASS FILLED THERMOPLASTIC
COLOR: (SEE TABLE)
- 3 MATERIAL: SILICONE
COLOR: MARINE BLUE
- 4. RECOMMENDED WIRE DIAMETER RANGE IS 2.18 TO 3.67mm.



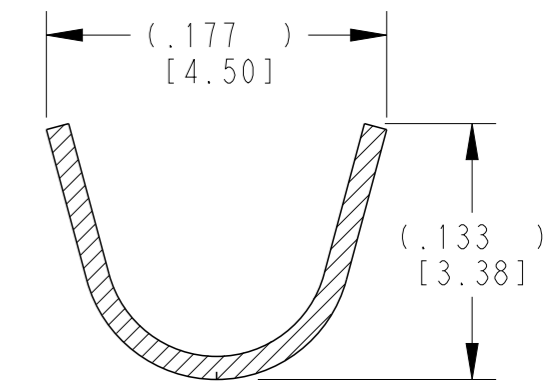
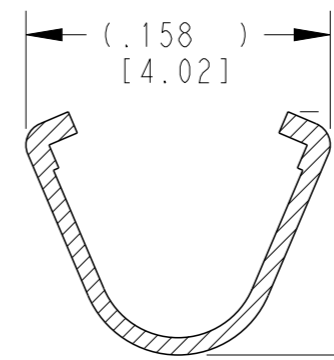
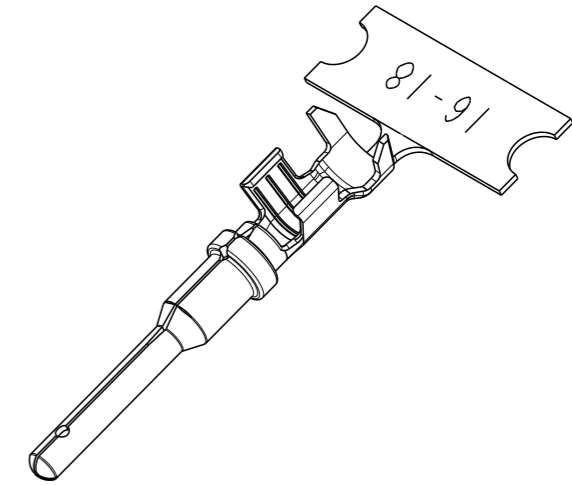
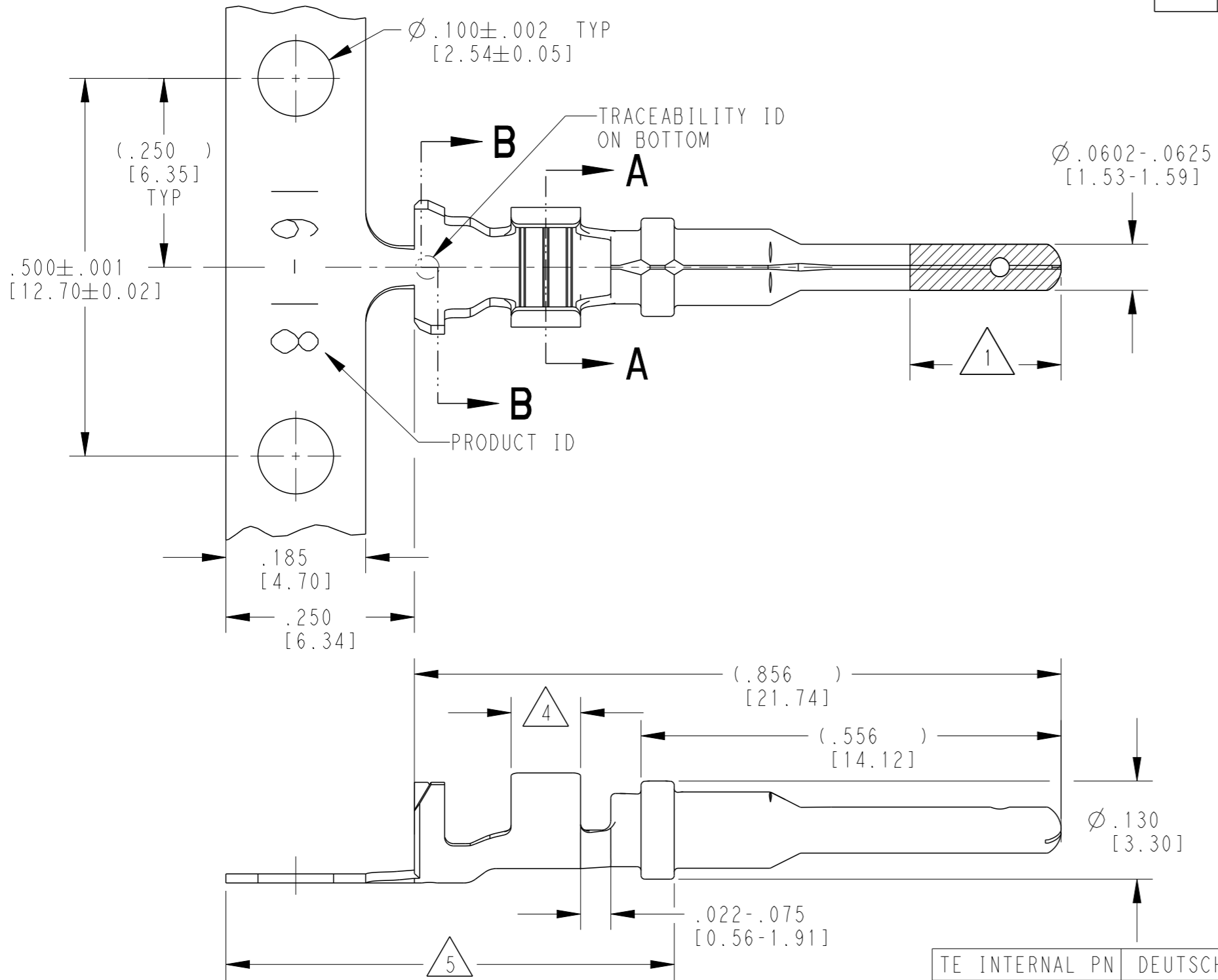
GREEN	776428-4
YELLOW	776428-3
GRAY	776428-2
RED	776428-1
TPA COLOR	PART NUMBER

THIS DRAWING IS A CONTROLLED DOCUMENT.

DIMENSIONS:	TOLERANCES UNLESS OTHERWISE SPECIFIED:	DWN Y. PETERSON 22FEB2000	TE Connectivity
mm	0 PLC ±	CHK R. GREINER 11DEC2001	
	1 PLC ±	APVD M. TRULL 11DEC2001	
	2 PLC ±	PRODUCT SPEC 108-2184	
	3 PLC ±	APPLICATION SPEC 114-13065	NAME
	4 PLC ±	WEIGHT 9	SIZE CAGE CODE DRAWING NO RESTRICTED TO
	ANGLES ±	Customer Drawing	A200779 C-776428
	FINISH	SCALE 4:1	SHEET OF REV EI

THIS DRAWING IS UNPUBLISHED
 RELEASED FOR PUBLICATION
 2020
 © COPYRIGHT 2020 BY TE CONNECTIVITY ALL RIGHTS RESERVED.

LOC	DIST	REVISIONS			
P	LTR	DESCRIPTION	DATE	DWN	APVD
	K	REVISED PER PCN E-20-008101	12JUN2020	DM	DM
	L	REVISED PER PCN-21-121539	08DEC2021	MK	DM
	L1	REVISED PER PCN-21-121539	04FEB2022	MK	DM
	L2	REVISED PER PCN-25-234384	30JAN2025	RK	CB



SECTION A-A
WIRE BARREL

SECTION B-B
INSULATION BARREL

- △5 TIN PLATING MAY BE IN THIS REGION.
 - △4 TIN PLATED REGION.
 - △3 MATERIAL: .012 [0.30] THICK COPPER ALLOY
 - 2. WIRE RANGE: 18 AWG TO 14 AWG [0.75-2.0 mm²]
INSULATION RANGE: Ø.075-.140 [Ø1.91-3.56]
 - △1 GOLD PLATED REGION.
- NOTES: UNLESS OTHERWISE SPECIFIED

TE INTERNAL PN	DEUTSCH PN	REV	PLATING
1060-16-0122	1060-16-0122	S	Ni/Cu overall, Sn/Ni/Cu Wire Barrel
1060-16-0144	1060-16-0144	S	Selective Au, Ni/Cu overall, Sn/Ni/Cu Wire Barrel
1060-16-0177	1060-16-0177	S	Sn/Ni/Cu overall

THIS DRAWING IS A CONTROLLED DOCUMENT.		DWN M. BLUM 04NOV1999	STE TE Connectivity	
DIMENSIONS: INCHES [mm]		CHK A. ROLINSKI 08DEC2000		
TOLERANCES UNLESS OTHERWISE SPECIFIED:		APVD R. REED 08DEC2000	NAME PIN, STAMPED CONTACT SIZE 16 14-18 AWG, .075-.140 INS	
0 PLC ± 1 PLC ± 2 PLC ± 3 PLC ±.025 [0.64] 4 PLC ± ANGLES ±		PRODUCT SPEC 108-151000	SIZE A3	
MATERIAL △3		APPLICATION SPEC 114-151000	CAGE CODE 4AFU8	DRAWING NO C=1060-16-01XX
FINISH SEE TABLE		WEIGHT 0.33 g	RESTRICTED TO -	
		Customer Drawing	SCALE 6:1	SHEET 1 OF 1 REV L2