

# M 776429-2K



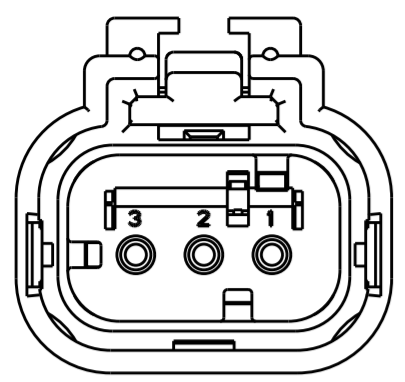
MINIKIT

*Proseguire nella pagina successiva per visualizzare la scheda tecnica dei componenti*

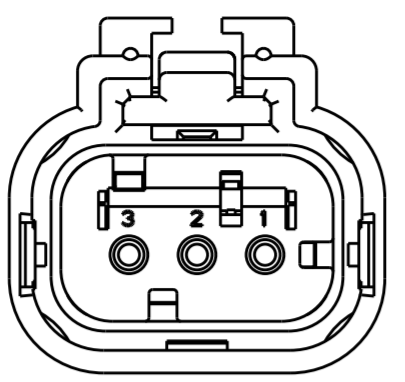
Revisione	Prodotto
REV.00 16/04/2026	OEM

THIS DRAWING IS UNPUBLISHED. RELEASED FOR PUBLICATION 20  
 © COPYRIGHT 20 BY - ALL RIGHTS RESERVED.

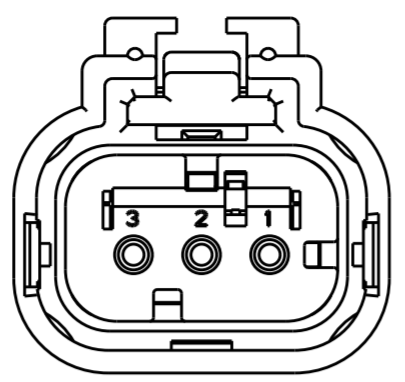
REVISIONS				
P	LTR	DESCRIPTION	DATE	APVD
F		REVISED PER ECO-13-019095	05DEC2013	DR RB



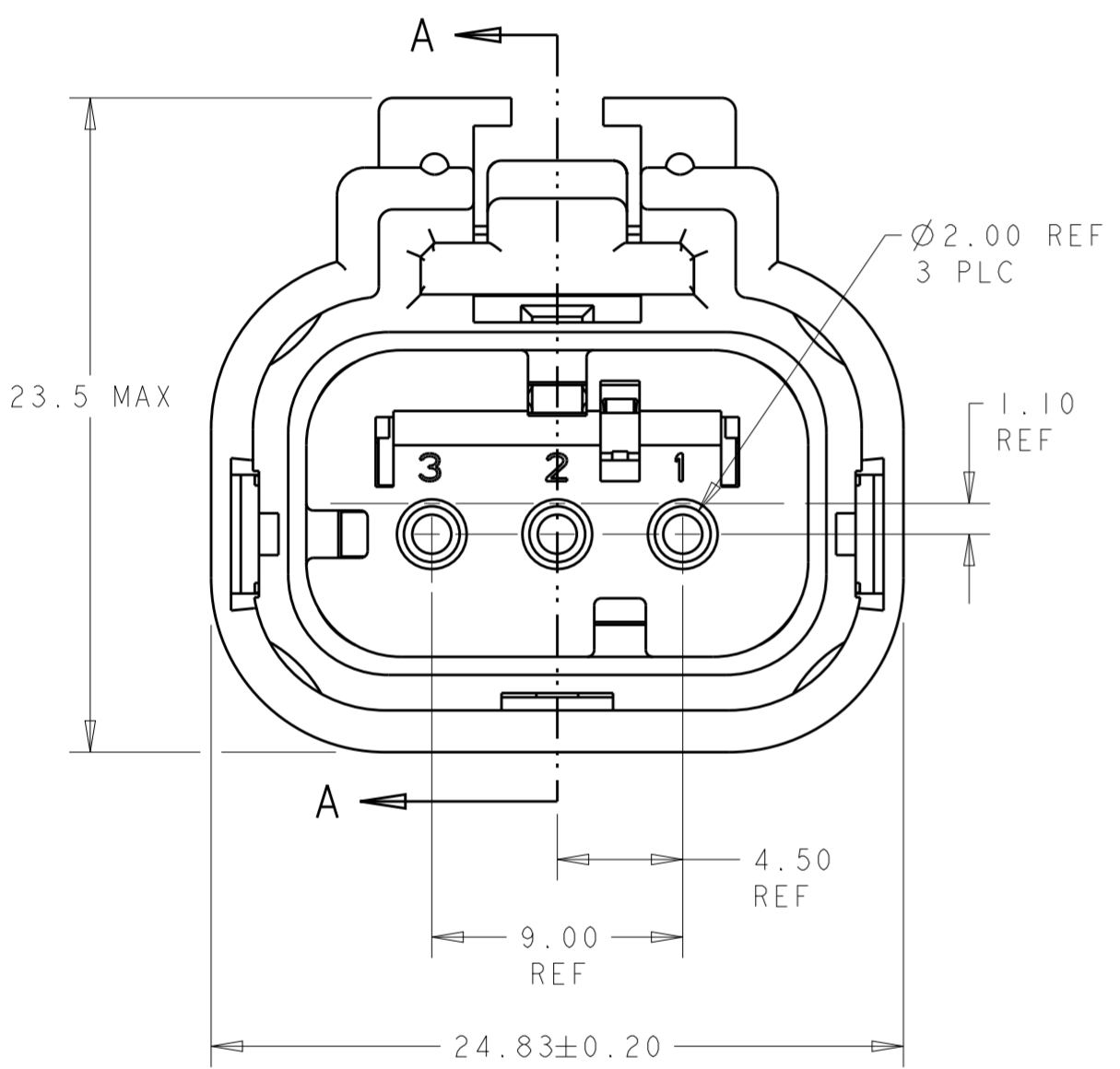
776429-2  
SCALE 2:1  
KEY B



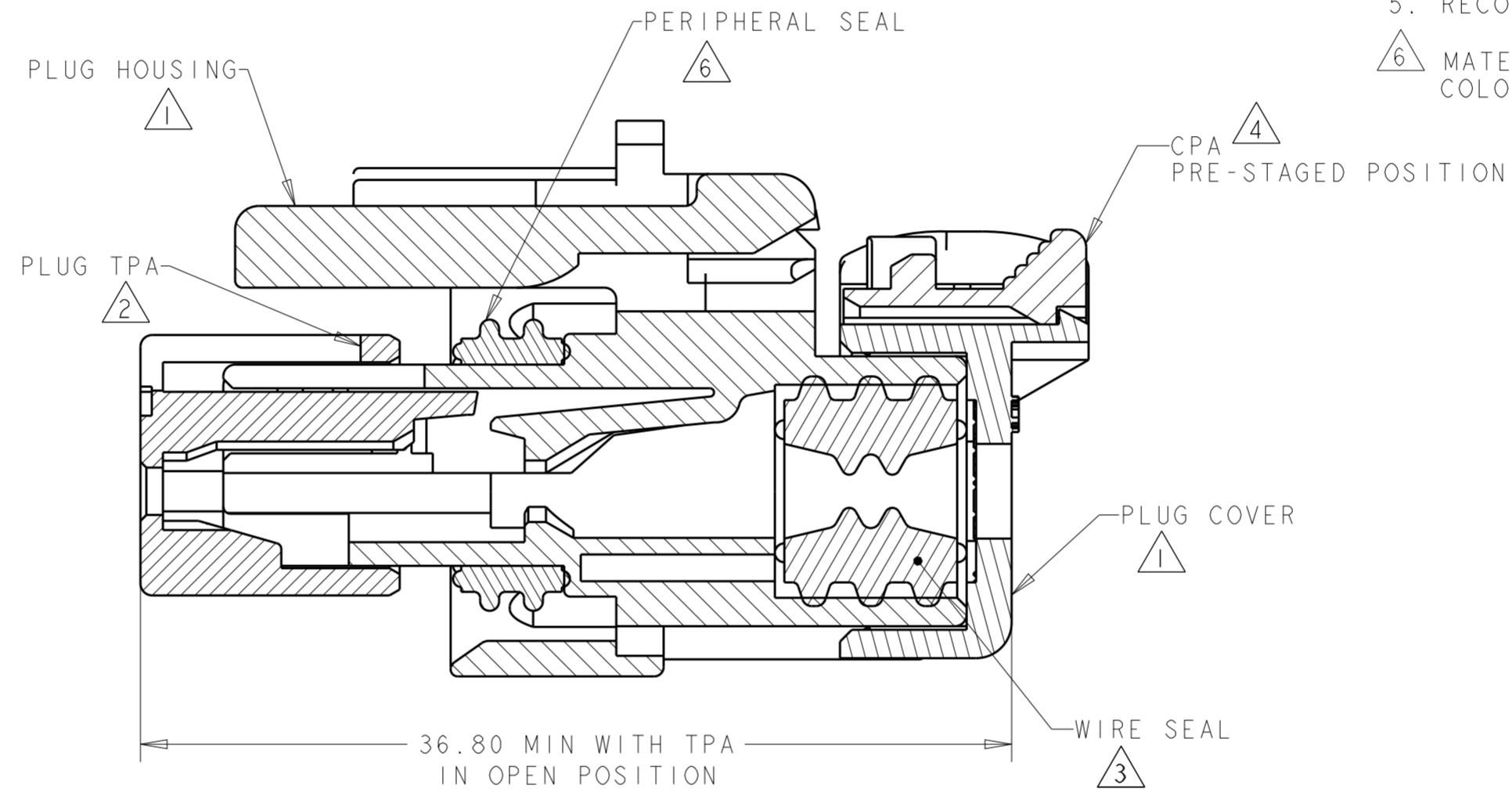
776429-3  
SCALE 2:1  
KEY C



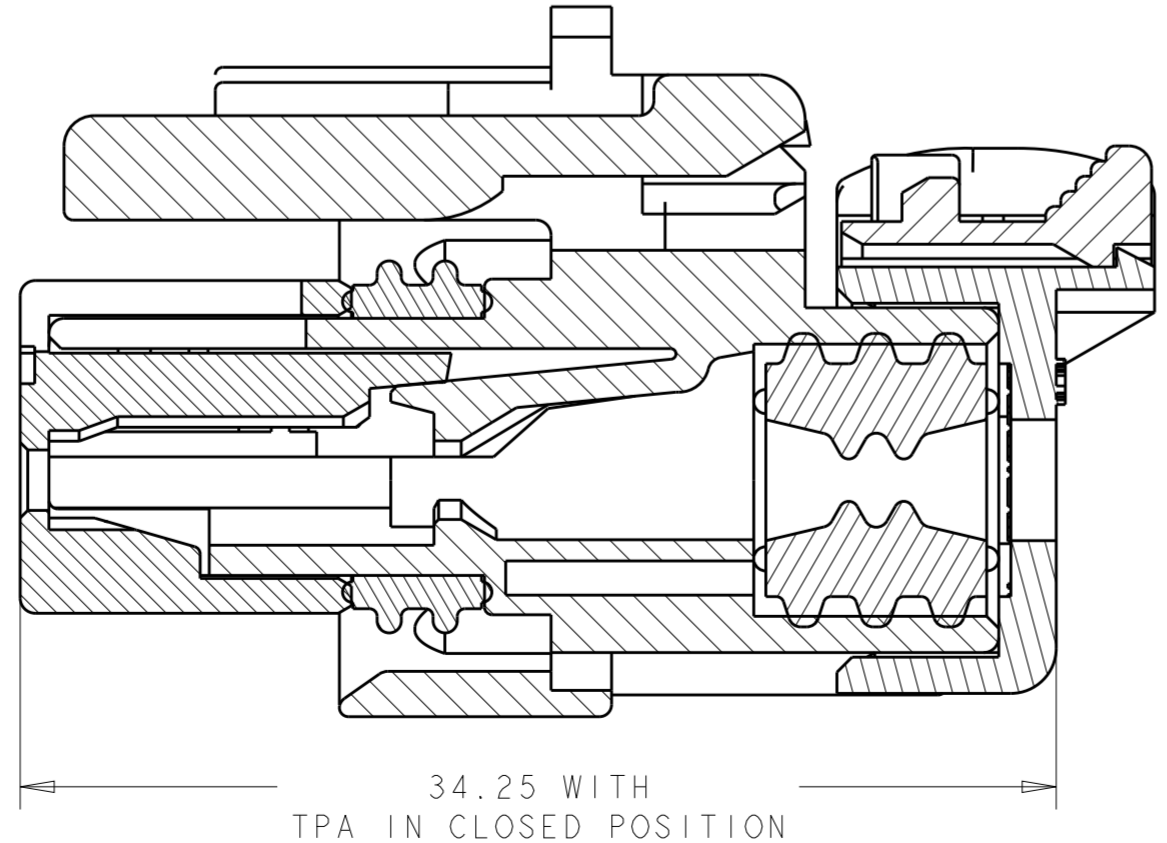
776429-4  
SCALE 2:1  
KEY D



776429-1 SHOWN  
KEY A

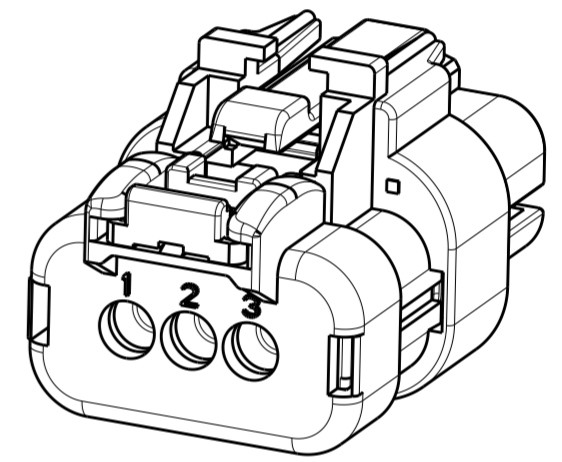


SECTION A-A

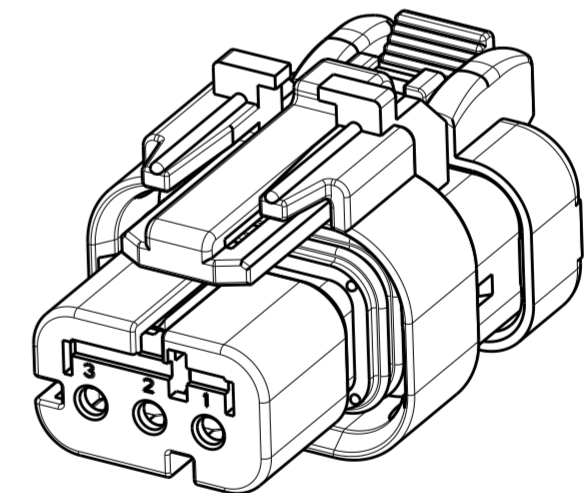


SECTION A-A

- 1 MATERIAL: 15% GLASS FILLED THERMOPLASTIC  
COLOR: BLACK
- 2 MATERIAL: 15% GLASS FILLED THERMOPLASTIC  
COLOR: (SEE TABLE)
- 3 MATERIAL: SILICONE  
COLOR: GREEN
- 4 MATERIAL: 15% GLASS FILLED THERMOPLASTIC  
COLOR: RED
- 5. RECOMMENDED WIRE DIAMETER RANGE IS 2.18 TO 3.67mm.
- 6 MATERIAL: SILICONE  
COLOR: TAN



SCALE 2:1



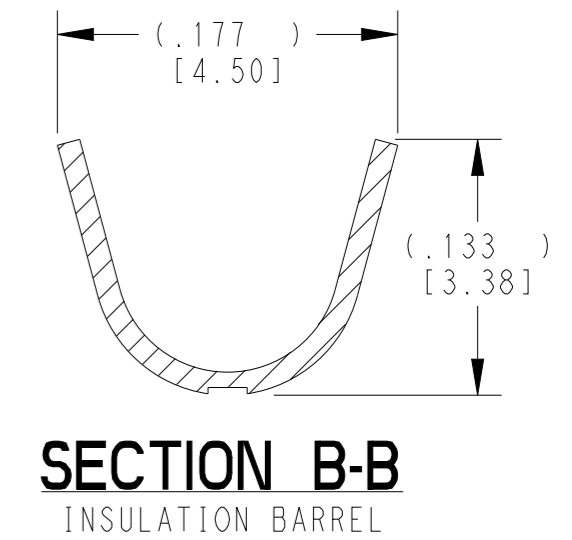
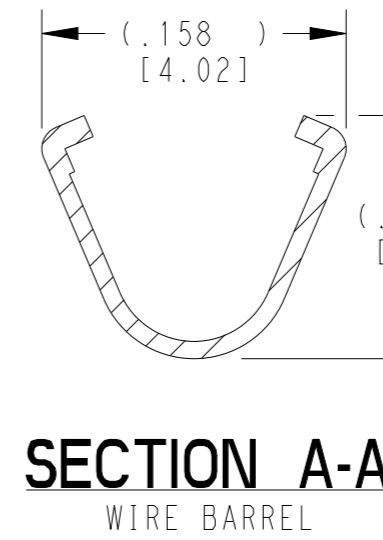
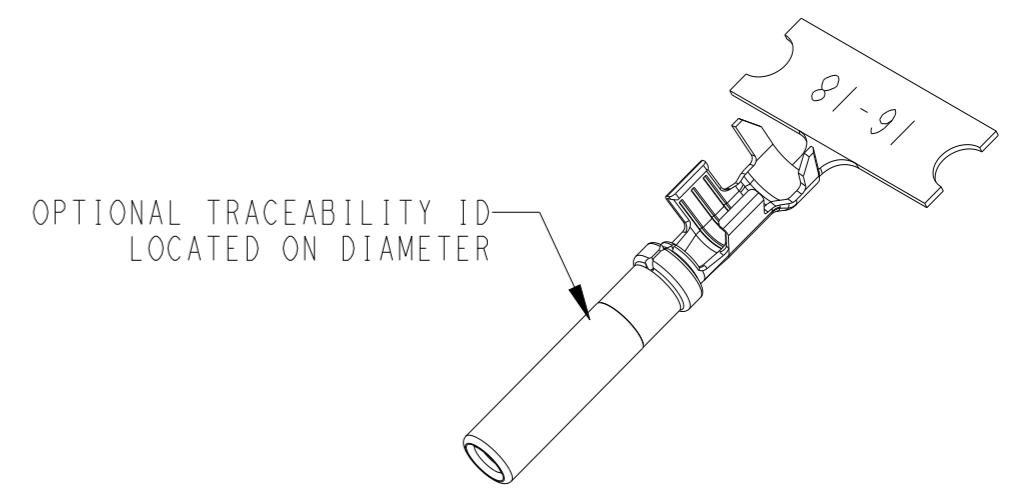
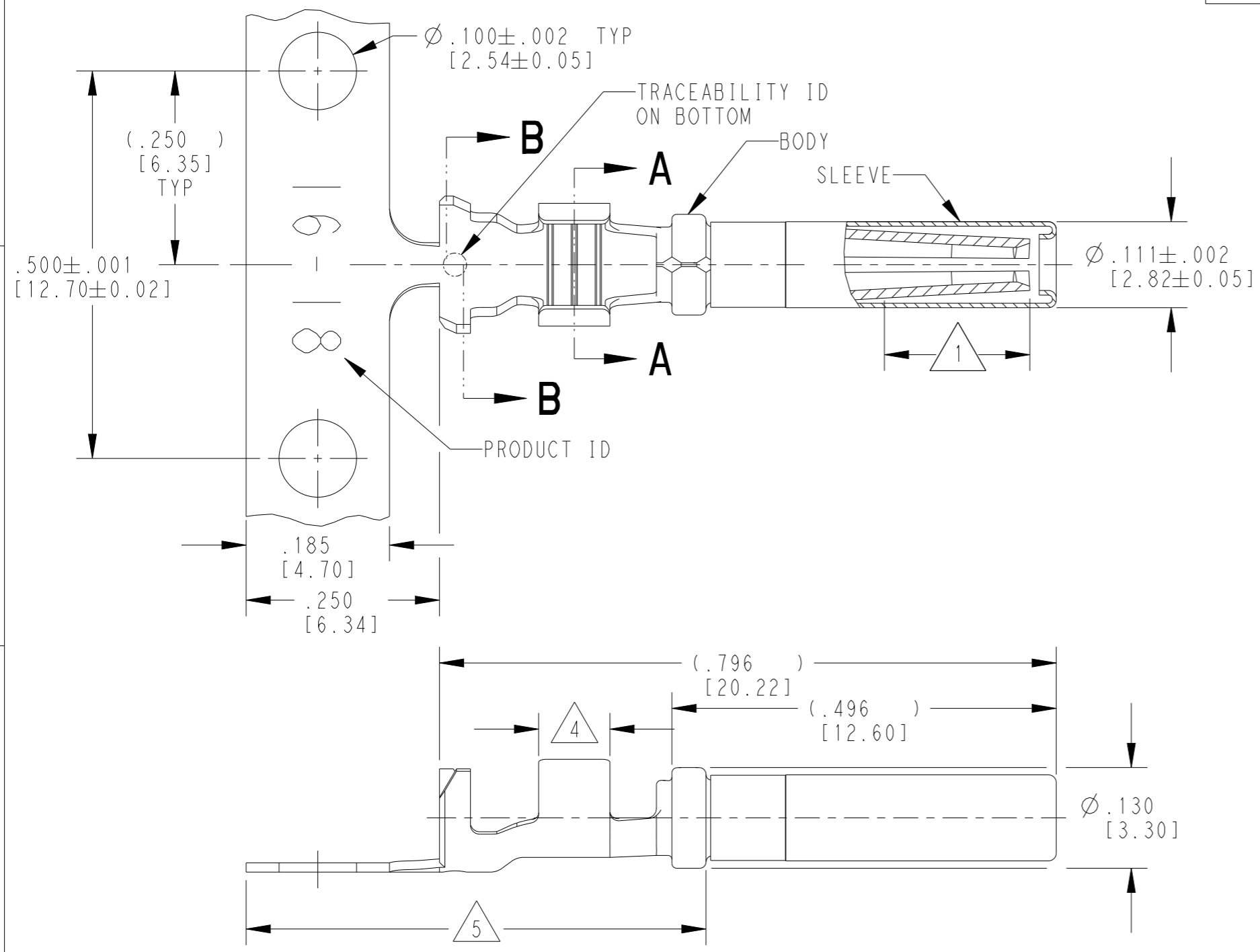
SCALE 2:1

D	GREEN	776429-4
C	YELLOW	776429-3
B	GRAY	776429-2
A	RED	776429-1
KEY	TPA COLOR	PART NUMBER

THIS DRAWING IS A CONTROLLED DOCUMENT.		DWN AJ GRAFF 22FEB00	TE Connectivity															
DIMENSIONS: mm		CHK R GREINER 11DEC01																
TOLERANCES UNLESS OTHERWISE SPECIFIED:		APVD M TRULLI 11DEC01	NAME PLUG ASSEMBLY, 3 POSITION, SINGLE ROW AMPSEAL 16															
<table border="1"> <tr><td>0 PLC</td><td>±</td></tr> <tr><td>1 PLC</td><td>±</td></tr> <tr><td>2 PLC</td><td>±</td></tr> <tr><td>3 PLC</td><td>±</td></tr> <tr><td>4 PLC</td><td>±</td></tr> <tr><td>ANGLES</td><td>±</td></tr> <tr><td>FINISH</td><td>-</td></tr> </table>		0 PLC	±	1 PLC	±	2 PLC	±	3 PLC	±	4 PLC	±	ANGLES	±	FINISH	-	PRODUCT SPEC 108-2184	SIZE A200779	
0 PLC	±																	
1 PLC	±																	
2 PLC	±																	
3 PLC	±																	
4 PLC	±																	
ANGLES	±																	
FINISH	-																	
MATERIAL -		APPLICATION SPEC 114-13065	DRAWING NO C-776429															
-		WEIGHT 10	RESTRICTED TO -															
-		Customer Drawing	SCALE 4:1 SHEET OF REV F															

THIS DRAWING IS UNPUBLISHED. RELEASED FOR PUBLICATION 2015  
 © COPYRIGHT 1999 BY TE CONNECTIVITY ALL RIGHTS RESERVED.

LOC	DIST	REVISIONS			
P	LTR	DESCRIPTION	DATE	DWN	APVD
	K	REVISED PER PCN E-20-008101	12JUN2020	DM	DM
	K1	REVISED PER PCN-22-157823	12OCT2022	SP	DM
	K2	REVISED PER PCN-25-234736	06FEB2025	GB	DM
	L	REVISED PER PCN-25-253652	14AUG2025	RT	DM



5 TIN PLATING MAY BE IN THIS REGION.

4 TIN PLATED REGION.

3 MATERIAL:  
 BODY: .012 [0.30] THICK COPPER ALLOY  
 SLEEVE: STAINLESS STEEL

2. WIRE RANGE: 18 AWG TO 14 AWG [0.75-2.0 mm<sup>2</sup>]  
 INSULATION RANGE:  $\varnothing$ .075-.140 [ $\varnothing$ 1.91-3.56]

1 GOLD PLATED REGION.

NOTES: UNLESS OTHERWISE SPECIFIED

TE INTERNAL PN	DEUTSCH PN	REV	PLATING
1062-16-0122	1062-16-0122	L	Ni/Cu overall, Sn/Ni/Cu Wire Barrel
1062-16-0144	1062-16-0144	M	Selective Au, Ni overall, Sn/Ni Wire Barrel
1062-16-0177	1062-16-0177	L	Sn/Ni/Cu overall

THIS DRAWING IS A CONTROLLED DOCUMENT.		DWN M. BLUM 03NOV1999	<b>STE</b> TE Connectivity		
DIMENSIONS: INCHES [mm]		CHK A. ROLINSKI 08DEC2000			
TOLERANCES UNLESS OTHERWISE SPECIFIED:		APVD R. REED 08DEC2000	NAME SOCKET, STAMPED CONTACT SIZE 16 14-18 AWG, .075-.140 INS		
0 PLC ± 1 PLC ± 2 PLC ± 3 PLC ±.025 [0.64] 4 PLC ± ANGLES ±		PRODUCT SPEC 108-151000	SIZE A3	CAGE CODE 4AFU8	DRAWING NO 1062-16-01XX
MATERIAL 3		APPLICATION SPEC 114-151000	RESTRICTED TO -	SCALE 6:1	
FINISH SEE TABLE		WEIGHT 0.43 g	SHEET 1 OF 1		REV L
		Customer Drawing			