

# M 776430-1

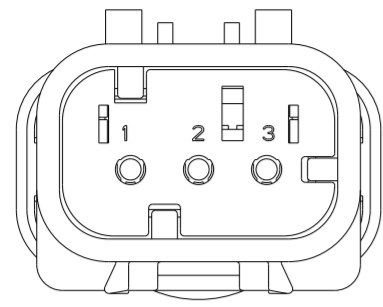


*Proseguire nella pagina successiva per visualizzare la scheda tecnica dei componenti*

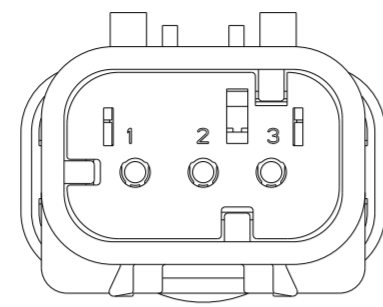
Revisione	Prodotto
REV.00 16/04/2026	OEM

THIS DRAWING IS UNPUBLISHED. RELEASED FOR PUBLICATION  
 © COPYRIGHT 20 BY - ALL RIGHTS RESERVED.

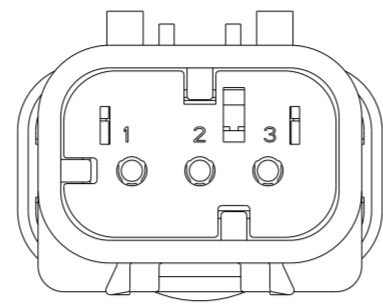
REVISIONS				
P	LTR	DESCRIPTION	DATE	APVD
E		REVISED PER ECO-13-019095	05DEC2013	DR RB
EI		REVISED PER PCN-23-190965	31OCT2023	AP CB



776430-2  
SCALE 2:1  
KEY B

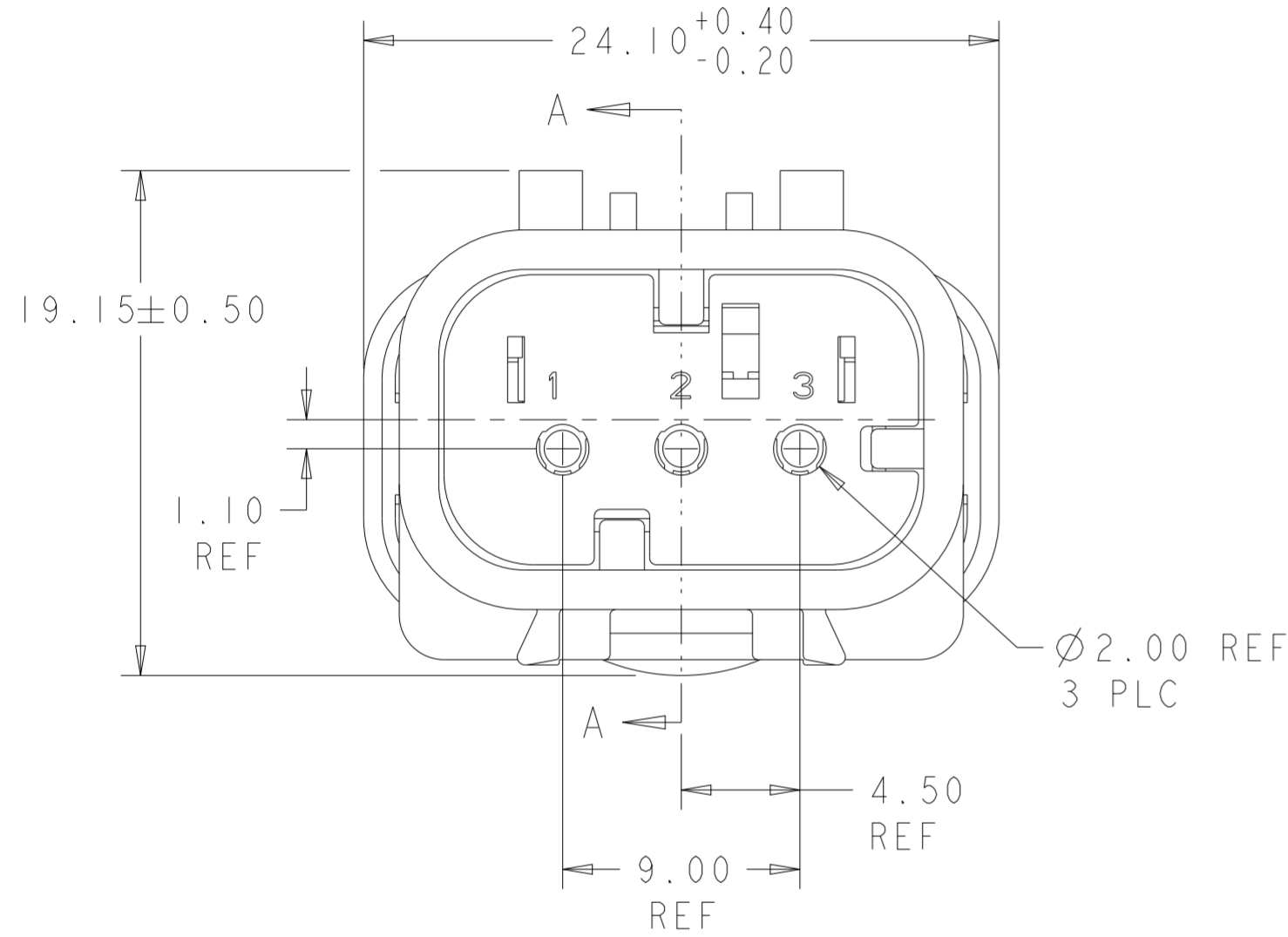


776430-3  
SCALE 2:1  
KEY C

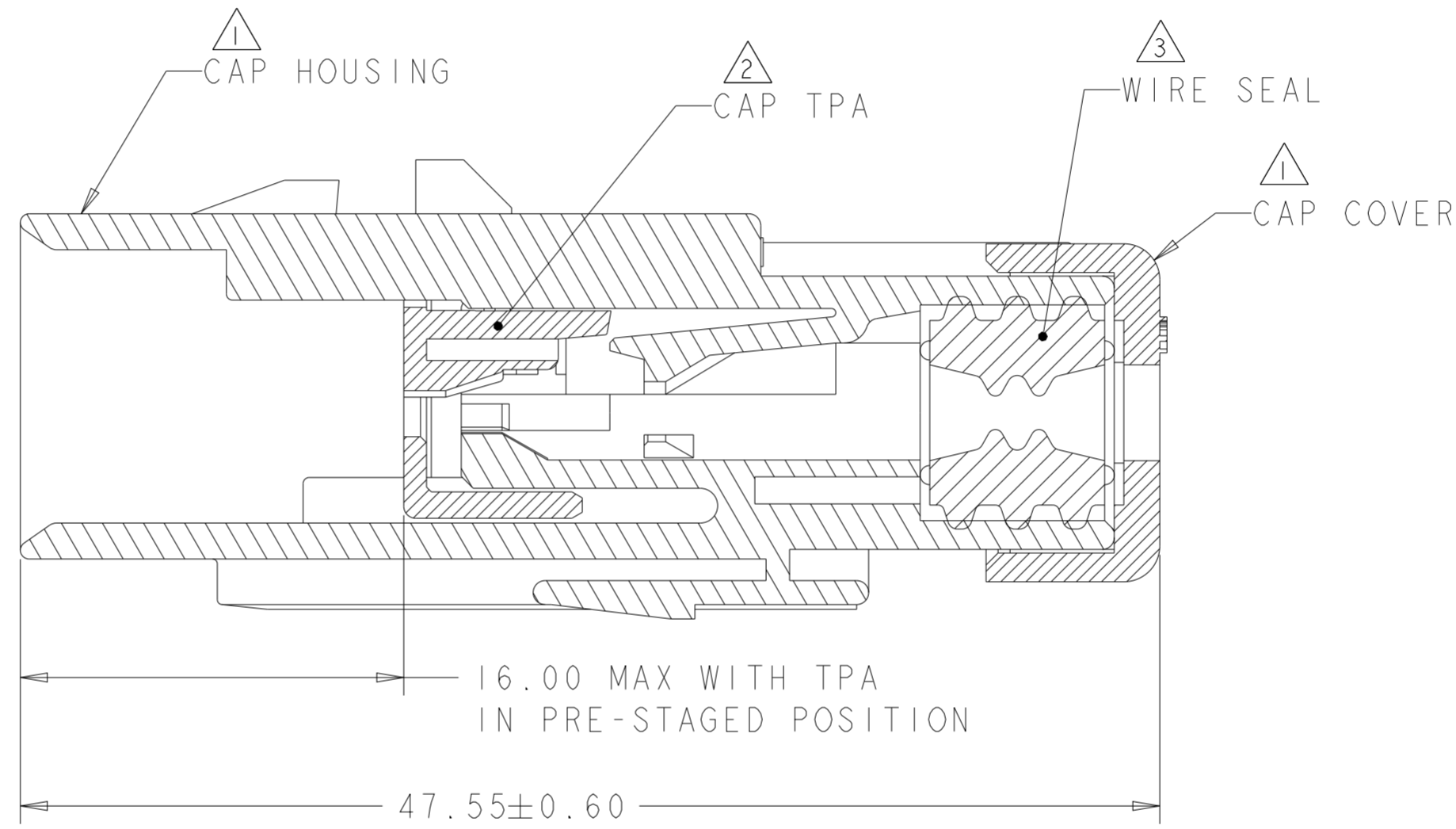


776430-4  
SCALE 2:1  
KEY D

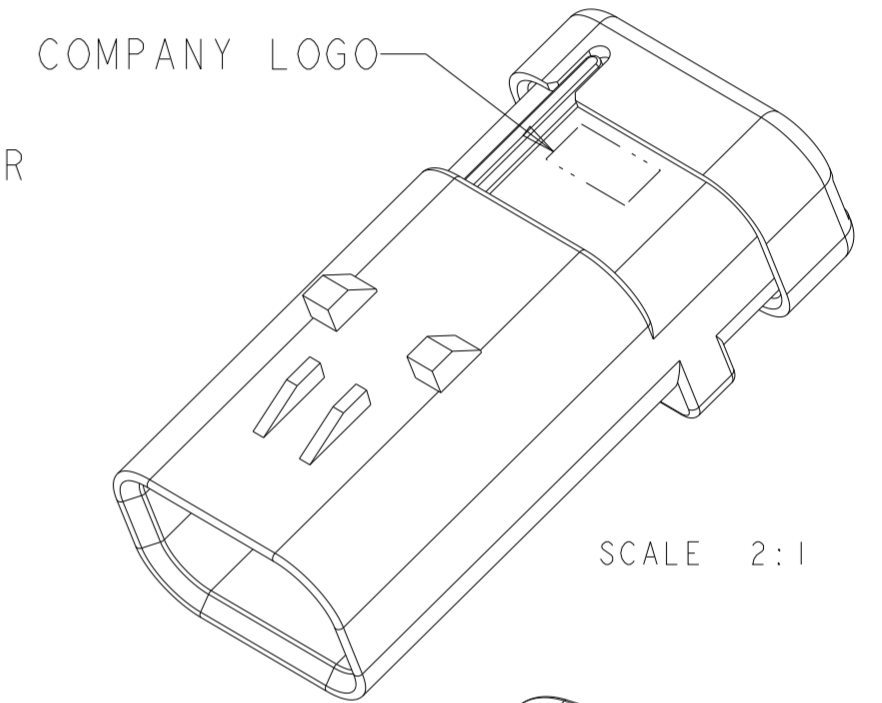
- 1 MATERIAL: 15% GLASS FILLED THERMOPLASTIC  
COLOR: BLACK
- 2 MATERIAL: 15% GLASS FILLED THERMOPLASTIC  
COLOR: (SEE TABLE)
- 3 MATERIAL: SILICONE  
COLOR: GREEN
- 4. RECOMMENDED WIRE DIAMETER RANGE IS 2.18 TO 3.67mm.



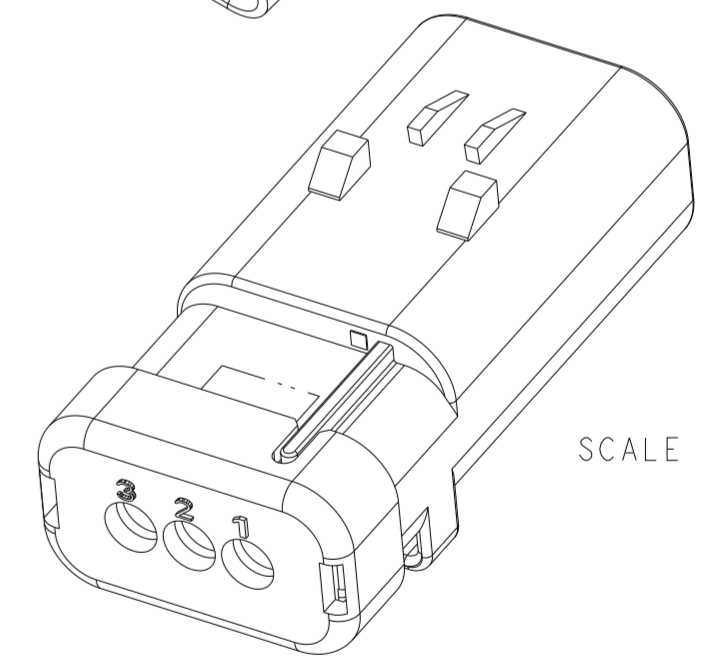
776430-1 SHOWN  
KEY A



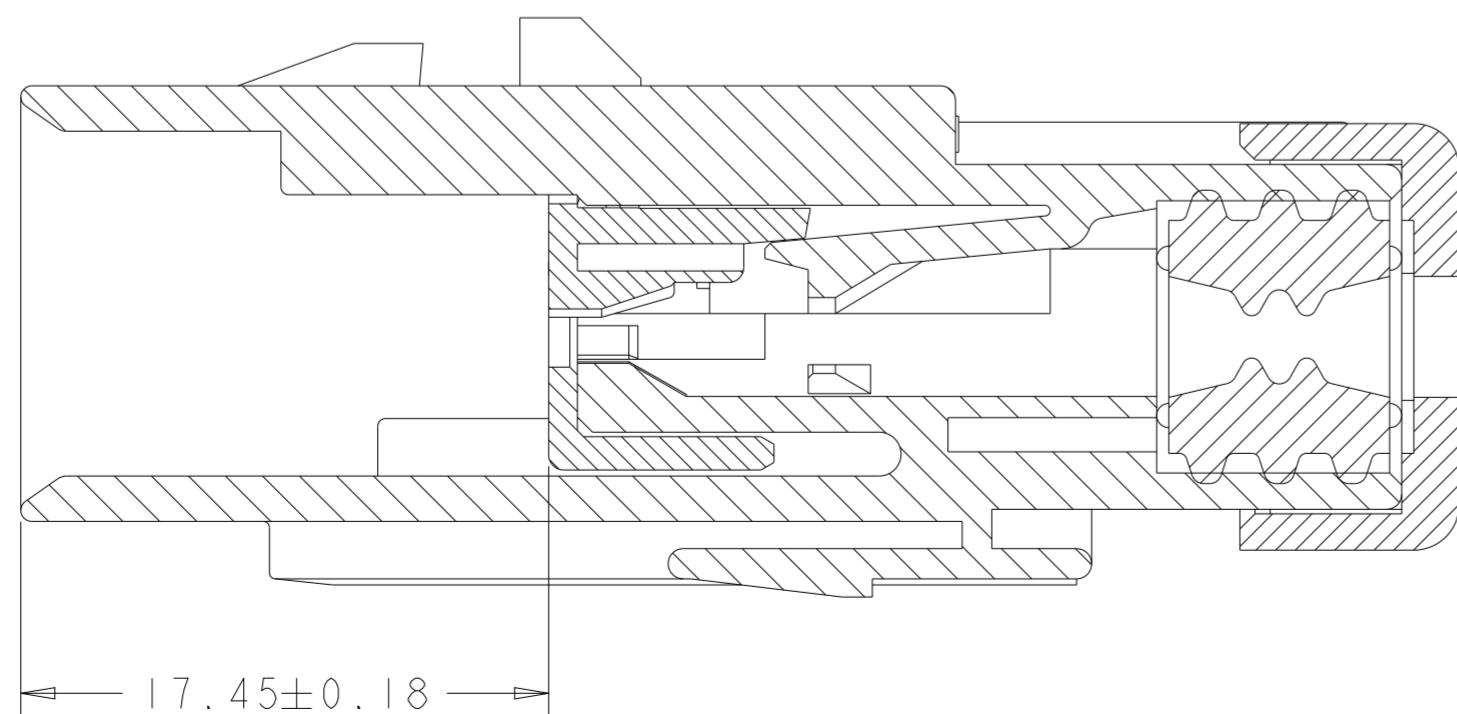
SECTION A-A



SCALE 2:1



SCALE 2:1



SECTION A-A  
WITH TPA IN CLOSED POSITION

D	GREEN	776430-4
C	YELLOW	776430-3
B	GRAY	776430-2
A	RED	776430-1
KEY	TPA COLOR	PART NUMBER

THIS DRAWING IS A CONTROLLED DOCUMENT.		DWN Y. PETERSON 22FEB00	TE Connectivity	
DIMENSIONS: mm		CHK R. GREINER 11DEC01		
TOLERANCES UNLESS OTHERWISE SPECIFIED:		APVD M. TRULL 11DEC01	NAME CAP ASSEMBLY, 3 POSITION, SINGLE ROW, AMPSEAL 16	
0 PLC ±		PRODUCT SPEC 108-2184	SIZE A2	CAGE CODE 00779
1 PLC ±		APPLICATION SPEC 114-13065	DRAWING NO C-776430	RESTRICTED TO -
2 PLC ±		WEIGHT 10	SCALE 4:1	SHEET 1
3 PLC ±		Customer Drawing	REV E1	
4 PLC ±				
ANGLES ±				
FINISH -				