

M 776430-3K



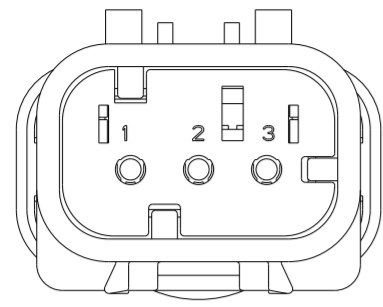
MINIKIT

Proseguire nella pagina successiva per visualizzare la scheda tecnica dei componenti

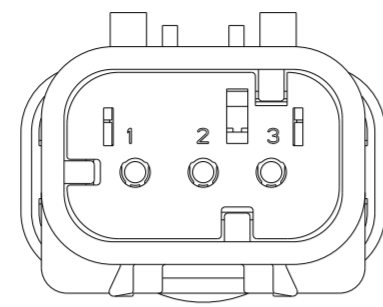
Revisione	Prodotto
REV.00 16/04/2026	OEM

THIS DRAWING IS UNPUBLISHED. RELEASED FOR PUBLICATION
 © COPYRIGHT 20 BY - ALL RIGHTS RESERVED.

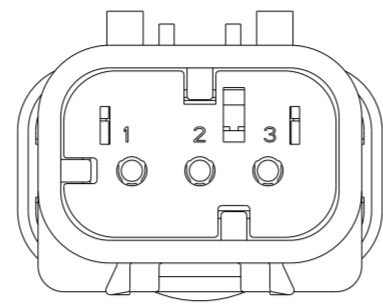
REVISIONS				
P	LTR	DESCRIPTION	DATE	APVD
E		REVISED PER ECO-13-019095	05DEC2013	DR RB
EI		REVISED PER PCN-23-190965	31OCT2023	AP CB



776430-2
SCALE 2:1
KEY B

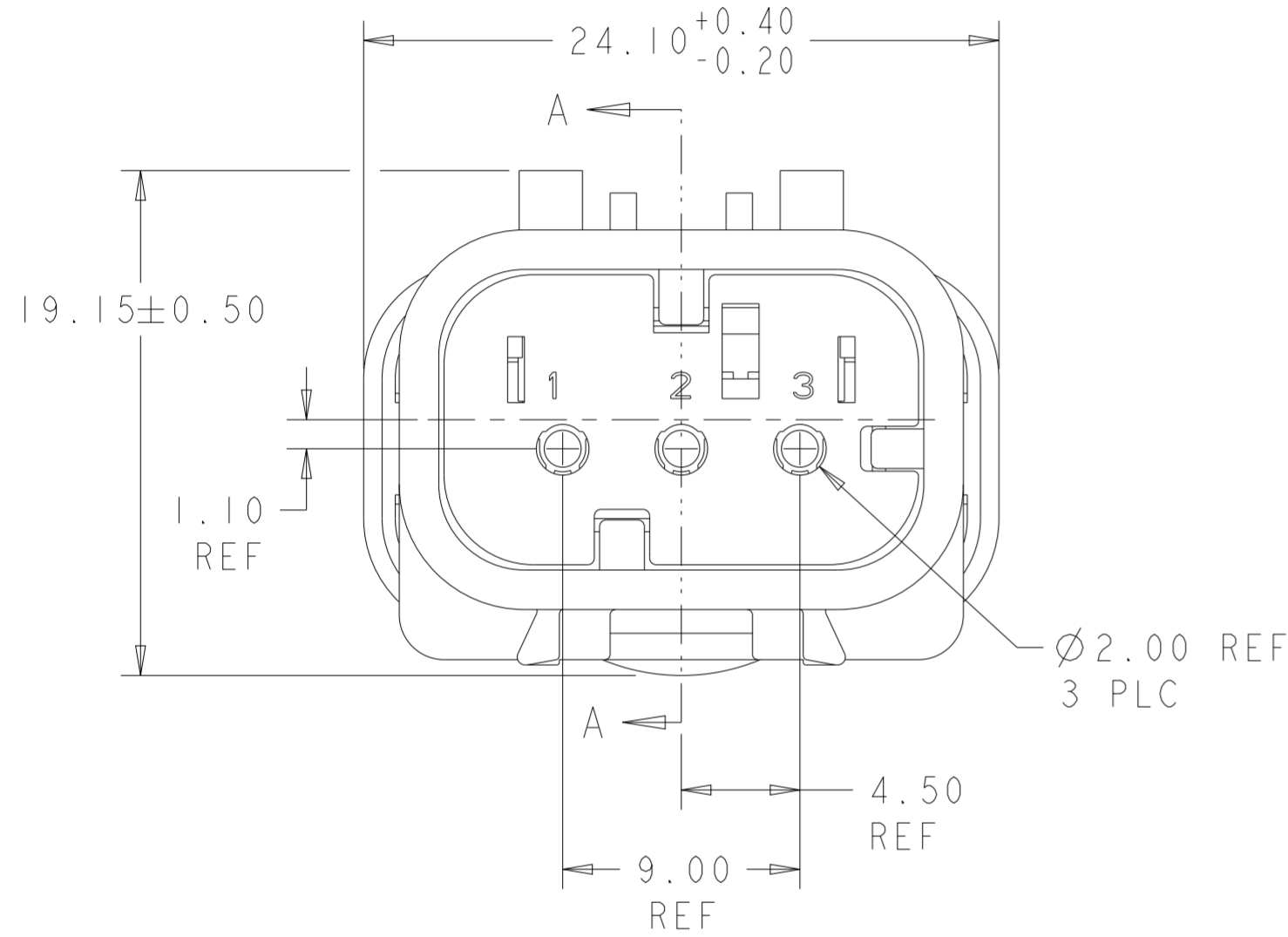


776430-3
SCALE 2:1
KEY C

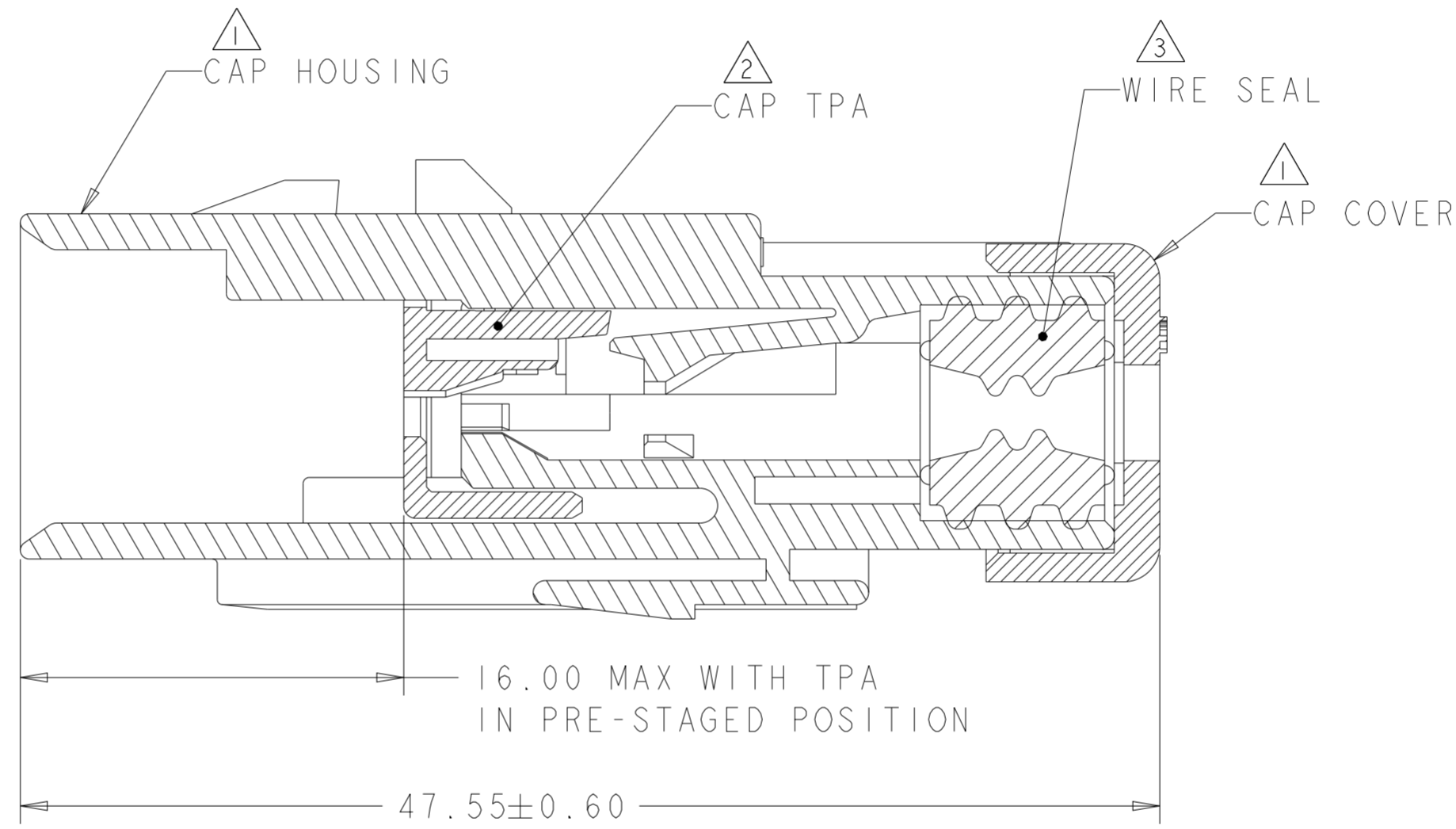


776430-4
SCALE 2:1
KEY D

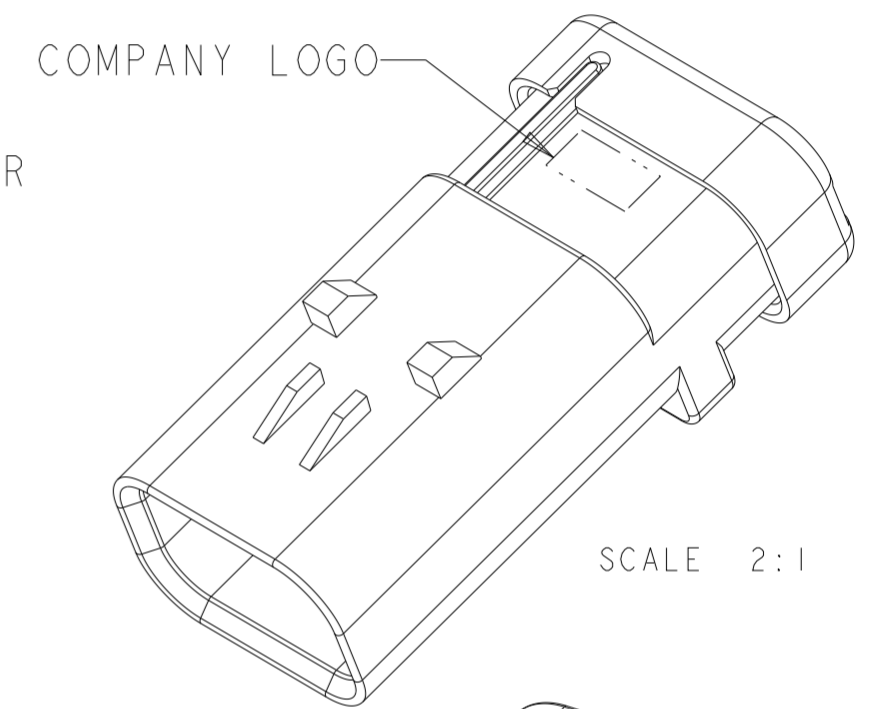
- 1 MATERIAL: 15% GLASS FILLED THERMOPLASTIC
COLOR: BLACK
- 2 MATERIAL: 15% GLASS FILLED THERMOPLASTIC
COLOR: (SEE TABLE)
- 3 MATERIAL: SILICONE
COLOR: GREEN
- 4. RECOMMENDED WIRE DIAMETER RANGE IS 2.18 TO 3.67mm.



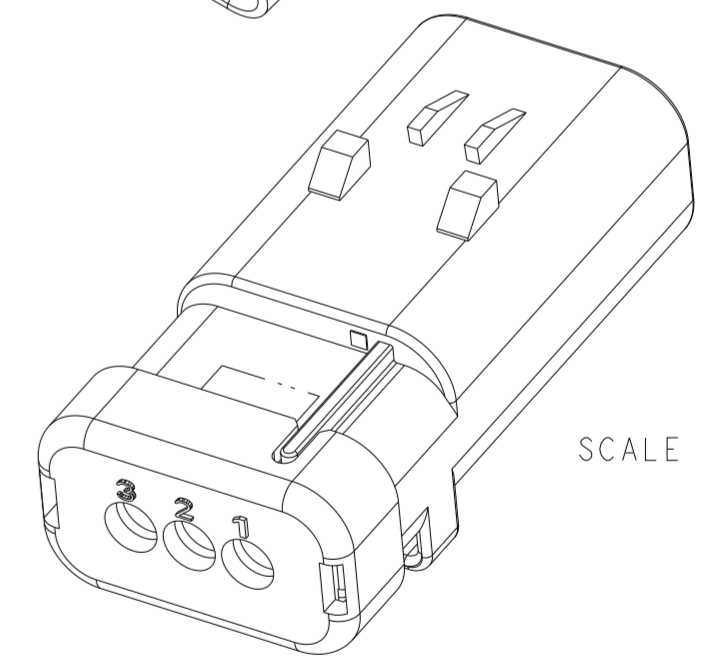
776430-1 SHOWN
KEY A



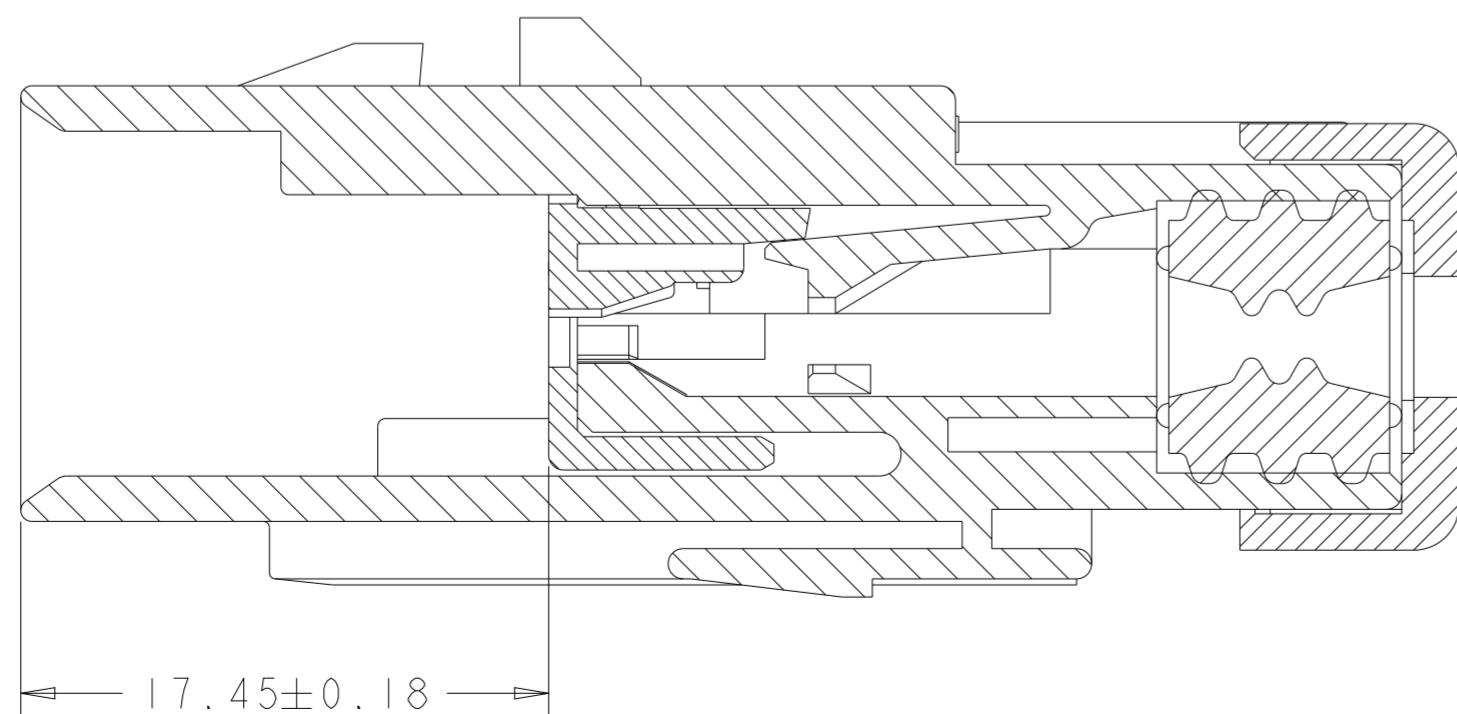
SECTION A-A



SCALE 2:1



SCALE 2:1



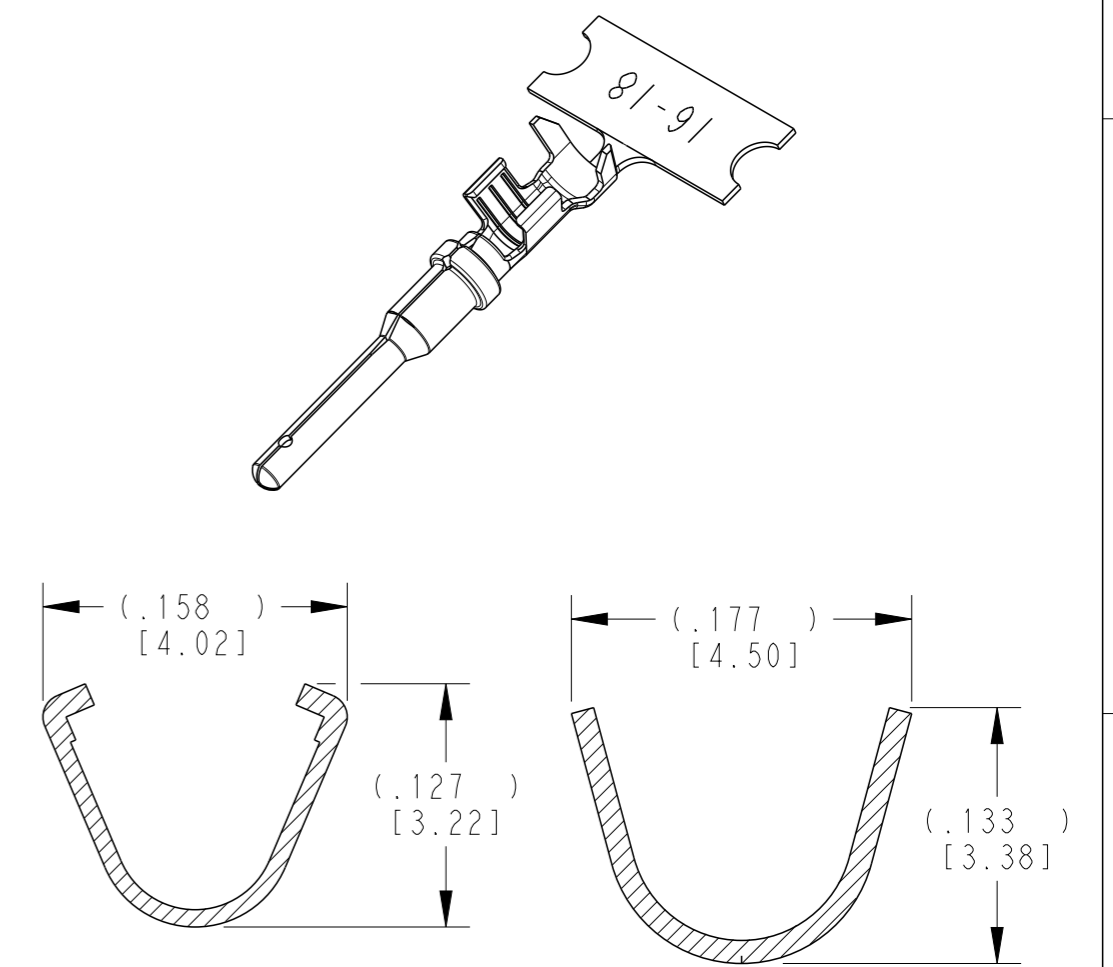
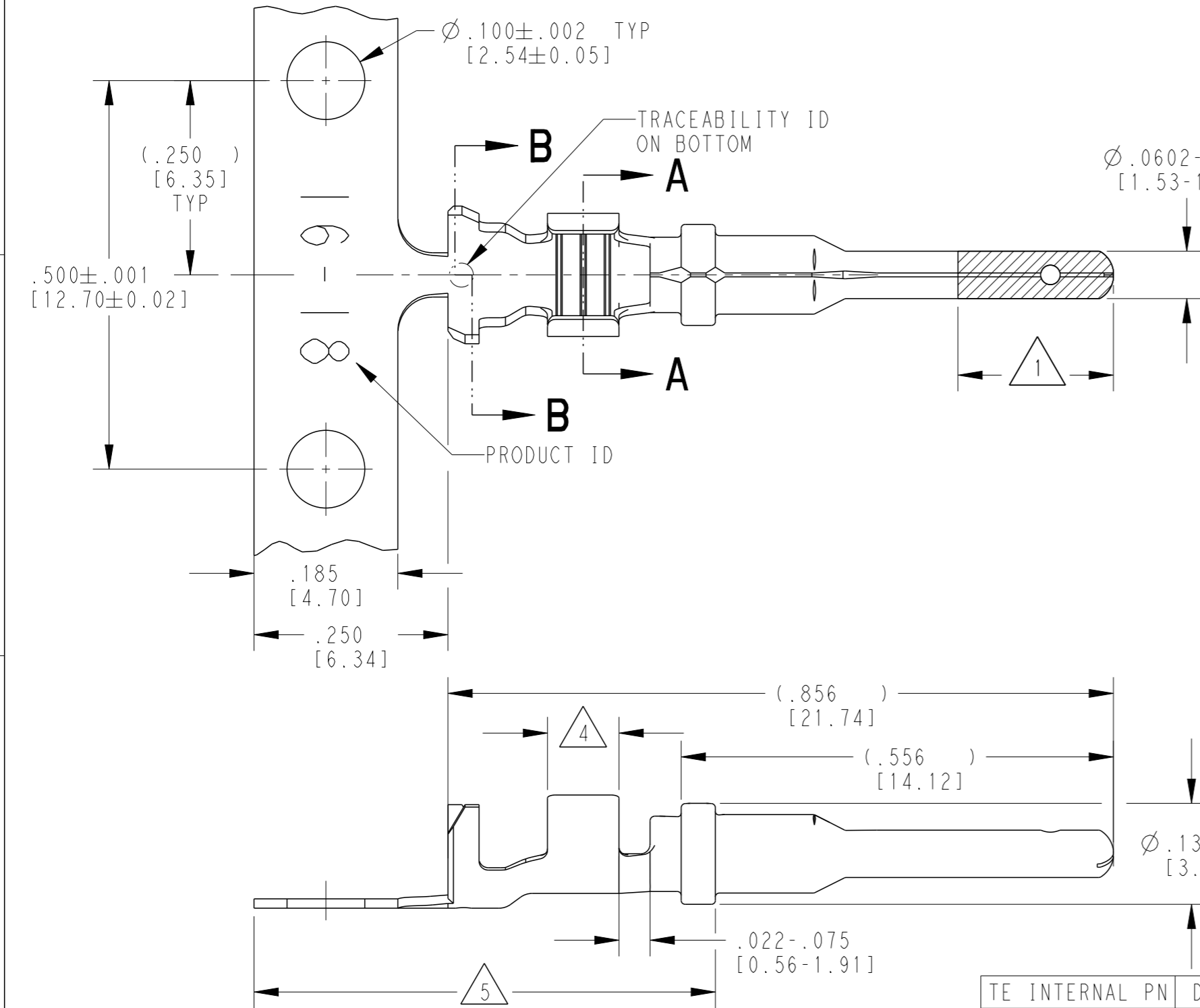
SECTION A-A
WITH TPA IN CLOSED POSITION

D	GREEN	776430-4
C	YELLOW	776430-3
B	GRAY	776430-2
A	RED	776430-1
KEY	TPA COLOR	PART NUMBER

THIS DRAWING IS A CONTROLLED DOCUMENT.		DWN Y. PETERSON	22FEB00	TE Connectivity	
DIMENSIONS: mm		CHK R. GREINER	11DEC01		
TOLERANCES UNLESS OTHERWISE SPECIFIED:		APVD M. TRULL	11DEC01	NAME CAP ASSEMBLY, 3 POSITION, SINGLE ROW, AMPSEAL 16	
0 PLC ±		PRODUCT SPEC	108-2184	SIZE	RESTRICTED TO
1 PLC ±		APPLICATION SPEC	114-13065	CAGE CODE	A200779
2 PLC ±		WEIGHT	10	DRAWING NO	
3 PLC ±		Customer Drawing	SCALE 4:1	SHEET	OF
4 PLC ±				REV	EI
ANGLES ±					
FINISH					

THIS DRAWING IS UNPUBLISHED
 RELEASED FOR PUBLICATION
 2020
 © COPYRIGHT 2020 BY TE CONNECTIVITY ALL RIGHTS RESERVED.

LOC	DIST	REVISIONS			
P	LTR	DESCRIPTION	DATE	DWN	APVD
	K	REVISED PER PCN E-20-008101	12JUN2020	DM	DM
	L	REVISED PER PCN-21-121539	08DEC2021	MK	DM
	L1	REVISED PER PCN-21-121539	04FEB2022	MK	DM
	L2	REVISED PER PCN-25-234384	30JAN2025	RK	CB



- △5 TIN PLATING MAY BE IN THIS REGION.
 - △4 TIN PLATED REGION.
 - △3 MATERIAL: .012 [0.30] THICK COPPER ALLOY
 - 2. WIRE RANGE: 18 AWG TO 14 AWG [$0.75 - 2.0$ mm²]
INSULATION RANGE: $\phi .075 - .140$ [$\phi 1.91 - 3.56$]
 - △1 GOLD PLATED REGION.
- NOTES: UNLESS OTHERWISE SPECIFIED

TE INTERNAL PN	DEUTSCH PN	REV	PLATING
1060-16-0122	1060-16-0122	S	Ni/Cu overall, Sn/Ni/Cu Wire Barrel
1060-16-0144	1060-16-0144	S	Selective Au, Ni/Cu overall, Sn/Ni/Cu Wire Barrel
1060-16-0177	1060-16-0177	S	Sn/Ni/Cu overall

THIS DRAWING IS A CONTROLLED DOCUMENT.

DWN M. BLUM 04NOV1999
 CHK A. ROLINSKI 08DEC2000
 APVD R. REED 08DEC2000

TE Connectivity

NAME: PIN, STAMPED CONTACT
 SIZE 16
 14-18 AWG, .075-.140 INS

PRODUCT SPEC: 108-151000
 APPLICATION SPEC: 114-151000

WEIGHT: 0.33 g

SIZE: A3 CAGE CODE: 4AFU8 DRAWING NO: C=1060-16-01XX RESTRICTED TO: -

Customer Drawing SCALE: 6:1 SHEET 1 OF 1 REV: L2