

M 776434-3K



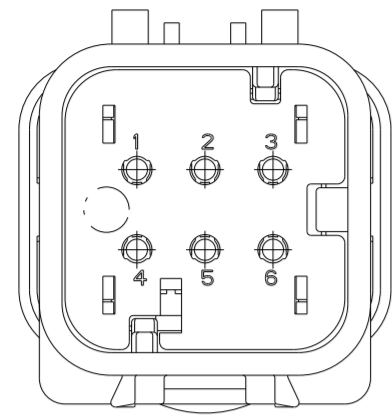
MINIKIT

Proseguire nella pagina successiva per visualizzare la scheda tecnica dei componenti

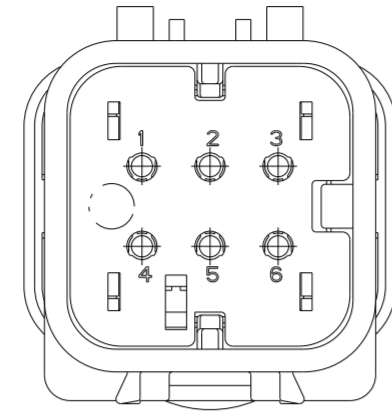
Revisione	Prodotto
REV.00 24/04/2026	OEM

THIS DRAWING IS UNPUBLISHED. RELEASED FOR PUBLICATION
 © COPYRIGHT 20 BY - ALL RIGHTS RESERVED.

REVISIONS				
P	LTR	DESCRIPTION	DATE	APVD
C2		REVISED PER ECO-11-005030	12MAR2011	RK HMR
D		REVISED PER ECO-13-019168	05DEC2013	DR RB
D1		REVISED PER PCN-23-190965	31OCT2023	AP CB

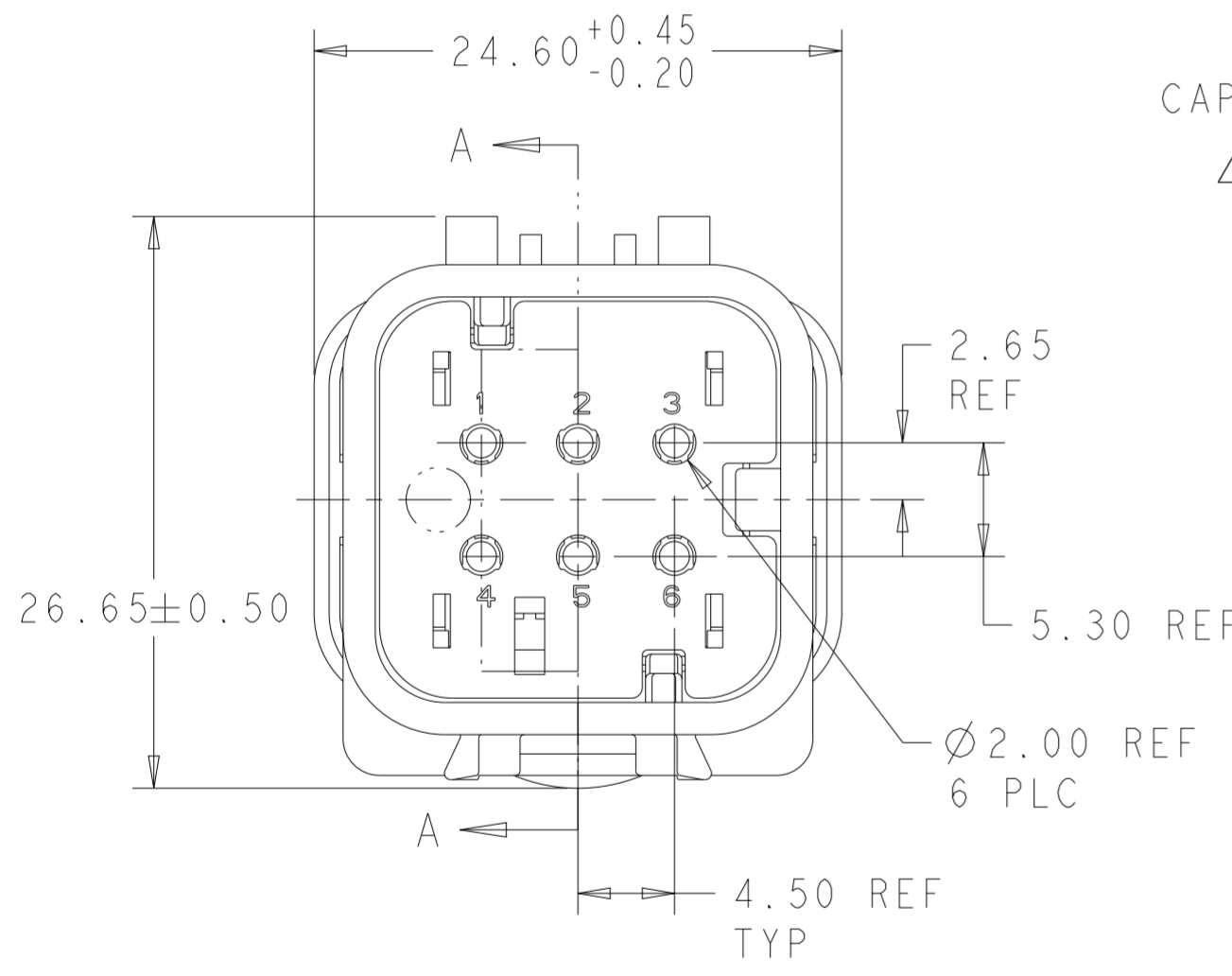


776434-2
SCALE 2:1

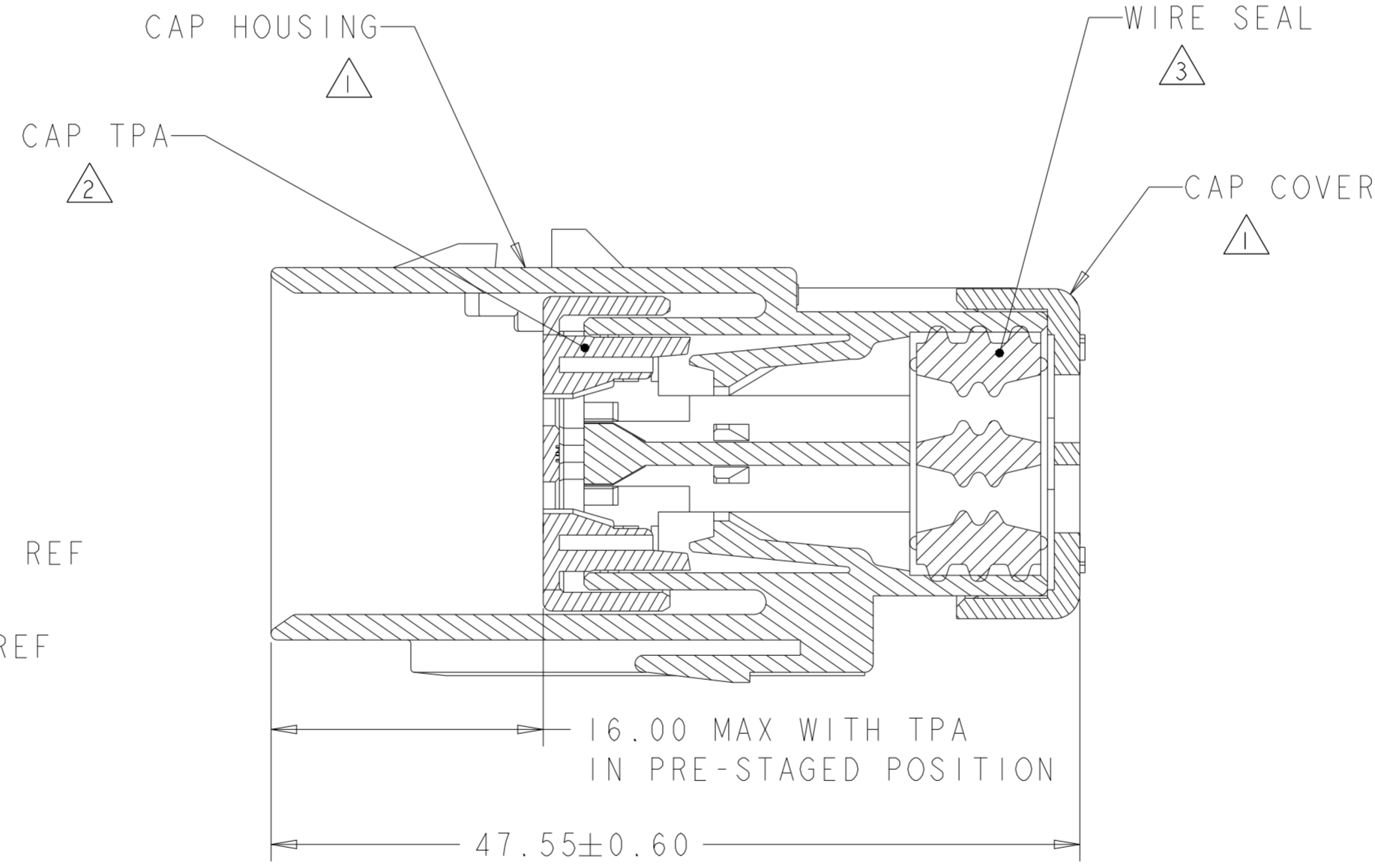


776434-3
SCALE 2:1

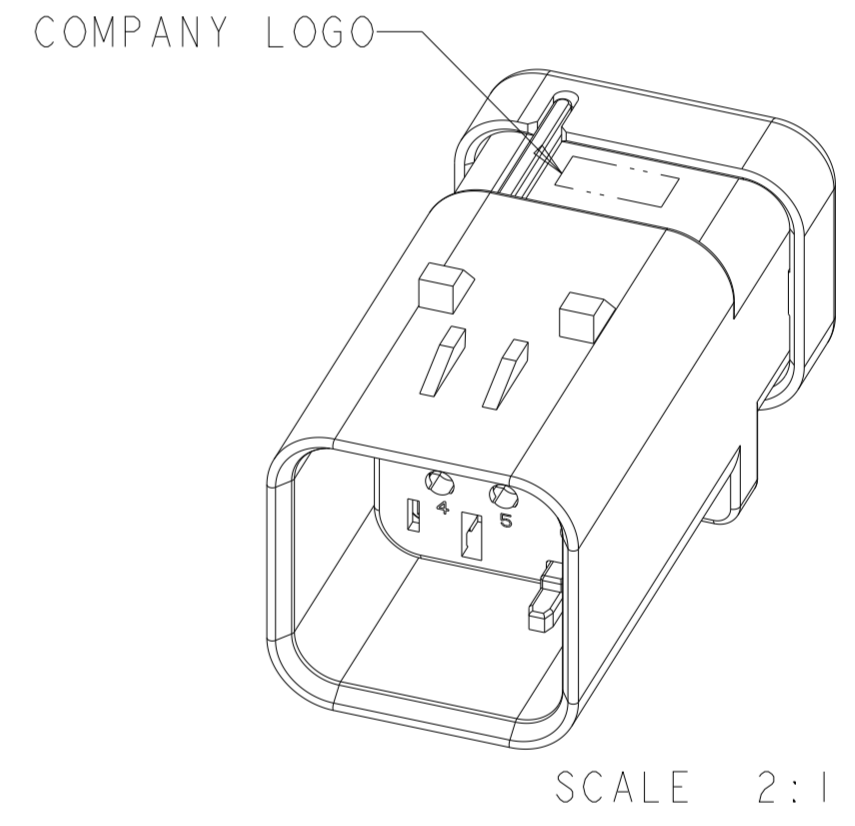
- ① MATERIAL: 15% GLASS FILLED THERMOPLASTIC
COLOR: BLACK
- ② MATERIAL: 15% GLASS FILLED THERMOPLASTIC
COLOR: (SEE TABLE)
- ③ MATERIAL: SILICONE
COLOR: MARINE BLUE



776434-1 SHOWN



SECTION A-A

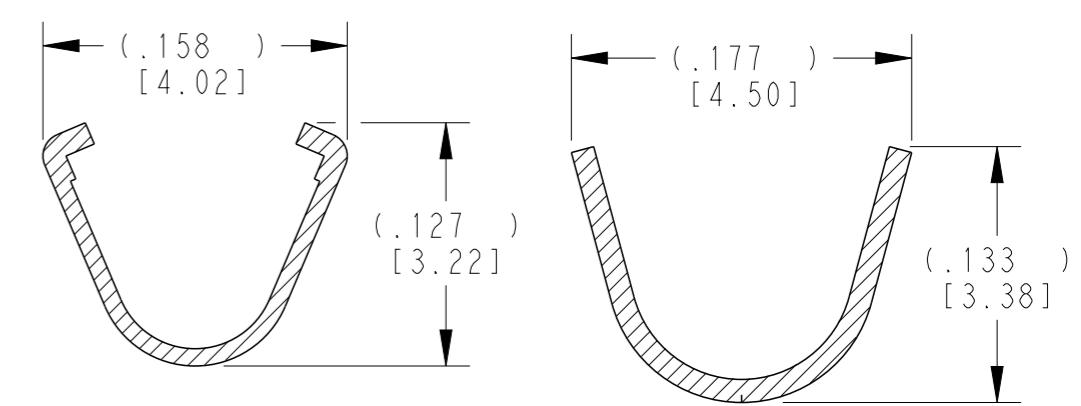
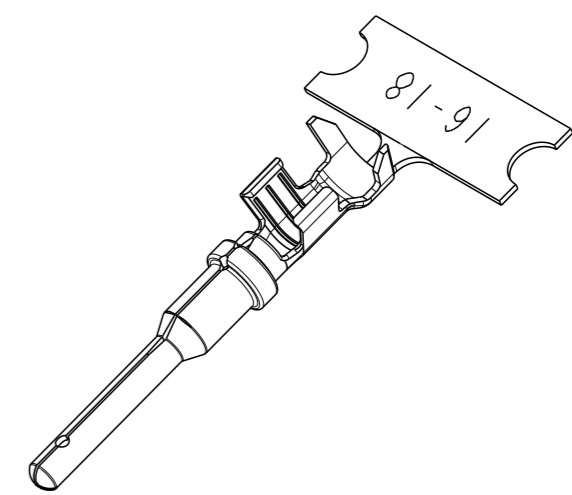
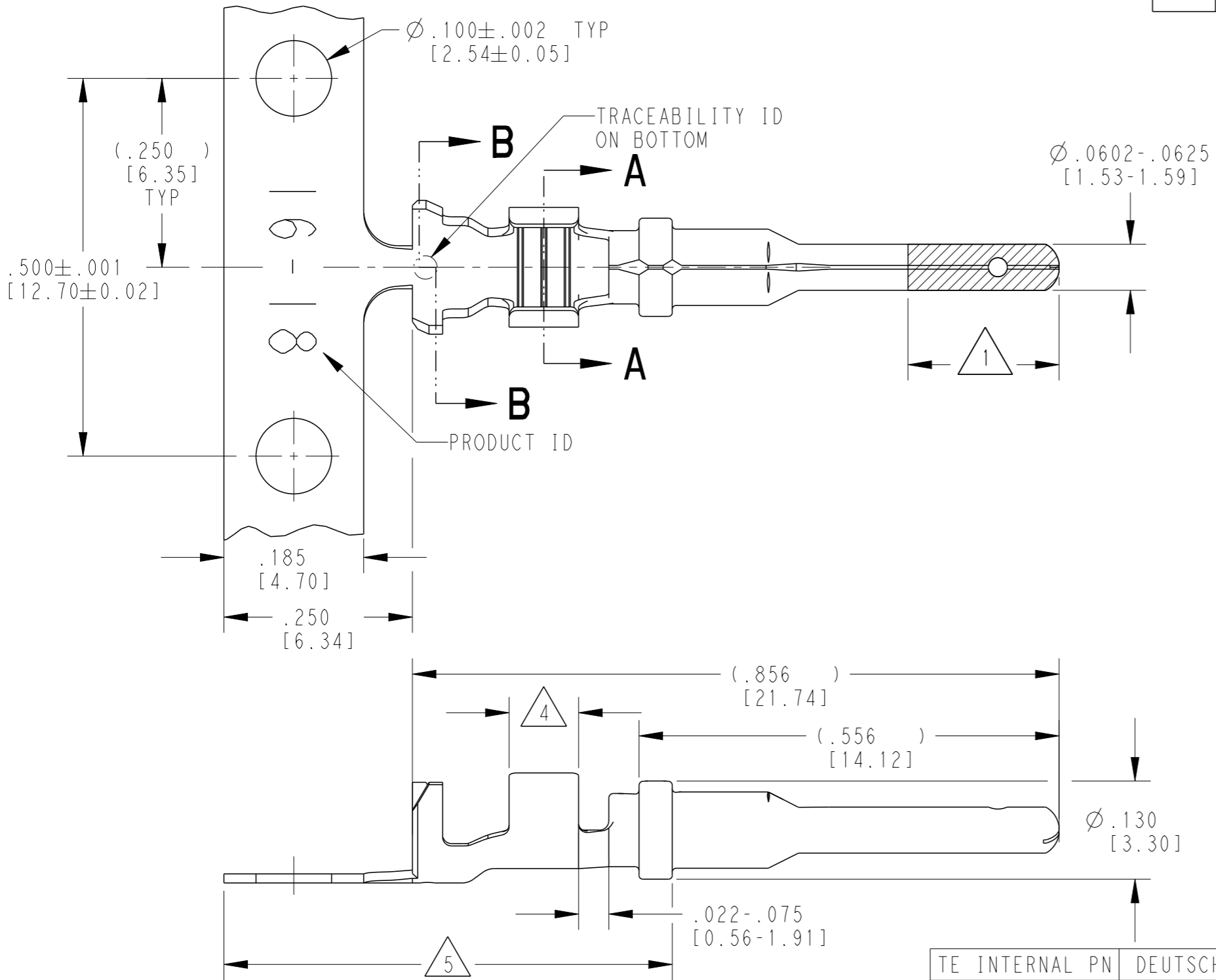


SCALE 2:1

YELLOW	776434-3
GRAY	776434-2
RED	776434-1
TPA COLOR	PART NUMBER

THIS DRAWING IS A CONTROLLED DOCUMENT.		DWN AJ GRAFF 13JUN00	STE TE Connectivity	
DIMENSIONS: mm		CHK R GREINER 03JAN02		
TOLERANCES UNLESS OTHERWISE SPECIFIED:		APVD M. TRULL 03JAN02	NAME CAP ASSEMBLY, 6 POSITION, DUAL ROW, AMPSEAL 16	
0 PLC ±		PRODUCT SPEC 108-2184	SIZE A2	CAGE CODE 00779
1 PLC ±		APPLICATION SPEC 114-13065	DRAWING NO C-776434	RESTRICTED TO -
2 PLC ±		WEIGHT 15.5	SCALE 2:1	SHEET 1
3 PLC ±		Customer Drawing	OF 1	REV D1
4 PLC ±				
ANGLES ±				
FINISH				

LOC	DIST	REVISIONS			
P	LTR	DESCRIPTION	DATE	DWN	APVD
	K	REVISED PER PCN E-20-008101	12JUN2020	DM	DM
	L	REVISED PER PCN-21-121539	08DEC2021	MK	DM
	L1	REVISED PER PCN-21-121539	04FEB2022	MK	DM
	L2	REVISED PER PCN-25-234384	30JAN2025	RK	CB



SECTION A-A WIRE BARREL
SECTION B-B INSULATION BARREL

- △5 TIN PLATING MAY BE IN THIS REGION.
 - △4 TIN PLATED REGION.
 - △3 MATERIAL: .012 [0.30] THICK COPPER ALLOY
 - 2. WIRE RANGE: 18 AWG TO 14 AWG [0.75-2.0 mm²]
INSULATION RANGE: Ø.075-.140 [Ø1.91-3.56]
 - △1 GOLD PLATED REGION.
- NOTES: UNLESS OTHERWISE SPECIFIED

TE INTERNAL PN	DEUTSCH PN	REV	PLATING
1060-16-0122	1060-16-0122	S	Ni/Cu overall, Sn/Ni/Cu Wire Barrel
1060-16-0144	1060-16-0144	S	Selective Au, Ni/Cu overall, Sn/Ni/Cu Wire Barrel
1060-16-0177	1060-16-0177	S	Sn/Ni/Cu overall

THIS DRAWING IS A CONTROLLED DOCUMENT.		DWN M. BLUM 04NOV1999	STE TE Connectivity		
DIMENSIONS: INCHES [mm]		CHK A. ROLINSKI 08DEC2000			
TOLERANCES UNLESS OTHERWISE SPECIFIED:		APVD R. REED 08DEC2000	NAME PIN, STAMPED CONTACT SIZE 16 14-18 AWG, .075-.140 INS		
0 PLC ± 1 PLC ± 2 PLC ± 3 PLC ±.025 [0.64] 4 PLC ± ANGLES ±		PRODUCT SPEC 108-151000	SIZE A3	CAGE CODE 4AFU8	DRAWING NO C=1060-16-01XX
MATERIAL △3		APPLICATION SPEC 114-151000	RESTRICTED TO -	SCALE 6:1	
FINISH SEE TABLE		WEIGHT 0.33 g	SHEET 1 OF 1		REV L2
		Customer Drawing			